

US00D968640S

(12) **United States Design Patent** (10) **Patent No.:** **US D968,640 S**
VanderWoude et al. (45) **Date of Patent:** **** Nov. 1, 2022**

(54) **PHARMACEUTICAL WASTE DISPOSAL ASSEMBLY**

FOREIGN PATENT DOCUMENTS

(71) Applicant: **Stryker Corporation**, Kalamazoo, MI (US)

AU 2003222626 A1 11/2003
AU 2003230989 A1 11/2003
(Continued)

(72) Inventors: **Brian James VanderWoude**, Portage, MI (US); **Bryan Matthew Ulmer**, Grand Rapids, MI (US); **Dennis Meyer**, Augusta, MI (US); **Lucas Wade**, Austin, TX (US); **Stephen Myers**, Austin, TX (US); **Logan Castillo**, Georgetown, TX (US); **Heather Benoit**, Austin, TX (US)

OTHER PUBLICATIONS

“RX Destroyer Advertisement”, 2017, 1 page.
(Continued)

(73) Assignee: **Stryker Corporation**, Kalamazoo, MI (US)

Primary Examiner — Charles D Hanson
(74) *Attorney, Agent, or Firm* — Howard & Howard Attorneys PLLC

(**) Term: **15 Years**

(57) **CLAIM**
The ornamental design for a pharmaceutical waste disposal assembly, as shown and described.

(21) Appl. No.: **29/674,956**

(22) Filed: **Dec. 27, 2018**

(51) **LOC (13) Cl.** **24-04**

(52) **U.S. Cl.**
USPC **D24/217**

(58) **Field of Classification Search**
USPC D24/131, 232
CPC . A61B 19/00; A61B 19/02; B65F 1/04; B65F 1/06

See application file for complete search history.

DESCRIPTION

FIG. 1 is a top, front right perspective view of a pharmaceutical waste disposal assembly;
FIG. 2 is a top, front left perspective view thereof;
FIG. 3 is a bottom, front right perspective view thereof;
FIG. 4 is a bottom, front left perspective view thereof
FIG. 5 is a top, rear right perspective view thereof;
FIG. 6 is a top, rear left perspective view thereof;
FIG. 7 is a bottom, rear right perspective view thereof;
FIG. 8 is a bottom, rear left perspective view thereof;
FIG. 9 is a front end view thereof;
FIG. 10 is a rear end view thereof;
FIG. 11 is a top plan view thereof;
FIG. 12 is a bottom plan view thereof;
FIG. 13 is a right side elevational view thereof; and,
FIG. 14 is a left side elevational view thereof.

In the drawings, the broken lines show unclaimed portions of the pharmaceutical waste disposal assembly that form no part of the claimed design. The broken lines between the left and right sides of the design represent unclaimed ornamentation that form no part of the claimed design.

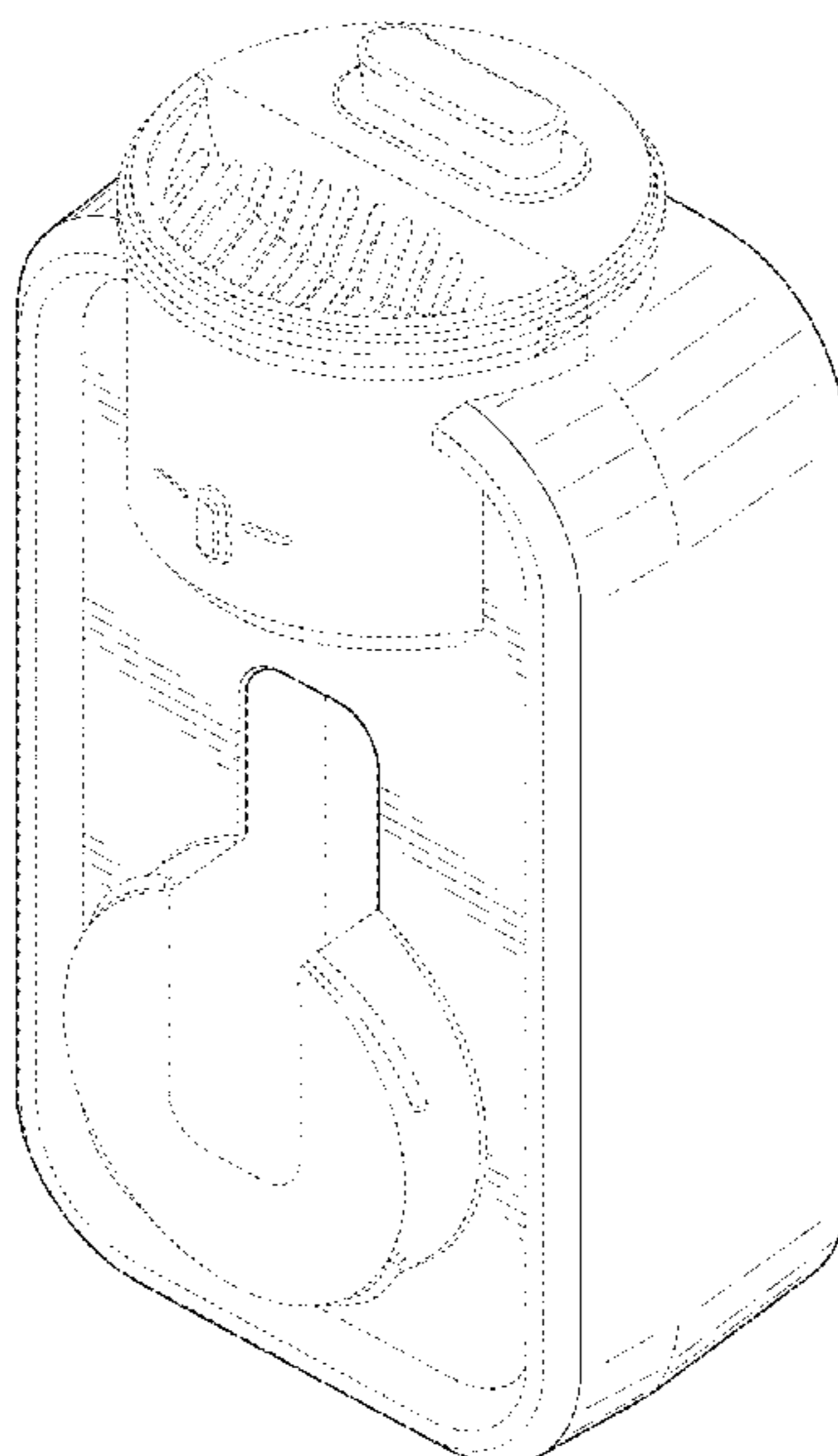
(56) **References Cited**

U.S. PATENT DOCUMENTS

3,223,619 A 12/1965 Calmon et al.
4,886,164 A 12/1989 Stein et al.
4,913,309 A * 4/1990 Fink A61B 50/36
220/495.11

(Continued)

1 Claim, 13 Drawing Sheets



(56)

References Cited

U.S. PATENT DOCUMENTS

4,940,134 A 7/1990 Aoki et al.
 5,080,251 A 1/1992 Noack
 5,097,950 A * 3/1992 Weiss A61B 50/36
 220/495.07
 D330,765 S * 11/1992 Laws D24/131
 D334,805 S * 4/1993 Ivey D24/131
 5,235,795 A 8/1993 DeBusk
 5,454,953 A 10/1995 Waibel
 5,458,072 A 10/1995 Hughes et al.
 5,547,582 A 8/1996 Waibel
 5,799,591 A 9/1998 Anderson
 5,972,291 A 10/1999 Healy et al.
 6,830,662 B2 12/2004 Cha
 6,865,444 B2 3/2005 Howard
 6,878,285 B2 4/2005 Hughes
 7,186,344 B2 3/2007 Hughes
 7,201,841 B2 4/2007 Hughes
 7,588,686 B2 9/2009 Jensen
 7,867,511 B2 1/2011 Anderson et al.
 7,918,776 B2 4/2011 Day
 8,475,837 B2 7/2013 Anderson et al.
 8,535,711 B2 9/2013 Anderson et al.
 9,126,854 B2 9/2015 McGee et al.
 9,456,954 B2 * 10/2016 Maness A61B 90/98
 9,962,227 B2 * 5/2018 Slaateng B65F 1/1615
 10,524,873 B2 * 1/2020 Säll A61B 50/362
 10,940,513 B2 * 3/2021 VanderWoude A61B 50/39
 D922,605 S * 6/2021 Berkeley D24/217
 2004/0122554 A1 6/2004 Howard
 2005/0163717 A1 7/2005 Anderson et al.
 2005/0199558 A1 9/2005 Jensen
 2005/0263150 A1 12/2005 Chathampally et al.
 2006/0249465 A1 11/2006 Jin et al.
 2006/0289349 A1 12/2006 Hughes
 2015/0217346 A1 8/2015 Fowler et al.
 2016/0325322 A1 11/2016 Maness
 2017/0203138 A1 7/2017 Anderson et al.

FOREIGN PATENT DOCUMENTS

AU 2003236812 A1 1/2004
 CA 2527486 A1 1/2004
 CA 2554952 A1 8/2004
 CA 2538783 A1 3/2005
 EP 1519779 A1 4/2005
 EP 1638892 A2 3/2006
 EP 1680364 A1 7/2006
 EP 1720498 A2 11/2006
 JP S 63-107795 5/1988
 JP S63107795 A 5/1988
 JP H 08-84754 4/1996
 JP H08084754 A 4/1996
 JP H 09-192655 7/1997
 JP H09192655 A 7/1997
 JP H 10-263023 10/1998
 JP H10263023 A 10/1998
 JP 2005-537121 12/2005
 JP 2005537121 A 12/2005
 JP 2006-234371 9/2006
 JP 2006234371 A 9/2006
 JP 2007-518819 7/2007
 JP 2007518819 A 7/2007
 WO 0029311 A1 5/2000
 WO 2003089107 A1 10/2003
 WO 2003089119 A1 10/2003
 WO 2004002605 A1 1/2004

WO 2004071960 A2 8/2004
 WO 2005028378 A1 3/2005
 WO 2005070003 A2 8/2005
 WO 2005118036 A2 12/2005
 WO 2007051479 A1 5/2007
 WO 2019006346 A1 1/2019

OTHER PUBLICATIONS

C2R Global Manufacturing Inc., "RX Destroyer Review by Henry Nowicki, Appendices A through D", 2015, 6 pages.
 Derlet, Robert W. et al., "Activated Charcoal—Past, Present and Future", The Western Journal of Medicine, vol. 145, No. 4, Oct. 1986, pp. 493-496.
 Fowler, William et al., "Medsaway Activated Carbon: Retention of Pharmaceuticals Using the Toxicity Characteristic Leaching Procedure Extraction Solution", Verde Environmental Technologies Inc., Dec. 10, 2013, 6 pages.
 Fu, Heyun et al., "Adsorption fo Pharmaceuticals to Microporous Activated Carbon Treated with Potassium Hydroxide, Carbon Dioxide, and Steam", Journal of Environmental Quality, vol. 40, Nov.-Dec. 2011, pp. 1886-1894.
 Google, "RX Destroyer Product Line", 2017, 1 page.
 Herwadkar, Anushree et al., "Development of Disposal Systems for Deactivation of Unused/Residual/Expired Medications", Pharm Res., vol. 33, pp. 110-124.
 Nowicki, Henry, Ph.D., "Professional Analytical and Consulting Services, Inc. Sampel Analysis", 2015, 2 pages.
 Professional Analytical and Consulting Services, Inc., "Full GAED Characterization with Aqueous-Phase Comparisons for Sample EE-541", Feb. 22, 2015, pp. 1-16.
 Stericycle, Inc., Stericycle CSRX Stericycle Controlled Substance Waste RX Disposal System Users Guide, 2016, 6 pages.
 Stericycle, Inc., "Stericycle CSRX System Brochure—Background, Overview and Deactivation of Controlled Substances in Pill Form", 2016, 2 Pages.
 Stericycle, Inc., "Stericycle CSRX System Brochure—CSRX Container and Bracket Guide", 2016, 1 page.
 Stericycle, Inc., "Stericycle CSRX System Brochure—Safe and Secure", 2016, 2 Pages.
 Ternes, Thomas et al., "Removal of Pharmaceuticals During Drinking Water Treatment", Environ. Sci. Technol., vol. 36, 2002, pp. 3855-3863.
 Williams, Walker et al., "Quinclorac: Soil Behavior and Foliar vs. Root Absorption by Torpedograss (*Panicum repens*)", Weed Technology, vol. 18, Issue 3, Jul.-Sep. 2004, pp. 626-633.
 English language abstract for JPS 63-107795 extracted from espacenet.com database on Mar. 14, 2019, 2 pages.
 English language abstract and machine-assisted English translation for JPH 08-84754 extracted from espacenet.com database on Mar. 14, 2019, 16 pages.
 English language abstract and machine-assisted English translation for JPH 09-192655 extracted from espacenet.com database on Mar. 14, 2019, 17 pages.
 English language abstract and machine-assisted English translation for JPH 10-263023 extracted from espacenet.com database on Mar. 14, 2019, 10 pages.
 English language abstract for JP 2005-537121 extracted from espacenet.com database on Mar. 14, 2019, 2 pages.
 English language abstract and machine-assisted English translation for JP 2006-234371 extracted from espacenet.com database on Mar. 14, 2019, 14 pages.
 English language abstract for JP 2007-518819 extracted from espacenet.com database on Mar. 14, 2019, 1 page.

* cited by examiner

FIG. 1

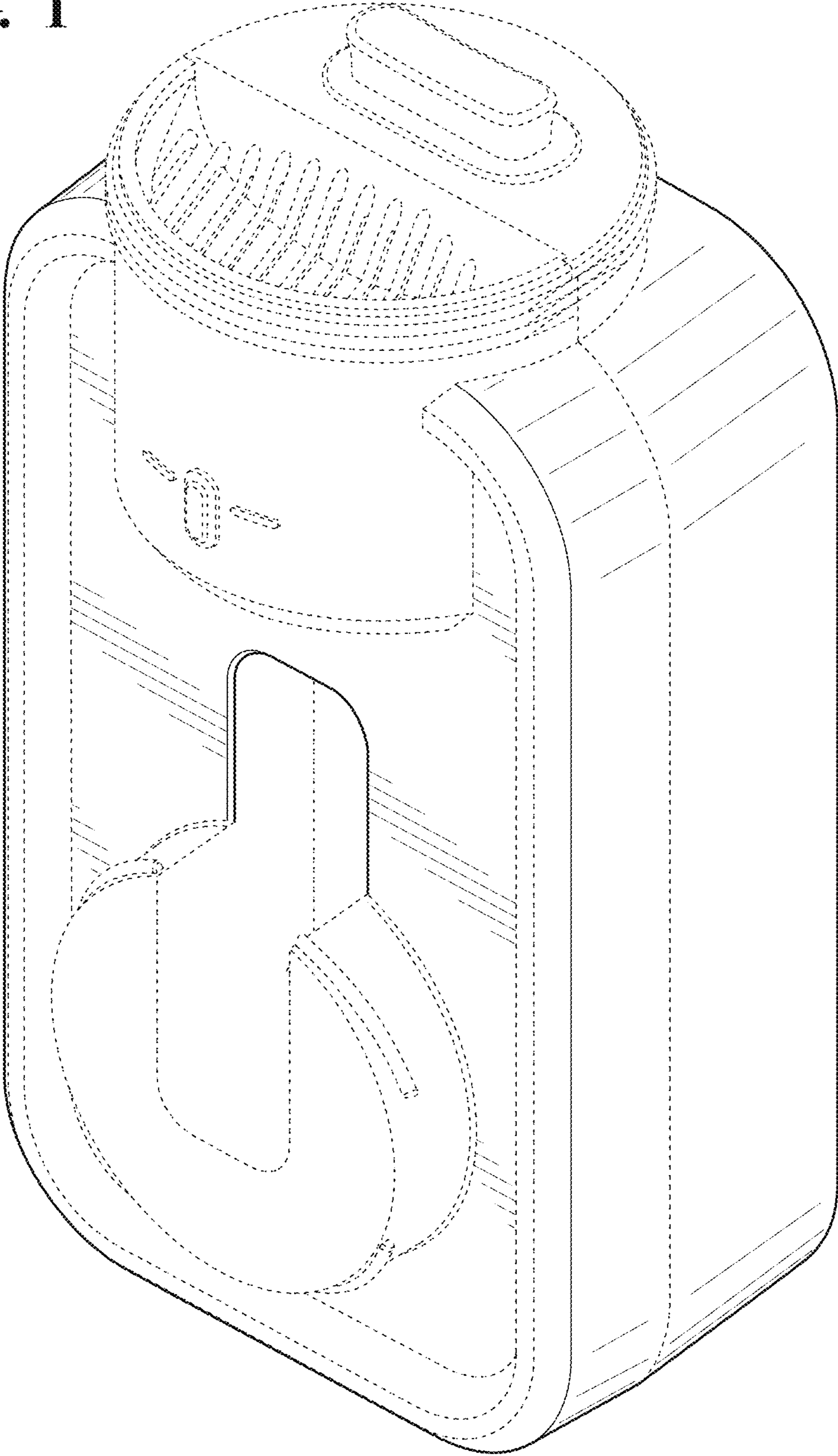


FIG. 2

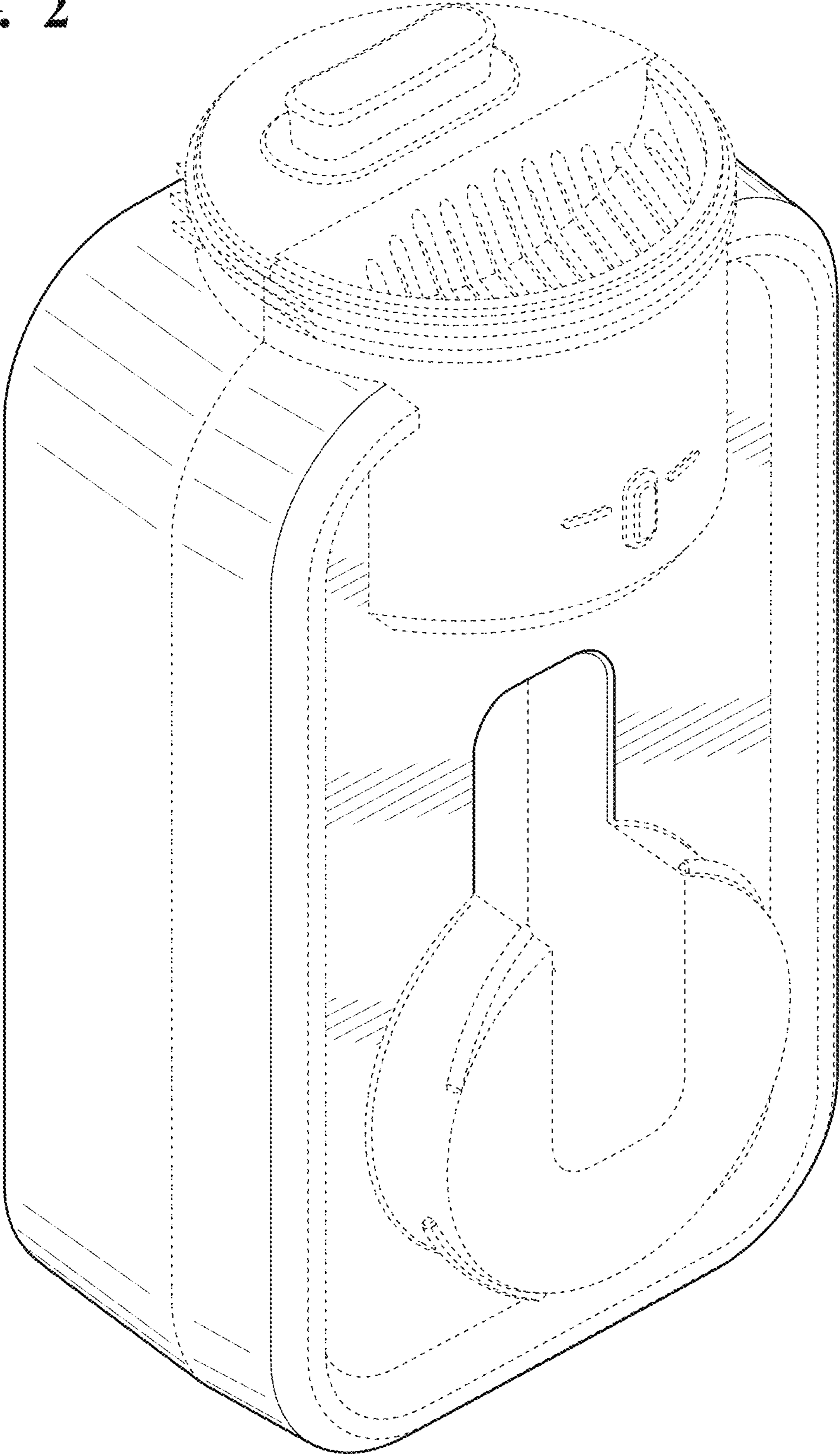


FIG. 3

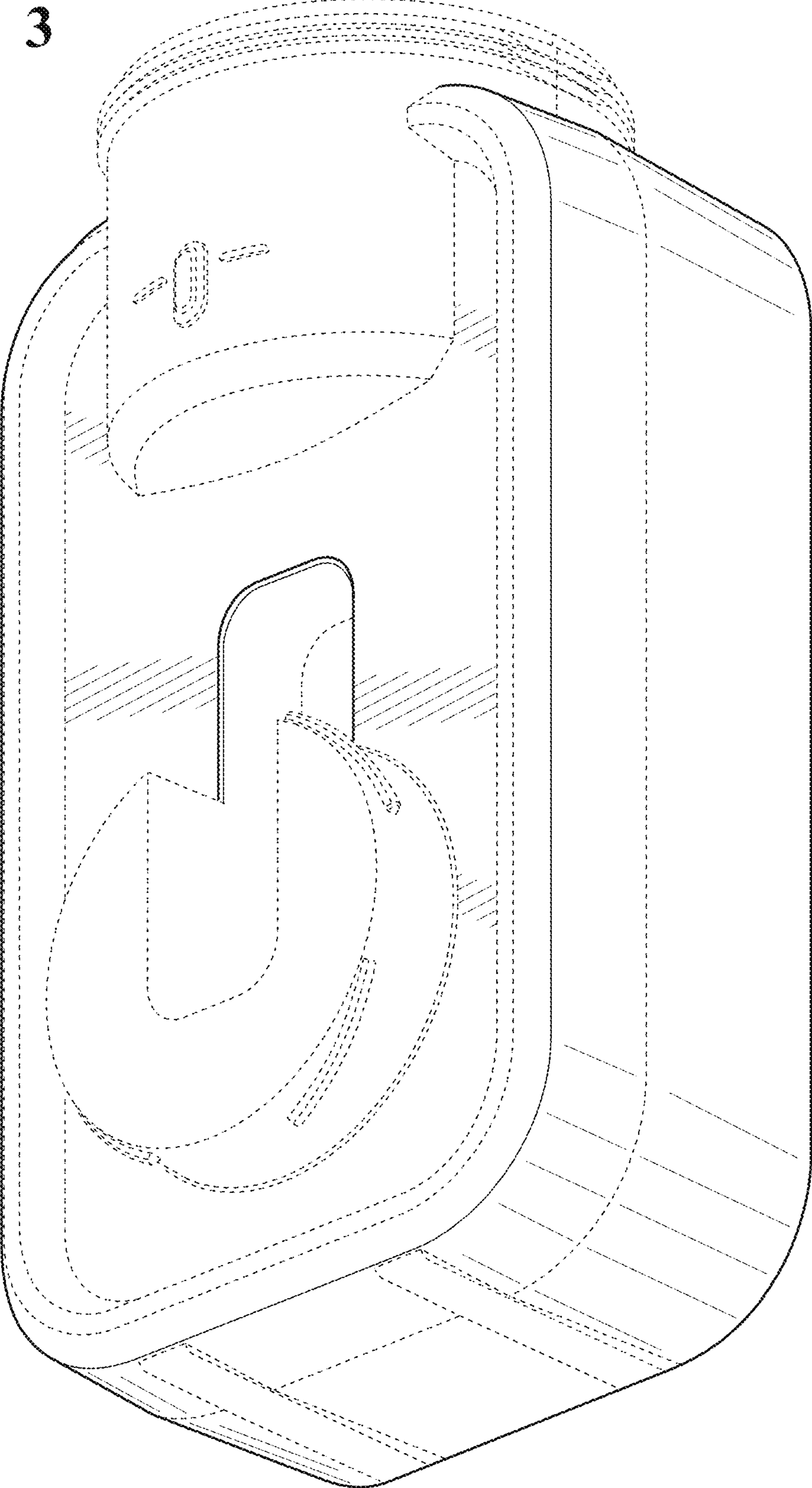


FIG. 4

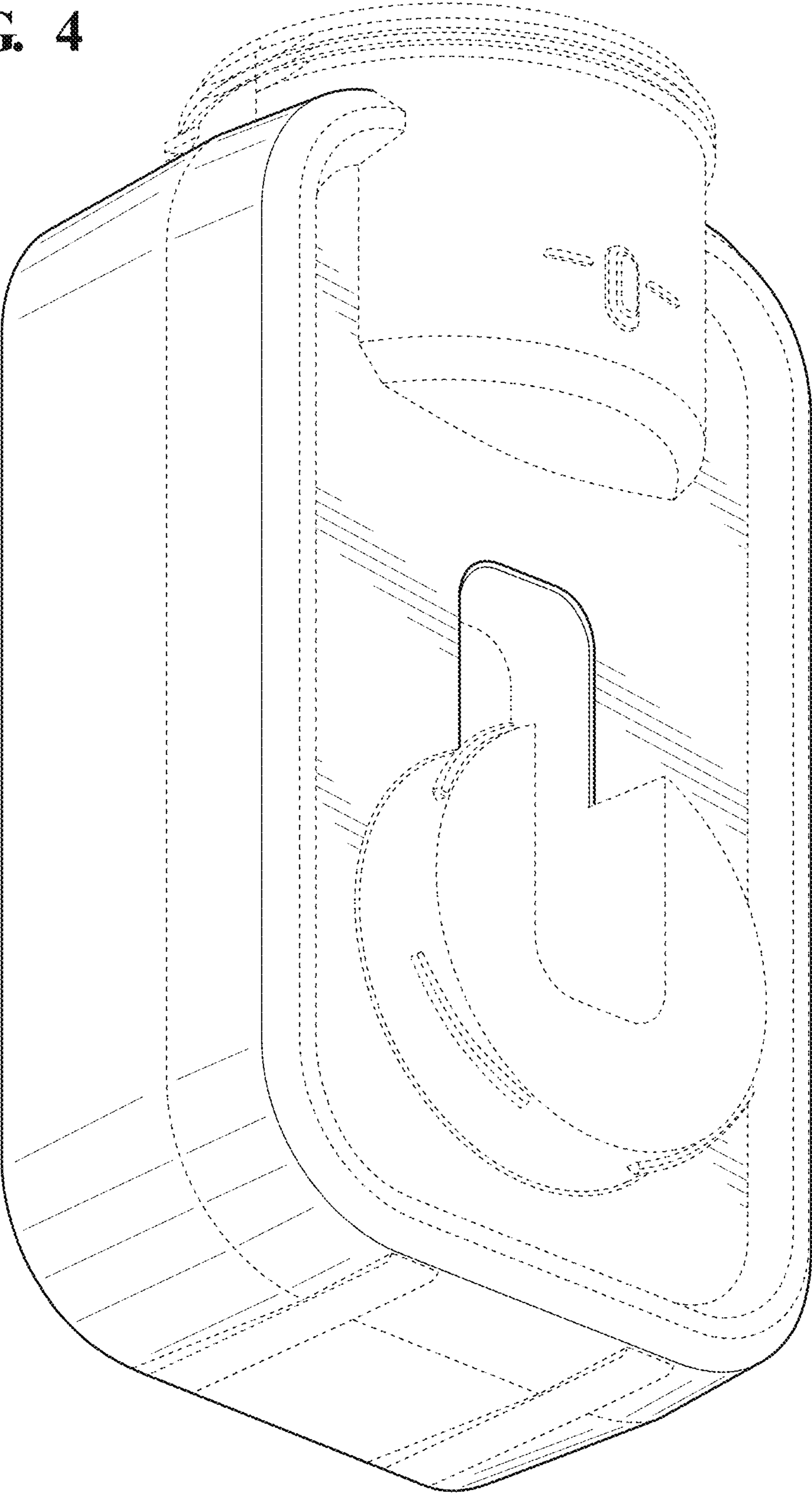


FIG. 5

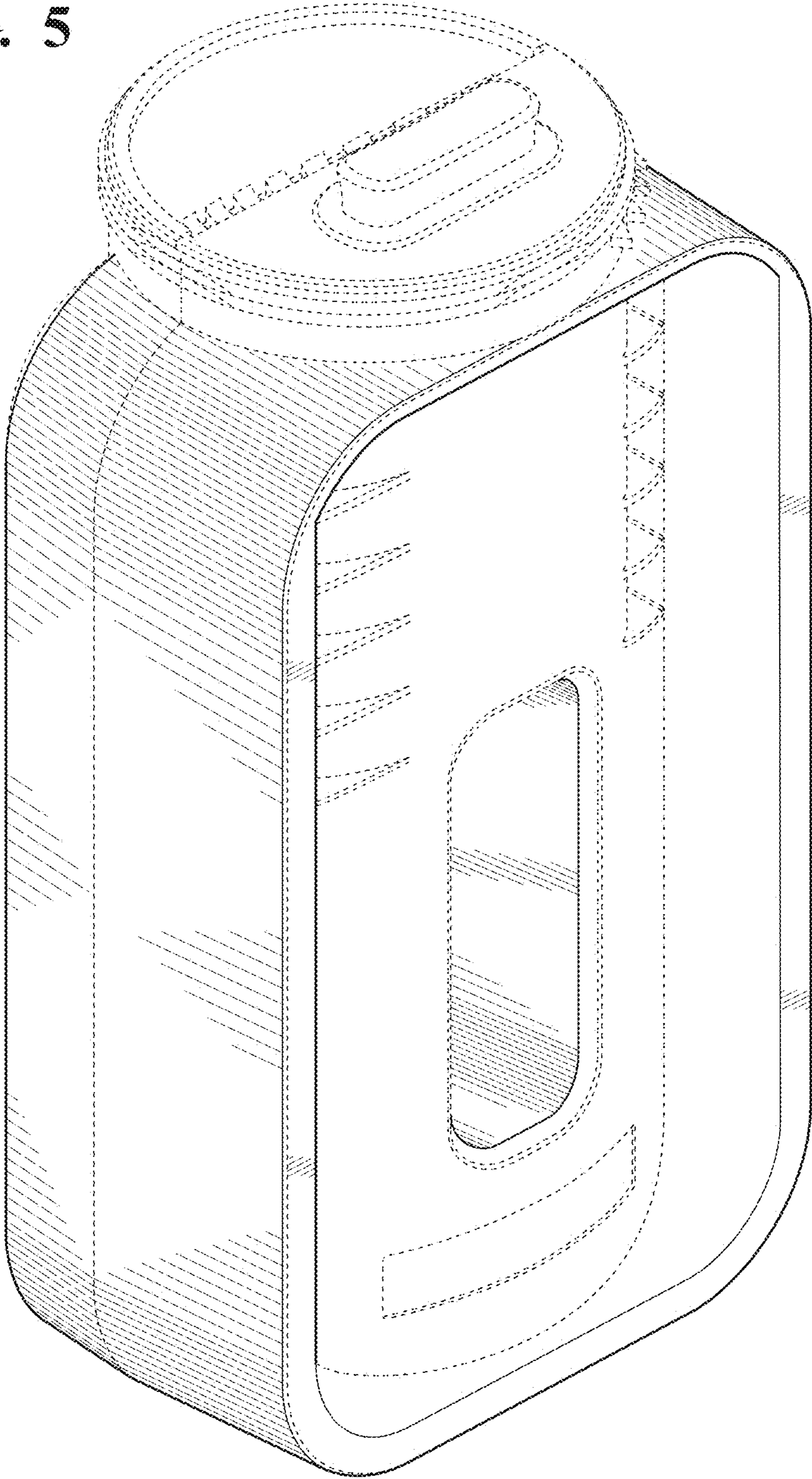


FIG. 6

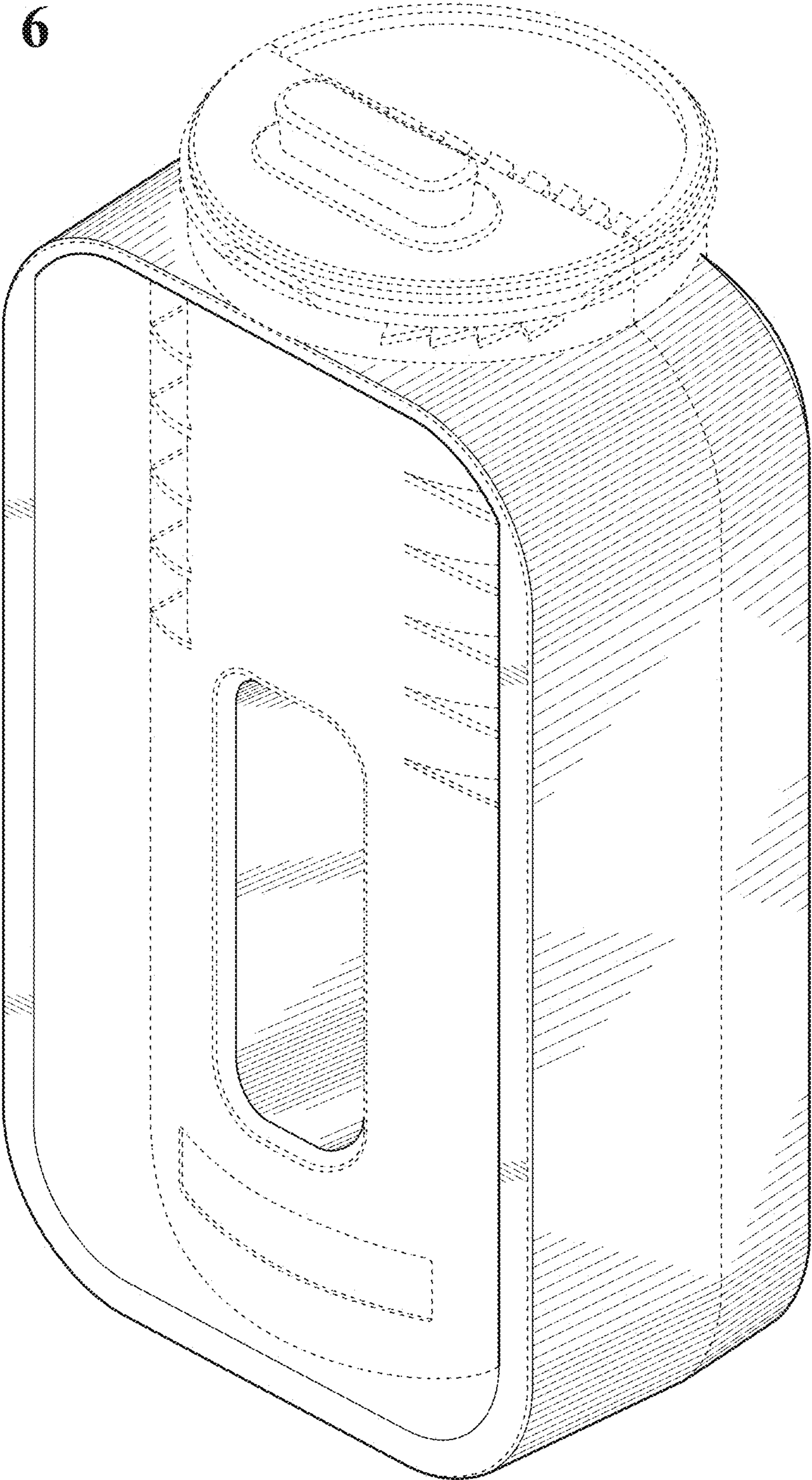


FIG. 7

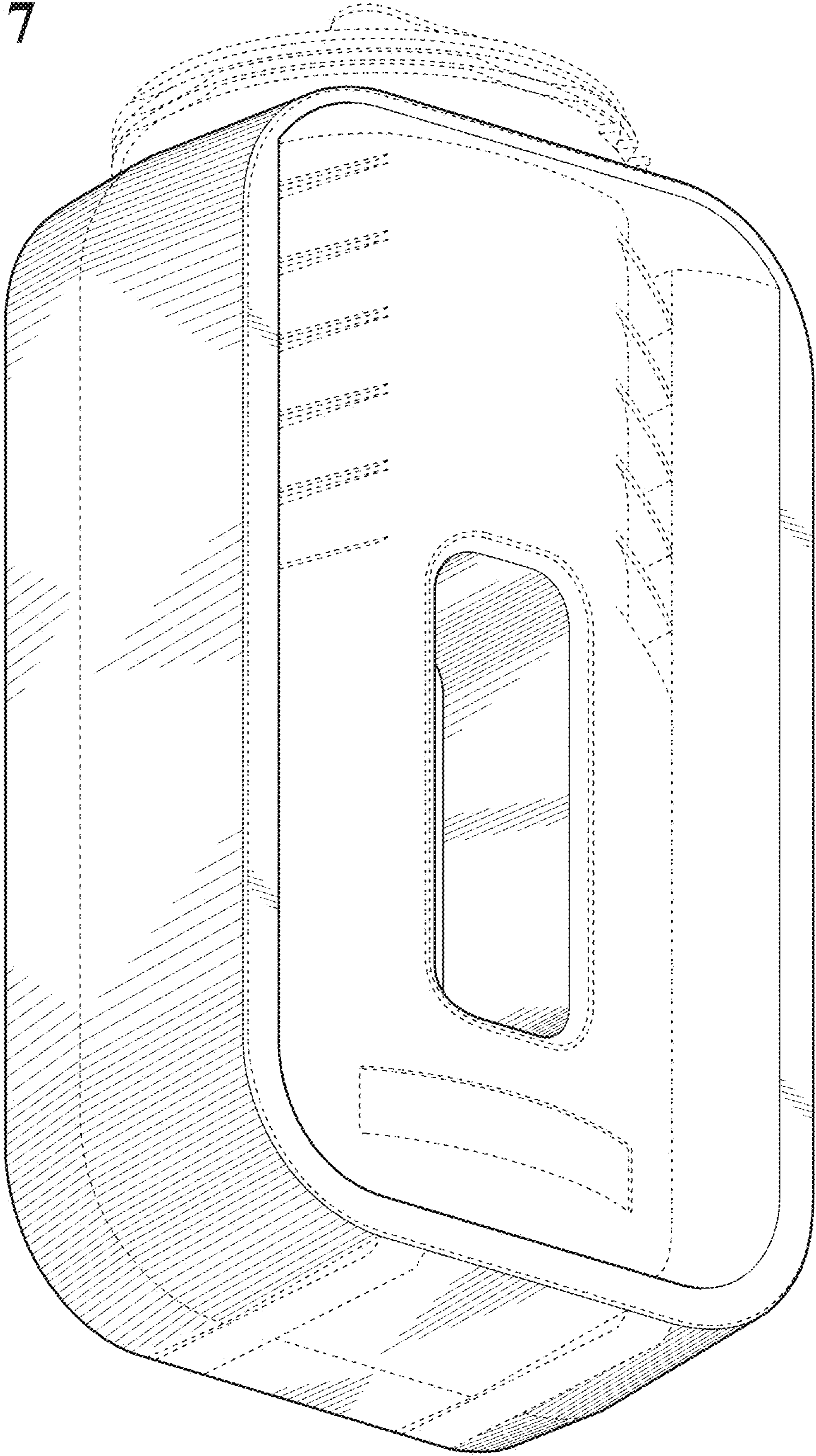


FIG. 8

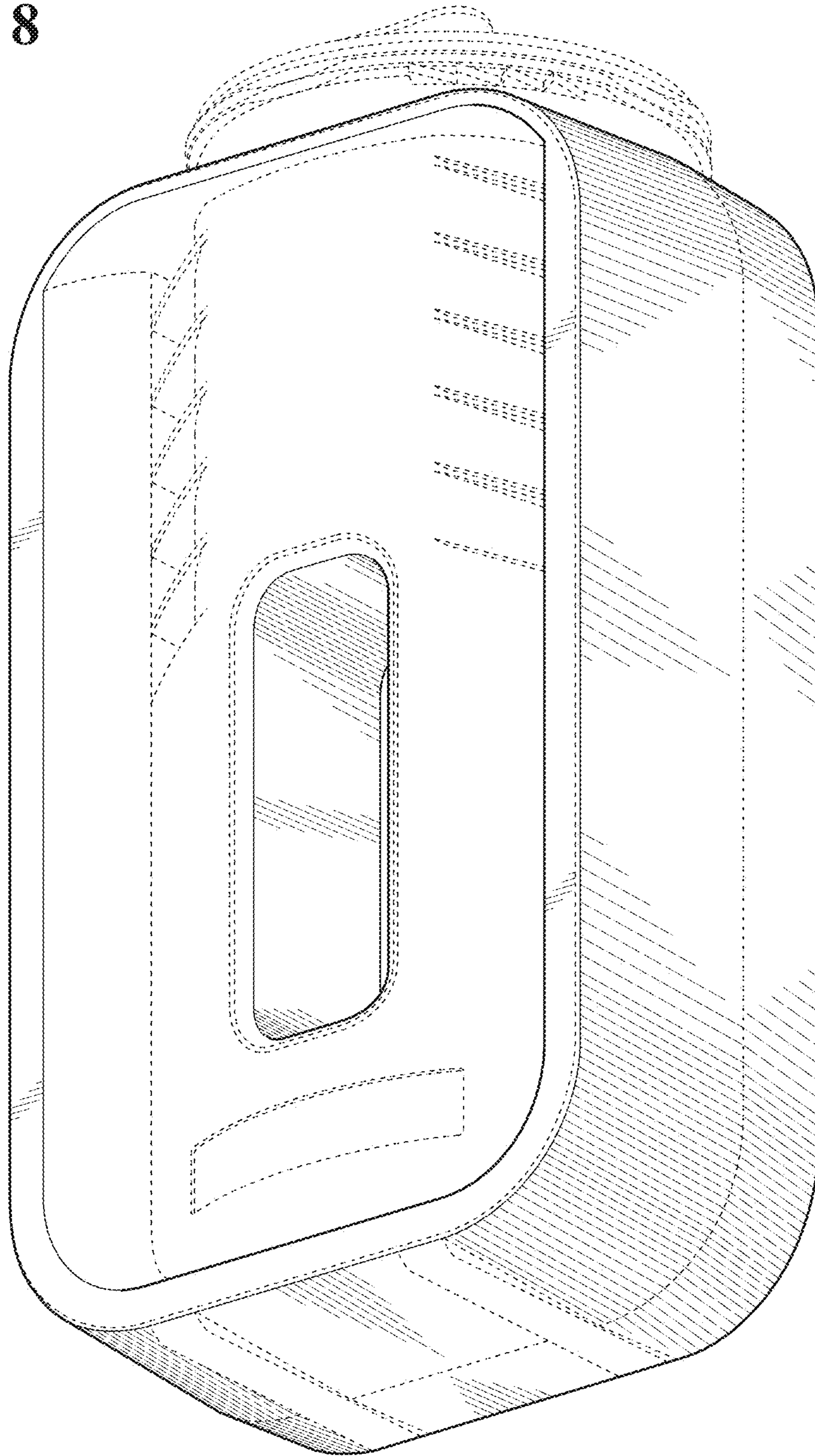


FIG. 9

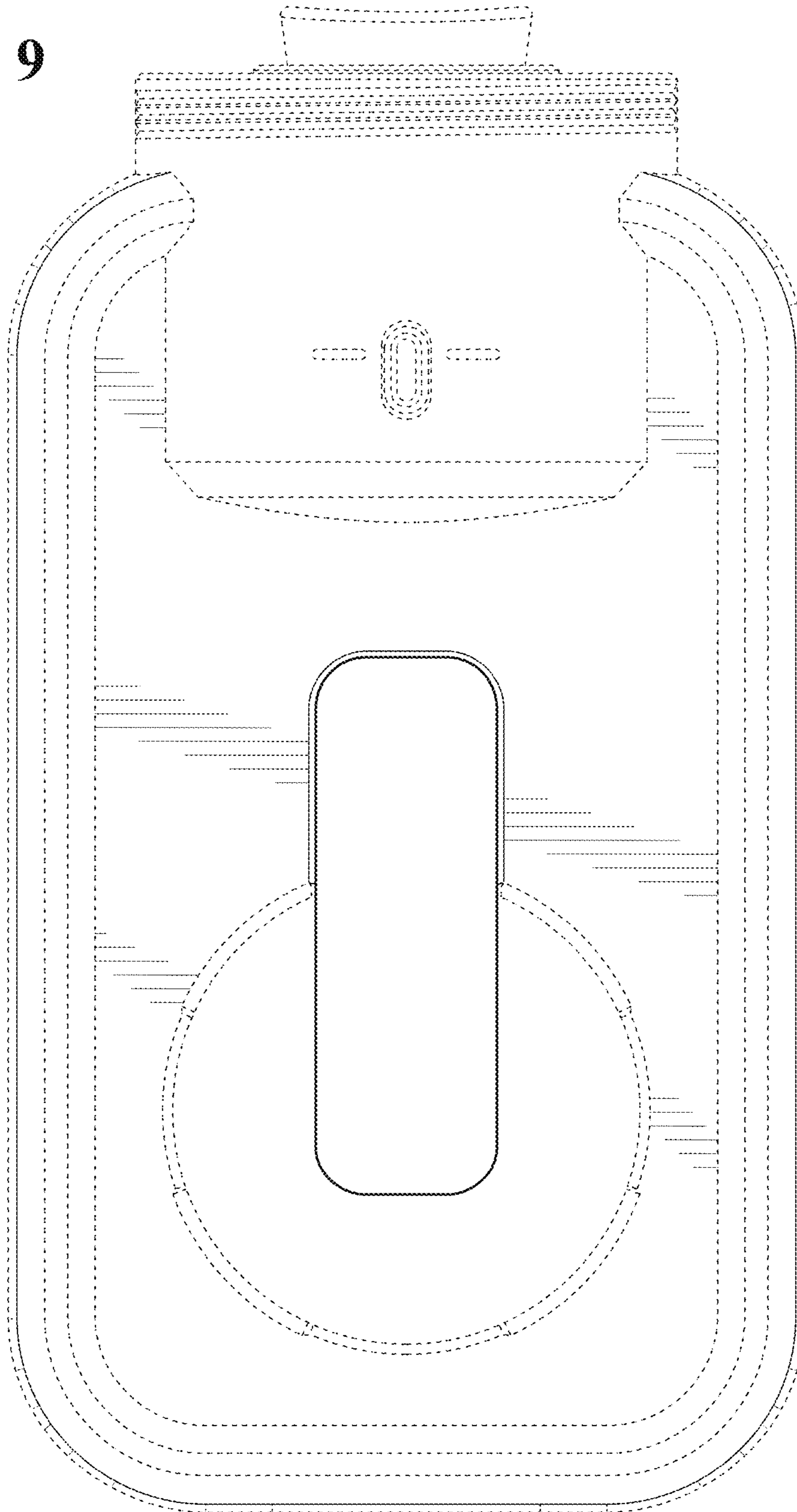


FIG. 10

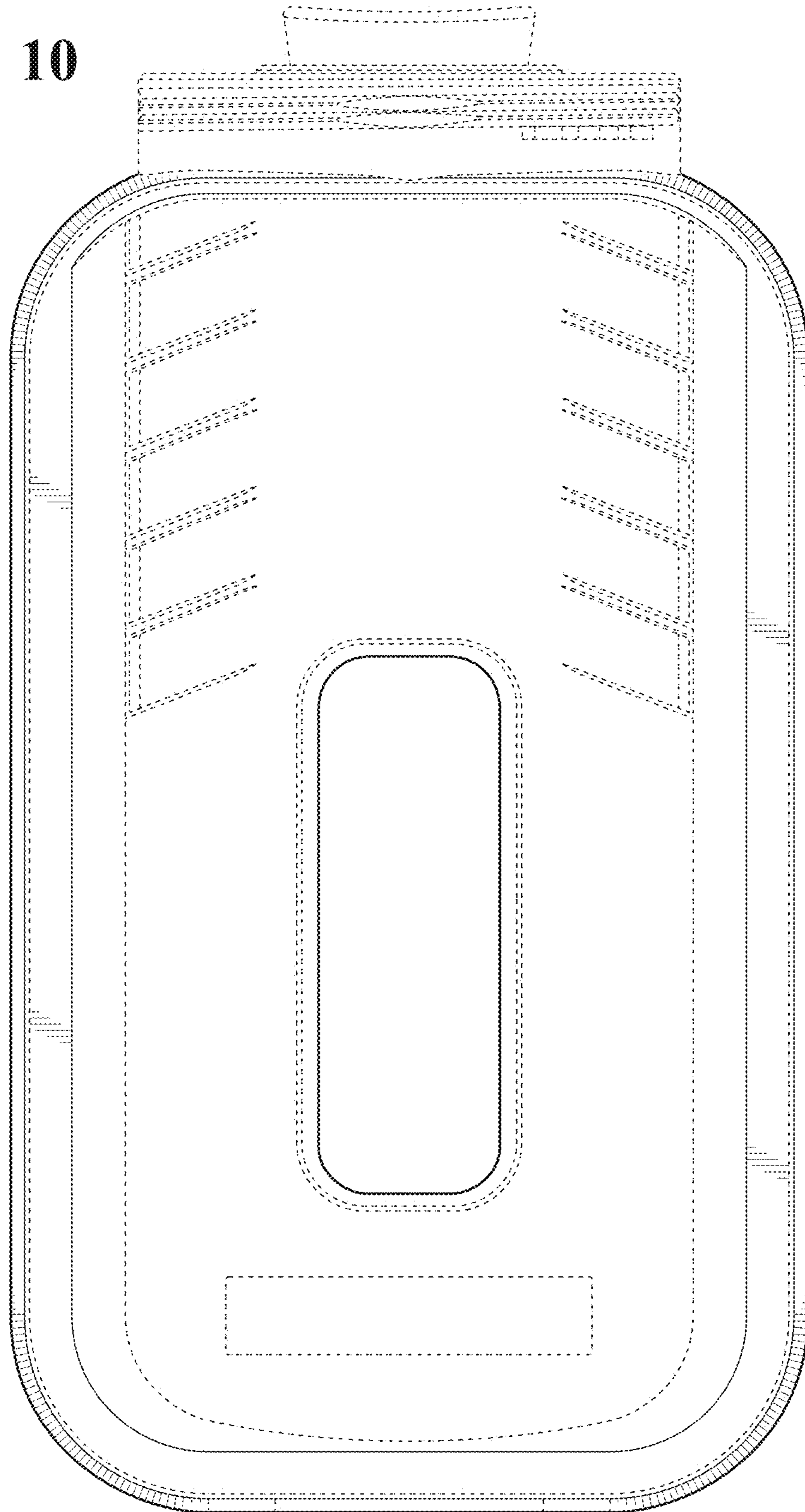


FIG. 11

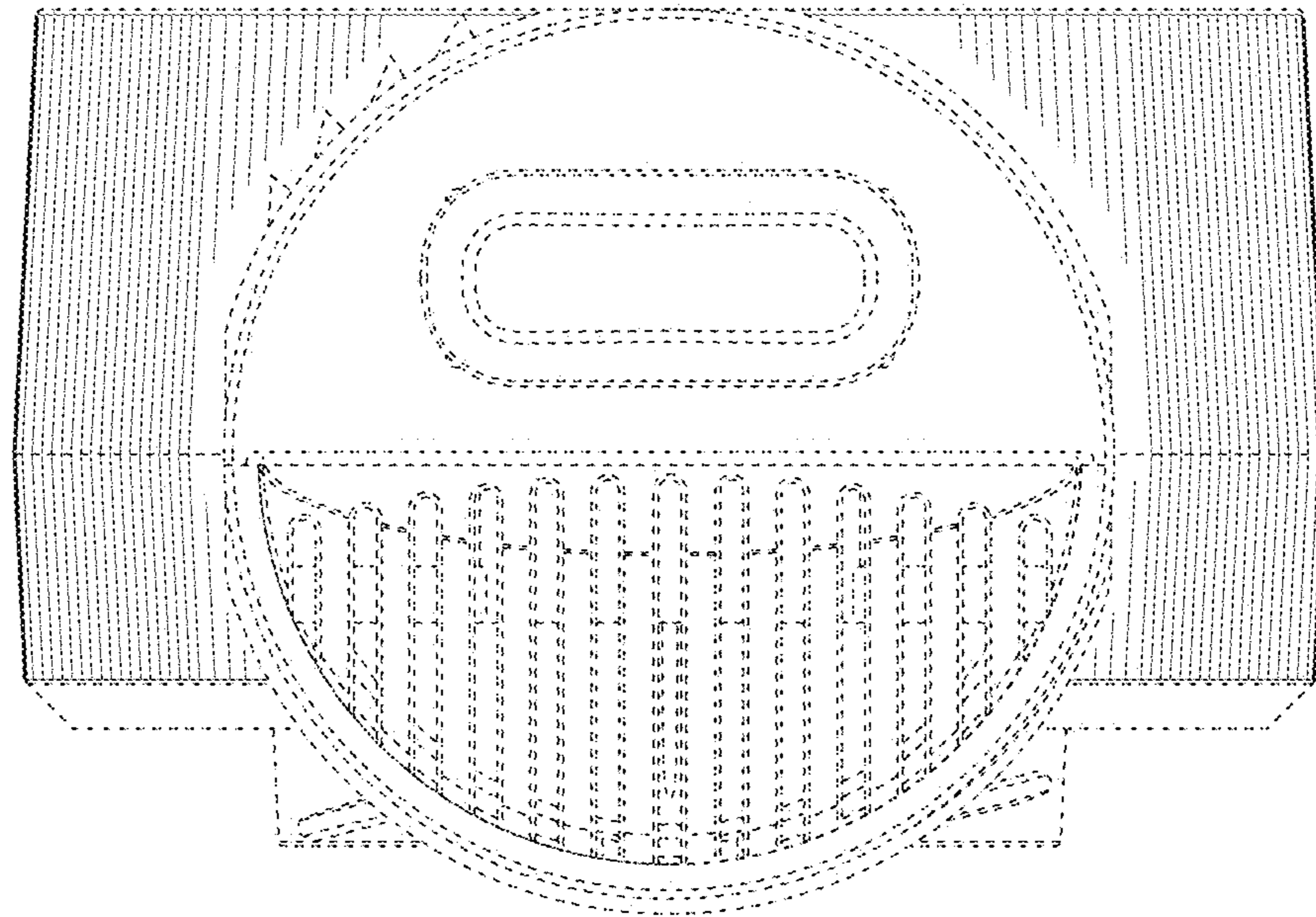


FIG. 12

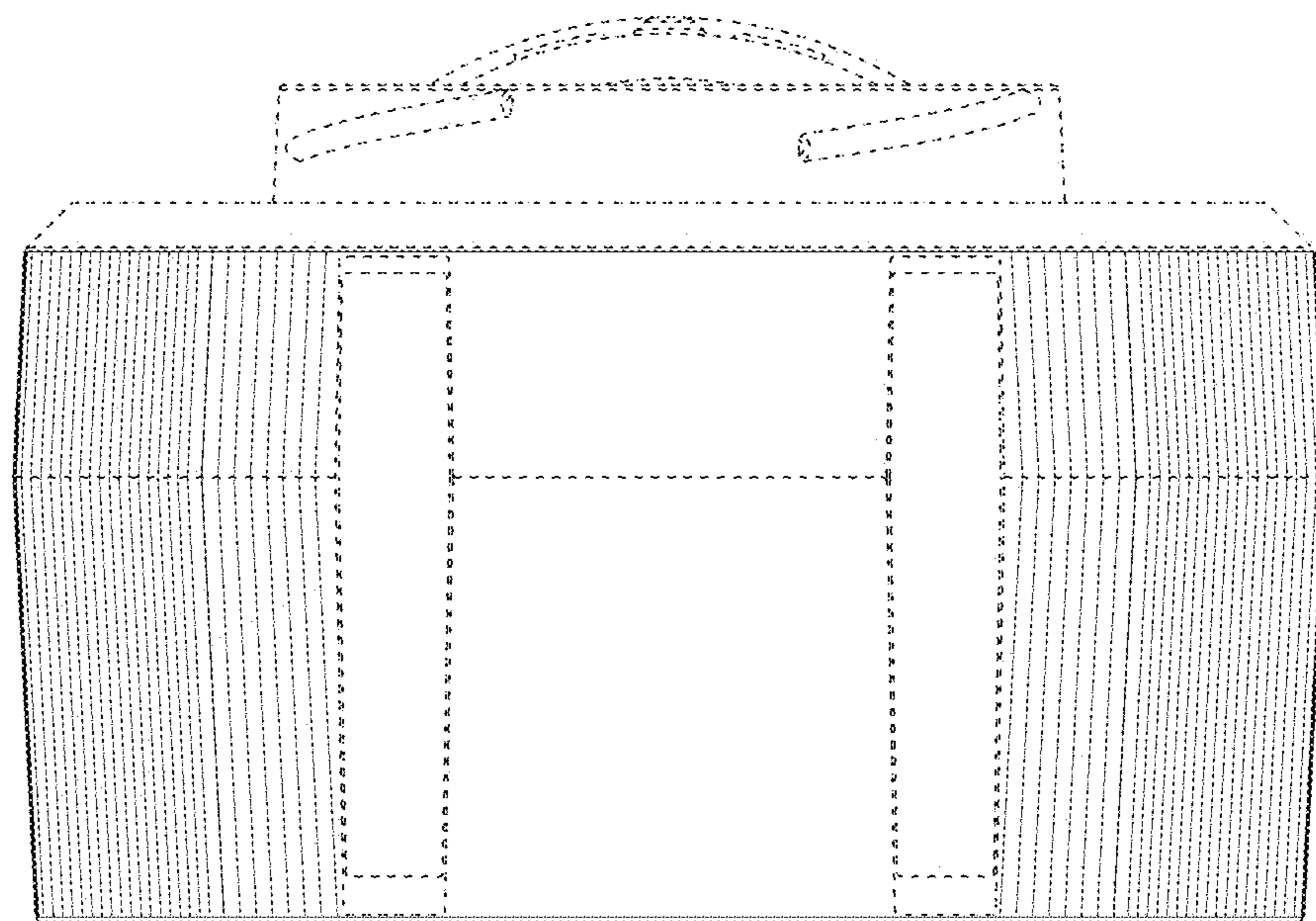


FIG. 13

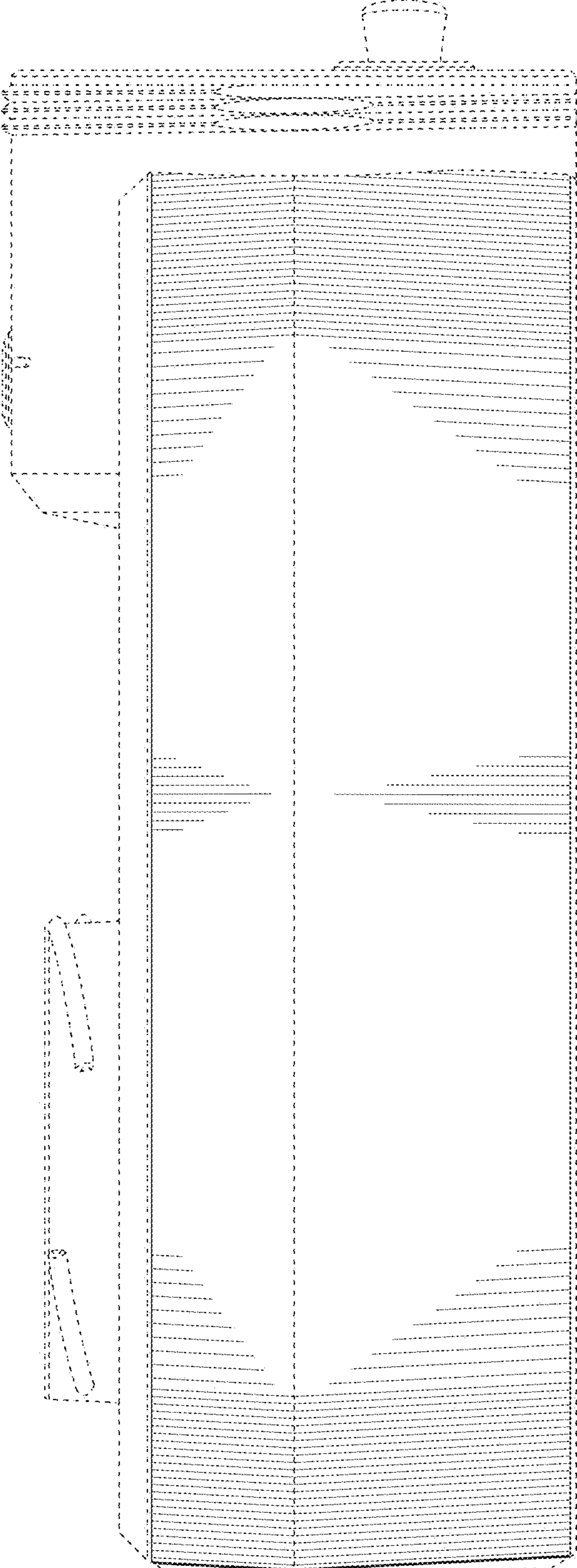


FIG. 14

