



US00D968635S

(12) **United States Design Patent** (10) **Patent No.:** **US D968,635 S**  
**Sedic** (45) **Date of Patent:** **\*\* \*Nov. 1, 2022**

- (54) **TREATMENT DEVICE**
- (71) Applicant: **FAQ GMBH**, Solothurn (CH)
- (72) Inventor: **Filip Sedic**, Stockholm (SE)
- (73) Assignee: **FAQ GMBH**, Solothurn (CH)
- (\*) Notice: This patent is subject to a terminal disclaimer.
- (\*\*) Term: **15 Years**
- (21) Appl. No.: **29/822,088**
- (22) Filed: **Jan. 5, 2022**

D759,831 S *	6/2016	Levi	.....	D24/200
D794,854 S *	8/2017	Zepter	.....	D26/45
D797,302 S *	9/2017	Vahlensieck	.....	D24/209
D855,818 S *	8/2019	Kymm	.....	D24/209
D901,030 S *	11/2020	Yoon	.....	D24/209
D901,031 S *	11/2020	Yoon	.....	D24/209
D907,789 S *	1/2021	Shenfarber	.....	D24/209
D910,162 S *	2/2021	Inoue	.....	D24/107
D930,176 S *	9/2021	Wang	.....	D24/215
D931,489 S *	9/2021	Wang	.....	D24/215
D949,406 S *	4/2022	Sedic	.....	D24/215
D949,407 S *	4/2022	Sedic	.....	D24/215

\* cited by examiner

*Primary Examiner* — Michael A Maharajh  
(74) *Attorney, Agent, or Firm* — Evan Feldstein

**Related U.S. Application Data**

- (63) Continuation of application No. 29/743,019, filed on Jul. 17, 2020, now Pat. No. Des. 949,406.
- (51) **LOC (13) Cl.** ..... **28-03**
- (52) **U.S. Cl.**  
USPC ..... **D24/215**
- (58) **Field of Classification Search**  
USPC ..... D24/200, 211, 212, 213, 214, 215;  
D28/44.1; D4/100, 101  
CPC ..... A61B 2017/00761; A61B 2018/00458;  
A61H 7/008  
See application file for complete search history.

**References Cited**

**U.S. PATENT DOCUMENTS**

- D652,919 S \* 1/2012 Sherwood ..... D24/133
- D734,479 S \* 7/2015 Youngquist ..... D24/158

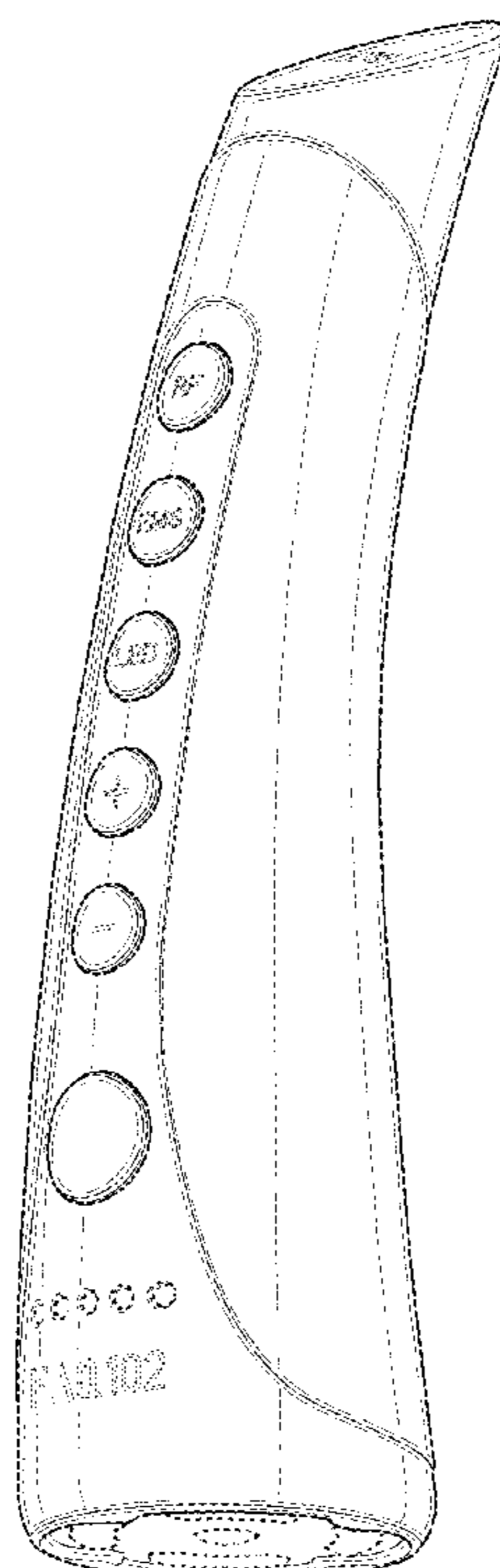
(57) **CLAIM**

I claim the ornamental design for a treatment device, as shown and described.

**DESCRIPTION**

FIG. 1 is a perspective view of a treatment device. FIG. 2 is a front view of the treatment device. FIG. 3 is a rear view of the treatment device. FIG. 4 is a left side view of the treatment device. FIG. 5 is a right side view of the treatment device. FIG. 6 is a top view of the treatment device; and, FIG. 7 is a bottom view of the treatment device. The broken lines shown in the figures are for the purposes of illustrating portions of the treatment device, which form no part of the claimed design.

**1 Claim, 7 Drawing Sheets**



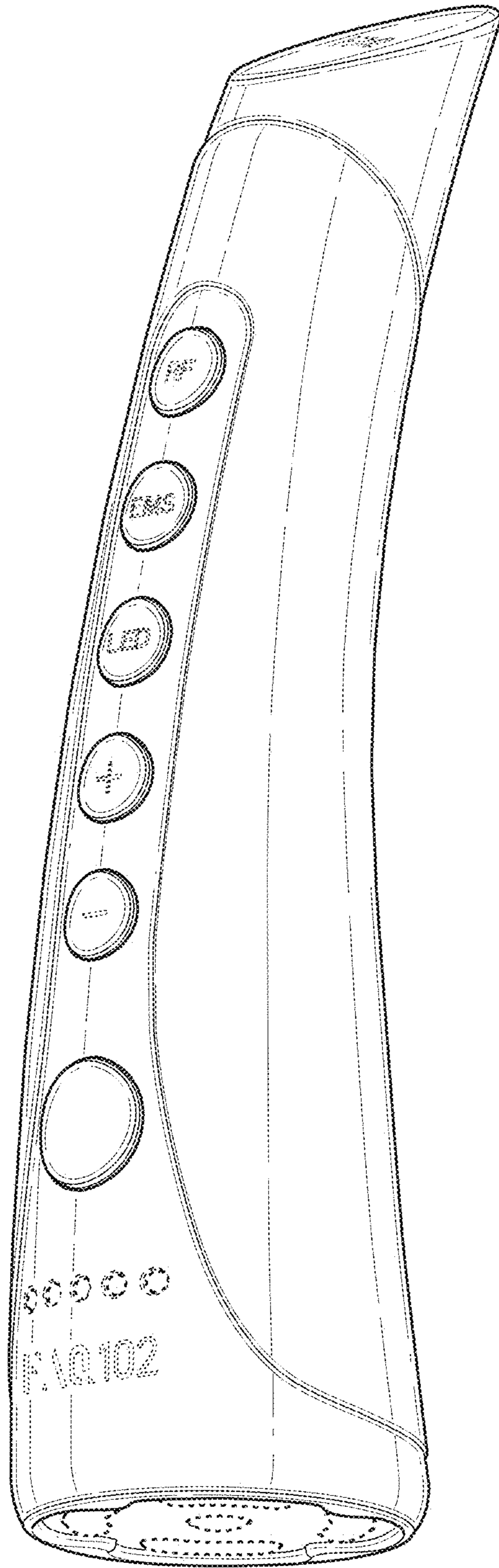


FIG. 1

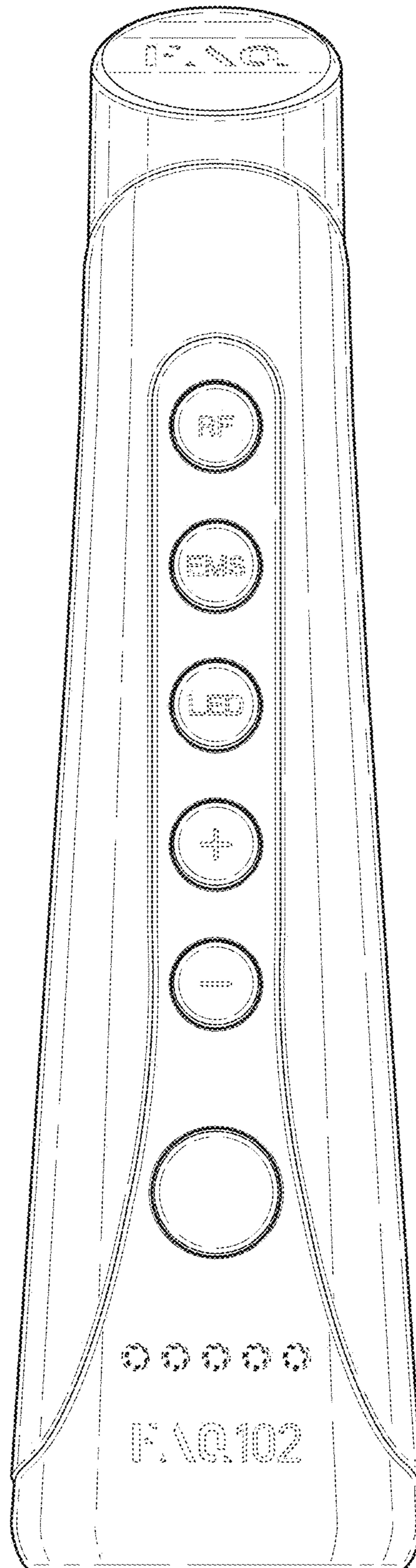
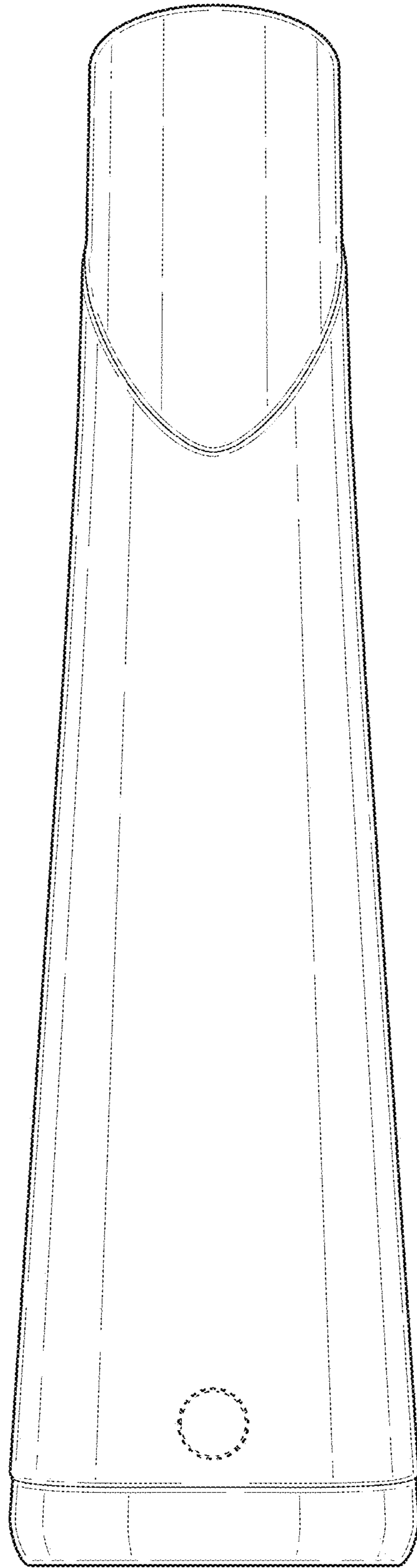


FIG. 2



**FIG. 3**

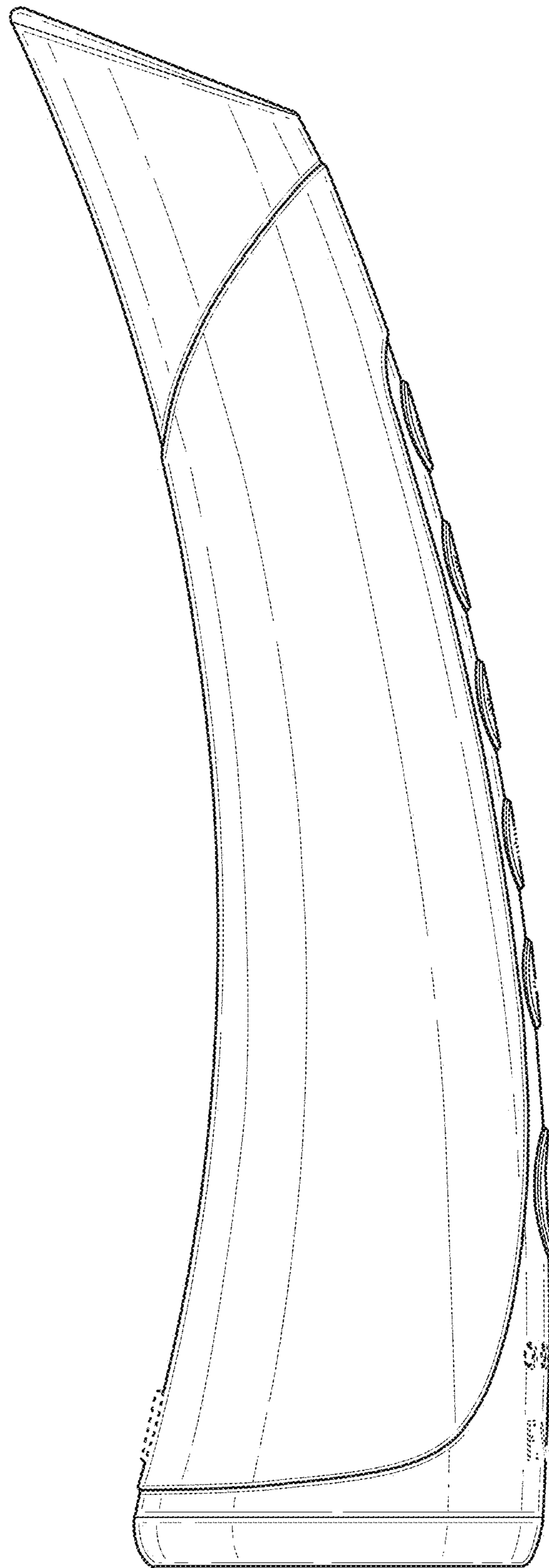


FIG 4

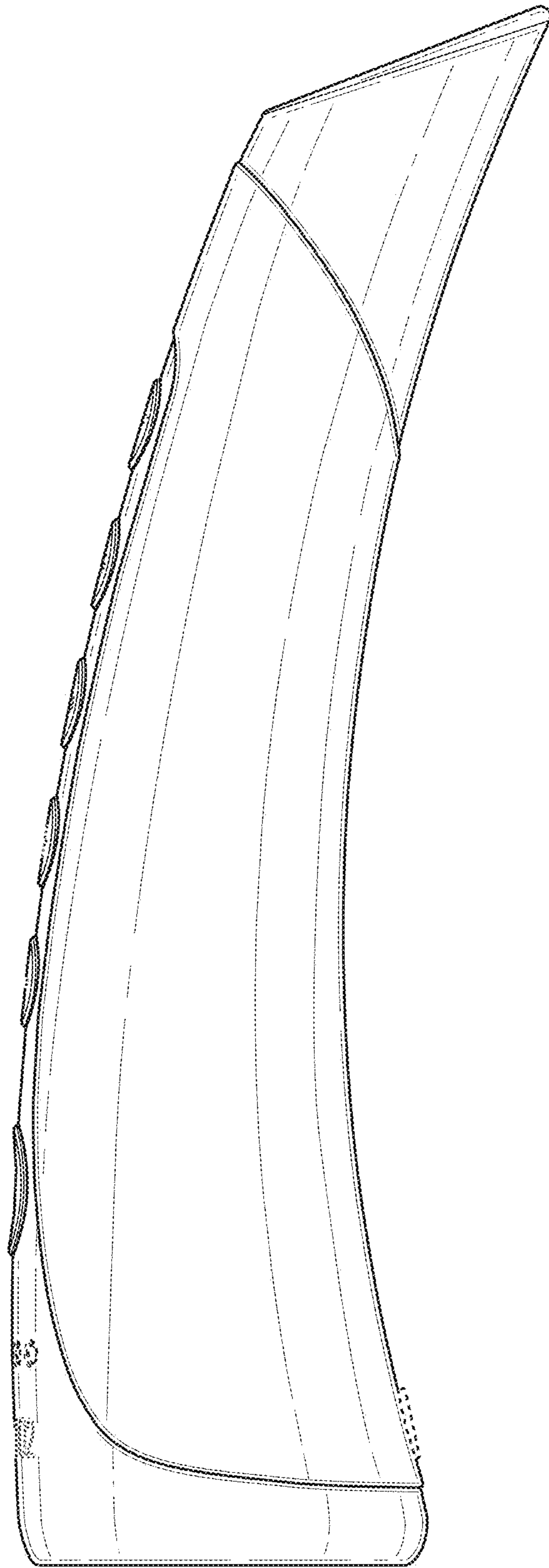


FIG. 5

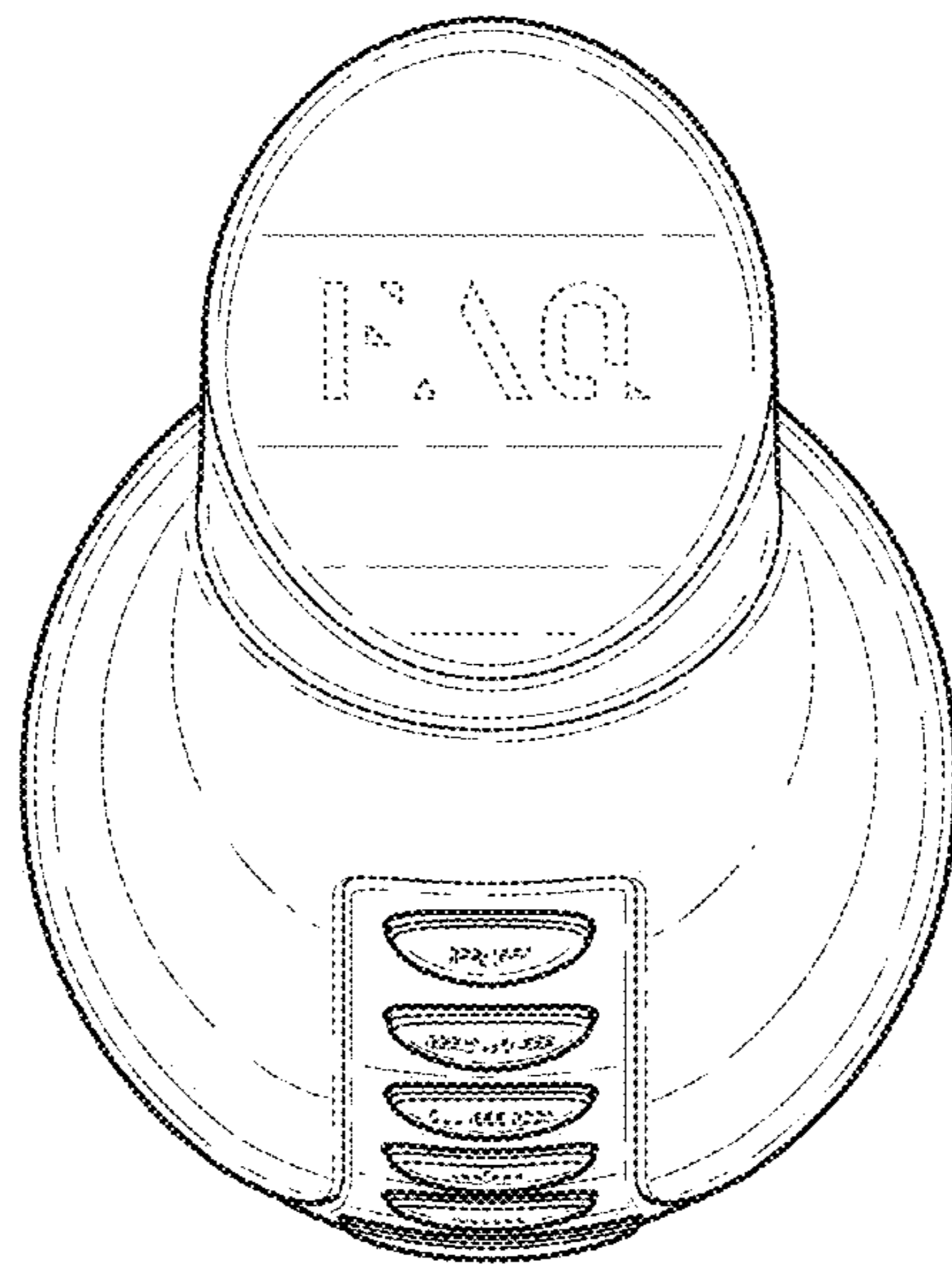


FIG. 6

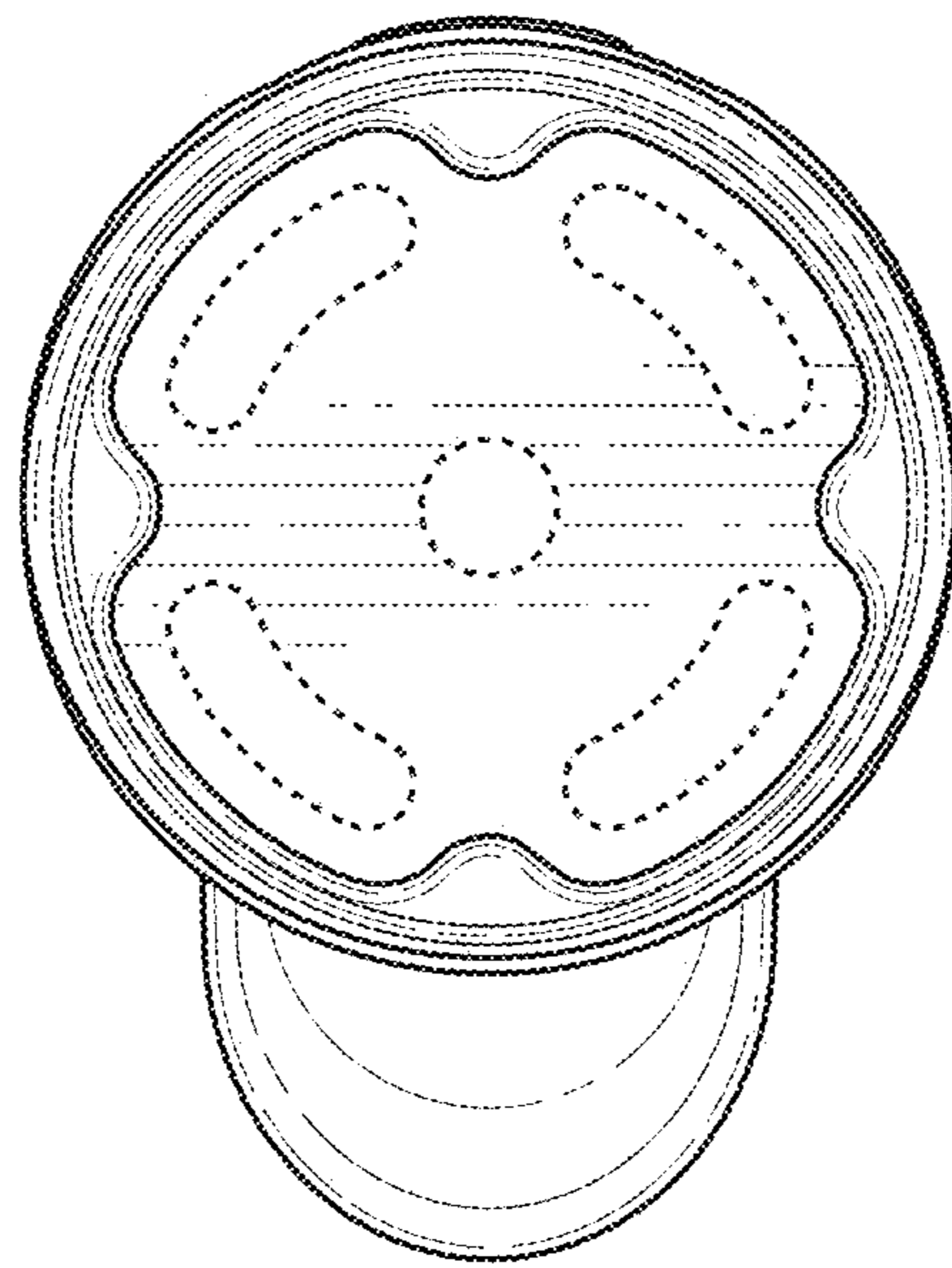


FIG. 7