



US00D968634S

(12) **United States Design Patent** (10) **Patent No.:** **US D968,634 S**
Zhou (45) **Date of Patent:** **** Nov. 1, 2022**

(54) **SEX TOY**

(71) Applicant: **Dan Zhou**, Shenzhen (CN)

(72) Inventor: **Dan Zhou**, Shenzhen (CN)

(**) Term: **15 Years**

(21) Appl. No.: **29/778,788**

(22) Filed: **Apr. 15, 2021**

(51) **LOC (13) Cl.** **28-03**

(52) **U.S. Cl.**
USPC **D24/215**

(58) **Field of Classification Search**
USPC D24/119, 133, 141, 200, 211, 212, 213,
D24/214, 215; D30/160; D23/366
CPC A61H 7/001; A61H 7/007; A61H 19/32;
A61H 2205/087; A61H 19/50
See application file for complete search history.

(56) **References Cited**

U.S. PATENT DOCUMENTS

| | | | | |
|--------------|---------|--------|-------|---------|
| D590,952 S * | 4/2009 | Stuart | | D24/215 |
| D818,102 S * | 5/2018 | Li | | D23/366 |
| D837,959 S * | 1/2019 | Nie | | D23/356 |
| D844,798 S * | 4/2019 | Jin | | D24/214 |
| D844,803 S * | 4/2019 | Liu | | D24/215 |
| D857,222 S * | 8/2019 | Liu | | D24/215 |
| D879,992 S | 3/2020 | Li | | |
| D882,108 S | 4/2020 | Li | | |
| D911,544 S * | 2/2021 | Zhou | | D24/215 |
| D925,056 S * | 7/2021 | Li | | D24/215 |
| D930,180 S * | 9/2021 | Wang | | D24/215 |
| D939,726 S * | 12/2021 | Liu | | D24/215 |
| D949,405 S * | 4/2022 | Yuan | | D24/215 |

OTHER PUBLICATIONS

Rosetoy—Official, “2 in 1 Rose Toy”, Access Date; Aug. 30, 2022. https://www.rosetoy-official.com/products/1066139-2-in-1-rose-toy-with-detachable-suction?spm=..collection_0ce37b8c-dede-42d2-9acb-89acf2f5f2eb.collection_detail_1.40&spm_prev=..index.products_1.1 (Year: 2022).*

Walmart, “DARZU Rose Vibrator”, Earliest Review Date: Mar. 14, 2022. <https://www.walmart.com/ip/DARZU-Rose-Vibrator-for-Women-3-in-1-Adult-Sex-Toys-with-Vibrating-Ball-G-Spot-Clitoral-Stimulator-Massager-for-Couples-Red/800990568> (Year: 2022).*

* cited by examiner

Primary Examiner — Michael A Maharajh

(57) **CLAIM**

The ornamental design for a sex toy, as shown and described.

DESCRIPTION

FIG. 1 is a perspective view of a sex toy showing my new design;

FIG. 2 is another perspective view thereof;

FIG. 3 is a front elevational view thereof;

FIG. 4 is a rear elevational view thereof;

FIG. 5 is a left side elevational view thereof;

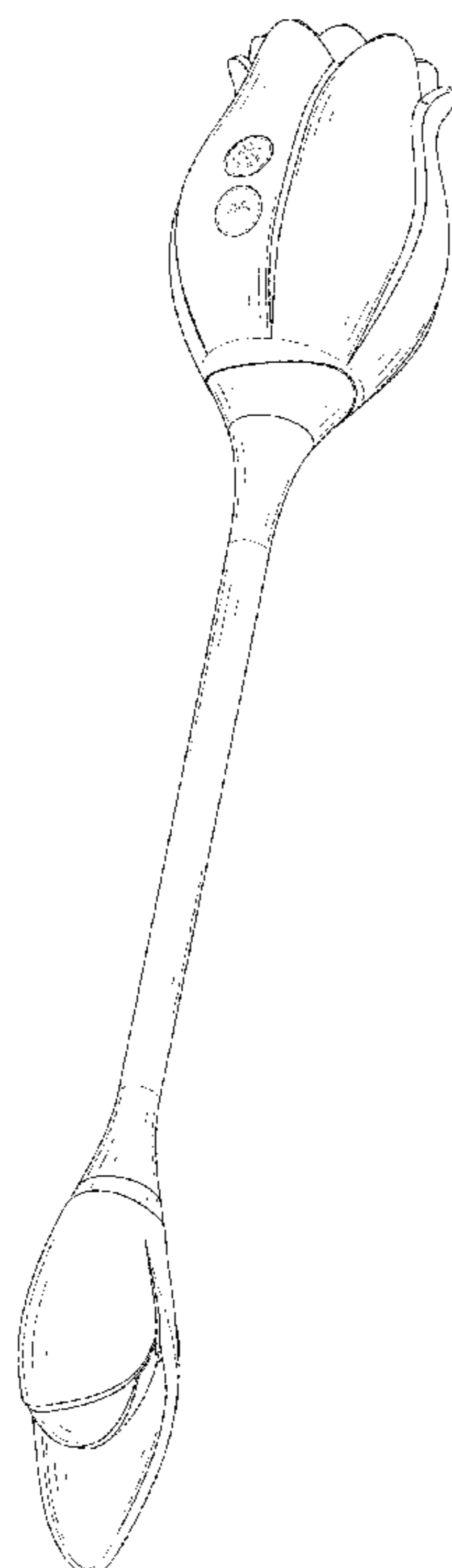
FIG. 6 is a right side elevational view thereof;

FIG. 7 is a top plan view thereof; and,

FIG. 8 is a bottom plan view thereof.

The broken lines in the drawings depict portions of the sex toy that form no part of the claimed design.

1 Claim, 8 Drawing Sheets



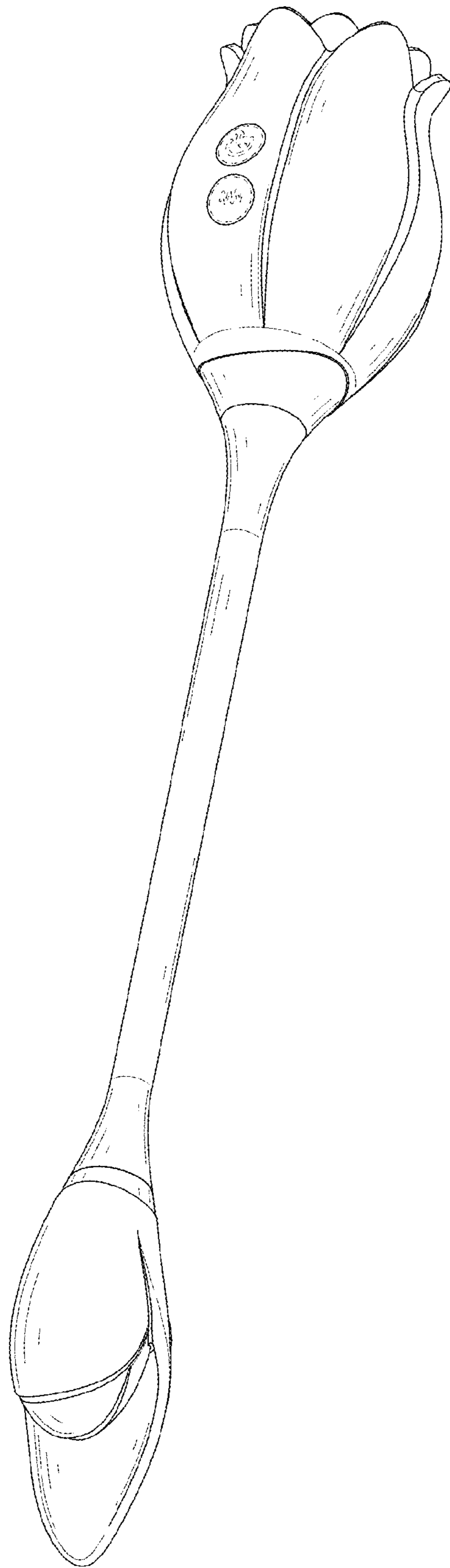


FIG. 1

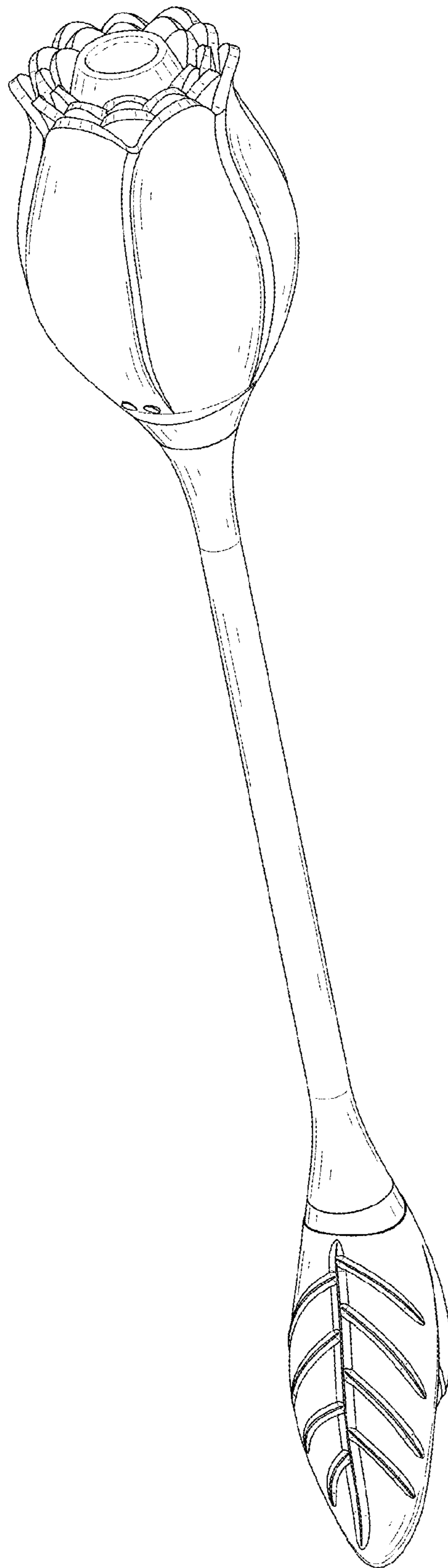


FIG. 2

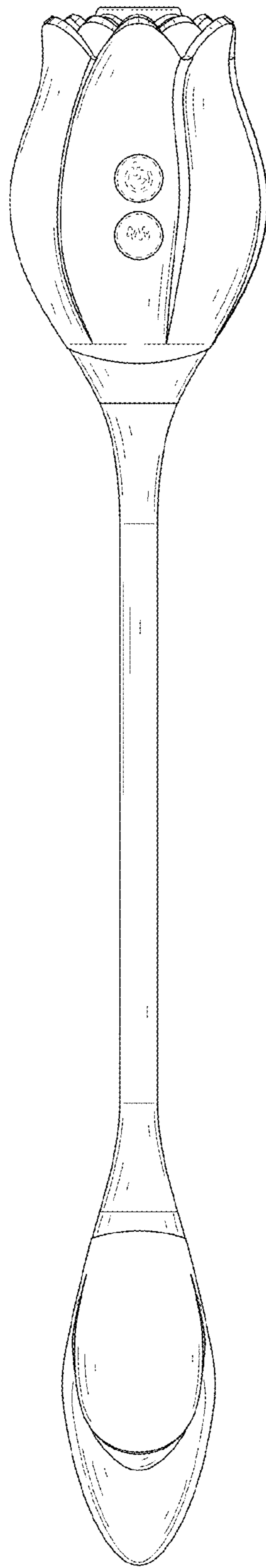


FIG. 3

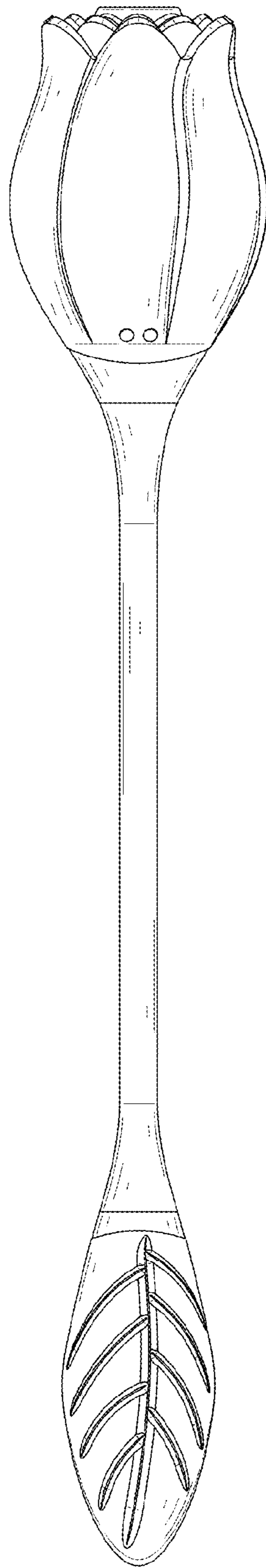


FIG. 4

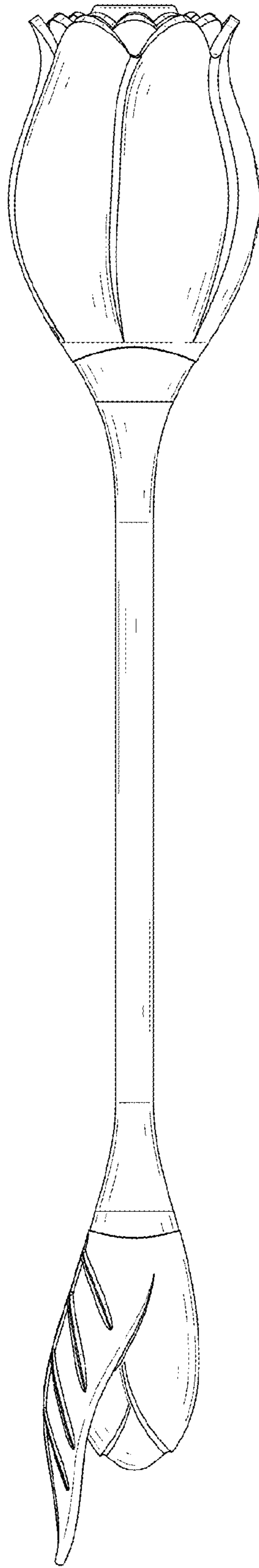


FIG. 5

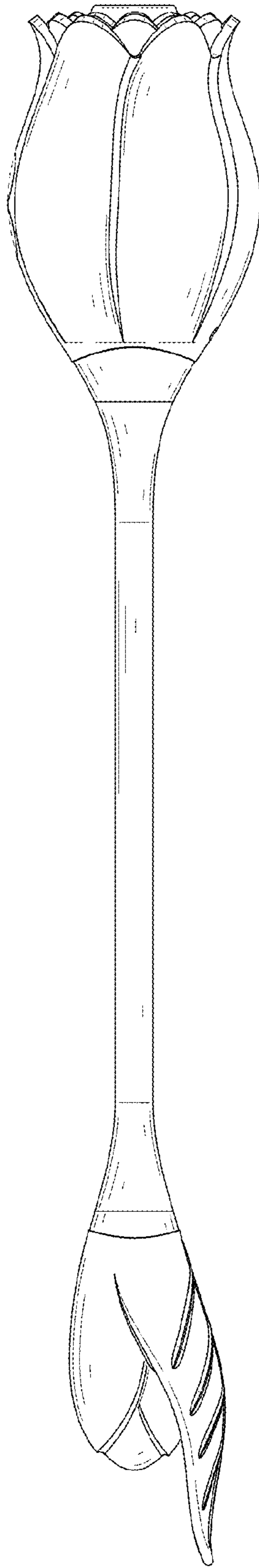


FIG. 6

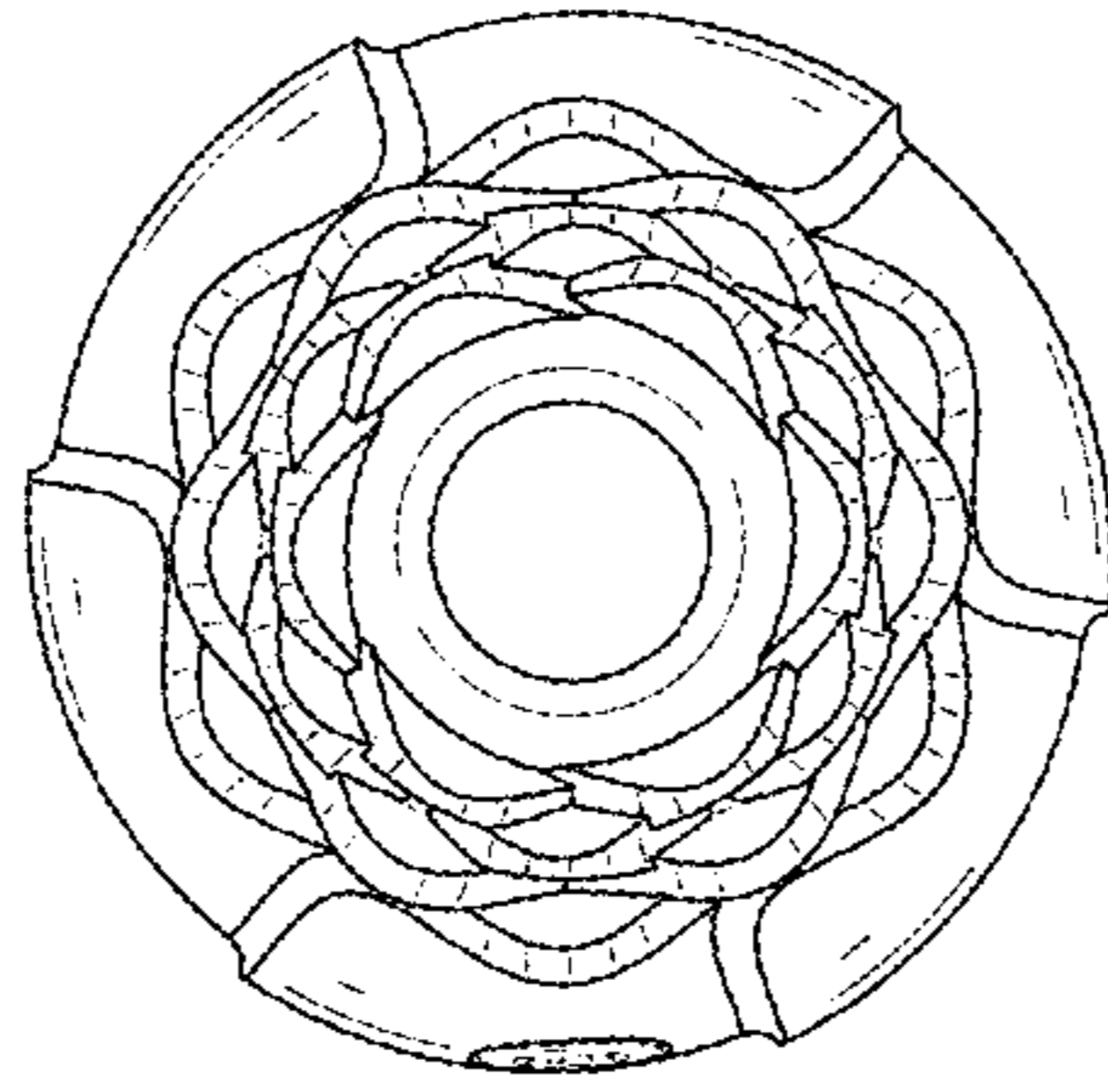


FIG. 7

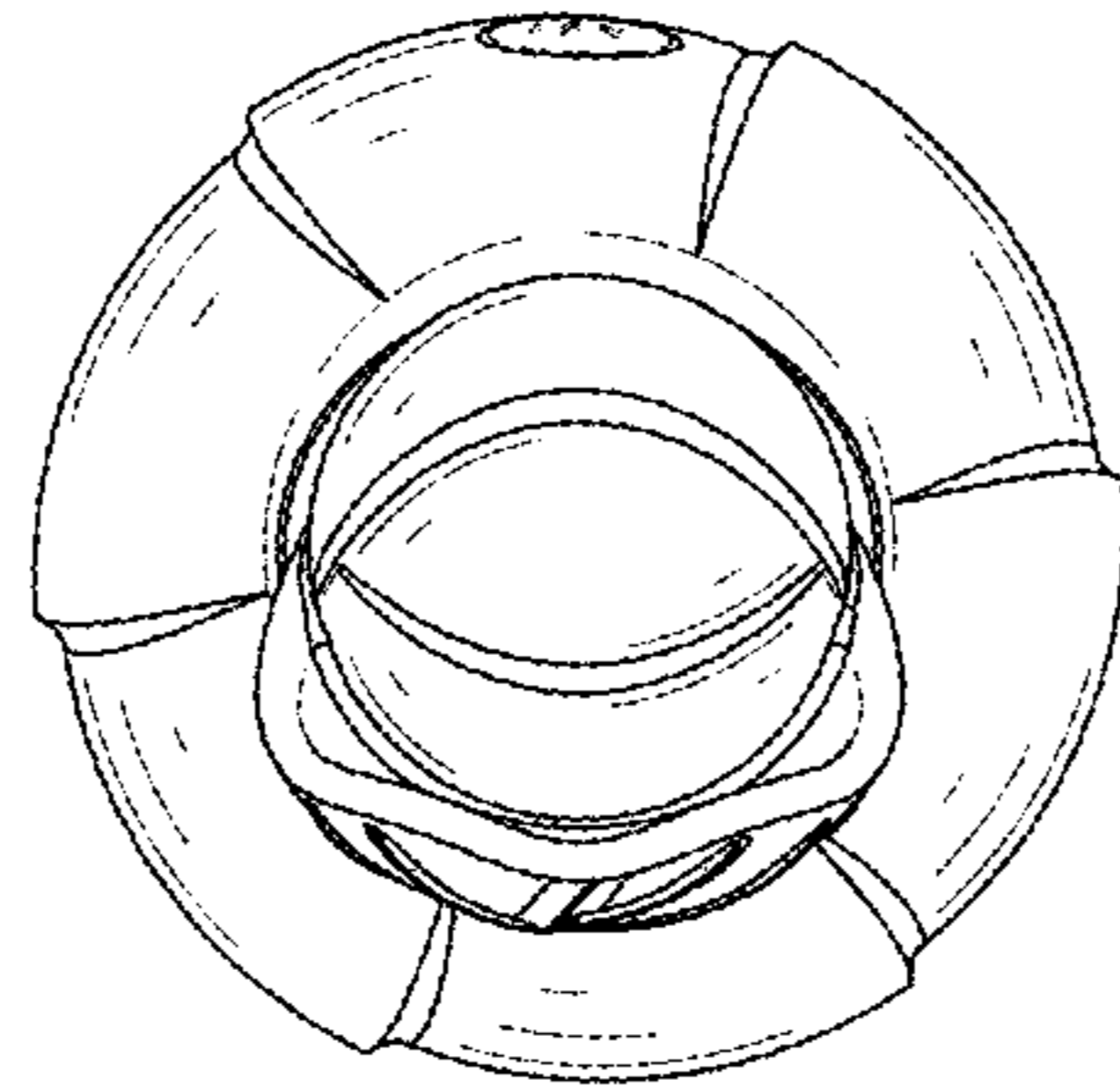


FIG. 8