



US00D968632S

(12) **United States Design Patent** (10) **Patent No.:** **US D968,632 S**
Kong (45) **Date of Patent:** **** Nov. 1, 2022**

(54) **MASSAGER**
(71) Applicant: **SUZHOU JUHEXIANG ELECTRONICS CO., LTD.**, Suzhou (CN)
(72) Inventor: **Jin-Feng Kong**, Suzhou (CN)
(73) Assignee: **SUZHOU JUHEXIANG ELECTRONICS CO., LTD.**, Suzhou (CN)
(**) Term: **15 Years**
(21) Appl. No.: **29/745,391**

D880,714	S	*	4/2020	Wersland	D24/215
D880,715	S	*	4/2020	Wersland	D24/215
D880,716	S	*	4/2020	Wersland	D24/215
D884,915	S	*	5/2020	Wersland	D24/215
D885,601	S	*	5/2020	Wersland	D24/215
D887,573	S	*	6/2020	Wersland	D24/215
10,714,953	B1	*	7/2020	Solana	H02J 7/02
D896,396	S	*	9/2020	Wersland	D24/215
D912,268	S	*	3/2021	Xiang	D24/215
D921,914	S	*	6/2021	Wersland	D24/214
D930,179	S	*	9/2021	Zhu	D24/215
2017/0304145	A1	*	10/2017	Pepe	A61H 23/006
2018/0200141	A1	*	7/2018	Wersland	A61H 15/0085
2020/0069510	A1	*	3/2020	Wersland	A61H 23/0254
2020/0214930	A1	*	7/2020	Wersland	A61H 23/006
2020/0261307	A1	*	8/2020	Wersland	A61H 23/006
2020/0268594	A1	*	8/2020	Pepe	A61H 15/02

(22) Filed: **Aug. 5, 2020**
(30) **Foreign Application Priority Data**
Feb. 14, 2020 (CN) 202030051653.9
(51) **LOC (13) Cl.** **28-03**
(52) **U.S. Cl.**
USPC **D24/215**
(58) **Field of Classification Search**
USPC D24/200, 211, 212, 213, 214, 215;
D8/14.1; D28/13, 44.1
CPC A61H 2201/1653; A61H 23/006; A61H
1/00; A61H 15/02; A61H 1/008
See application file for complete search history.

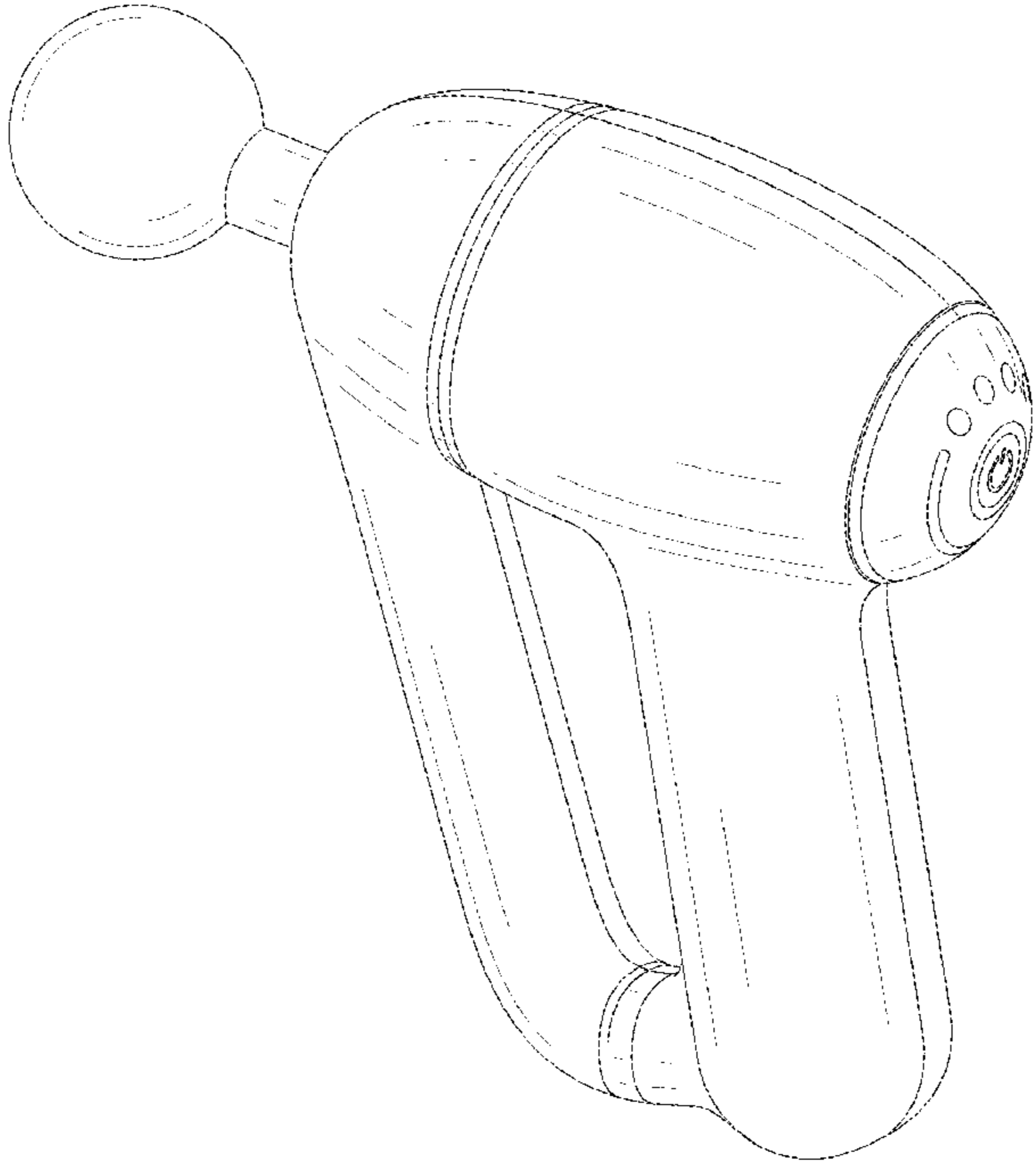
* cited by examiner
Primary Examiner — Michael A Maharajh
(74) *Attorney, Agent, or Firm* — Metis IP LLC

(56) **References Cited**
U.S. PATENT DOCUMENTS
D872,869 S * 1/2020 Lu D24/215
D877,351 S * 3/2020 Wersland D24/215
D879,985 S * 3/2020 Wersland D24/214
D879,986 S * 3/2020 Wersland D24/214

(57) **CLAIM**
The ornamental design for a massager, as shown and described.

DESCRIPTION
FIG. 1 is a front, top and right perspective view of a massager showing the claimed design;
FIG. 2 is a front view thereof;
FIG. 3 is a rear view thereof;
FIG. 4 is a left side view thereof;
FIG. 5 is a right side view thereof;
FIG. 6 is a top view thereof; and,
FIG. 7 is a bottom view thereof.
The shade lines in the Figures show contour and not surface ornamentation.

1 Claim, 7 Drawing Sheets



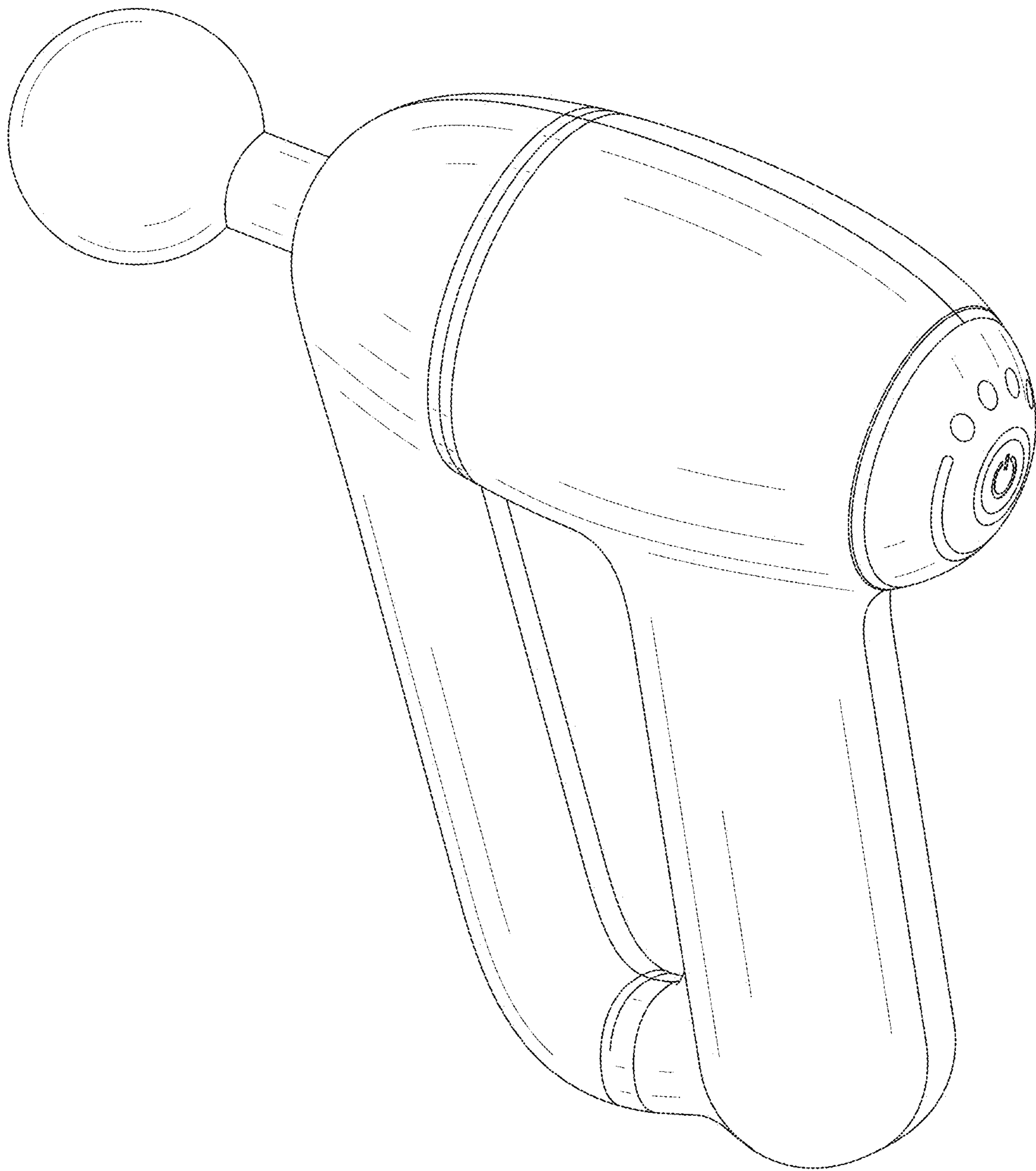


FIG. 1

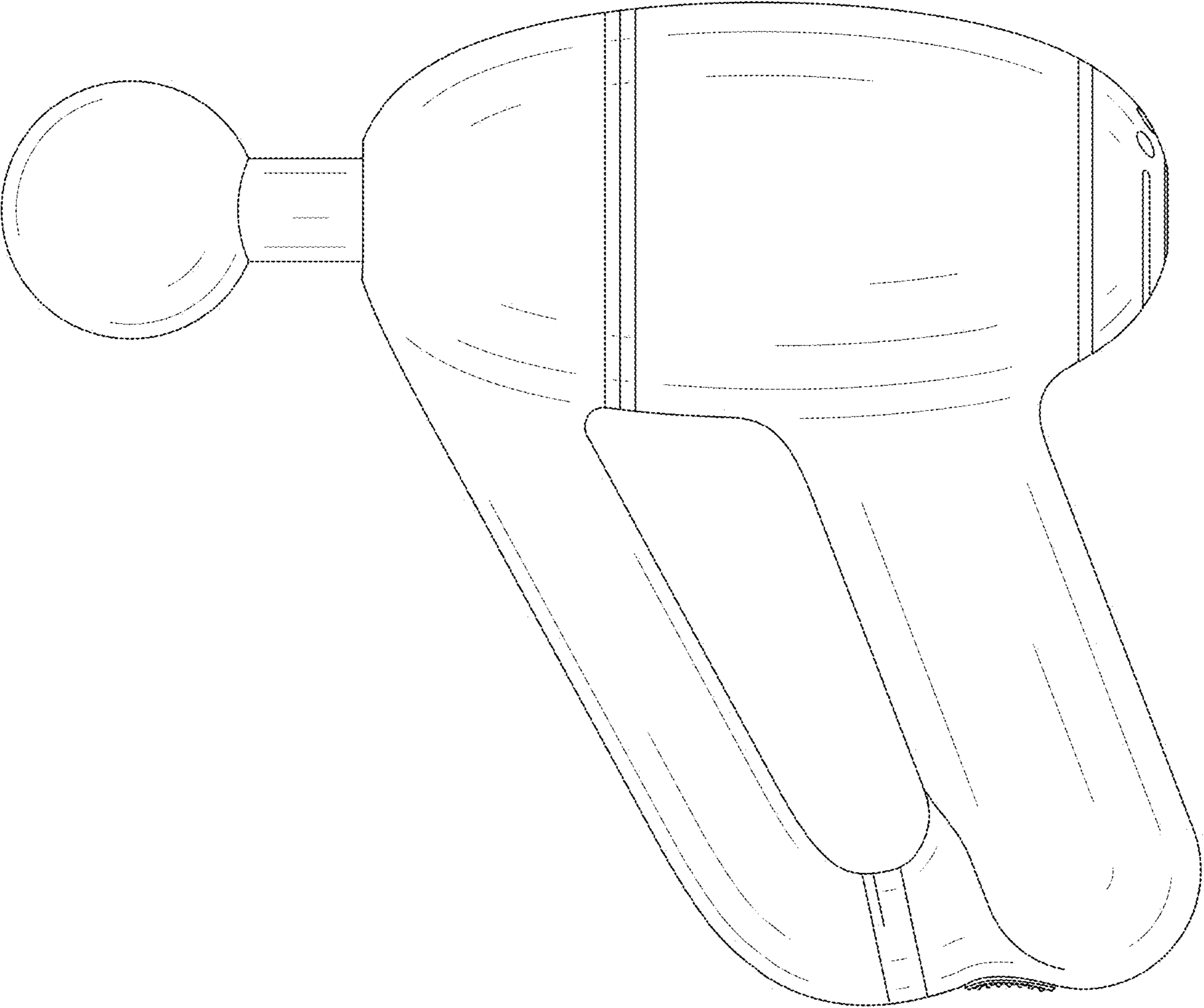


FIG. 2

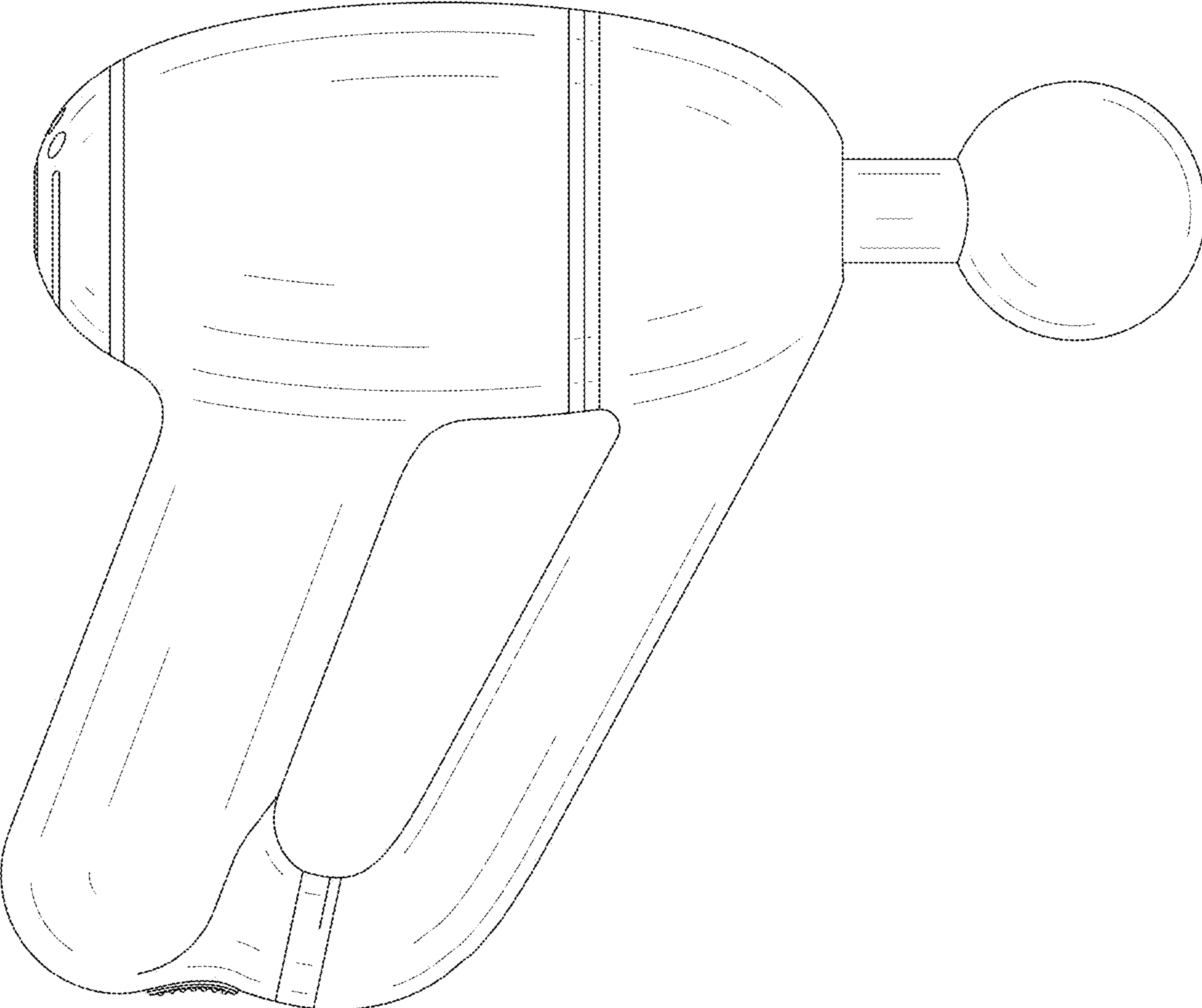


FIG. 3

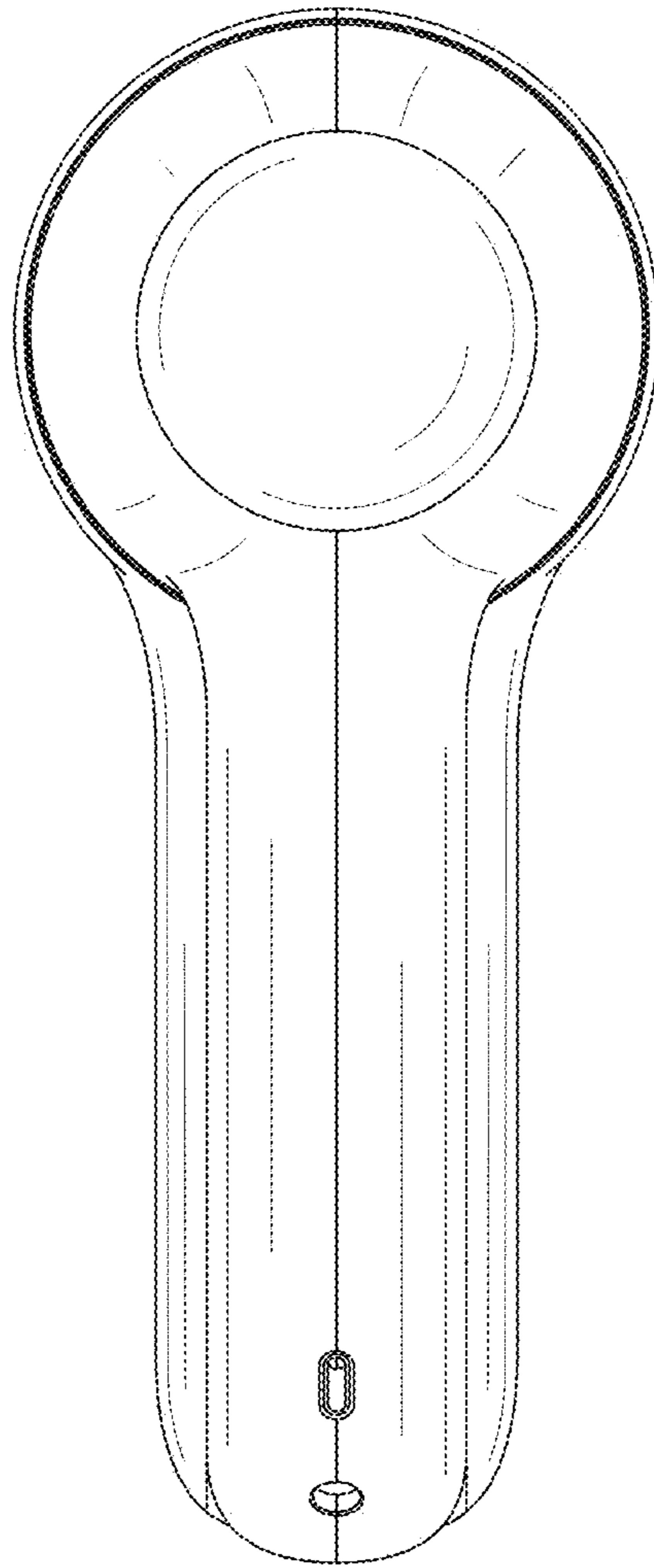


FIG. 4

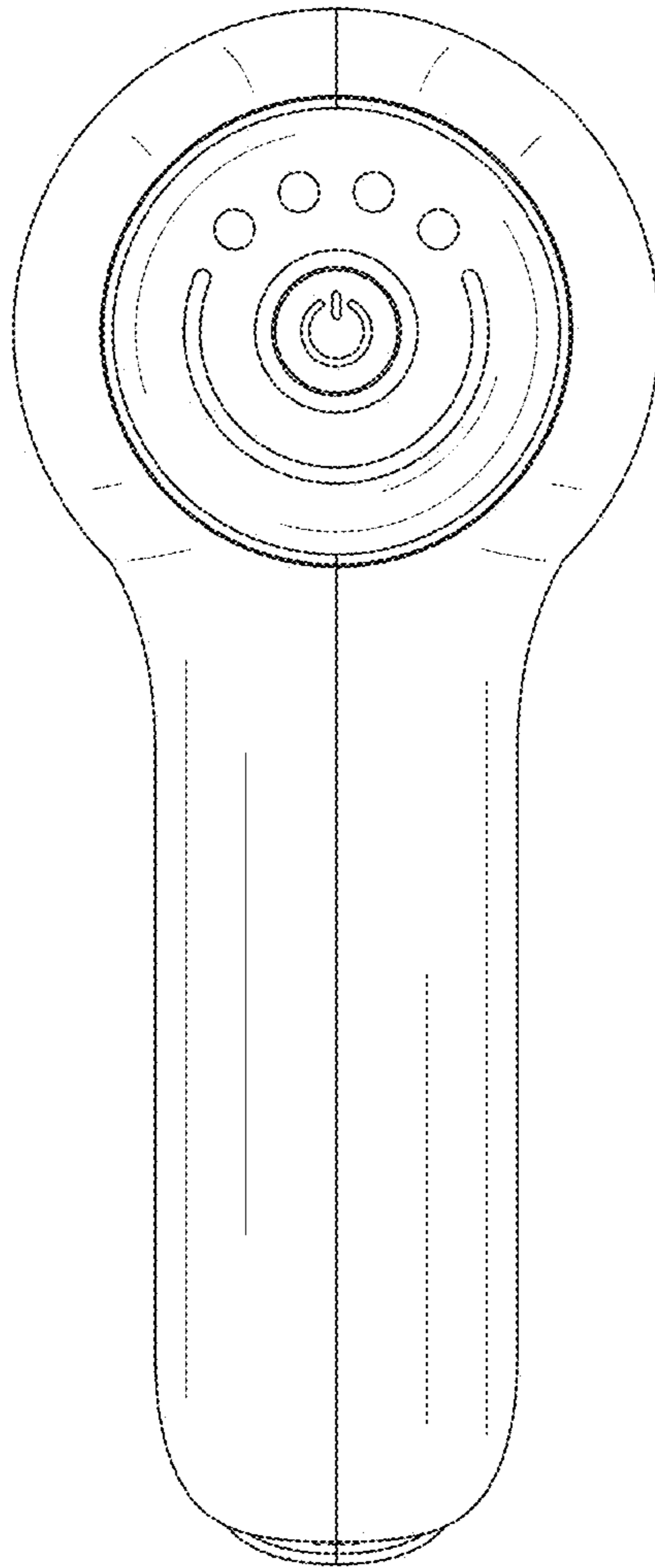


FIG. 5

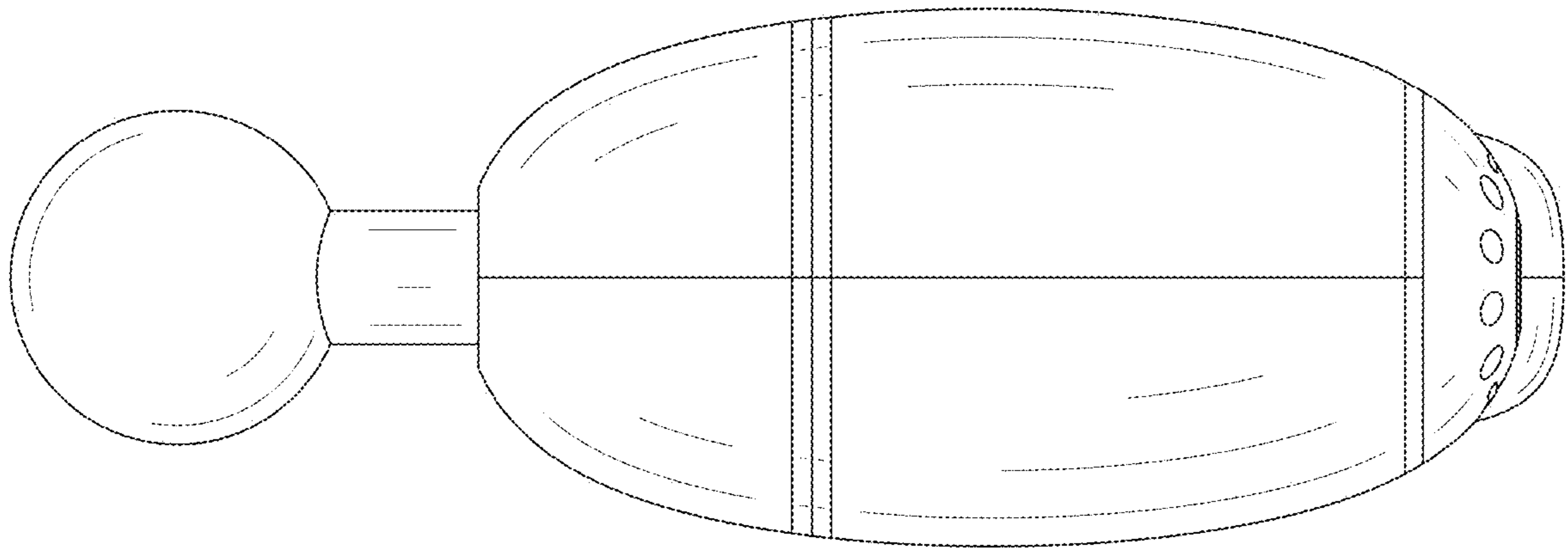


FIG. 6

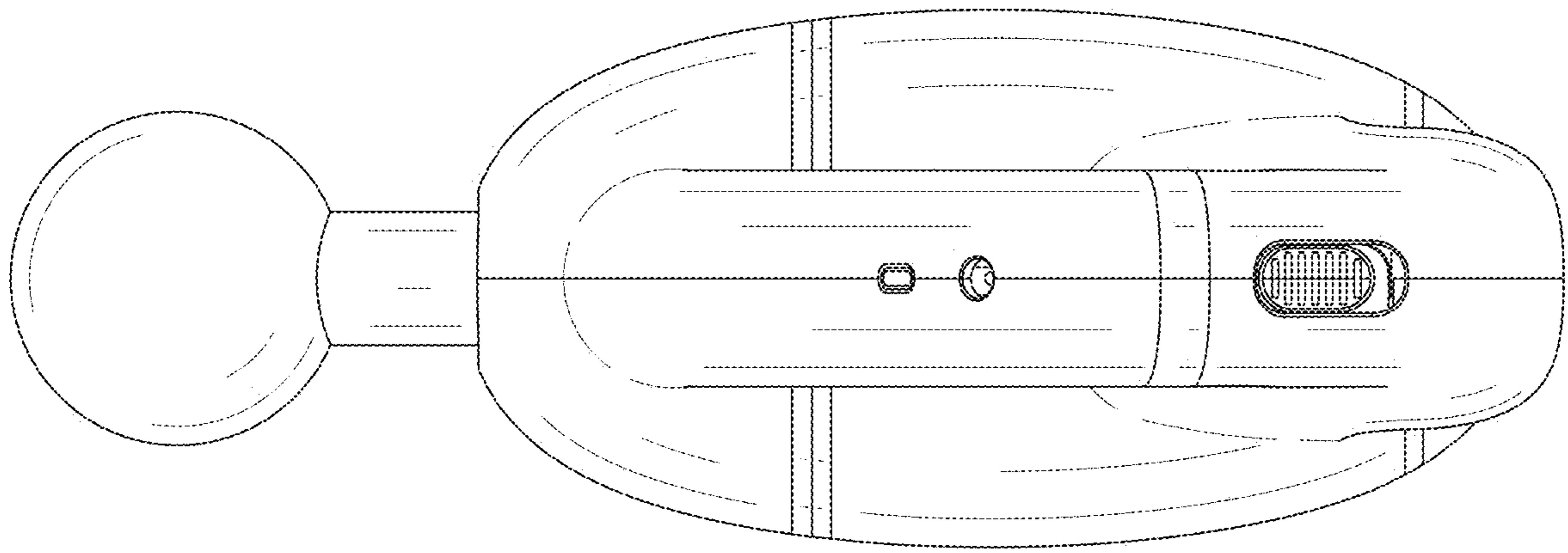


FIG. 7