



US00D968627S

(12) **United States Design Patent**
Kim et al.

(10) **Patent No.:** **US D968,627 S**

(45) **Date of Patent:** **** Nov. 1, 2022**

(54) **MEDICAL COOLING DEVICE**

FOREIGN PATENT DOCUMENTS

(71) Applicant: **RECENSMEDICAL, INC.**, Ulsan (KR)

CN 2660834 Y 12/2004
EP 1 030 611 B1 9/2004

(Continued)

(72) Inventors: **Gun Ho Kim**, Ulsan (KR); **Kyong Kwan Ro**, Uijeongbu-si (KR); **Boo Seong Park**, Hwaseong-si (KR); **Chul Ho Lee**, Yongin-si (KR); **Ho Young Joo**, Goyang-si (KR); **Eun Ho Kim**, Seoul (KR)

OTHER PUBLICATIONS

Recens Medical, recensmedical.com, [online], [site visited Feb. 9, 2022], Available from internet URL: <https://recensmedical.com/> (Year: 2022).*

(Continued)

(73) Assignees: **RecensMedical, Inc.**, Ulsan (KR); **UNIST (Ulsan National Institute of Science and Technology)**, Ulsan (KR)

Primary Examiner — Samantha Q Lawrence

Assistant Examiner — Holly M Rodriguez

(74) *Attorney, Agent, or Firm* — Knobbe Martens Olson & Bear LLP

(**) Term: **15 Years**

(57) **CLAIM**

(21) Appl. No.: **29/760,758**

The ornamental design for a medical cooling device, as shown and described.

(22) Filed: **Dec. 3, 2020**

DESCRIPTION

(30) **Foreign Application Priority Data**

Aug. 7, 2020 (KR) 30-2020-0036854

(51) **LOC (13) Cl.** **24-01**

(52) **U.S. Cl.**
USPC **D24/200**

(58) **Field of Classification Search**
USPC D13/110, 162, 164; D24/112–113, 127, D24/130, 133, 140, 144–147, 170, 200,
(Continued)

FIG. 1 is a perspective view of a medical cooling device according to the new design.

FIG. 2 is a front view of the medical cooling device of FIG. 1.

FIG. 3 is a rear view of the medical cooling device of FIG. 1.

FIG. 4 is a left side view of the medical cooling device of FIG. 1.

FIG. 5 is a right side view of the medical cooling device of FIG. 1.

FIG. 6 is a top plan view of the medical cooling device of FIG. 1; and,

FIG. 7 is a bottom plan view of the medical cooling device of FIG. 1.

The broken lines shown in figures illustrate portions of medical cooling device that form no part of the claimed design.

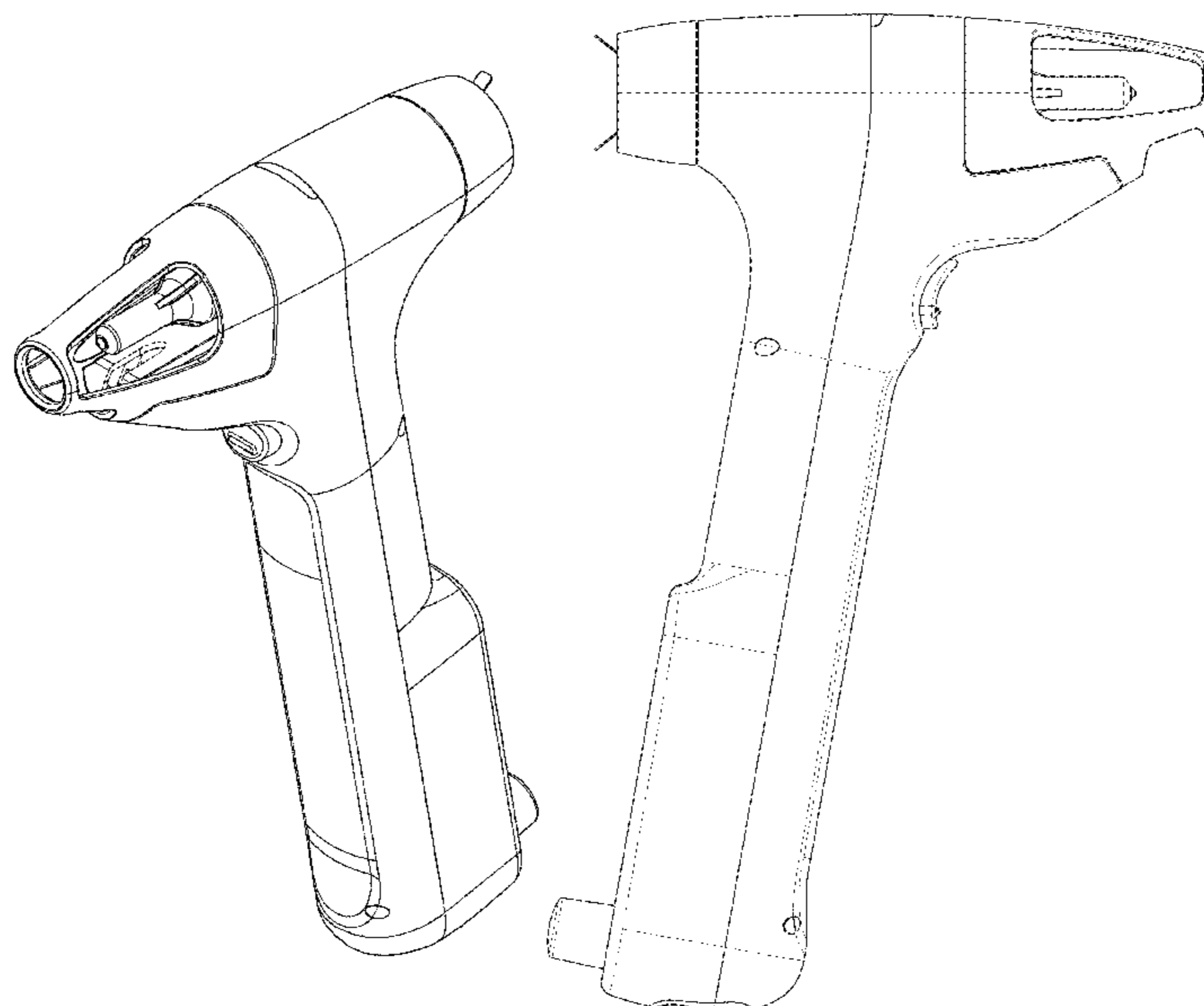
(56) **References Cited**

U.S. PATENT DOCUMENTS

2,044,823 A 6/1936 Whiteside
4,646,735 A 3/1987 Seney

(Continued)

1 Claim, 7 Drawing Sheets



US D968,627 S

(58) **Field of Classification Search**

USPC D24/206, 209, 185–186, 165, 215;
 D28/56–59, 7; D8/61–62, 68–69, 71;
 D9/503–505
 CPC . A61B 17/29; A61B 17/0218; A61B 17/2909;
 A61B 17/282; A61B 7/295; A61B
 2017/2926; A61B 10/04; A61B 10/0096;
 A61B 10/025; A61M 37/0076; A61M
 37/0084; A61M 37/00; A61M 5/46;
 A61M 5/48; A61M 37/0092; A61M
 5/482; A61M 5/2466; Y10T 29/49826;
 A61H 19/30; A61H 19/32; A61H 19/34;
 A61H 19/40; A61H 19/44; A61H 19/50;
 A61H 19/00; A61H 2201/0153; A61H
 2201/0207; A61H 2201/0263; A61H
 2201/0111; A61H 2201/1253; A61H
 2205/082; A61H 2205/085; A61H
 15/0085; A61N 1/36003; A61N 1/36014;
 A61N 1/36017; A61N 1/36021; A61N
 1/36; A61N 1/0456; A61N 1/36071
 See application file for complete search history.

(56) **References Cited**

U.S. PATENT DOCUMENTS

6,099,521 A 8/2000 Shaddock
 6,113,618 A * 9/2000 Nic B23D 61/123
 D24/146
 6,141,985 A 11/2000 Cluzeau et al.
 6,632,219 B1 10/2003 Baranov et al.
 6,669,688 B2 12/2003 Svaasand et al.
 7,037,326 B2 5/2006 Lee
 D603,501 S * 11/2009 Mudd D24/113
 7,780,656 B2 8/2010 Tankovich
 7,963,359 B2 6/2011 Silva et al.
 8,083,734 B2 12/2011 Steinfatt et al.
 D658,775 S 5/2012 Jiangminhui
 8,177,827 B2 5/2012 Shapiro
 8,256,233 B2 9/2012 Boyden et al.
 8,409,184 B2 4/2013 Baust et al.
 8,652,131 B2 2/2014 Muller et al.
 8,672,879 B2 3/2014 Grant et al.
 8,747,397 B2 6/2014 Baust et al.
 8,788,060 B2 7/2014 Nebrigic et al.
 8,858,583 B2 10/2014 Shtram et al.
 9,017,318 B2 4/2015 Fourkas et al.
 9,039,688 B2 5/2015 Palmer, III et al.
 9,066,712 B2 6/2015 Fourkas et al.
 9,113,855 B2 8/2015 Burger et al.
 9,155,584 B2 10/2015 Fourkas et al.
 D759,245 S * 6/2016 Leugers D24/146
 9,398,975 B2 7/2016 Müller et al.
 D771,243 S * 11/2016 DiMino D24/113
 9,522,031 B2 12/2016 Anderson et al.
 9,549,773 B2 1/2017 Anderson et al.
 D784,537 S * 4/2017 Houssiere D24/146
 9,642,741 B2 5/2017 Feng et al.
 D794,196 S * 8/2017 Russell D24/146
 9,801,677 B2 10/2017 Anderson et al.
 9,855,166 B2 1/2018 Anderson et al.
 9,956,355 B2 5/2018 Besirli et al.
 9,974,684 B2 5/2018 Anderson et al.
 D822,841 S 7/2018 Cheng
 10,085,881 B2 10/2018 Karnik et al.
 10,154,870 B2 12/2018 Ottanelli
 10,188,444 B2 1/2019 Fourkas et al.
 D840,032 S * 2/2019 Clifford D24/146
 10,213,244 B2 2/2019 Fourkas et al.
 10,322,248 B2 6/2019 Besirli et al.
 10,349,997 B1 7/2019 O'Reilly
 10,363,080 B2 7/2019 Elkins et al.
 D863,571 S * 10/2019 Yang D24/200
 10,543,032 B2 1/2020 Babkin et al.

D893,709 S * 8/2020 Girod D24/152
 D921,211 S * 6/2021 Jeong D24/206
 D921,911 S * 6/2021 Jeong D24/206
 2004/0102768 A1 5/2004 Cluzeau et al.
 2004/0111087 A1 6/2004 Stern et al.
 2005/0005626 A1 1/2005 McMahan
 2005/0059940 A1 3/2005 Weber et al.
 2005/0261753 A1 11/2005 Littrup et al.
 2006/0200117 A1 9/2006 Hermans
 2006/0213509 A1 9/2006 Marin et al.
 2007/0005048 A1 1/2007 Niedbala et al.
 2008/0164296 A1 7/2008 Shelton et al.
 2008/0221561 A1 9/2008 Geiger et al.
 2009/0036846 A1 2/2009 Dacquay et al.
 2009/0082751 A1 3/2009 Newman, Jr.
 2009/0124972 A1 5/2009 Fischer et al.
 2009/0149930 A1 6/2009 Schenck
 2009/0163902 A1 6/2009 DeLonzor et al.
 2010/0010480 A1 1/2010 Mehta et al.
 2010/0087805 A1 4/2010 Citterio et al.
 2010/0196343 A1 8/2010 O'Neil et al.
 2010/0198207 A1 8/2010 Elkins et al.
 2011/0072834 A1 3/2011 Ishikura et al.
 2011/0098791 A1 4/2011 Kim
 2011/0137268 A1 6/2011 Thomason et al.
 2011/0152850 A1 6/2011 Niedbala et al.
 2011/0177474 A1 7/2011 Jamnia et al.
 2011/0224761 A1 9/2011 Manstein
 2012/0130458 A1 5/2012 Ryba et al.
 2012/0191166 A1 7/2012 Callister et al.
 2012/0232549 A1 9/2012 Willyard et al.
 2012/0265278 A1 10/2012 Fourkas et al.
 2013/0116719 A1 5/2013 Shtram et al.
 2013/0184694 A1 7/2013 Fourkas et al.
 2013/0296811 A1 11/2013 Bangera et al.
 2013/0315924 A1 11/2013 Hsu et al.
 2014/0012226 A1 1/2014 Hochman
 2014/0200511 A1 7/2014 Boyden et al.
 2014/0277023 A1 9/2014 Sekino et al.
 2014/0303608 A1 10/2014 Taghizadeh
 2015/0051545 A1 2/2015 Henderson et al.
 2016/0058488 A1 3/2016 Fourkas et al.
 2016/0135864 A1 5/2016 Babkin
 2016/0143802 A1 5/2016 Tranfaglia et al.
 2016/0183996 A1 6/2016 Burger et al.
 2016/0242956 A1 8/2016 Gomez
 2016/0262820 A1 9/2016 Allison et al.
 2016/0279350 A1 9/2016 Besirli et al.
 2017/0014174 A1 1/2017 Levine et al.
 2017/0062793 A1 3/2017 Zakharyan et al.
 2017/0231816 A1 8/2017 Ryan
 2017/0232243 A1 8/2017 Herweljer
 2017/0304558 A1 10/2017 Besirli et al.
 2017/0354451 A1 12/2017 Marin et al.
 2018/0116705 A1 5/2018 Lee et al.
 2018/0235805 A1 8/2018 Burger et al.
 2018/0310979 A1 11/2018 Peled et al.
 2019/0000524 A1 1/2019 Rosen et al.
 2019/0015146 A1 1/2019 DuBois et al.
 2019/0015592 A1 * 1/2019 Jeon A61M 5/20
 2019/0038459 A1 2/2019 Karnik et al.
 2019/0175394 A1 6/2019 Kim
 2019/0175395 A1 6/2019 Kim
 2019/0175396 A1 * 6/2019 Kim A61B 18/02
 2019/0239938 A1 8/2019 Kazic et al.
 2019/0254866 A1 8/2019 Whiteley et al.
 2019/0290881 A1 9/2019 Kim
 2020/0007882 A1 1/2020 Abe et al.
 2020/0007883 A1 1/2020 Toresson
 2020/0054483 A1 2/2020 Kim
 2020/0100934 A1 4/2020 Ariano et al.
 2020/0309436 A1 10/2020 Kim
 2021/0007882 A1 1/2021 Kim

FOREIGN PATENT DOCUMENTS

EP 1 401 347 B1 8/2011
 EP 2 010 087 B1 11/2014
 EP 2 910 276 A1 8/2015

(56)

References Cited

FOREIGN PATENT DOCUMENTS

EP	2 759 272	B1	11/2018
JP	04-092663	A	3/1992
JP	06-086818	A	3/1994
JP	10-230435	A	9/1998
JP	2002-505155	A	2/2002
JP	4049358	B2	2/2002
JP	2004-515270	A	5/2004
JP	2005-080832	A	3/2005
JP	2008-212638	A	9/2008
JP	2008-545462	A	12/2008
JP	2009-034273	A	2/2009
JP	2009-056320	A	3/2009
JP	2011-077314	A	4/2011
JP	2012-143279	A	8/2012
JP	2013-142410	A	7/2013
JP	2014-198238	A	10/2014
JP	2015-510802	A	4/2015
JP	2017-113635	A	6/2017
KR	20-1998-0005117	U	3/1998
KR	2019-980005117	U	3/1998
KR	10-0200669	B1	3/1999
KR	10-2003-0068633	A	8/2003
KR	10-2004-0093706	A	11/2004
KR	10-0786539	B1	12/2007
KR	10-0790758	B1	12/2007
KR	10-2008-0045022	A	5/2008
KR	10-0851274	B1	8/2008
KR	10-2010-0041207	A	4/2010
KR	10-2010-0060222	A	6/2010
KR	10-2010-0135863	A	12/2010
KR	10-1053835	B1	8/2011
KR	10-2011-0119640	A	11/2011
KR	10-2012-0115703	A	10/2012
KR	10-2013-0087770	A	8/2013
KR	10-1366126	B1	2/2014
KR	10-1386137	B1	4/2014
KR	10-2014-0052667	A	5/2014
KR	10-2014-0069431	A	6/2014
KR	10-2015-0030264	A	3/2015
KR	10-2015-0062492	A	6/2015
KR	10-2016-0048425	A	5/2016
KR	10-2016-0146337	A	12/2016
KR	10-1707659	B1	2/2017
KR	10-1719459	B1	3/2017
KR	10-2017-0041776	A	4/2017
KR	10-2017-0083399	A	7/2017
KR	10-2017-0089842	A	8/2017
KR	10-1813652	B1	8/2017
KR	10-2017-0130470	A	11/2017
KR	10-1819204	B1	1/2018
KR	10-2018-0054247	A	5/2018
KR	10-1840346	B1	5/2018
KR	10-1862127	B1	5/2018
KR	10-2018-0109828	A	10/2018
KR	10-1936890	B1	1/2019
KR	10-2019-0074150	A	6/2019
WO	WO 2016/154399	A1	9/2016
WO	WO 2018/231868	A1	12/2018

OTHER PUBLICATIONS

CryoRelif, intenxiv.com, [online], [site visited Feb. 9, 2022], Available from internet URL: <https://www.intenxiv.com/cyrorelif> (Year: 2022).*

Meso Gun Cryo Cool Co2 Lifting Anti Aging Serum Frozen skin Gun, alisa.shop, [online], [site visited Feb. 9, 2022], Available from internet URL: <https://alisa.shop/products/meso-gun-cryo-cool-co2-lifting-anti-aging-serum-frozen-skin-gun-injector-cool-lift-mesotherapy-gun-mesogun-skin-care-machine> (Year: 2022).*

Chinese First Office Action dated Dec. 22, 2020 for CN 201780083128.0.

European (EUIPO) Examination Report dated Jan. 11, 2021 for 008309504-003.

European (EUIPO) Examination Report dated Feb. 5, 2021 for 008309504-003.

International Search Report dated Mar. 4, 2021, for PCT/KR2020/012886.

International Written Opinion dated Mar. 4, 2021, for PCT/KR2020/012886.

Office Action dated Dec. 24, 2020 for U.S. Appl. No. 17/036,269. Notice of Allowance dated Feb. 22, 2021 for U.S. Appl. No. 17/036,311.

Notice of Allowance dated Feb. 3, 2021 for U.S. Appl. No. 29/701,630.

Notice of Allowance dated Feb. 3, 2021 for U.S. Appl. No. 29/701,631.

International Search Report dated Jun. 4, 2018 for PCT/KR2017/012935.

International Search Report dated Jul. 6, 2018 for PCT/KR2018/003773.

International Search Report dated Aug. 8, 2018 for PCT/KR2017/013901.

International Search Report dated May 30, 2019 for PCT/KR2018/016491.

International Search Report and Written Opinion dated Aug. 14, 2019 for PCT/KR2019/005105.

International Search Report and Written Opinion dated Nov. 15, 2019 for PCT/KR2019/009411.

International Search Report dated Mar. 27, 2020, for PCT/KR2019/017328.

Korean Notice of Allowance dated Jun. 30, 2018 for KR 10-2016-0151947.

Korean Office Action dated Oct. 22, 2018 for KR 10-2017-0162715. Korean Notice of Allowance dated Aug. 29, 2019 for KR 10-2017-0162715.

Korean Office Action dated Oct. 22, 2018 for KR 10-2017-0162716. Korean Notice of Allowance dated Jul. 29, 2019 for KR 10-2017-0162716.

Korean Office Action dated Jul. 29, 2019 for KR 10-2017-0162717. Korean Final Office Action dated Jan. 17, 2020 for KR 10-2017-0162717 with Translation.

Korean Office Action dated Nov. 26, 2019 for KR 10-2018-0049108—w/ Trans.

Korean Final Office Action dated May 10, 2020, for KR 10-2018-0049109 with Translation.

Korean Office Action dated Nov. 27, 2019 for KR 10-2018-0049109—w/ Trans.

Korean Notice of Allowance dated Jun. 24, 2020 for KR 10-2018-0049109—w/ Trans.

Korean Office Action dated Dec. 6, 2019 for KR 10-2018-0049110—w/ Trans.

Korean Final Office Action dated May 10, 2020 for KR 10-2018-0049110—w/ Trans.

Korean Notice of Allowance dated Jun. 22, 2020 for KR 10-2018-0049110—w/ Trans.

Korean Office Action dated Dec. 9, 2019 for KR 10-2018-0049115—w/ Trans.

Korean Office Action dated May 10, 2020 for KR 10-2018-0049115, with Eng. Translation.

Korean Notice of Allowance dated Jul. 21, 2020 for KR 10-2018-0049115—w/ Trans.

Korean Office Action dated Dec. 10, 2019 for KR 10-2018-0049117—w/ Trans.

Korean Notice of Allowance dated May 10, 2020 for KR 10-2018-0049117.

Korean Office Action dated Oct. 8, 2019 for KR 10-2018-0052601. Korean Second Office Action, with translation, dated Oct. 28, 2019 for KR 10-2018-0052601.

Korean Notice of Allowance dated Apr. 2, 2020 for KR 10-2018-0052601 with Eng. Translation.

Korean Office Action dated Oct. 22, 2018, for KR 10-2018-0117138.

Office Action dated Oct. 2, 2019 for U.S. Appl. No. 15/828,449.

Office Action dated May 15, 2020 for U.S. Appl. No. 15/828,449.

Office Action dated Sep. 13, 2019 for U.S. Appl. No. 16/412,296.

Final Office Action dated Jan. 31, 2020 for U.S. Appl. No. 16/412,296.

(56)

References Cited

OTHER PUBLICATIONS

Office Action dated Jun. 26, 2020 for U.S. Appl. No. 16/412,296.
Final Office Action dated Oct. 28, 2020 for U.S. Appl. No. 16/412,296.
Office Action dated Dec. 8, 2020 for U.S. Appl. No. 17/036,311.
Office Action dated Nov. 5, 2020 for U.S. Appl. No. 29/701,630.
Office Action dated Nov. 5, 2020 for U.S. Appl. No. 23/701,631.
Smith et al., "Ice Anesthesia for Injection of Dermal Fillers," The American Society for Dermatologic Surgery Inc., Dermatol. Surg 2010;36:812-814, 2010.
Sarifakioglu, et al., "Evaluating the Effects of Ice Application on the Pain Felt During Botulinum Toxin Type-A Injections," Annals of Plastic Surgery, vol. 53, No. 6, Dec. 2004.

* cited by examiner

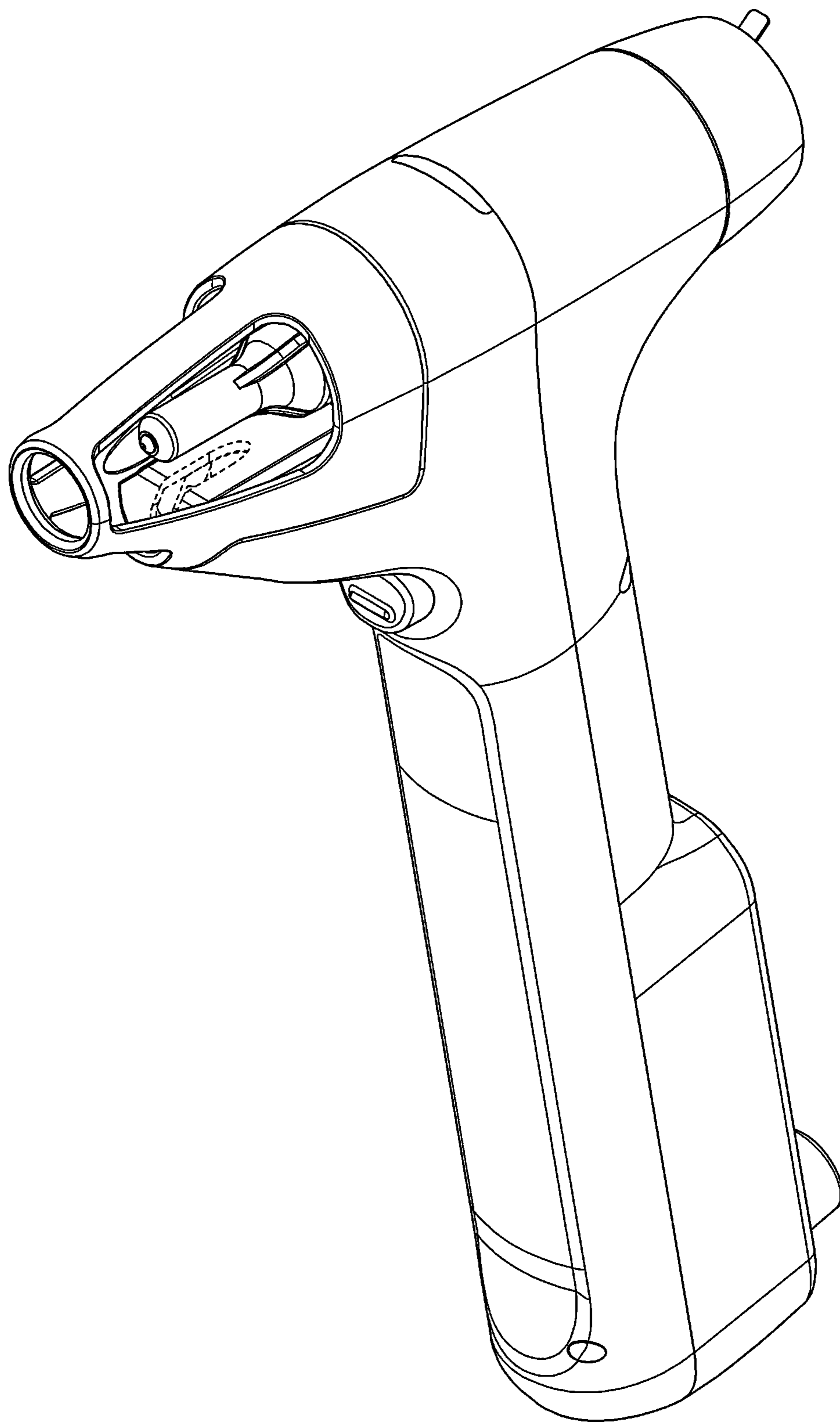


FIG. 1

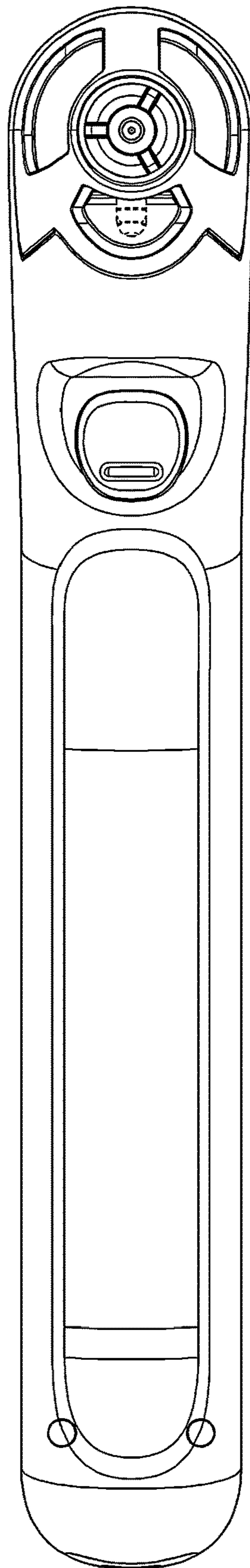


FIG. 2

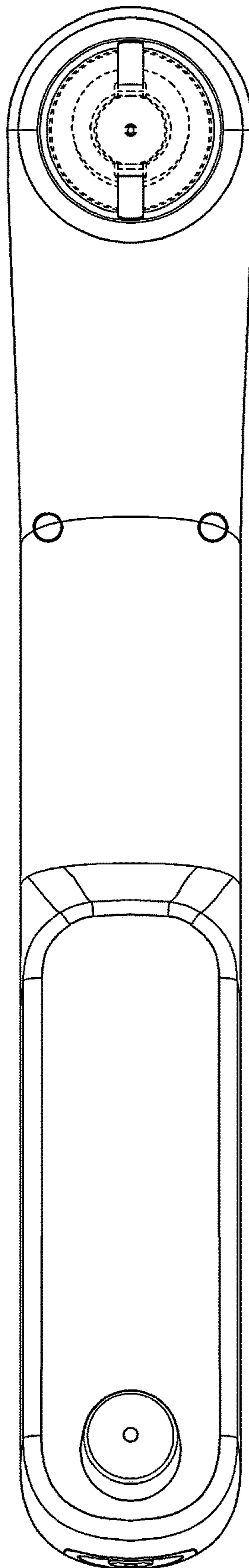


FIG. 3

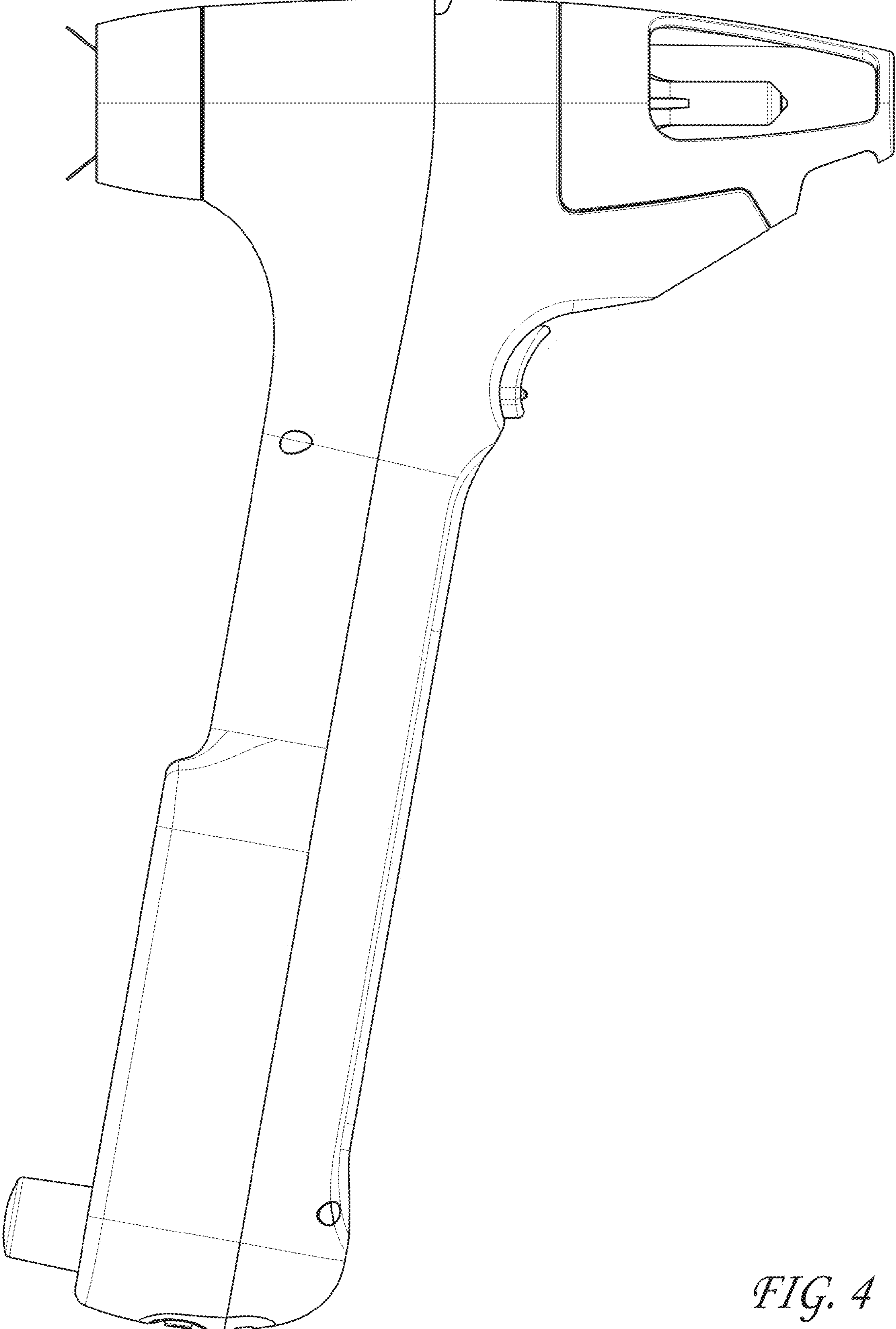


FIG. 4

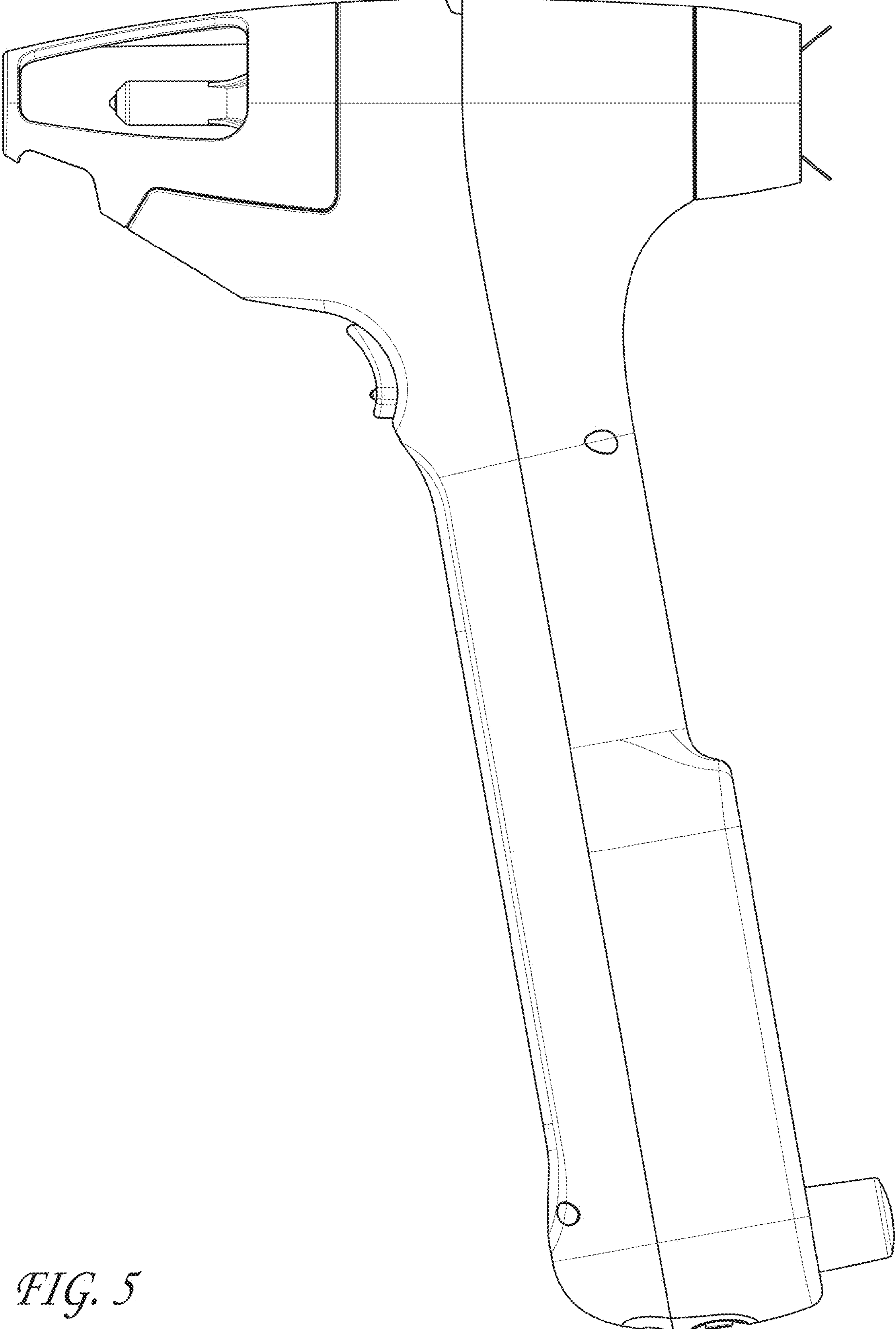


FIG. 5

6/7

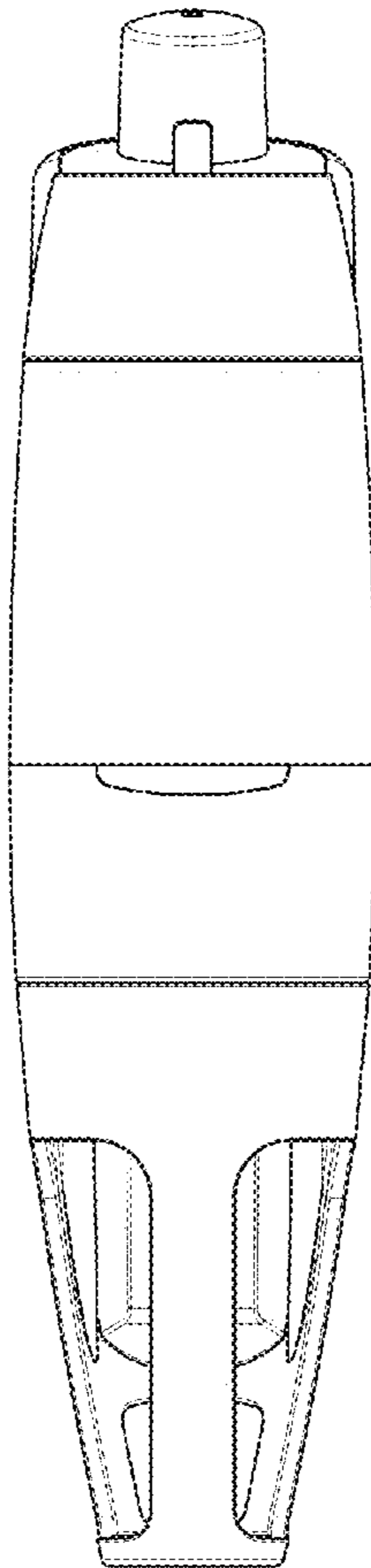


FIG. 6

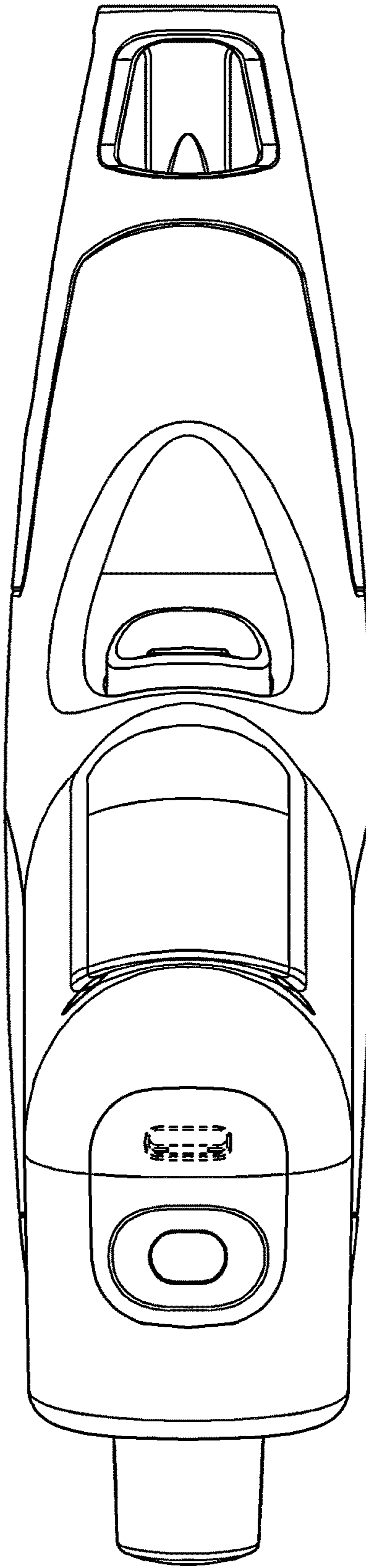


FIG. 7