



US00D968626S

(12) **United States Design Patent**
Kim et al.

(10) **Patent No.:** **US D968,626 S**
(45) **Date of Patent:** **** Nov. 1, 2022**

(54) **MEDICAL COOLING DEVICE**

FOREIGN PATENT DOCUMENTS

(71) Applicant: **RECENSMEDICAL, INC.**, Ulsan (KR)

CN 2660834 Y 12/2004
EP 1 030 611 B1 9/2004

(Continued)

(72) Inventors: **Gun Ho Kim**, Ulsan (KR); **Dae Hyun Kim**, Hwaseong-si (KR); **Ho Young Joo**, Goyang-si (KR); **Eun Ho Kim**, Seoul (KR)

OTHER PUBLICATIONS

Ocu-Cool, connections.fimeshow.com, [online], [site visited Feb. 9, 2022], Available from internet URL: <https://connections.fimeshow.com/event/fime/product/UHJvZHVjdF80NjMyMjA%3D> (Year: 2022).*

(Continued)

(73) Assignees: **RecensMedical, Inc.**, Ulsan (KR); **UNIST (Ulsan National Institute of Science and Technology)**, Ulsan (KR)

Primary Examiner — Samantha Q Lawrence

Assistant Examiner — Holly M Rodriguez

(**) Term: **15 Years**

(74) *Attorney, Agent, or Firm* — Knobbe Martens Olson & Bear LLP

(21) Appl. No.: **29/760,757**

(22) Filed: **Dec. 3, 2020**

(57) **CLAIM**

The ornamental design for a medical cooling device, as shown and described.

(30) **Foreign Application Priority Data**

DESCRIPTION

Aug. 7, 2020 (KR) 30-2020-0036853

(51) **LOC (13) Cl.** **24-01**

(52) **U.S. Cl.**
USPC **D24/200; D24/206**

(58) **Field of Classification Search**
USPC D13/110, 162, 164; D24/112–113, 127, D24/130, 133, 140, 144–147, 170, 200, D24/206, 209, 185–186, 165, 215; D28/56–59, 7; D8/61–62, 68–69, 71; D9/503–505

(Continued)

FIG. 1 is a perspective view of a medical cooling device according to an embodiment.

FIG. 2 is a front view of the medical cooling device of FIG. 1.

FIG. 3 is a rear view of the medical cooling device of FIG. 1.

FIG. 4 is a left side view of the medical cooling device of FIG. 1.

FIG. 5 is a right side view of the medical cooling device of FIG. 1.

FIG. 6 is a top plan view of the medical cooling device of FIG. 1; and,

FIG. 7 is a bottom plan view of the medical cooling device of FIG. 1.

The broken lines illustrate portions of the medical cooling device that form no part of the claimed design.

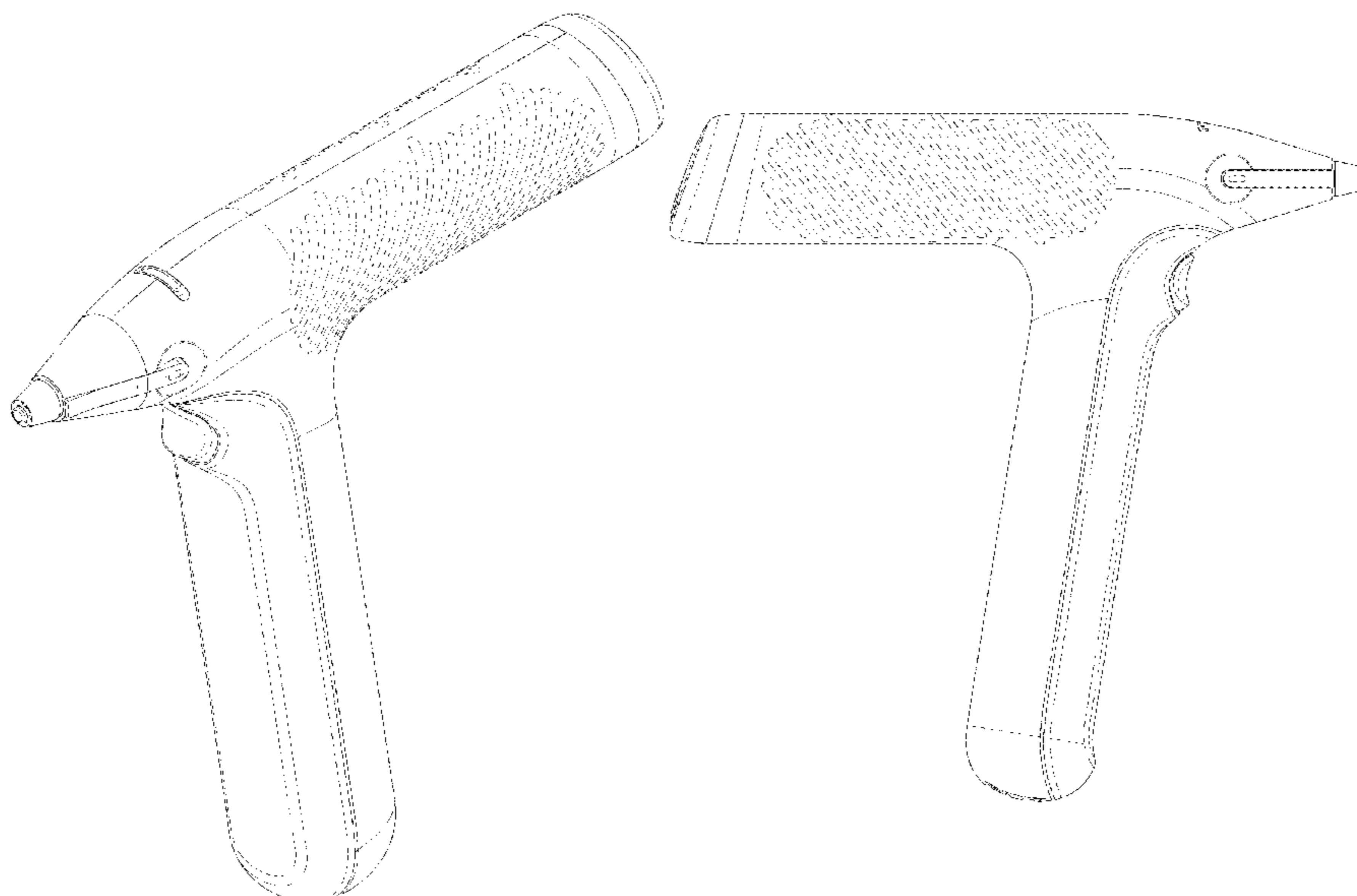
(56) **References Cited**

U.S. PATENT DOCUMENTS

2,044,823 A 6/1936 Whiteside
4,646,735 A 3/1987 Seney

(Continued)

1 Claim, 7 Drawing Sheets



(58) **Field of Classification Search**

CPC . A61B 17/29; A61B 17/0218; A61B 17/2909;
 A61B 17/282; A61B 7/295; A61B
 2017/2926; A61B 10/04; A61B 10/0096;
 A61B 10/025; A61M 37/0076; A61M
 37/0084; A61M 37/00; A61M 5/46;
 A61M 5/48; A61M 37/0092; A61M
 5/482; A61M 5/2466; Y10T 29/49826;
 A61H 19/30; A61H 19/32; A61H 19/34;
 A61H 19/40; A61H 19/44; A61H 19/50;
 A61H 19/00; A61H 2201/0153; A61H
 2201/0207; A61H 2201/0263; A61H
 2201/0111; A61H 2201/1253; A61H
 2205/082; A61H 2205/085; A61H
 15/0085; A61N 1/36003; A61N 1/36014;
 A61N 1/36017; A61N 1/36021; A61N
 1/36; A61N 1/0456; A61N 1/36071

See application file for complete search history.

(56) **References Cited**

U.S. PATENT DOCUMENTS

6,099,521	A	8/2000	Shaddock	
6,113,618	A *	9/2000	Nic	B23D 61/123 D24/146
6,141,985	A	11/2000	Cluzeau et al.	
6,632,219	B1	10/2003	Baranov et al.	
6,669,688	B2	12/2003	Svaasand et al.	
7,037,326	B2	5/2006	Lee	
D603,501	S *	11/2009	Mudd	D24/113
7,780,656	B2	8/2010	Tankovich	
7,963,959	B2	6/2011	Silva et al.	
8,083,734	B2	12/2011	Steinfatt et al.	
D658,775	S	5/2012	Jlangminhui	
8,177,827	B2	5/2012	Shapiro	
8,256,233	B2	9/2012	Boyden et al.	
8,409,184	B2	4/2013	Baust et al.	
8,652,131	B2	2/2014	Muller et al.	
8,672,879	B2	3/2014	Grant et al.	
8,747,397	B2	6/2014	Baust et al.	
8,788,060	B2	7/2014	Nebrigic et al.	
8,858,583	B2	10/2014	Shttram et al.	
9,017,318	B2	4/2015	Fourkas et al.	
9,039,688	B2	5/2015	Palmer, III et al.	
9,066,712	B2	6/2015	Fourkas et al.	
9,113,855	B2	8/2015	Burger et al.	
9,155,584	B2	10/2015	Fourkas et al.	
D759,245	S *	6/2016	Leugers	D24/146
9,398,975	B2	7/2016	Müller et al.	
D771,243	S *	11/2016	DiMino	D24/113
9,522,031	B2	12/2016	Anderson et al.	
9,549,773	B2	1/2017	Anderson et al.	
D784,537	S *	4/2017	Houssiere	D24/146
9,642,741	B2	5/2017	Feng et al.	
D794,196	S *	8/2017	Russell	D24/146
9,801,677	B2	10/2017	Anderson et al.	
9,855,166	B2	1/2018	Anderson et al.	
9,956,355	B2	5/2018	Besirli et al.	
9,974,684	B2	5/2018	Anderson et al.	
D822,841	S	7/2018	Cheng	
10,085,881	B2	10/2018	Karnik et al.	
10,154,870	B2	12/2018	Ottanelli	
10,188,444	B2	1/2019	Fourkas et al.	
D840,032	S *	2/2019	Clifford	D24/146
10,213,244	B2	2/2019	Fourkas et al.	
10,322,248	B2	6/2019	Besirli et al.	
10,349,997	B1	7/2019	O'Reilly	
10,363,080	B2	7/2019	Elkins et al.	
D863,571	S *	10/2019	Yang	D24/200
10,543,032	B2	1/2020	Babkin et al.	
D893,709	S *	8/2020	Girod	D24/152
D921,211	S *	6/2021	Jeong	D24/206
D921,911	S *	6/2021	Jeong	D24/206
2004/0102768	A1	5/2004	Cluzeau et al.	

2004/0111087	A1	6/2004	Stern et al.	
2005/0005626	A1	1/2005	McMahon	
2005/0059940	A1	3/2005	Weber et al.	
2005/0261753	A1	11/2005	Littrup et al.	
2006/0200117	A1	9/2006	Hermans	
2006/0213509	A1	9/2006	Marin et al.	
2007/0005048	A1	1/2007	Niedbala et al.	
2008/0164296	A1	7/2008	Shelton et al.	
2008/0221561	A1	9/2008	Geiger et al.	
2009/0036846	A1	2/2009	Dacquay et al.	
2009/0082751	A1	3/2009	Newman, Jr.	
2009/0124972	A1	5/2009	Fischer et al.	
2009/0149930	A1	6/2009	Schenck	
2009/0163902	A1	6/2009	DeLonzor et al.	
2010/0010480	A1	1/2010	Mehta et al.	
2010/0087805	A1	4/2010	Citterio et al.	
2010/0196343	A1	8/2010	O'Neil et al.	
2010/0198207	A1	8/2010	Elkins et al.	
2011/0072834	A1	3/2011	Ishikura et al.	
2011/0098791	A1	4/2011	Kim	
2011/0137268	A1	6/2011	Thomason et al.	
2011/0152850	A1	6/2011	Niedbala et al.	
2011/0177474	A1	7/2011	Jamnia et al.	
2011/0224761	A1	9/2011	Manstein	
2012/0130458	A1	5/2012	Ryba et al.	
2012/0191166	A1	7/2012	Callister et al.	
2012/0232549	A1	9/2012	Willyard et al.	
2012/0265278	A1	10/2012	Fourkas et al.	
2013/0116719	A1	5/2013	Shttram et al.	
2013/0184694	A1	7/2013	Fourkas et al.	
2013/0296811	A1	11/2013	Bangera et al.	
2013/0315924	A1	11/2013	Hsu et al.	
2014/0012226	A1	1/2014	Hochman	
2014/0200511	A1	7/2014	Boyden et al.	
2014/0277023	A1	9/2014	Sekino et al.	
2014/0303608	A1	10/2014	Taghizadeh	
2015/0051545	A1	2/2015	Henderson et al.	
2016/0058488	A1	3/2016	Fourkas et al.	
2016/0135864	A1	5/2016	Babkin	
2016/0143802	A1	5/2016	Tranfaglia et al.	
2016/0183996	A1	6/2016	Burger et al.	
2016/0242958	A1	8/2016	Gomez	
2016/0262820	A1	9/2016	Allison et al.	
2016/0279350	A1	9/2016	Besirli et al.	
2017/0014174	A1	1/2017	Levine et al.	
2017/0062793	A1	3/2017	Zakharyan et al.	
2017/0231816	A1	8/2017	Ryan	
2017/0232243	A1	8/2017	Herweijer	
2017/0304558	A1	10/2017	Besirli et al.	
2017/0354451	A1	12/2017	Marin et al.	
2018/0118705	A1	5/2018	Lee et al.	
2018/0235805	A1	8/2018	Burger et al.	
2018/0310979	A1	11/2018	Peled et al.	
2019/0000524	A1	1/2019	Rosen et al.	
2019/0015146	A1	1/2019	DuBois et al.	
2019/0015592	A1 *	1/2019	Jeon	A61M 5/20
2019/0038459	A1	2/2019	Karnik et al.	
2019/0175394	A1	6/2019	Kim	
2019/0175395	A1	6/2019	Kim	
2019/0175396	A1	6/2019	Kim	
2019/0239938	A1	8/2019	Kazic et al.	
2019/0254866	A1	8/2019	Whiteley et al.	
2019/0290881	A1	9/2019	Kim	
2020/0007882	A1	1/2020	Abe et al.	
2020/0007883	A1	1/2020	Toresson	
2020/0054483	A1	2/2020	Kim	
2020/0100934	A1	4/2020	Ariano et al.	
2020/0309436	A1	10/2020	Kim	
2021/0007882	A1	1/2021	Kim	

FOREIGN PATENT DOCUMENTS

EP	1 401 347	B1	8/2011
EP	2 010 087	B1	11/2014
EP	2 910 276	A1	8/2015
EP	2 759 272	B1	11/2018
JP	04-092663	A	3/1992
JP	06-086818	A	3/1994
JP	10-230435	A	9/1998

(56)

References Cited

FOREIGN PATENT DOCUMENTS

JP	2002-505155	A	2/2002
JP	4049358	B2	2/2002
JP	2004-515270	A	5/2004
JP	2005-080832	A	3/2005
JP	2008-212638	A	9/2008
JP	2008-545462	A	12/2008
JP	2009-034273	A	2/2009
JP	2009-056320	A	3/2009
JP	2011-077314	A	4/2011
JP	2012-143279	A	8/2012
JP	2013-142410	A	7/2013
JP	2014-198238	A	10/2014
JP	2015-510802	A	4/2015
JP	2017-113835	A	8/2017
KR	20-1998-0005117	U	3/1998
KR	2019-980005117	U	3/1998
KR	10-0200669	B1	3/1999
KR	10-2003-0068633	A	8/2003
KR	10-2004-0093706	A	11/2004
KR	10-0786539	B1	12/2007
KR	10-0790758	B1	12/2007
KR	10-2006-0045022	A	5/2008
KR	10-0851274	B1	8/2008
KR	10-2010-0041207	A	4/2010
KR	10-2010-0060222	A	6/2010
KR	10-2010-0135863	A	12/2010
KR	10-1053835	B1	8/2011
KR	10-2011-0119640	A	11/2011
KR	10-2012-0115703	A	10/2012
KR	10-2013-0087770	A	8/2013
KR	10-1366126	B1	2/2014
KR	10-1386137	B1	4/2014
KR	10-2014-0052667	A	5/2014
KR	10-2014-0069431	A	6/2014
KR	10-2015-0030264	A	3/2015
KR	10-2015-0062492	A	6/2015
KR	10-2016-0048425	A	5/2016
KR	10-2016-0146337	A	12/2016
KR	10-1707659	B1	2/2017
KR	10-1719459	B1	3/2017
KR	10-2017-0041776	A	4/2017
KR	10-2017-0083399	A	7/2017
KR	10-2017-0089842	A	8/2017
KR	10-1813652	B1	8/2017
KR	10-2017-0130470	A	11/2017
KR	10-1619204	B1	1/2018
KR	10-2018-0054247	A	5/2018
KR	10-1840346	B1	5/2018
KR	10-1862127	B1	5/2018
KR	10-2018-0109828	A	10/2018
KR	10-1936890	B1	1/2019
KR	10-2019-0074150	A	6/2019
WO	WO 2016/154399	A1	9/2016
WO	WO 2018/231868	A1	12/2018

OTHER PUBLICATIONS

Chinese First Office Action dated Dec. 22, 2020 for CN 201780083128.0.

European (EUIPO) Examination Report dated Jan. 11, 2021 for 008309504-003.

European (EUIPO) Examination Report dated Feb. 5, 2021 for 008309504-003.

International Search Report dated Mar. 4, 2021, for PCT/KR2020/012886.

International Written Opinion dated Mar. 4, 2021, for PCT/KR2020/012886.

Office Action dated Dec. 24, 2020 for U.S. Appl. No. 17/036,269.

Notice of Allowance dated Feb. 22, 2021 for U.S. Appl. No. 17/036,311.

Notice of Allowance dated Feb. 3, 2021 for U.S. Appl. No. 29/701,630.

Notice of Allowance dated Feb. 3, 2021 for U.S. Appl. No. 29/701,631.

International Search Report dated Jun. 4, 2018 for PCT/KR2017/912935.

International Search Report dated Jul. 6, 2018 for PCT/KR2018/003773.

International Search Report dated Aug. 8, 2018 for PCT/KR2017/013901.

International Search Report dated May 30, 2019 for PCT/KR2018/016491.

International Search Report and Written Opinion dated Aug. 14, 2019 for PCT/KR2019/005105.

International Search Report and Written Opinion dated Nov. 15, 2019 for PCT/KR2019/009411.

International Search Report dated Mar. 27, 2020, for PCT/KR2019/017328.

Korean Notice of Allowance dated Jun. 30, 2018 for KR 10-2016-0151947.

Korean Office Action dated Oct. 22, 2018 for KR 10-2017-0162715.

Korean Notice of Allowance dated Aug. 29, 2019 for KR 10-2017-0162715.

Korean Office Action dated Oct. 22, 2018 for KR 10-2017-0162716.

Korean Notice of Allowance dated Jul. 29, 2019 for KR 10-2017-0162716.

Korean Office Action dated Jul. 29, 2019 for KR 10-2017-0162717.

Korean Final Office Action dated Jan. 17, 2020 for KR 10-2017-0162717 with Translation.

Korean Office Action dated Nov. 26, 2019 for KR 10-2018-0049108—w/ Trans.

Korean Final Office Action dated May 10, 2020, for KR 10-2018-0049109 with Translation.

Korean Office Action dated Nov. 27, 2019 for KR 10-2018-0049109—w/ Trans.

Korean Notice of Allowance dated Jun. 24, 2020 for KR 10-2018-0049109—w/ Trans.

Korean Office Action dated Dec. 6, 2019 for KR 10-2018-0049110—w/ Trans.

Korean Final Office Action dated May 10, 2020 for KR 10-2018-0049110—w/ Trans.

Korean Notice of Allowance dated Jun. 22, 2020 for KR 10-2018-0049110—w/ Trans.

Korean Office Action dated Dec. 9, 2019 for KR 10-2018-9049115—w/ Trans.

Korean Office Action dated May 10, 2020 for KR 10-2918-0949115, with Eng. Translation.

Korean Notice of Allowance dated Jul. 21, 2020 for KR 10-2018-0049115—w/ Trans.

Korean Office Action dated Dec. 10, 2019 for KR 10-2018-0049117—w/ Trans.

Korean Notice of Allowance dated May 10, 2020 for KR 10-2018-0049117.

Korean Office Action dated Oct. 8, 2019 for KR 10-2018-0052601.

Korean Second Office Action, with translation, dated Oct. 28, 2019 for KR 10-2018-0052601.

Korean Notice of Allowance dated Apr. 2, 2020 for KR 10-2018-0052601 with Eng. Translation.

Korean Office Action dated Oct. 22, 2018, for KR 10-2018-0117138.

Office Action dated Oct. 2, 2019 for U.S. Appl. No. 15/828,449.

Office Action dated May 15, 2020 for U.S. Appl. No. 15/828,449.

Office Action dated Sep. 13, 2019 for U.S. Appl. No. 16/412,296.

Final Office Action dated Jan. 31, 2020 for U.S. Appl. No. 16/412,296.

Office Action dated Jun. 26, 2020 for U.S. Appl. No. 16/412,296.

Final Office Action dated Oct. 28, 2020 for U.S. Appl. No. 16/412,296.

Office Action dated Dec. 8, 2020 for U.S. Appl. No. 17/036,311.

Office Action dated Nov. 5, 2020 for U.S. Appl. No. 29/701,630.

Office Action dated Nov. 5, 2020 for U.S. Appl. No. 23/701,631.

Smith et al., "Ice Anesthesia for injection of Dermal Fillers," The American Society for Dermatologic Surgery Inc., Dermatol. Surg 2010;36:812-814, 2010.

(56)

References Cited

OTHER PUBLICATIONS

Sarifakioglu, et al., "Evaluating the Effects of Ice Application on the Pain Felt During Botulinum Toxin Type-A Injections," *Annals of Plastic Surgery*, vol. 53, No. 6, Dec. 2004.

* cited by examiner

FIG. 1

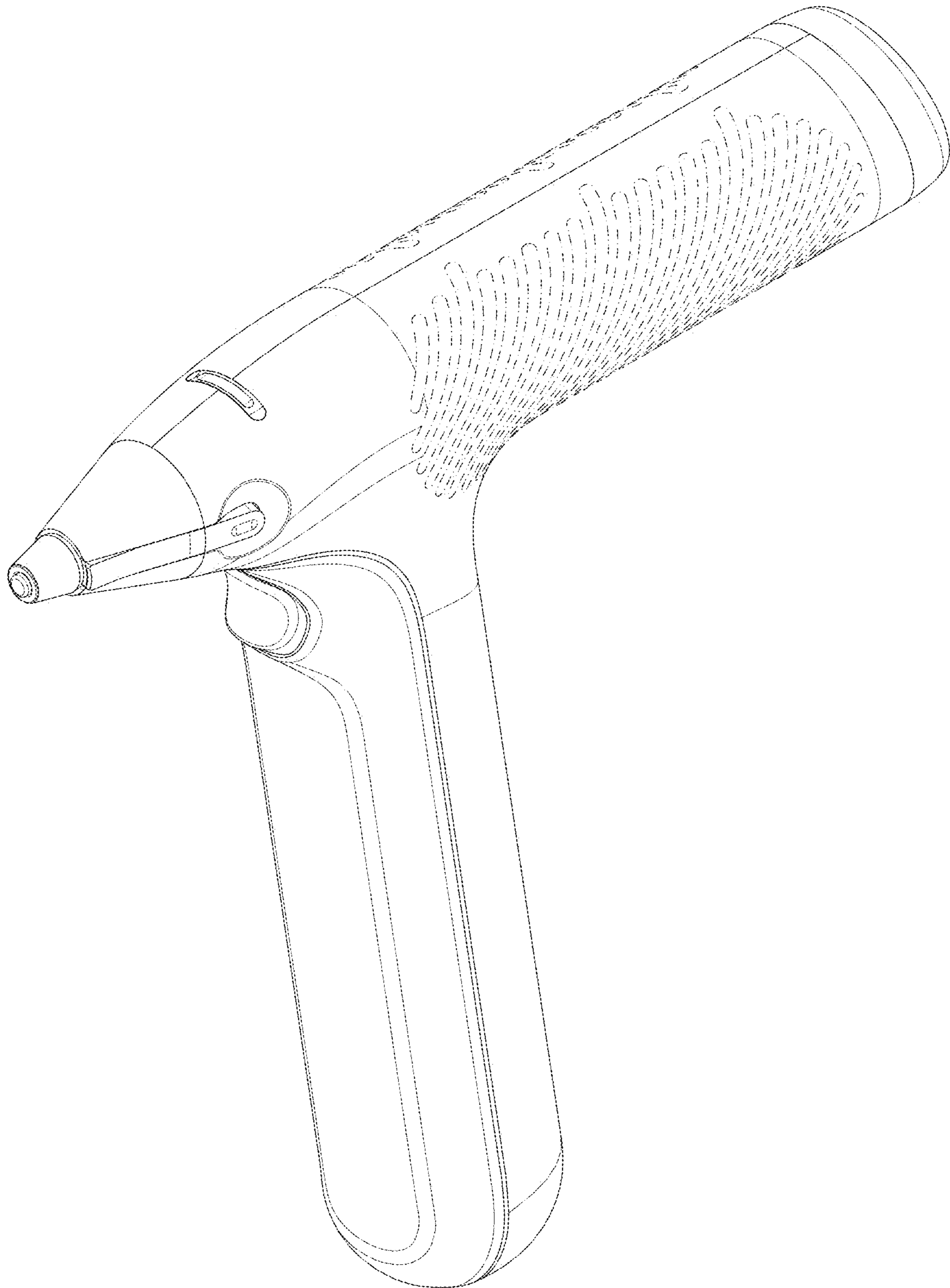


FIG. 2

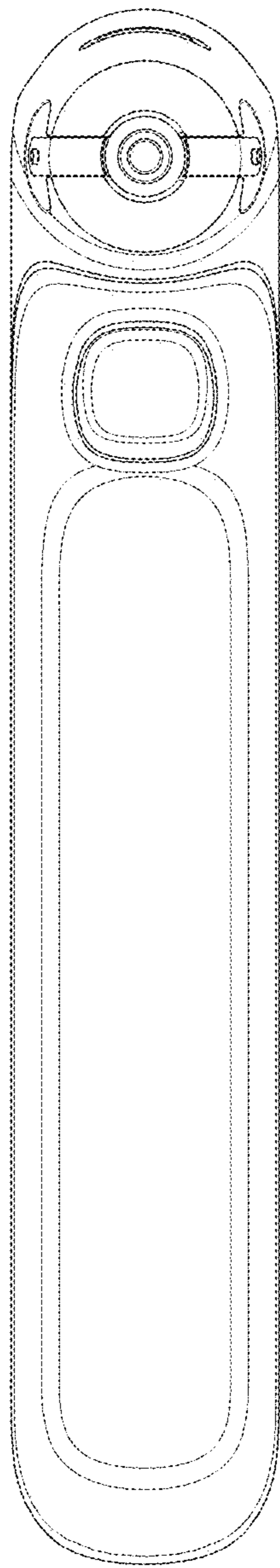


FIG. 3

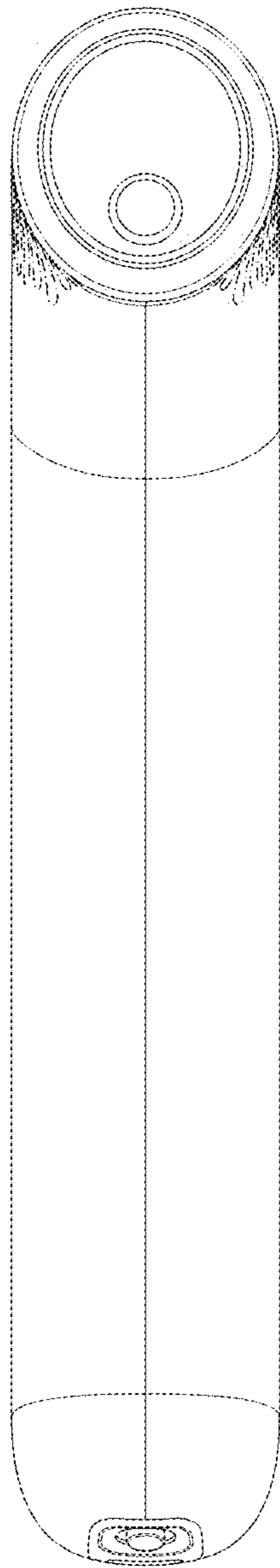


FIG. 4

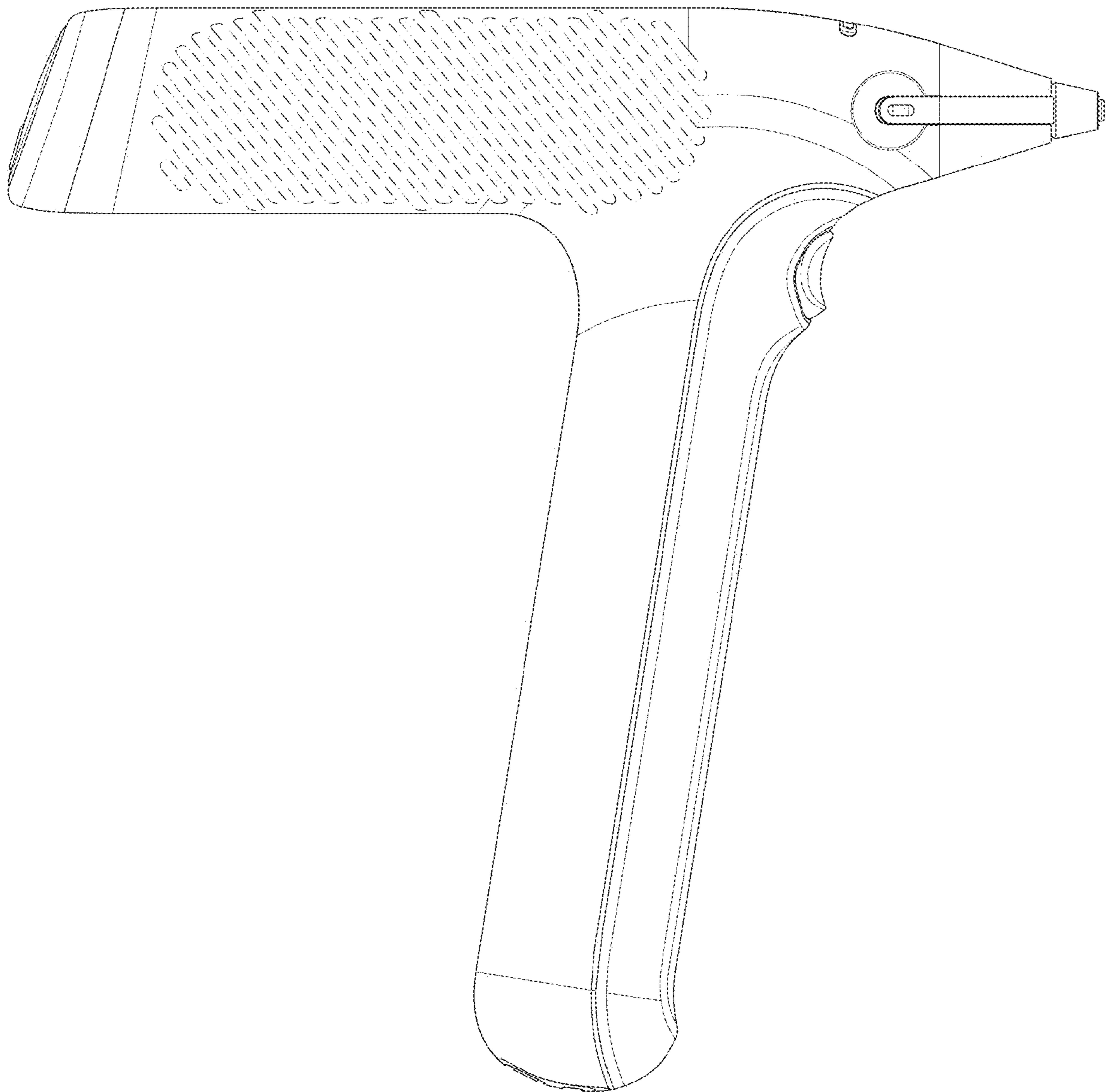


FIG. 5

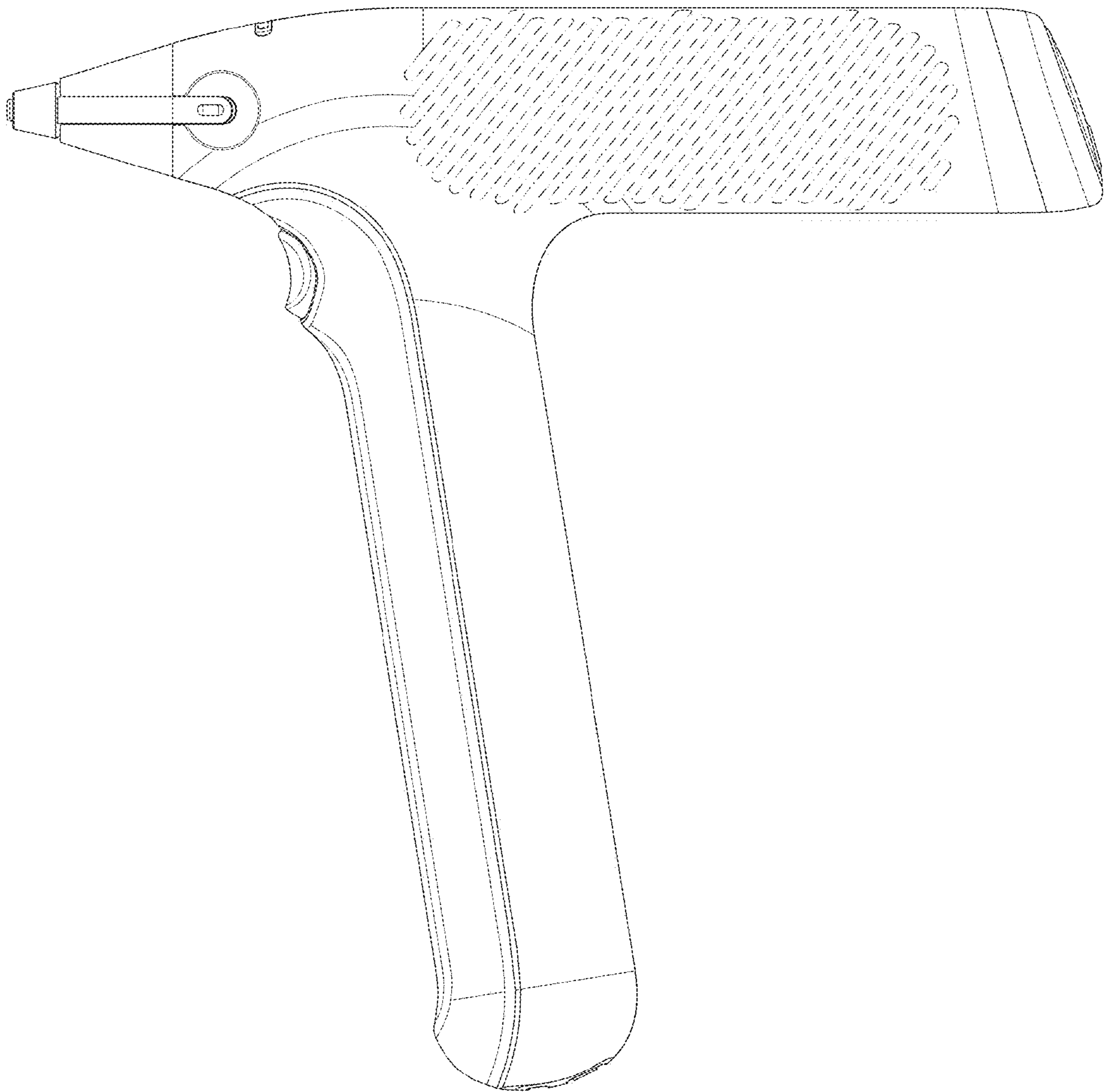


FIG. 6

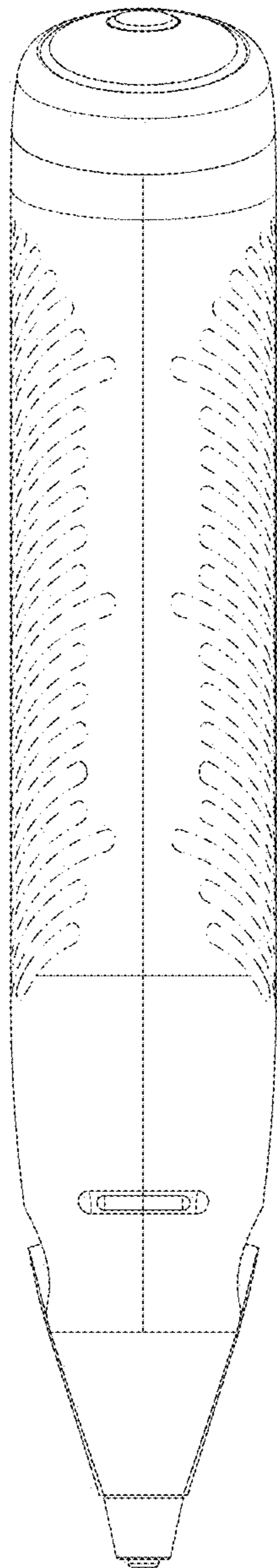


FIG. 7

