

US00D968624S

(12) **United States Design Patent** (10) **Patent No.:** **US D968,624 S**  
**Farzin** (45) **Date of Patent:** **\*\* Nov. 1, 2022**

(54) **TEETHER**  
(71) Applicant: **Nina D. Farzin**, Potomac, MD (US)  
(72) Inventor: **Nina D. Farzin**, Potomac, MD (US)  
(\*\*) Term: **15 Years**  
(21) Appl. No.: **29/756,344**

D739,033 S \* 9/2015 Lee ..... D24/195  
D745,283 S 12/2015 Phillips et al.  
D746,018 S \* 12/2015 Axelrod ..... D1/199  
D768,301 S \* 10/2016 Pauschitz ..... D24/195  
10,052,263 B2 8/2018 Bawa  
10,165,852 B1 1/2019 Christman  
10,306,975 B2 6/2019 Jimenez  
D871,772 S \* 1/2020 Jimenez ..... D4/107  
D933,433 S \* 10/2021 Fynbo ..... D7/657

(Continued)

(22) Filed: **Oct. 27, 2020**  
(51) **LOC (13) Cl.** ..... **24-04**  
(52) **U.S. Cl.**  
USPC ..... **D24/195; D4/107**  
(58) **Field of Classification Search**  
USPC ..... D24/193, 194, 195, 199, 214; D29/118,  
D29/122; D30/154, 160; D4/104, 107;  
D2/614; D21/576, 584, 596, 604, 611,  
D21/630, 643, 684, 725  
CPC ..... A61J 17/02; A61J 17/001; A61J 17/111;  
A61J 17/1115; A61J 17/1111; A61J  
9/005; A46B 15/0097; A63B 23/032;  
B60N 2/28; B60N 2/26  
See application file for complete search history.

OTHER PUBLICATIONS

“Haakaa: 360Degree Silicone Baby Toothbrush”. Found online Aug. 11, 2021 at amazon.co.uk. Reference dated Jul. 5, 2017. Retrieved from www.amazon.co.uk/Haakaa-360°-Silicone-Toothbrush-Phthalate/dp/B073QYBC3V/ref=sr\_1\_59?.\*

(Continued)

*Primary Examiner* — Kendra Leslie Hamilton  
(74) *Attorney, Agent, or Firm* — The Law Office of Patrick F. O’Reilly III, LLC

(57) **CLAIM**

The ornamental design for a teether, as shown and described.

(56) **References Cited**

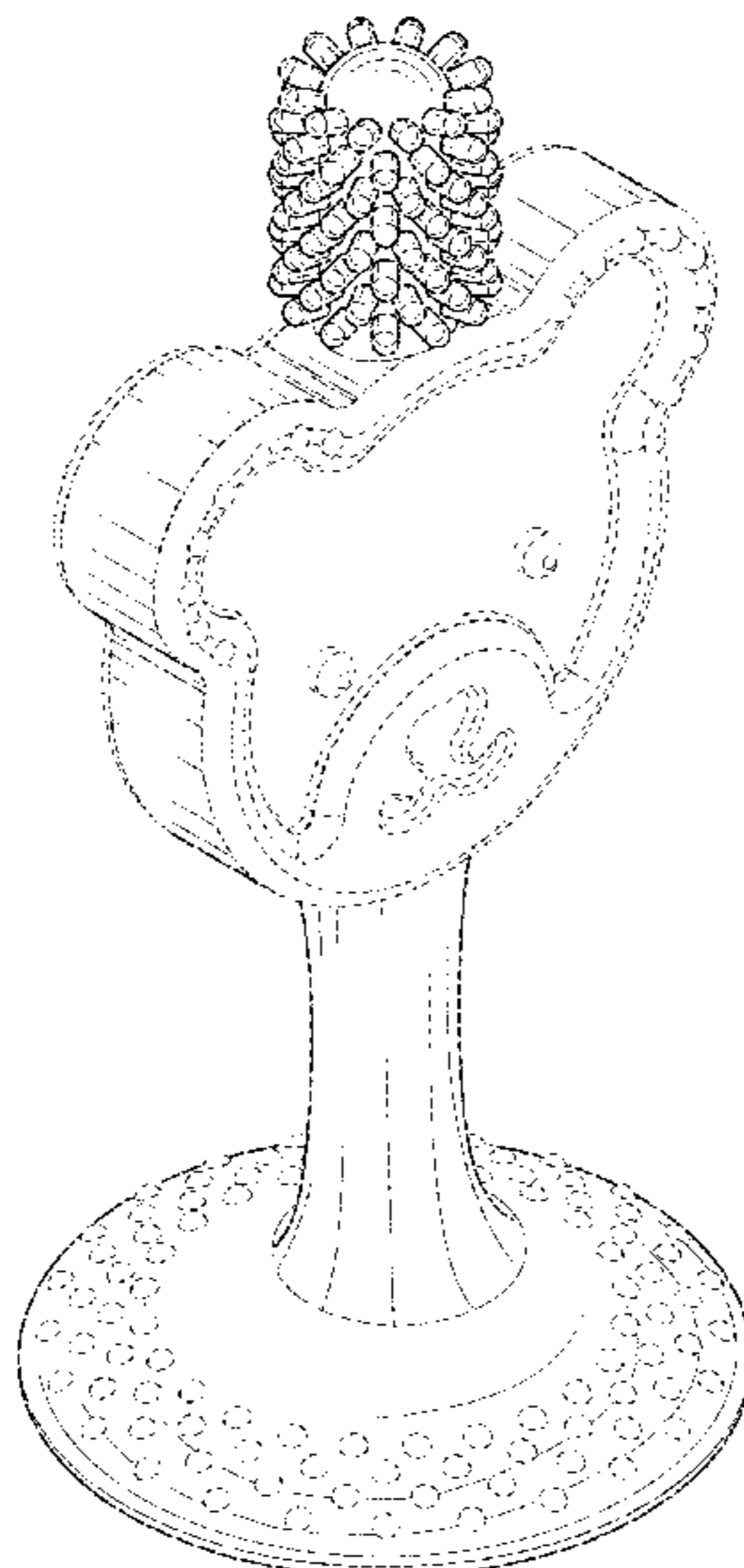
U.S. PATENT DOCUMENTS

3,753,266 A \* 8/1973 Cenicerros ..... A46B 9/04  
15/110  
4,115,893 A 9/1978 Nakata et al.  
D277,880 S \* 3/1985 Paczko ..... D21/408  
5,291,878 A 3/1994 Lombardo et al.  
5,571,140 A 11/1996 Gura-Emerling  
D376,853 S \* 12/1996 Hsia ..... D24/214  
5,628,082 A 5/1997 Moskovich  
D383,307 S \* 9/1997 Klein ..... D24/194  
5,729,859 A 3/1998 Guffin, III  
6,134,737 A 10/2000 Remme  
6,311,358 B1 11/2001 Soetewey et al.  
D619,370 S \* 7/2010 Tegeder ..... D4/107  
D679,755 S \* 4/2013 Roth ..... D19/7  
D721,439 S \* 1/2015 Swartz ..... D24/194

**DESCRIPTION**

FIG. 1 is a top, front perspective view of a teether, showing my new design;  
FIG. 2 is a front elevation view thereof;  
FIG. 3 is a rear elevation view thereof;  
FIG. 4 is a left side elevation view thereof;  
FIG. 5 is a right side elevation view thereof;  
FIG. 6 is a top plan view thereof; and,  
FIG. 7 is a bottom plan view thereof.  
The dashed broken lines in the figures show portions of the teether that form no part of the claimed design.  
The dot-dash broken lines in the figures show boundaries that form no part of the claimed design.

**1 Claim, 6 Drawing Sheets**



(56)

**References Cited**

U.S. PATENT DOCUMENTS

2005/0004603 A1\* 1/2005 Desousa ..... A63H 33/006  
606/235  
2006/0253154 A1 11/2006 Equils  
2007/0266511 A1 11/2007 Spagnolo  
2012/0318288 A1 12/2012 Massimi

OTHER PUBLICATIONS

“Vicloon: Baby and Toddler Koala Toothbrush”. Found online Jan. 11, 2022 at [amazon.co.uk](http://amazon.co.uk). Reference dated Jul. 23, 2019. Retrieved from [www.amazon.co.uk/dp/B07VKL8BLQ/ref=emc\\_b\\_5\\_t?th=1](http://www.amazon.co.uk/dp/B07VKL8BLQ/ref=emc_b_5_t?th=1).\*

“Innobaby: Teethin’ Smart & Ez Grip Teether”. Found online Mar. 31, 2020 at [amazon.co.uk](http://amazon.co.uk). Reference dated Jul. 10, 2014. Retrieved from [www.amazon.co.uk/innobaby-Teethin-Smart-Teether-Grape/dp/B00LOCF8AA/ref=sr\\_1\\_2?](http://www.amazon.co.uk/innobaby-Teethin-Smart-Teether-Grape/dp/B00LOCF8AA/ref=sr_1_2?).\*

“Oogiebear: Nose and Ear Gadget”. Found online Jan. 11, 2022 at [amazon.com](http://amazon.com). Reference dated Jan. 5, 2015. Retrieved from [www.amazon.com/Oogiebear-BLU1-oogiebear-Nose-Cleaner/dp/B00GXTTPKI/](http://www.amazon.com/Oogiebear-BLU1-oogiebear-Nose-Cleaner/dp/B00GXTTPKI/).\*

\* cited by examiner

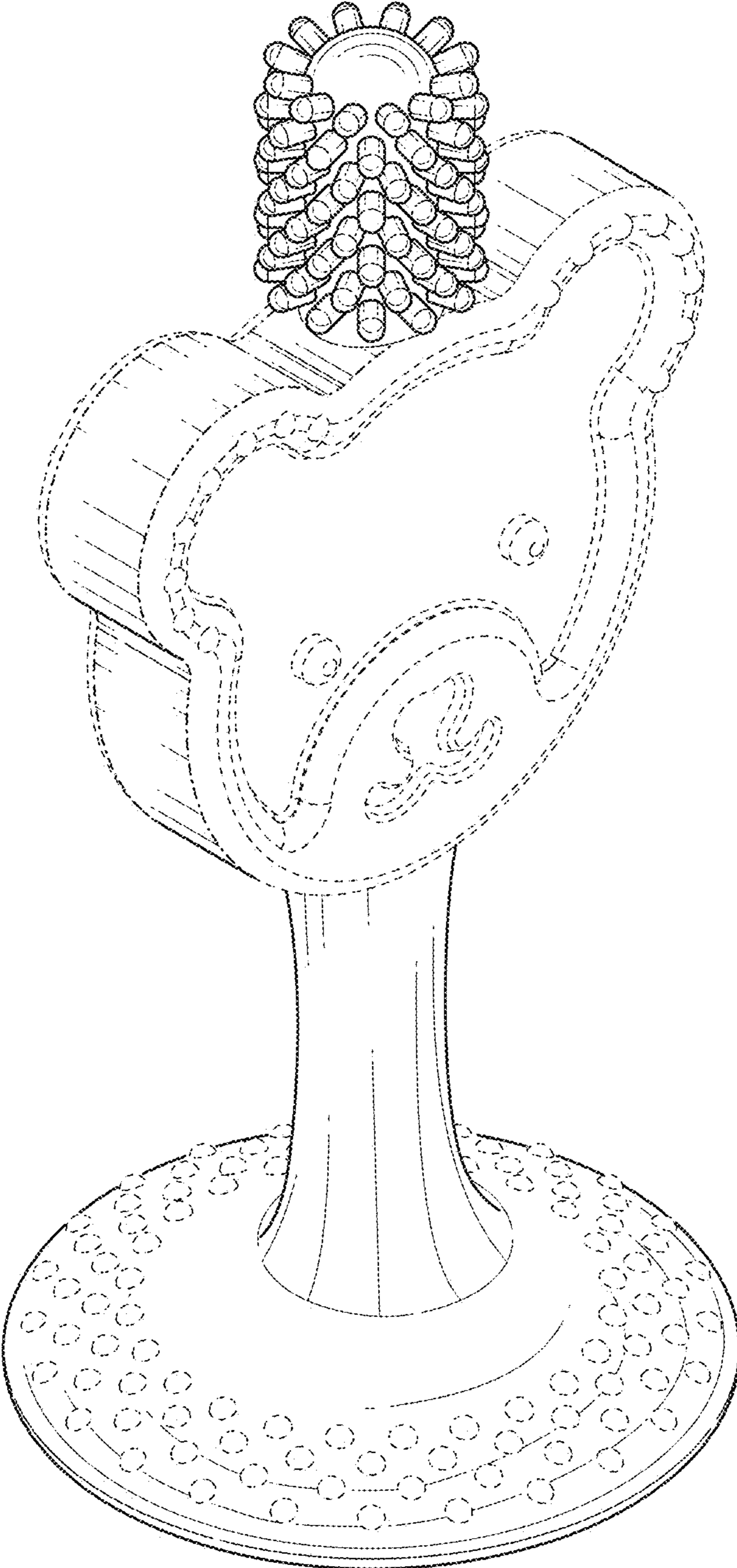


FIG. 1

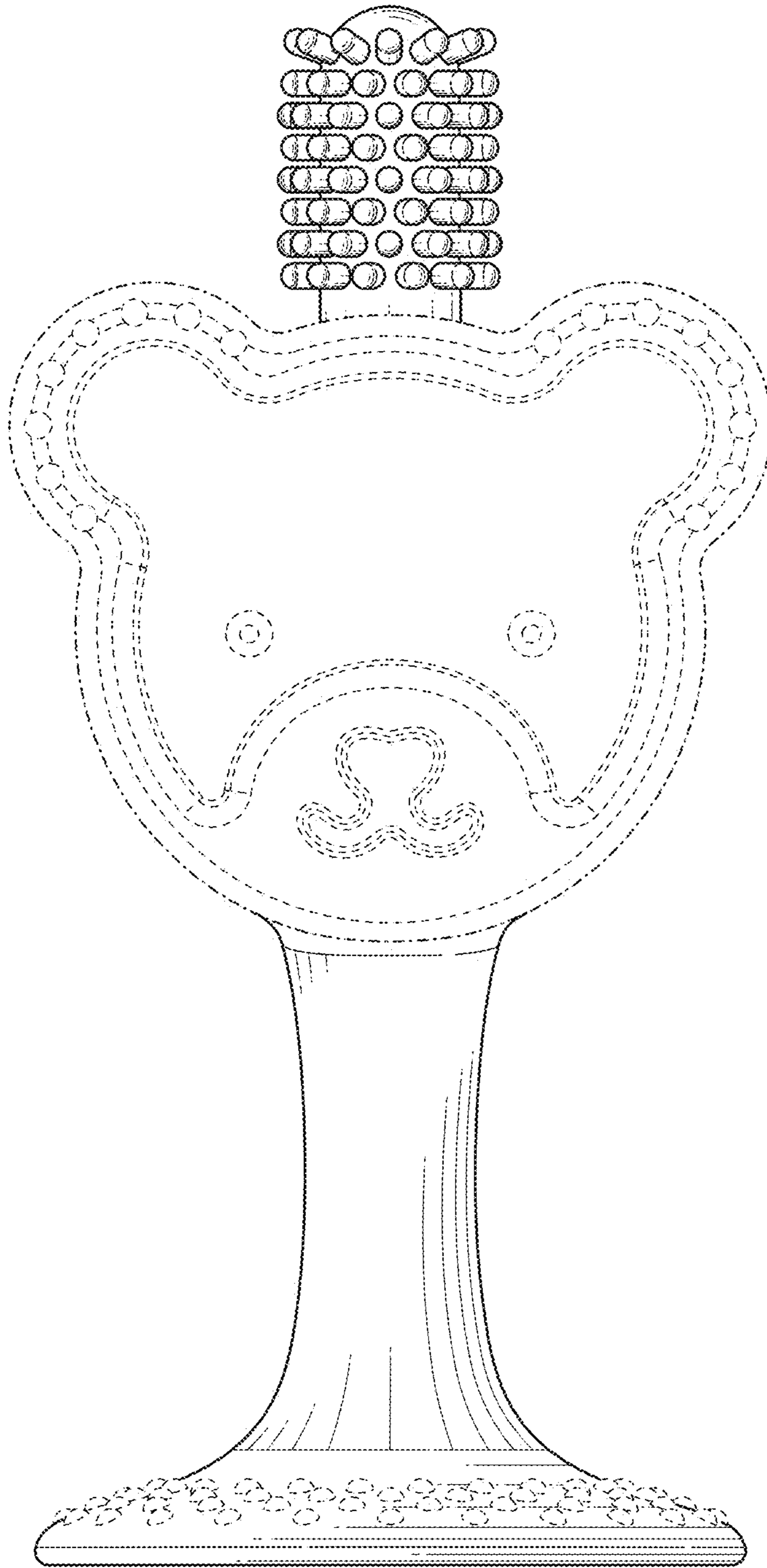


FIG. 2

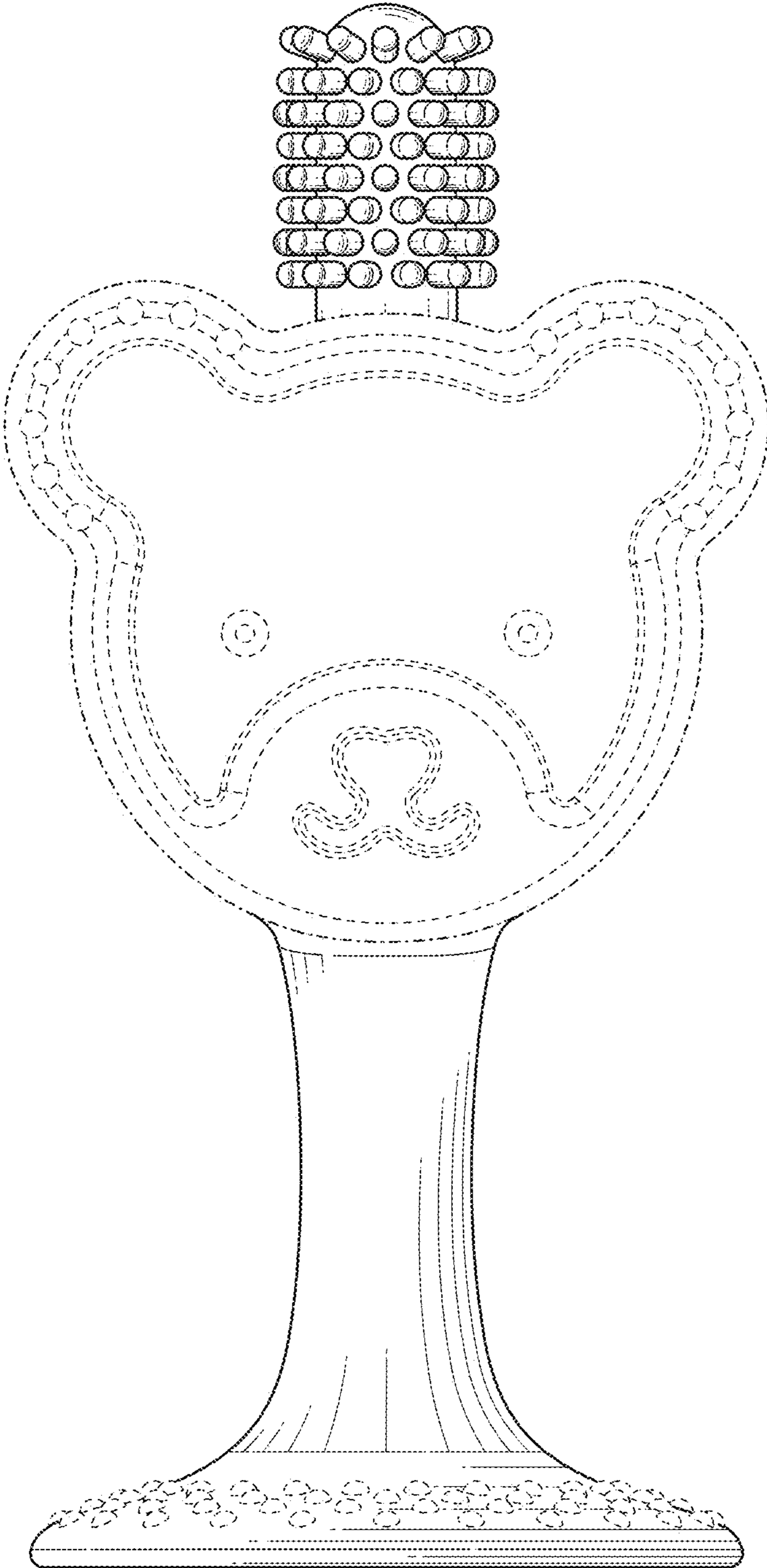


FIG. 3

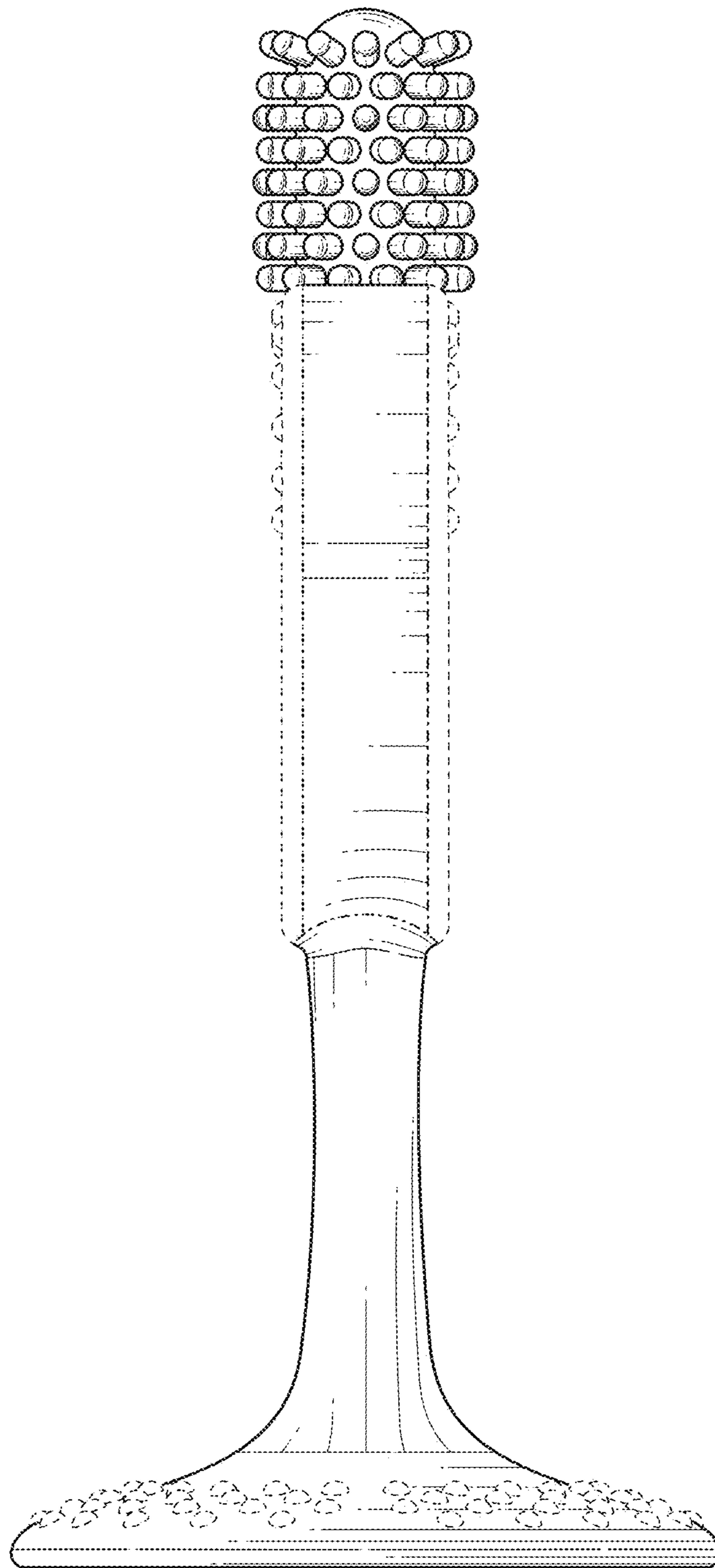


FIG. 4

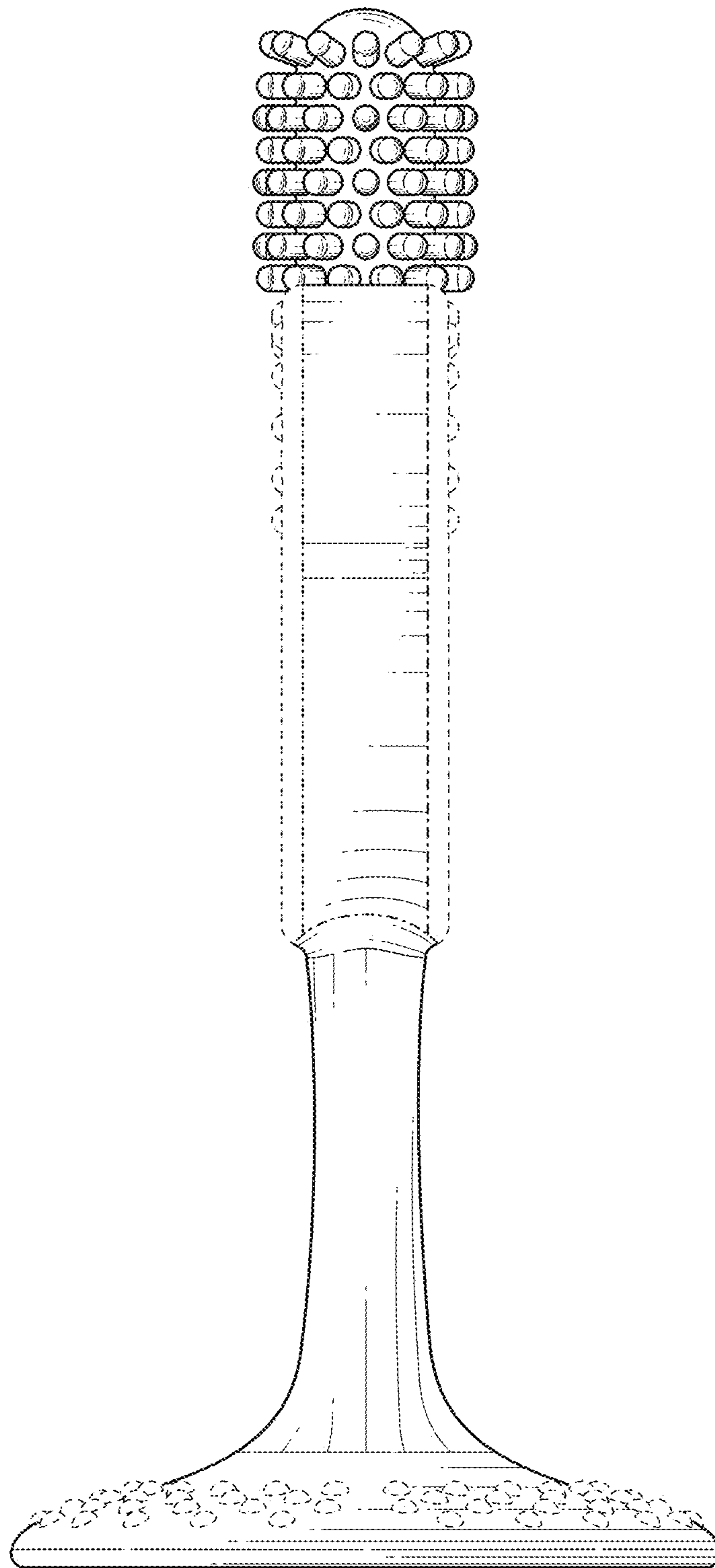


FIG. 5

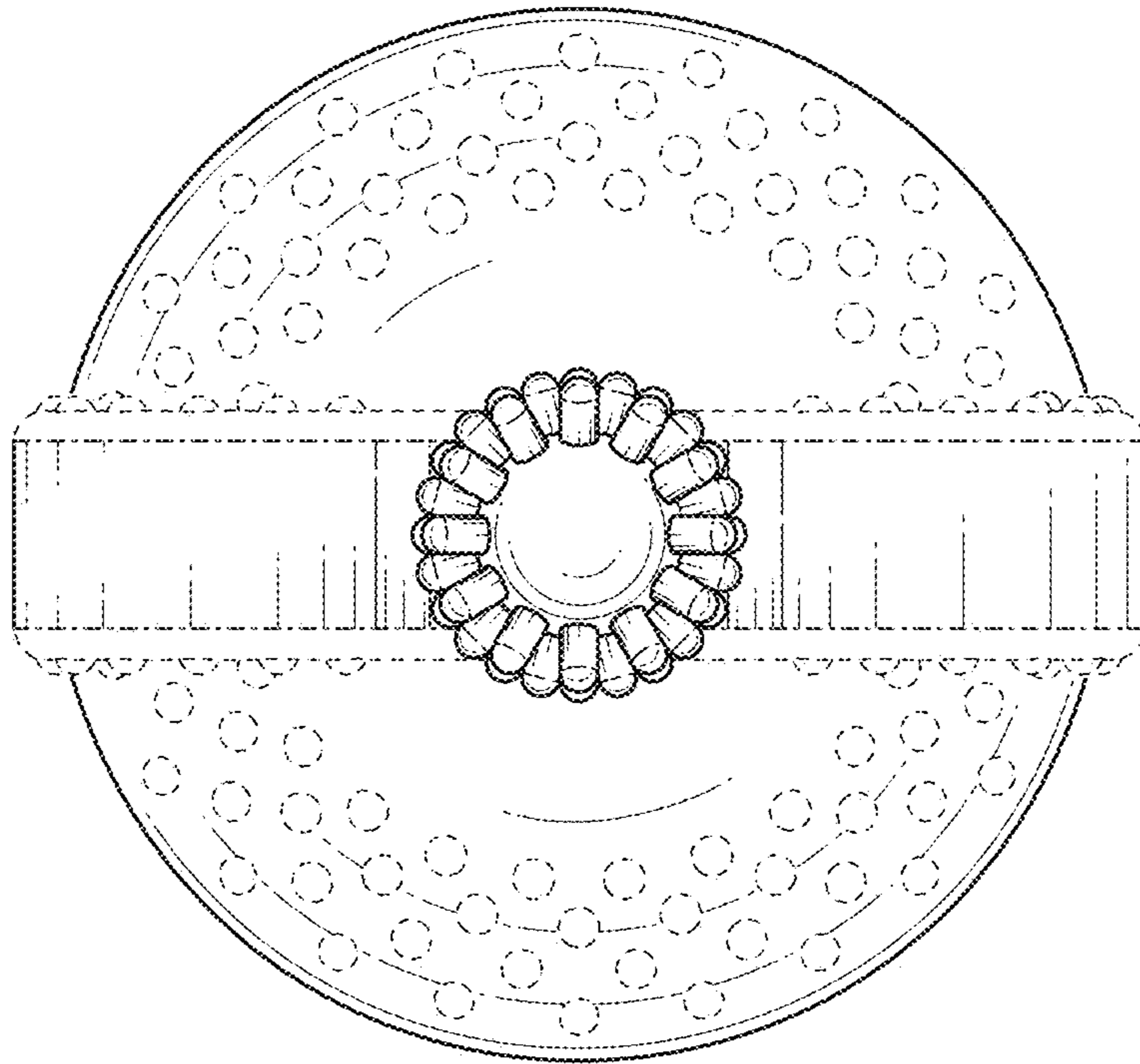


FIG. 6

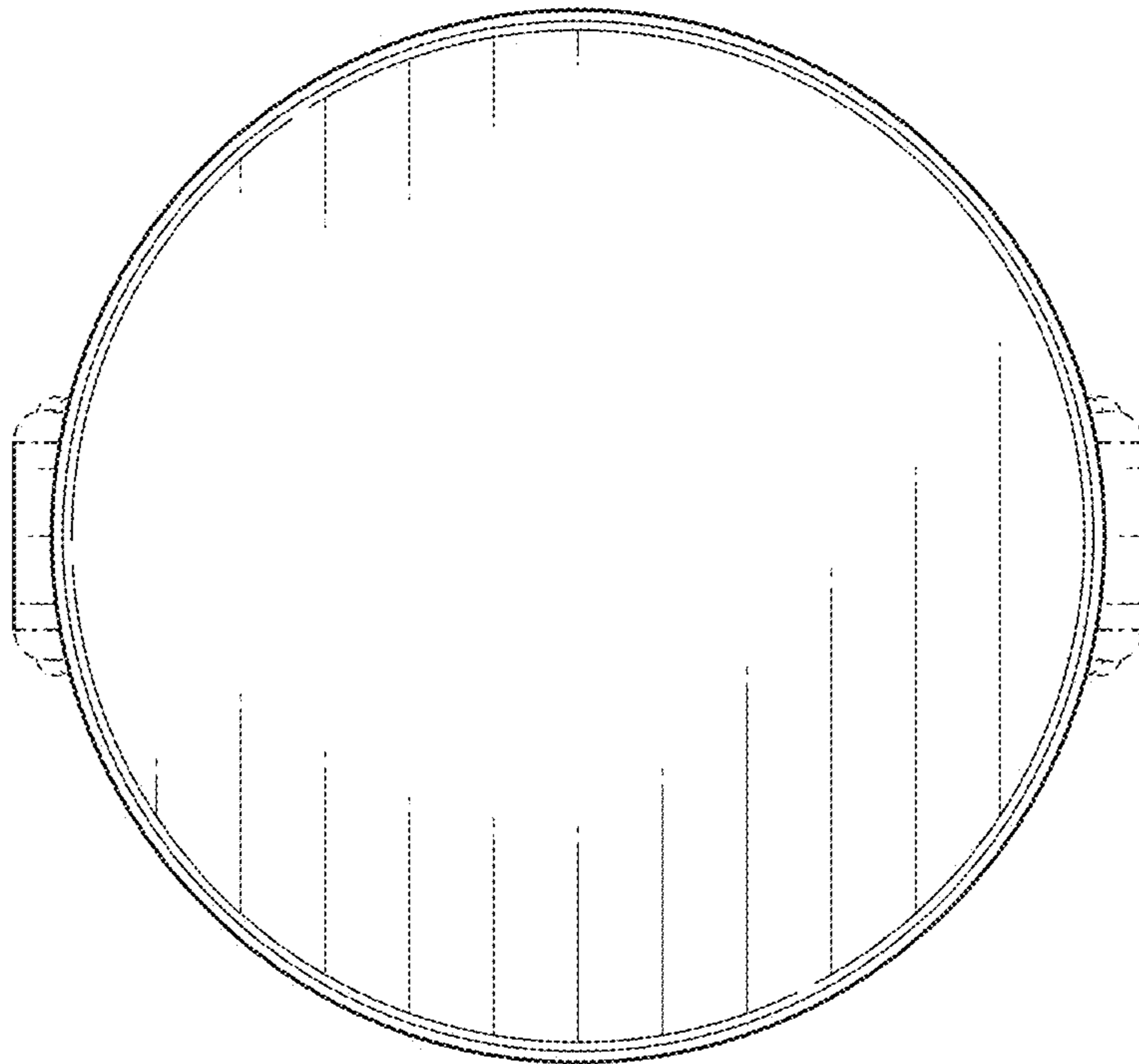


FIG. 7