



US00D968620S

(12) **United States Design Patent** (10) **Patent No.:** **US D968,620 S**
Madar et al. (45) **Date of Patent:** **** Nov. 1, 2022**

(54) **ULTRASONIC IMAGING DIAGNOSTIC DEVICE**

(71) Applicant: **PULSENMORE LTD.**, Omer (IL)

(72) Inventors: **Dotan Madar**, Beer Sheva (IL); **Amir Govrin**, Ramat Gan (IL); **Meni Becher**, Meitar (IL)

(73) Assignee: **PULSENMORE LTD.**, Omer (IL)

(**) Term: **15 Years**

(21) Appl. No.: **35/511,553**

(22) Filed: **Nov. 30, 2020**

(80) **Hague Agreement Data**

Int. Filing Date: **Nov. 30, 2020**

Int. Reg. No.: **DM/213094**

Int. Reg. Date: **Nov. 30, 2020**

Int. Reg. Pub. Date: **Mar. 19, 2021**

(30) **Foreign Application Priority Data**

Jun. 3, 2020 (IL) 65097

Nov. 26, 2020 (IL) 66007

(51) **LOC (13) Cl.** **24-01**

(52) **U.S. Cl.**
USPC **D24/158**

(58) **Field of Classification Search**
USPC D13/162, 184; D14/203.8, 341, 346,
D14/447, 451; D24/158, 160

(Continued)

(56) **References Cited**

U.S. PATENT DOCUMENTS

D366,659 S * 1/1996 Ross D14/447

D411,824 S * 7/1999 Wilson, Sr. D14/447

(Continued)

OTHER PUBLICATIONS

Med Gadget. PulseNmore At-Home Tele-Ultrasound for Pregnant Women. Aug. 10, 2020. <https://www.medgadget.com/2020/08/pulsenmore-at-home-tele-ultrasound-for-pregnant-women.html> (Year: 2020).*

(Continued)

Primary Examiner — Darcey E Gottschalk

(74) *Attorney, Agent, or Firm* — Roach Brown McCarthy & Gruber, P.C.; Kevin D. McCarthy

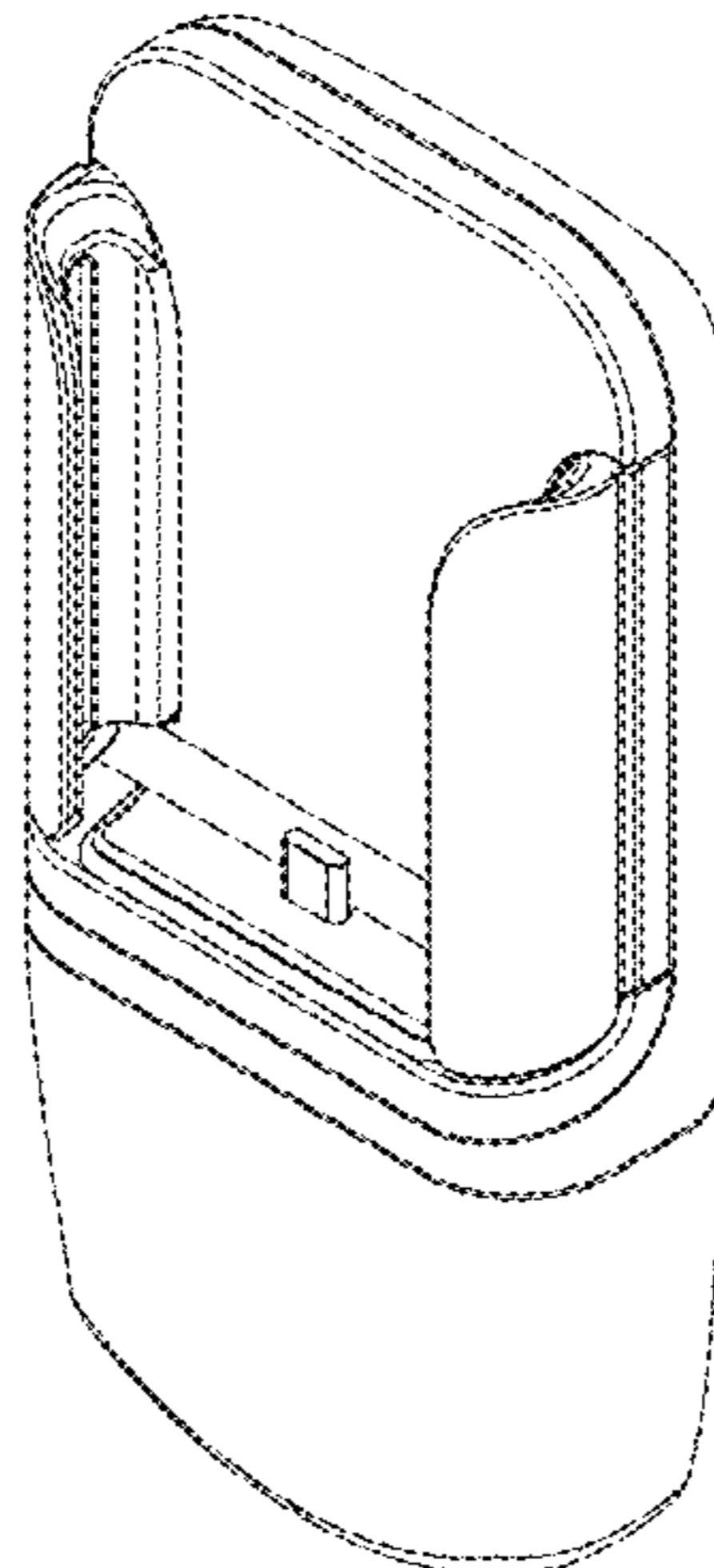
(57) **CLAIM**

The ornamental design for an ultrasonic imaging diagnostic device, as shown and described.

DESCRIPTION

- 1.1 : Top perspective view in a closed state;
- 1.2 : Bottom perspective view thereof;
- 1.3 : Front view thereof;
- 1.4 : Back view thereof;
- 1.5 : Right view thereof;
- 1.6 : Left view thereof;
- 1.7 : Top view thereof;
- 1.8 : Bottom view thereof;
- 1.9 : Top perspective view in an open state;
- 1.10 : Bottom perspective view thereof;
- 1.11 : Front view thereof;
- 1.12 : Back view thereof;
- 1.13 : Right view thereof;
- 1.14 : Left view thereof;
- 1.15 : Top view thereof;
- 1.16 : Bottom view thereof;
- 1.17 : Top perspective view in a closed state on which a mobile phone is mounted;
- 1.18 : Bottom perspective view thereof;
- 1.19 : Front view thereof;
- 1.20 : Back view thereof;
- 1.21 : Right view thereof;
- 1.22 : Left view thereof;
- 1.23 : Top view thereof;
- 1.24 : Bottom view thereof;

(Continued)



- 1.25 : Top perspective view in an open state on which a mobile phone is mounted;
- 1.26 : Bottom perspective view thereof;
- 1.27 : Front view thereof;
- 1.28 : Back view thereof;
- 1.29 : Right view thereof;
- 1.30 : Left view thereof;
- 1.31 : Top view thereof;
- 1.32 : Bottom view thereof.

In the reproductions, the broken lines showing portions of a mobile phone depict environment that forms no part of the claim.

1 Claim, 32 Drawing Sheets

(58) **Field of Classification Search**

CPC G06F 1/1632
See application file for complete search history.

(56) **References Cited**

U.S. PATENT DOCUMENTS

| | | | | |
|------------|---|---------|-------------------|---------|
| D520,013 S | * | 5/2006 | Yang | D14/434 |
| D544,899 S | * | 6/2007 | Li | D16/242 |
| D553,106 S | * | 10/2007 | Griffin | D14/434 |
| D610,985 S | * | 3/2010 | Fahrendorff | D13/108 |
| D654,078 S | * | 2/2012 | Zhou | D14/434 |

| | | | | |
|--------------|-----|---------|---------------|---------------------------|
| 2006/0250764 | A1* | 11/2006 | Howarth | G06F 1/1632 361/679.56 |
| 2006/0258409 | A1* | 11/2006 | Kogan | H02J 7/0044 455/573 |
| 2008/0019082 | A1* | 1/2008 | Krieger | H01Q 1/081 343/702 |
| 2008/0157716 | A1* | 7/2008 | Jo | H02J 7/0044 710/303 |
| 2008/0307144 | A1* | 12/2008 | Minoo | G06F 1/1632 361/679.41 |
| 2012/0182675 | A1* | 7/2012 | Zhou | H04M 1/04 361/679.01 |
| 2014/0097793 | A1* | 4/2014 | Wurtz | H02J 7/0042 320/108 |
| 2015/0185773 | A1* | 7/2015 | Vroom | G06F 1/1632 361/679.41 |

OTHER PUBLICATIONS

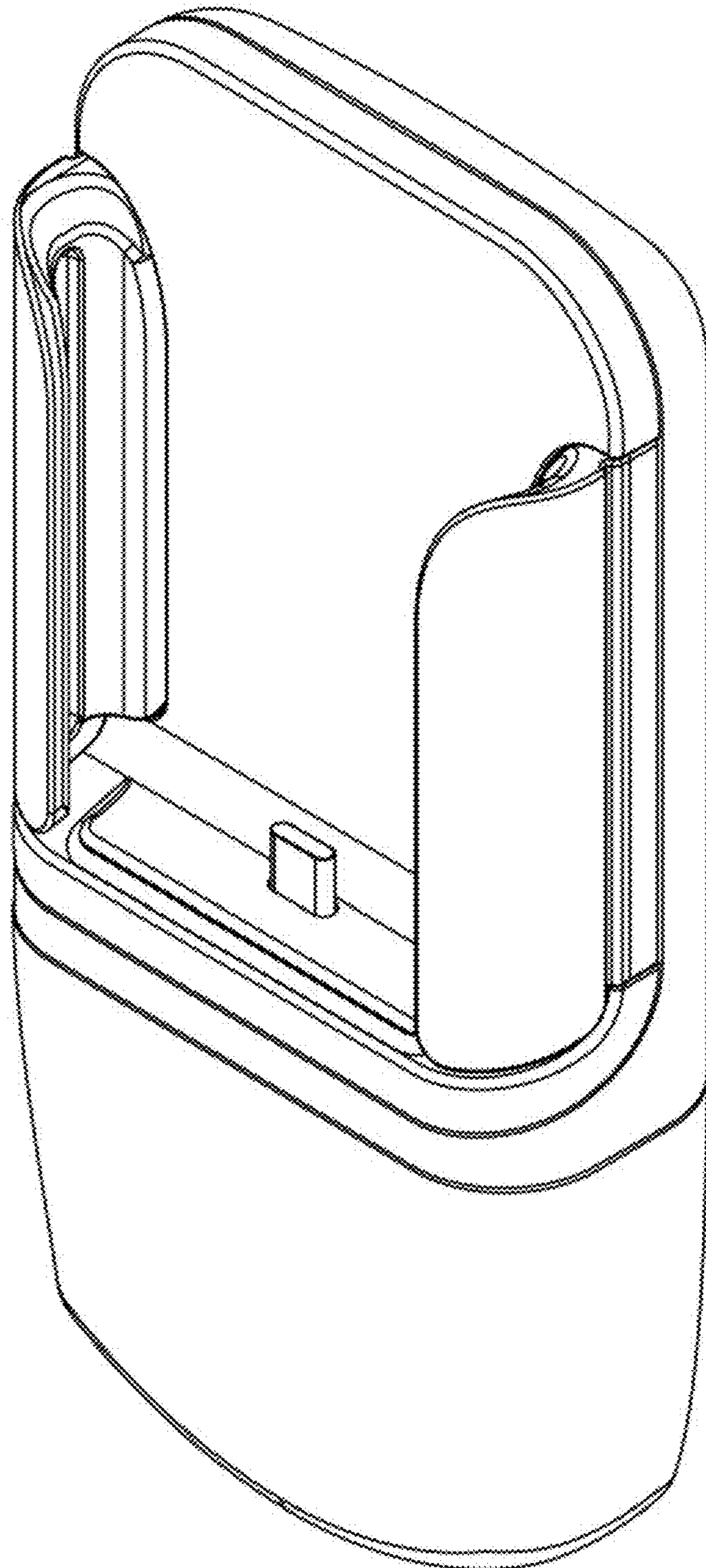
NS Medical Devices. PulseNmore launches self-administered hand-held Tele-Ultrasound Device. Aug. 11, 2020. <https://www.nsmedicaldevices.com/news/pulsenmore-launches-self-administered-handheld-tele-ultrasound-device/> (Year: 2020).*

Youtube. Home Ultrasound—Intro by PulseNmore. Aug. 10, 2020. <https://www.youtube.com/watch?v=YLskCQS79P4> (Year: 2020).*

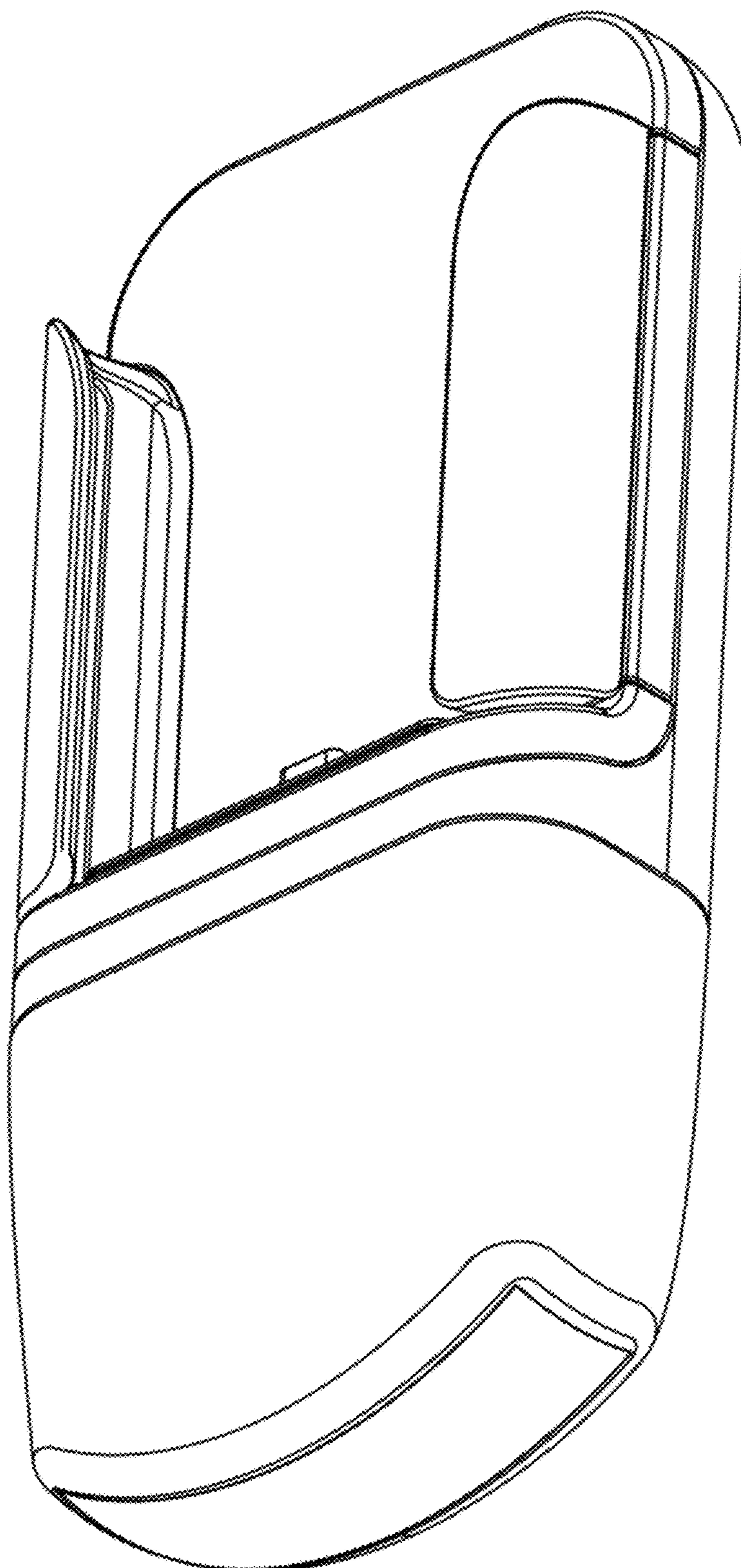
Lifewire. The 3 Best Wireless Phone Charging Car Mounts of 2022. Apr. 26, 2021. <https://www.lifewire.com/best-wireless-phone-charging-car-mounts-4686606> (Year: 2021).*

* cited by examiner

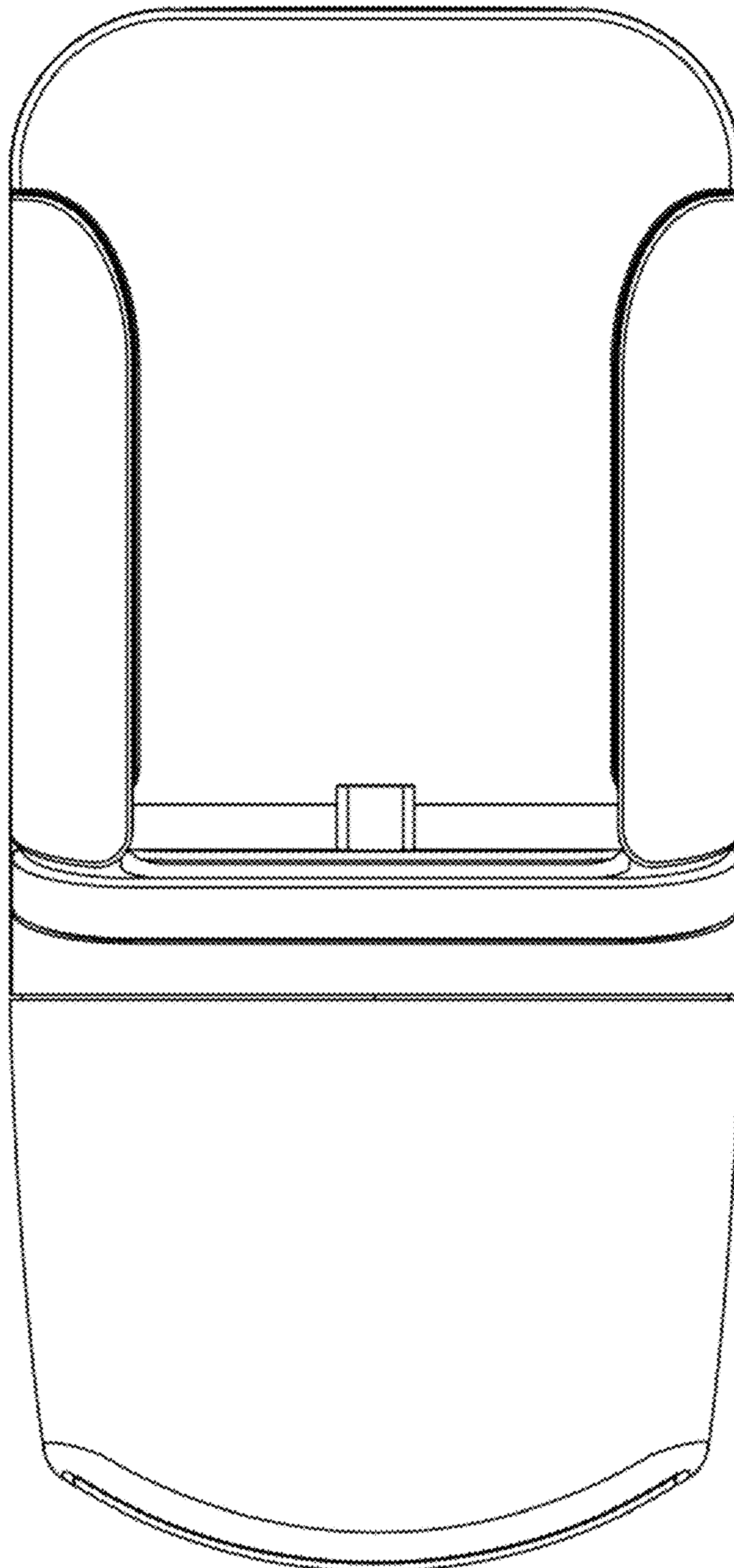
1.1



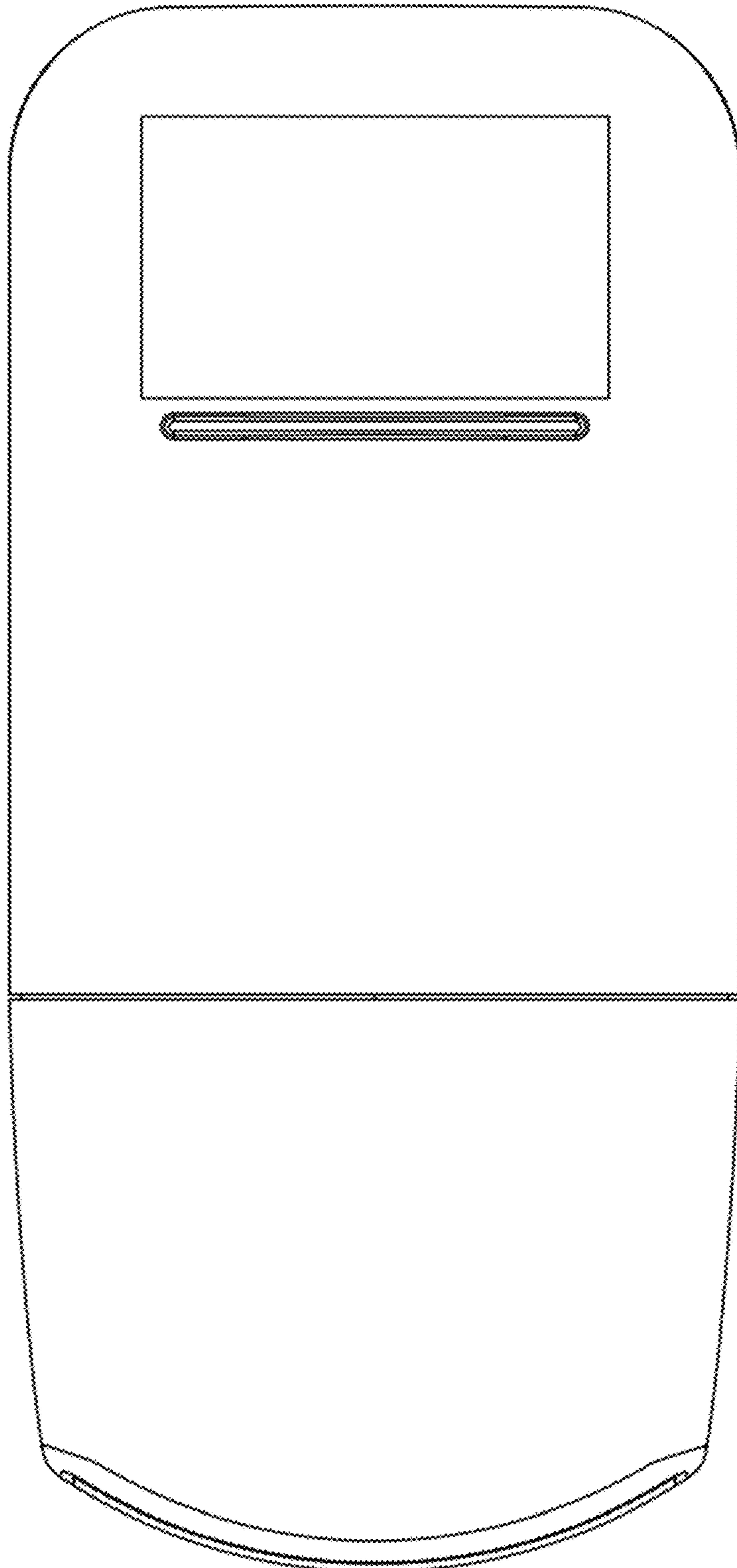
1.2



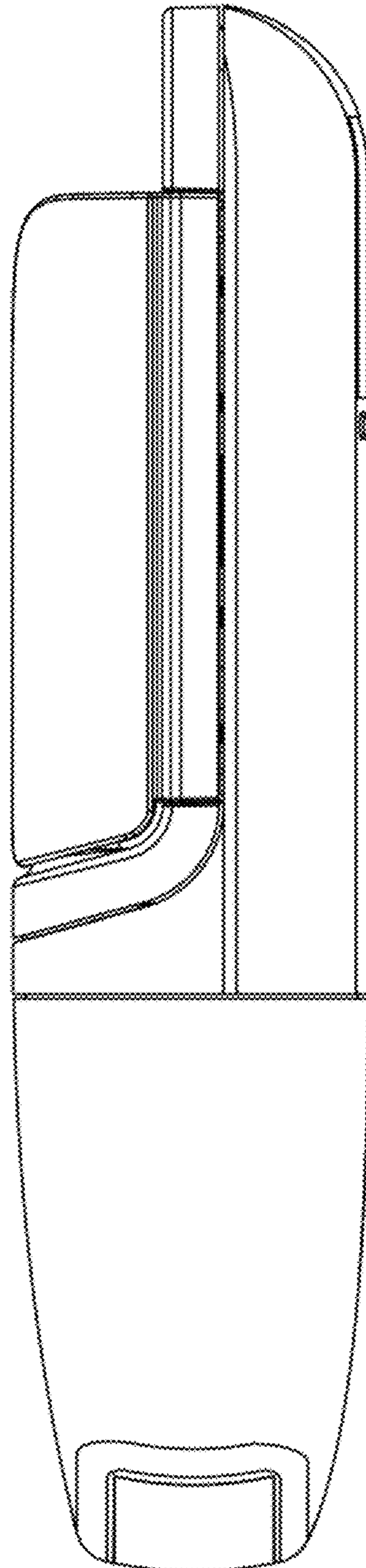
1.3



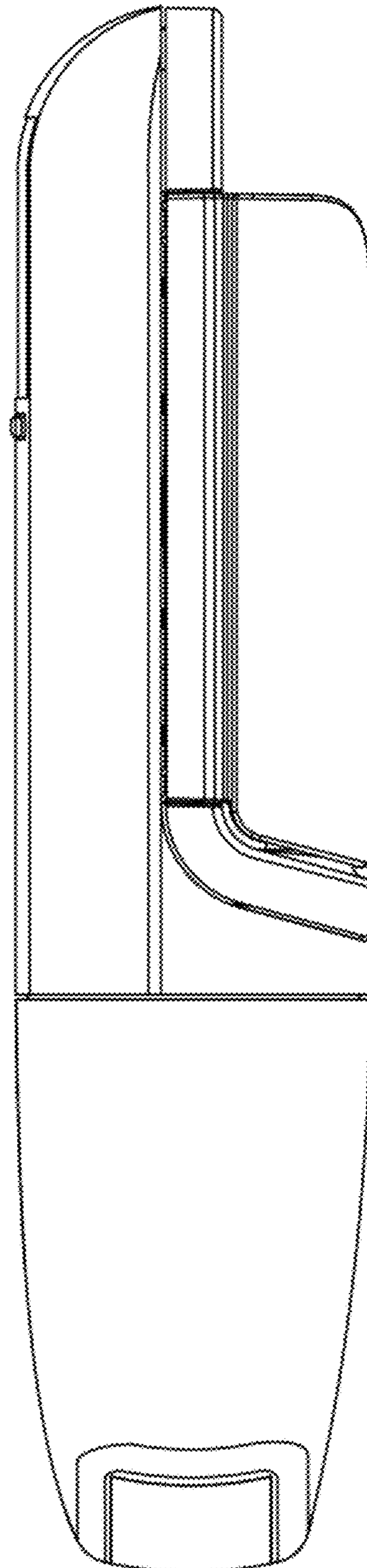
1.4



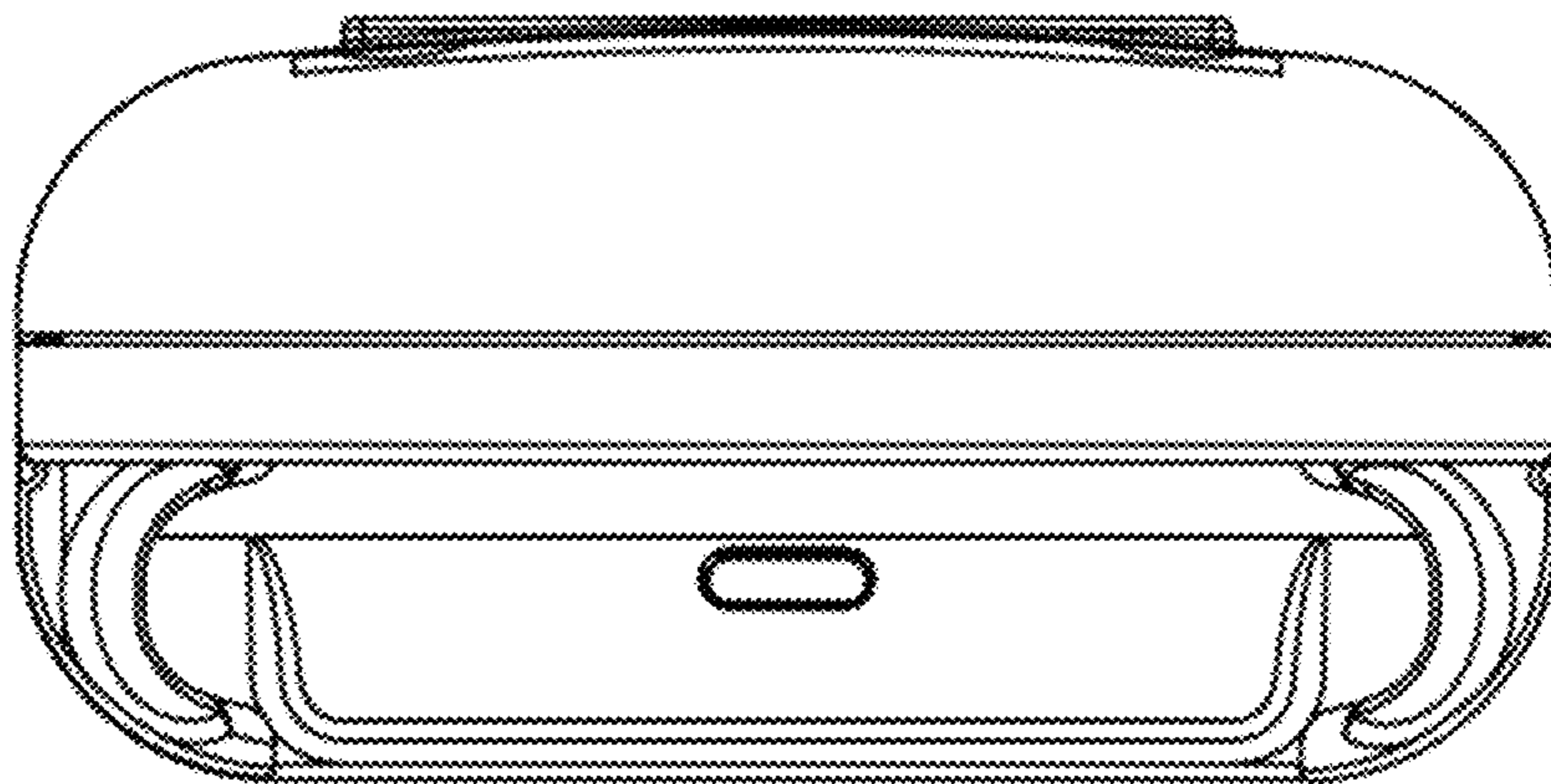
1.5



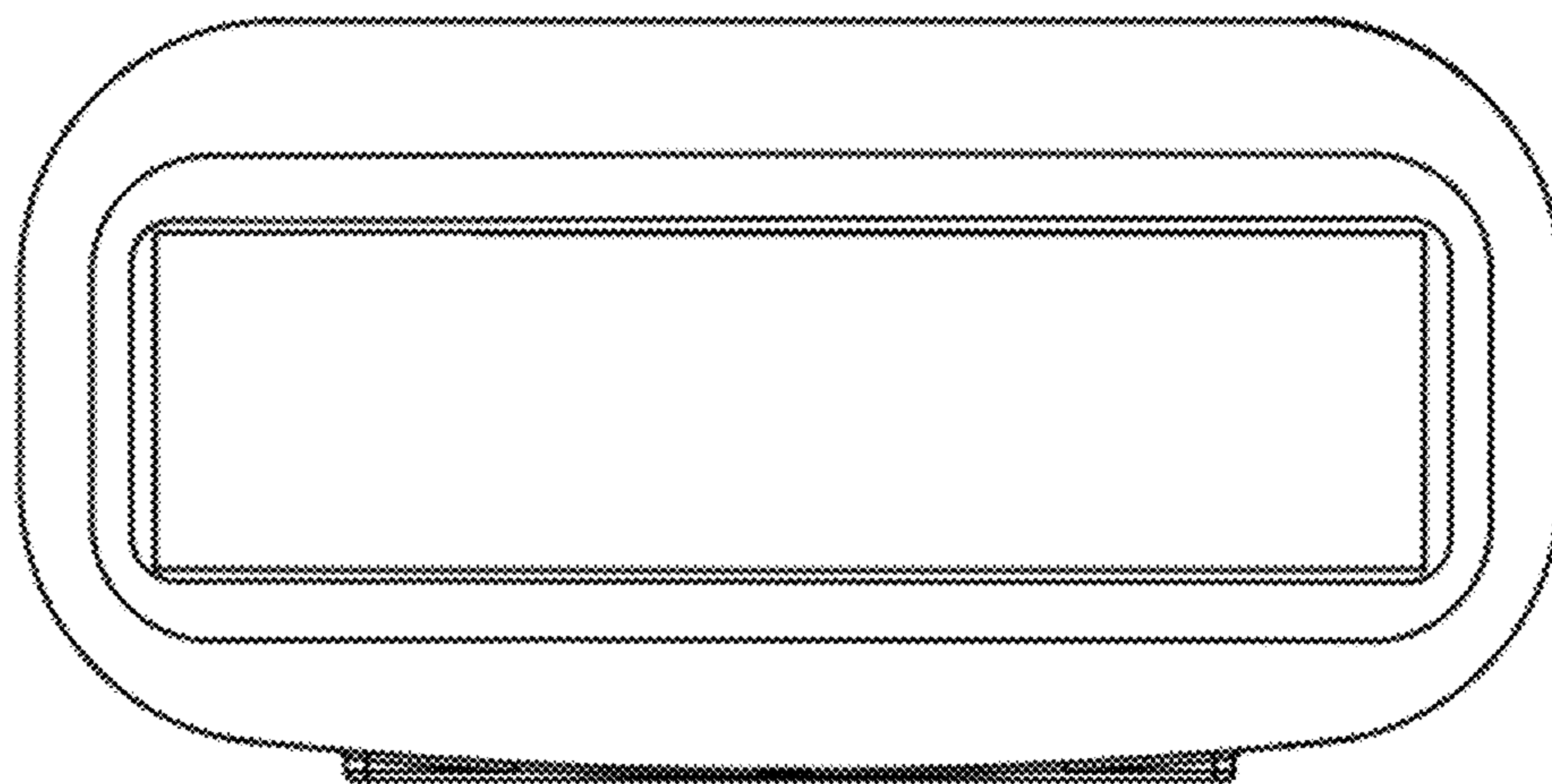
1.6



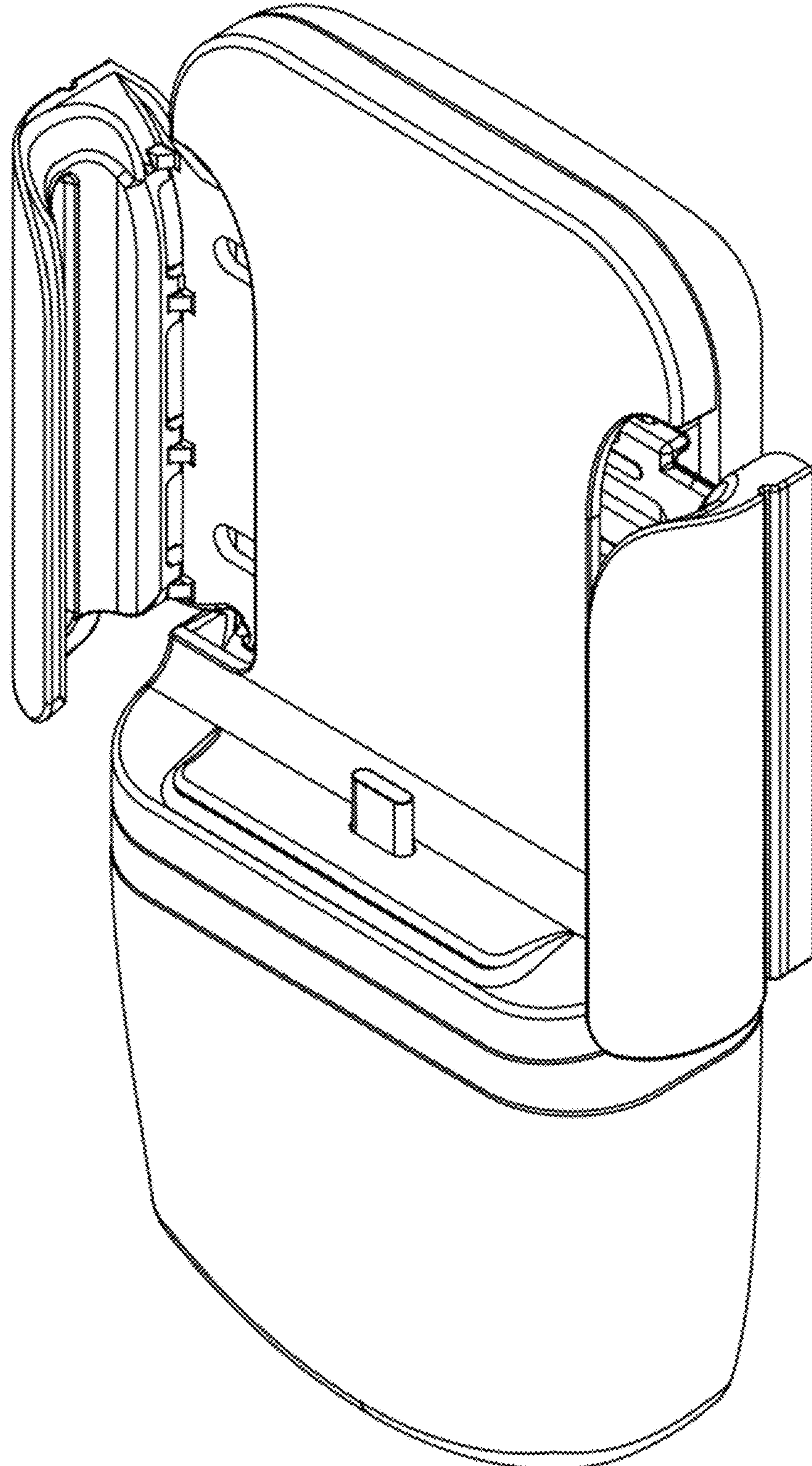
1.7



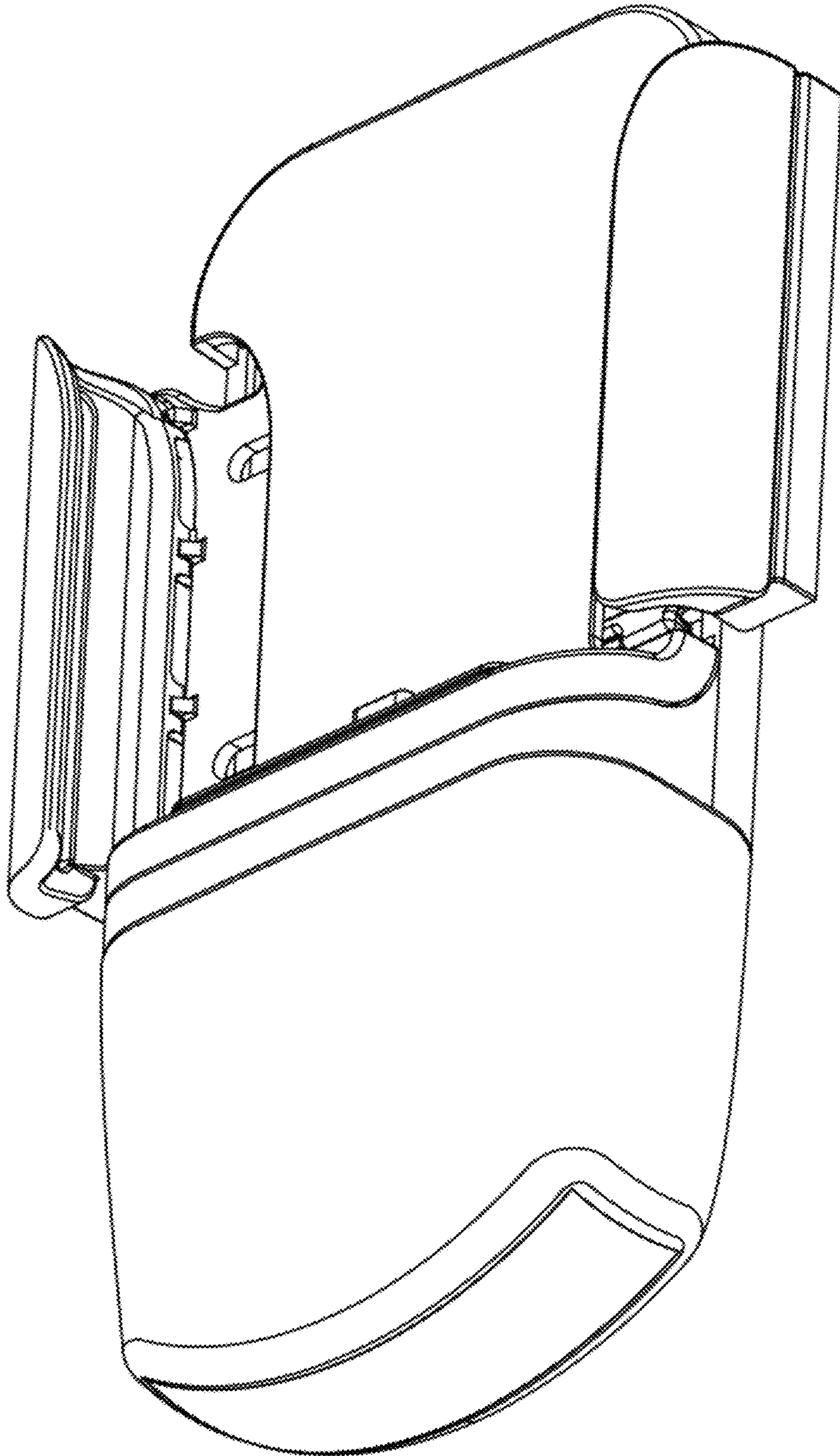
1.8



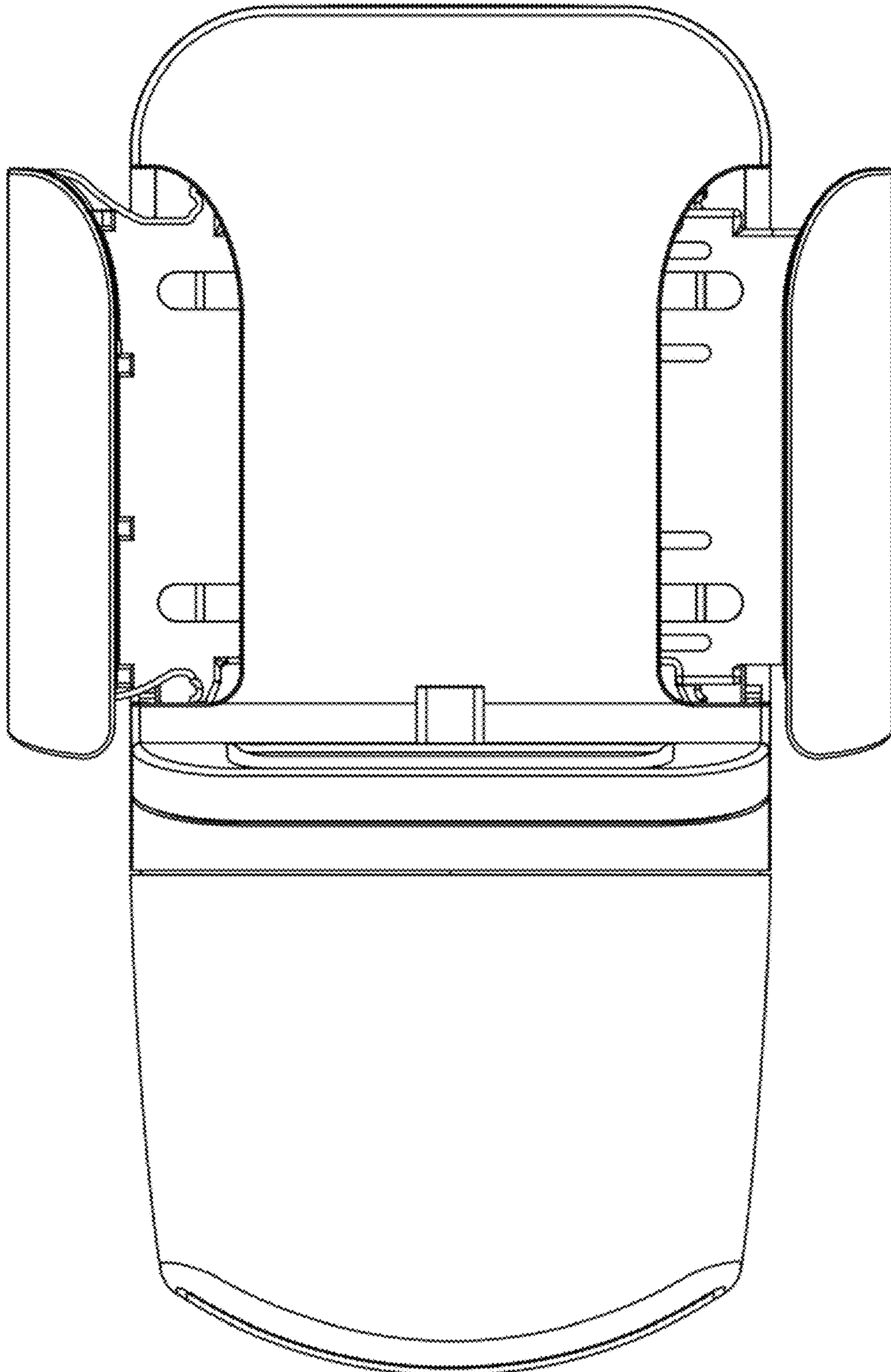
1.9



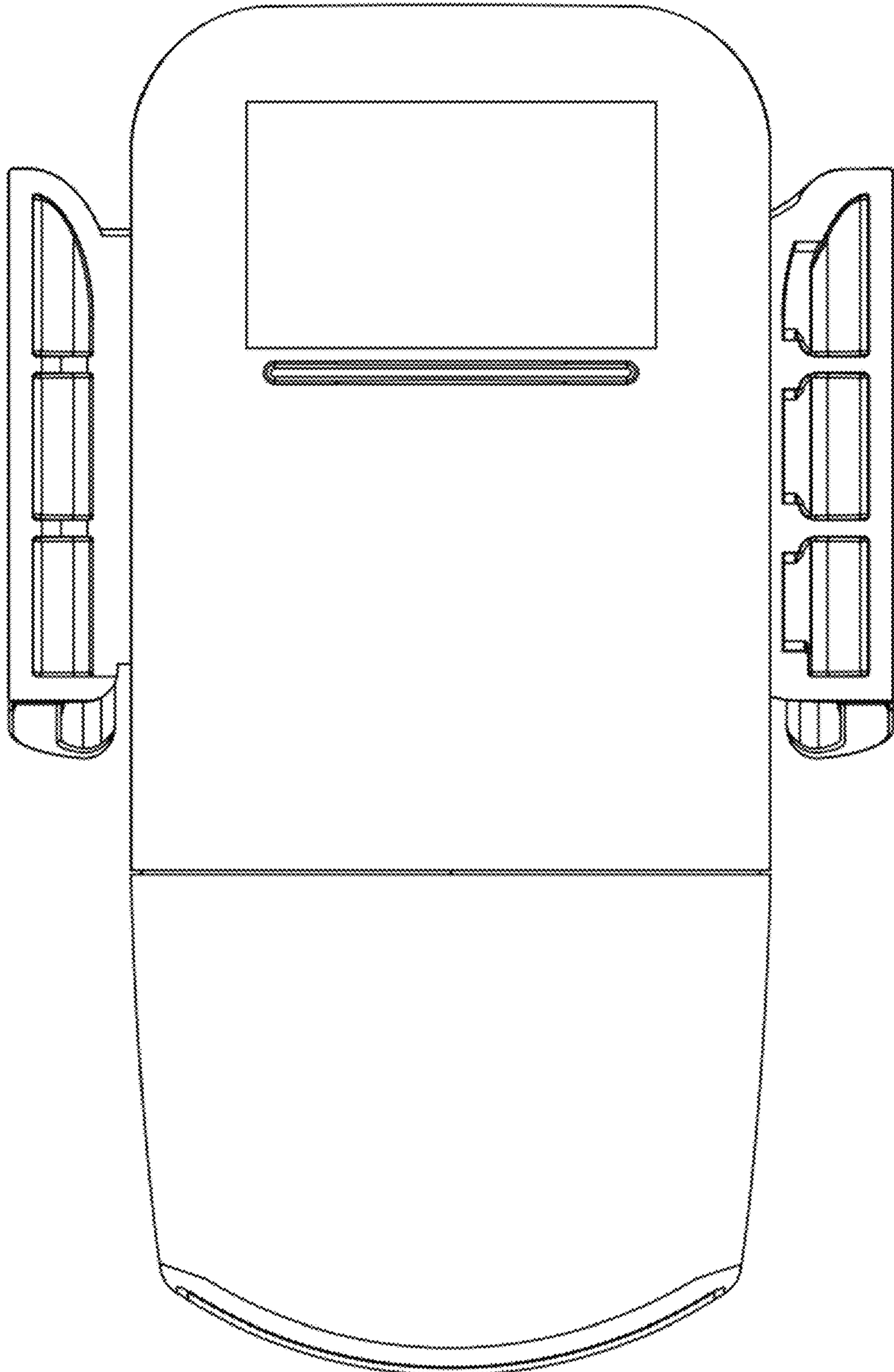
1.10



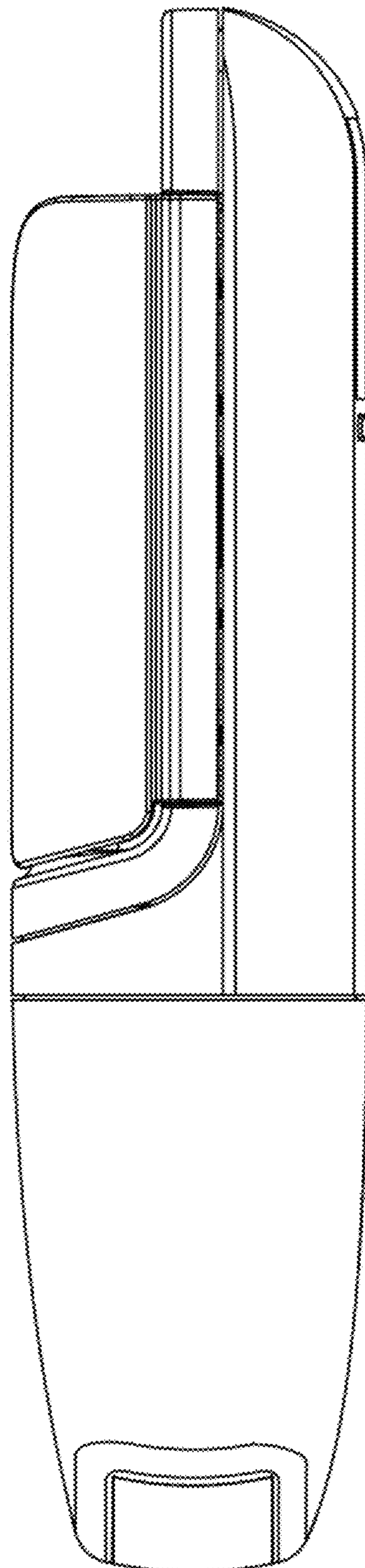
1.11



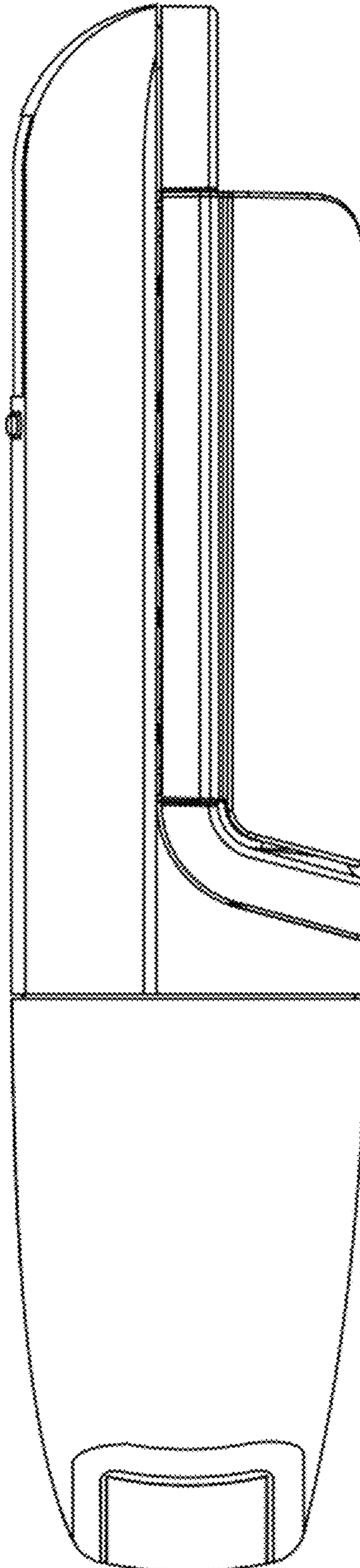
1.12



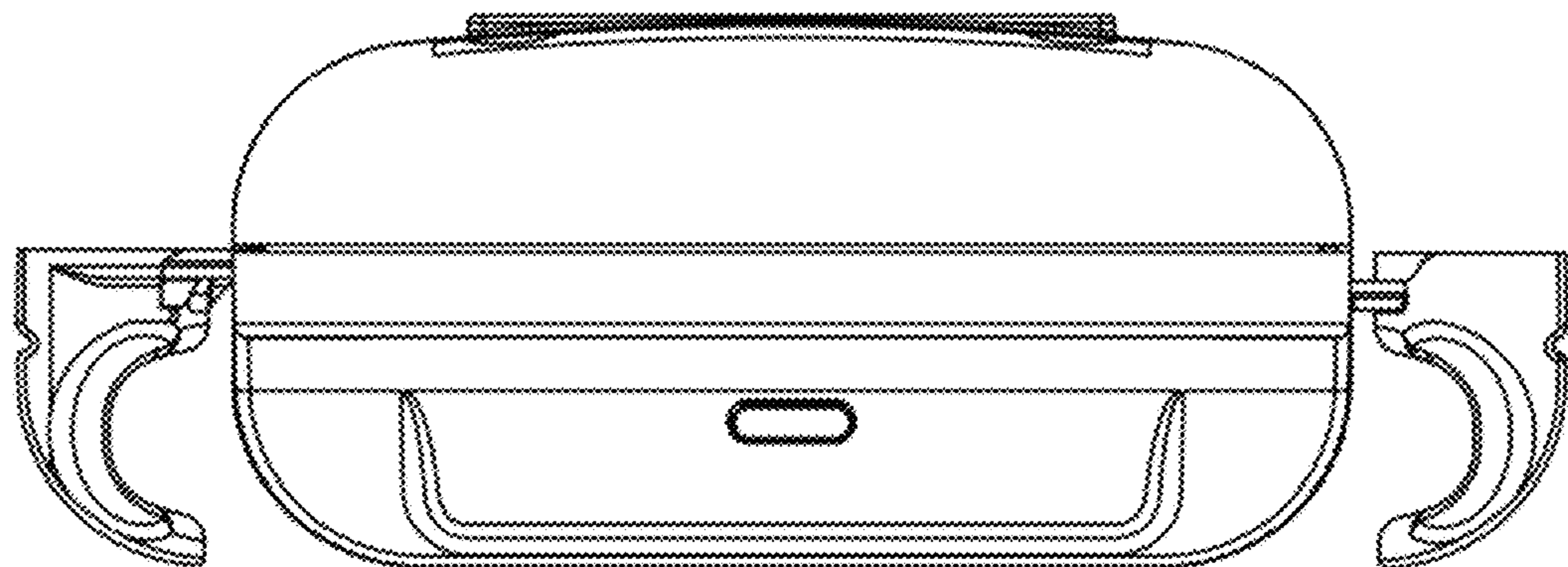
1.13



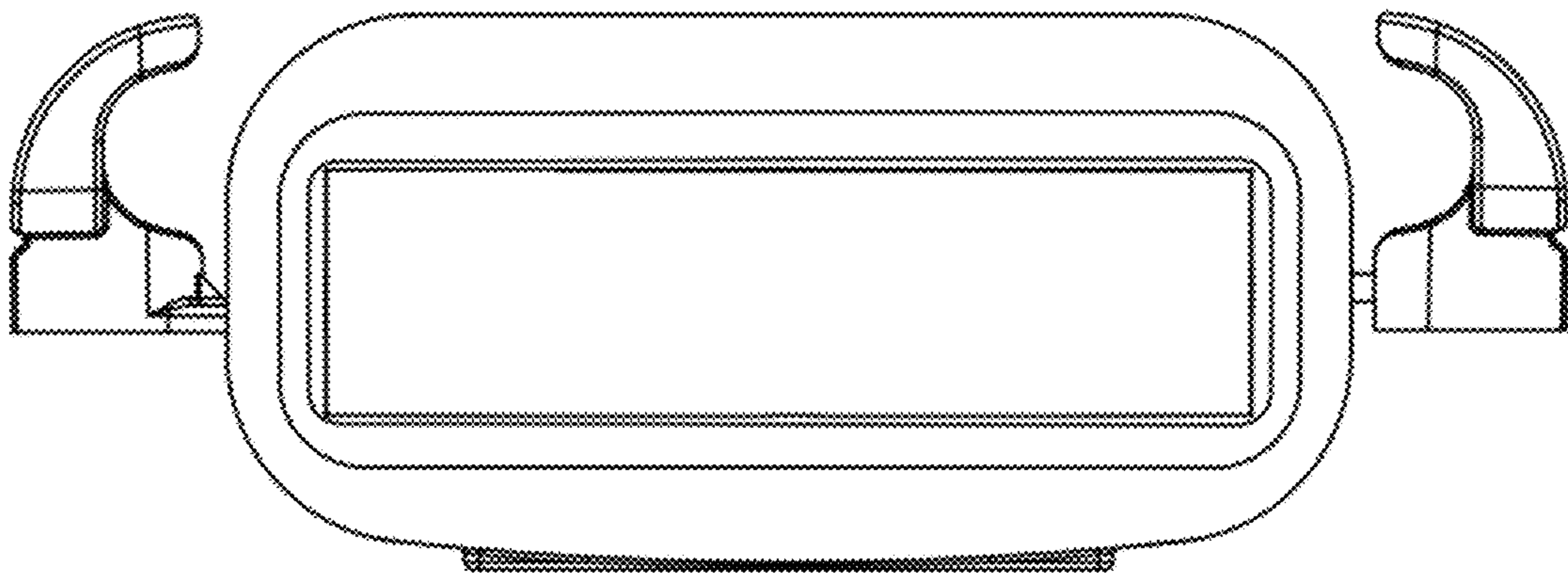
1.14



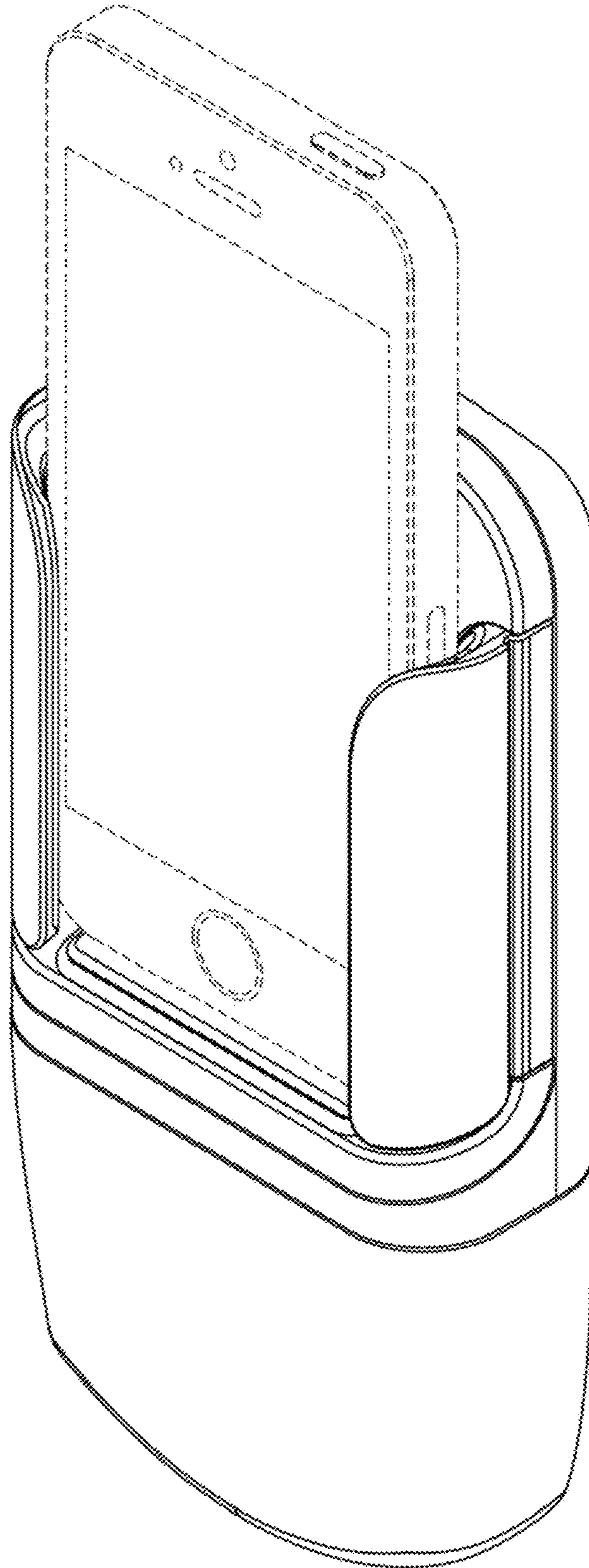
1.15



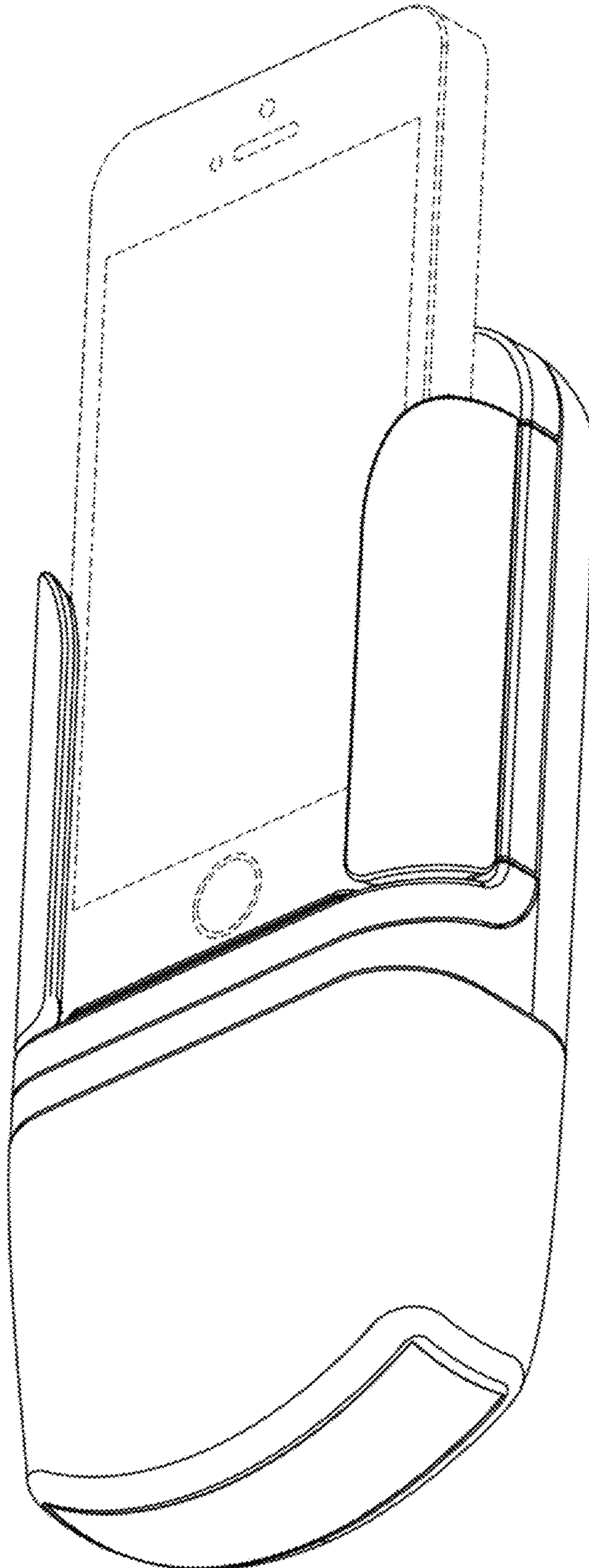
1.16



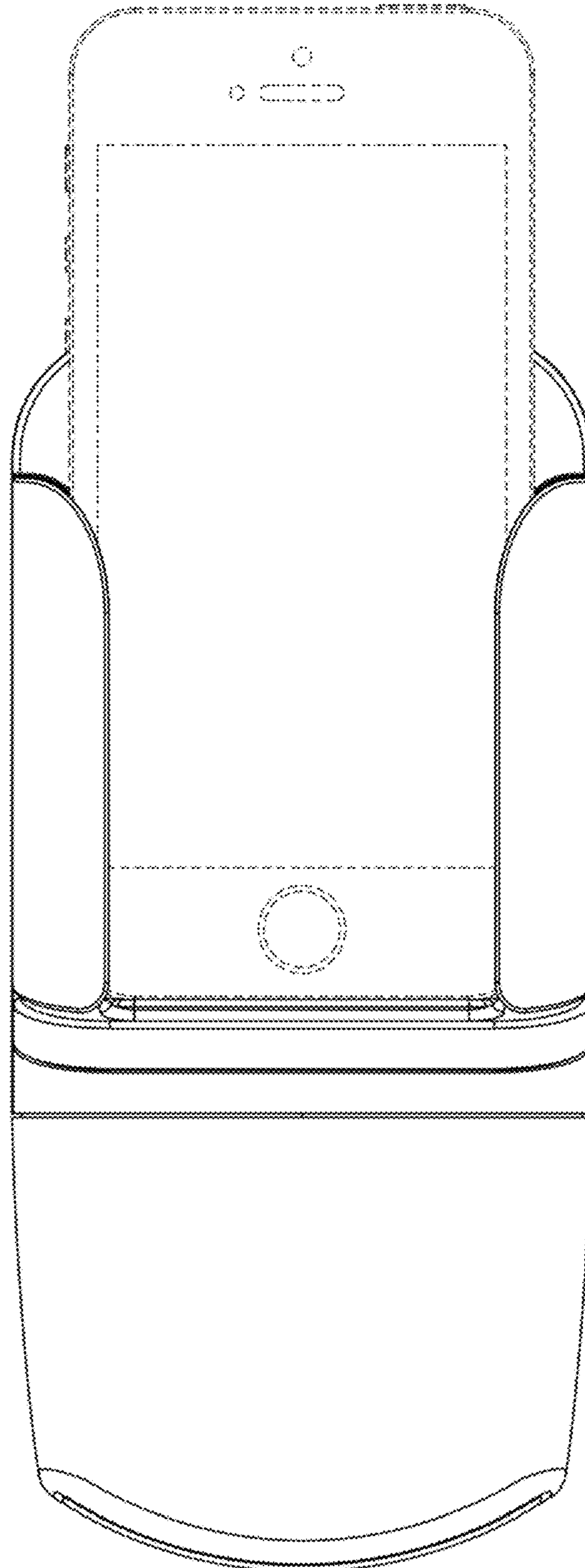
1.17



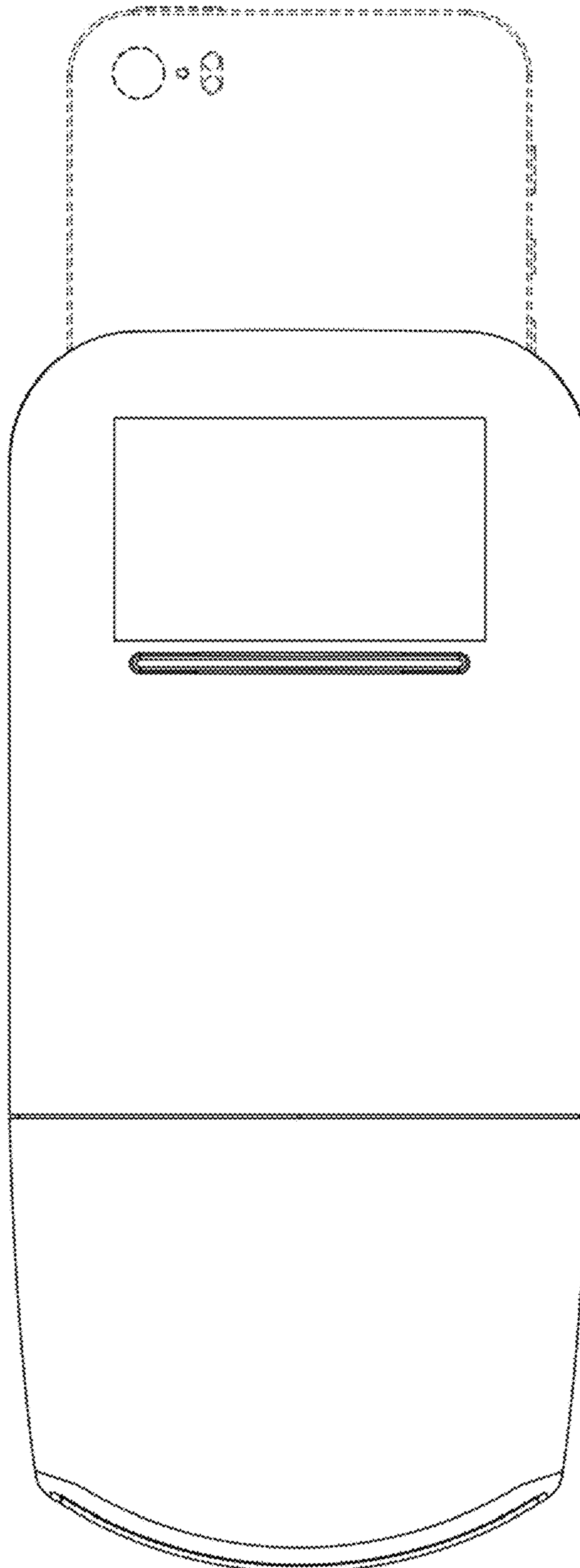
1.18



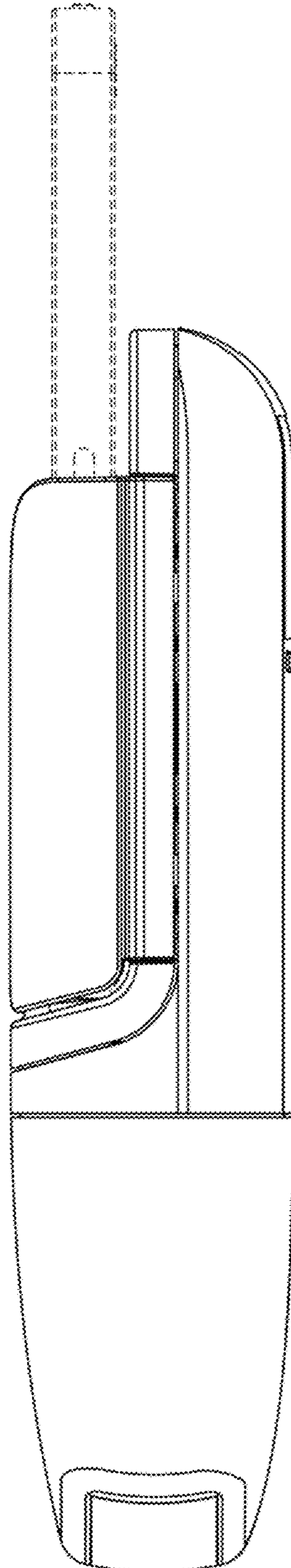
1.19



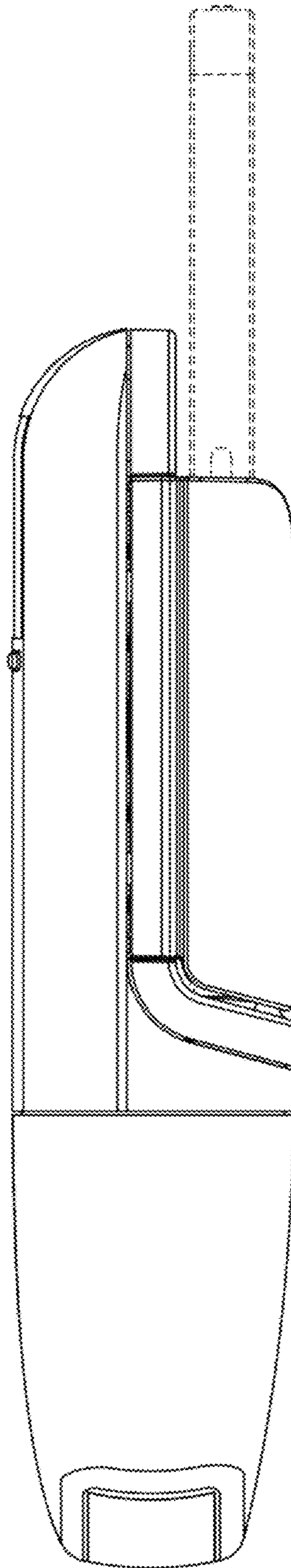
1.20



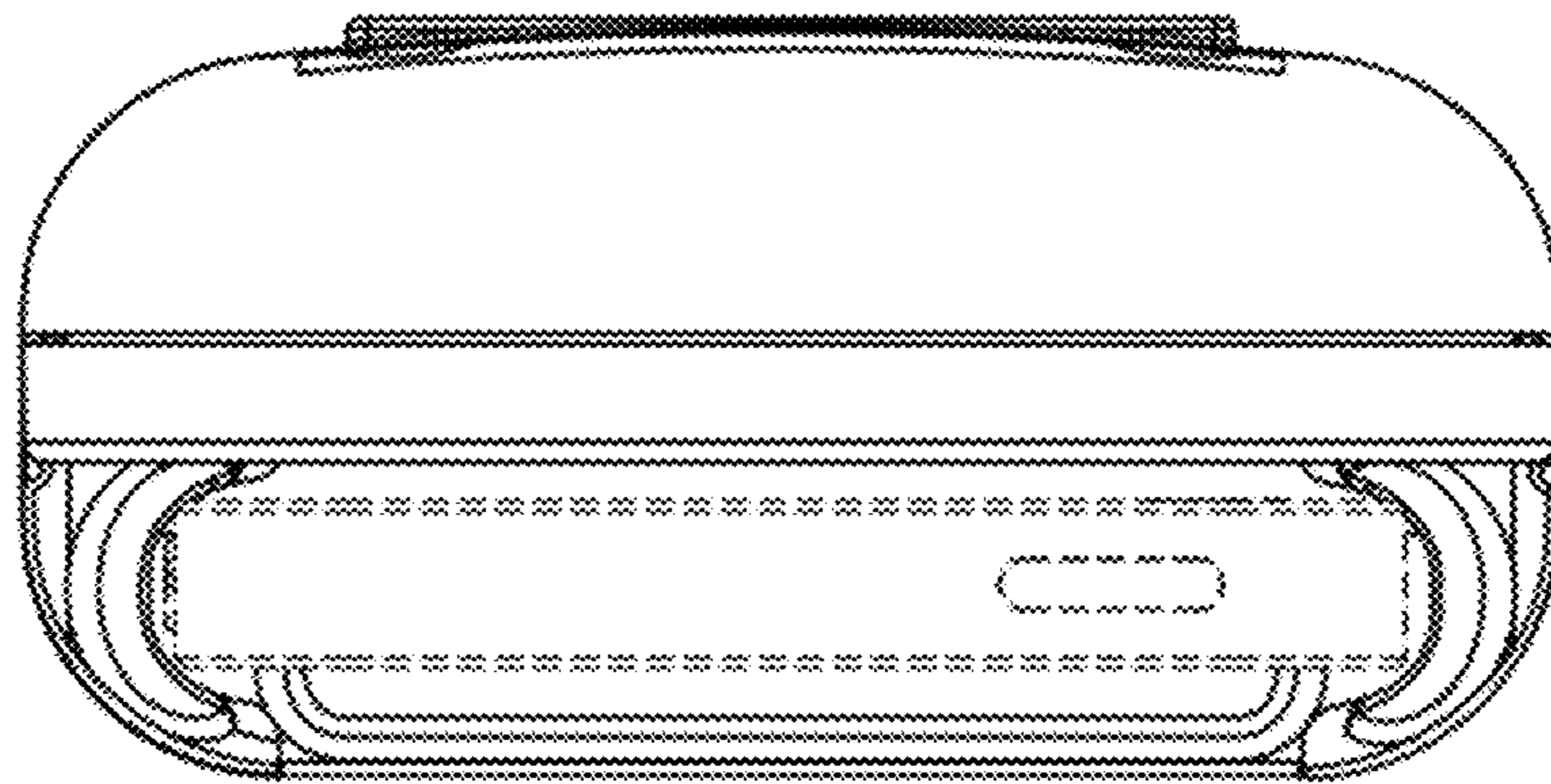
1.21



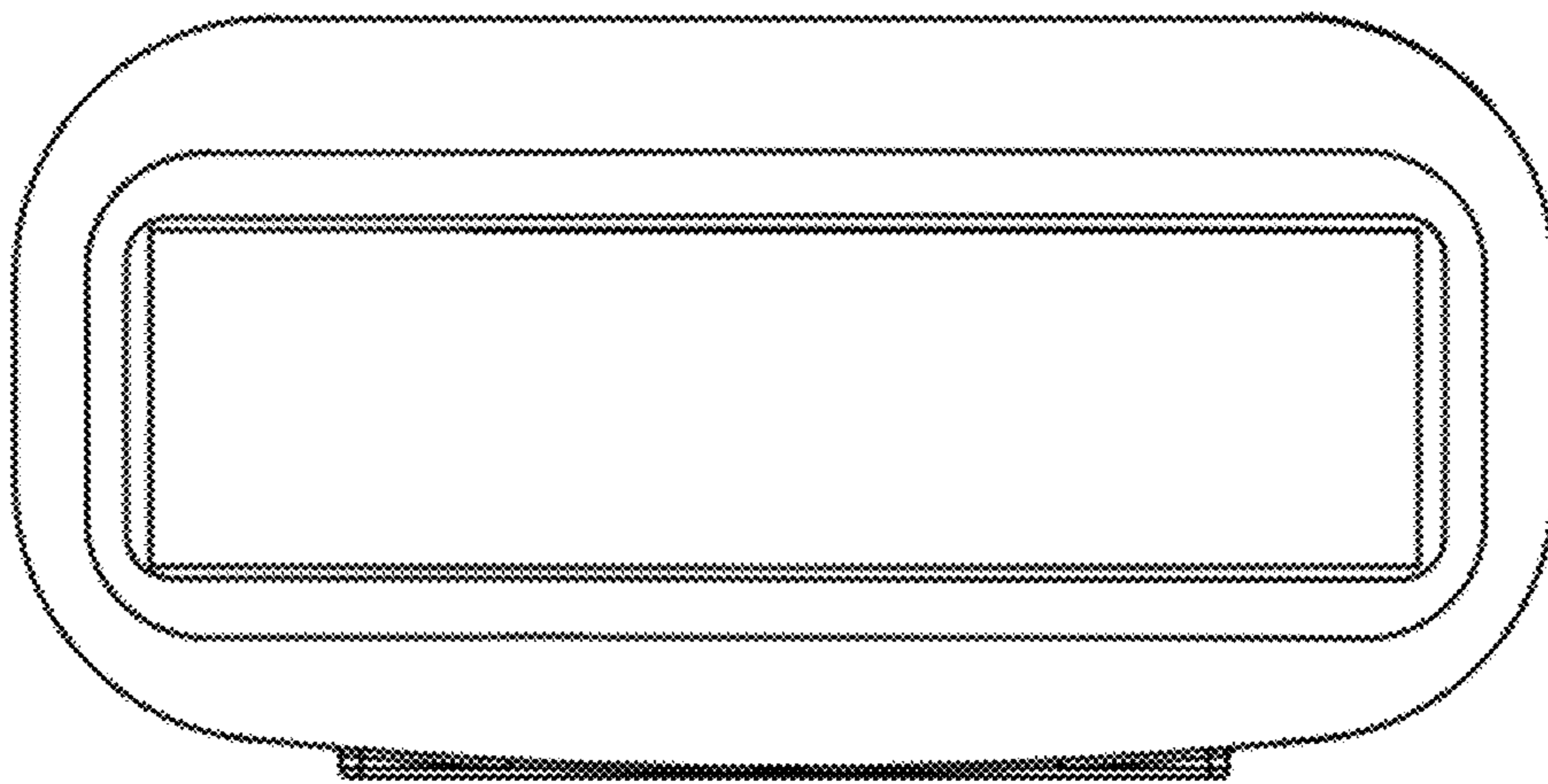
1.22



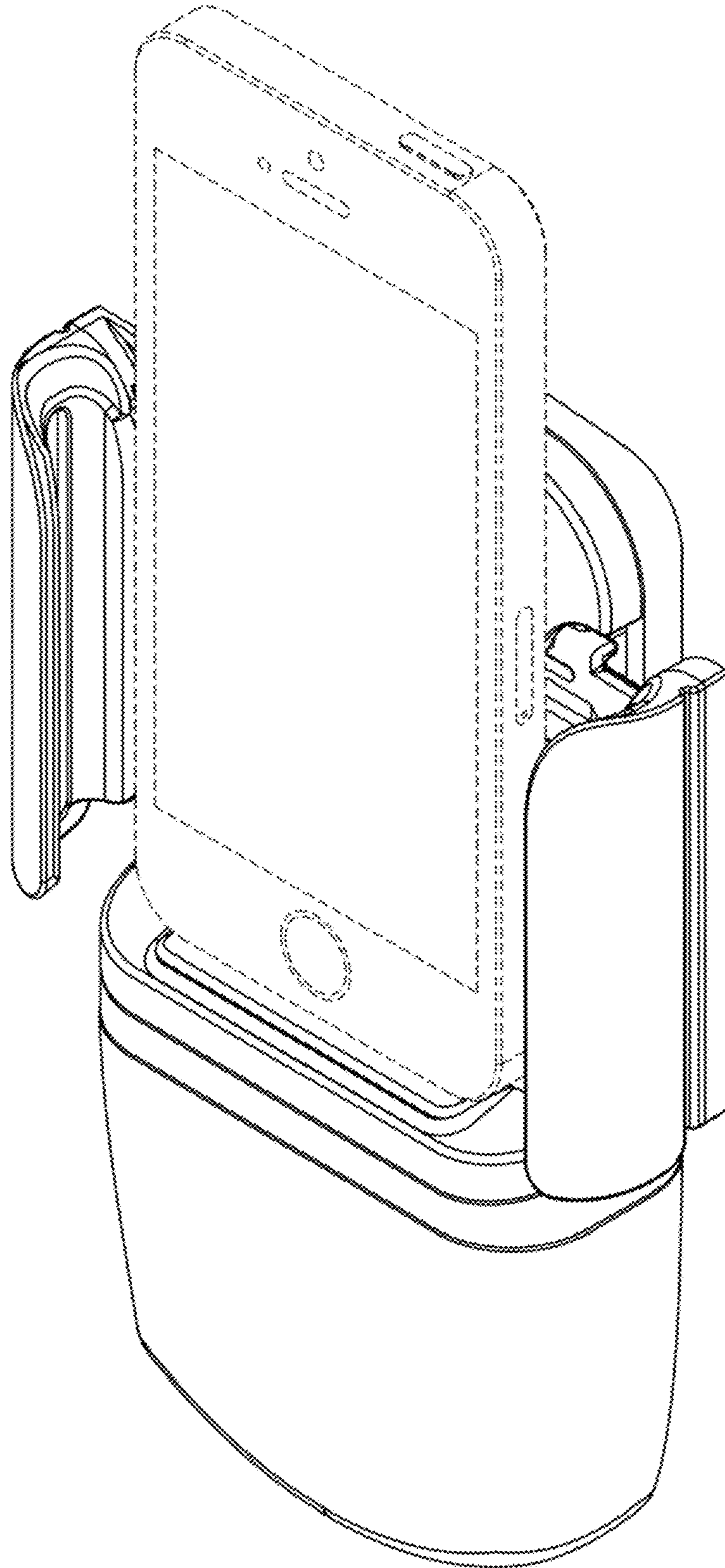
1.23



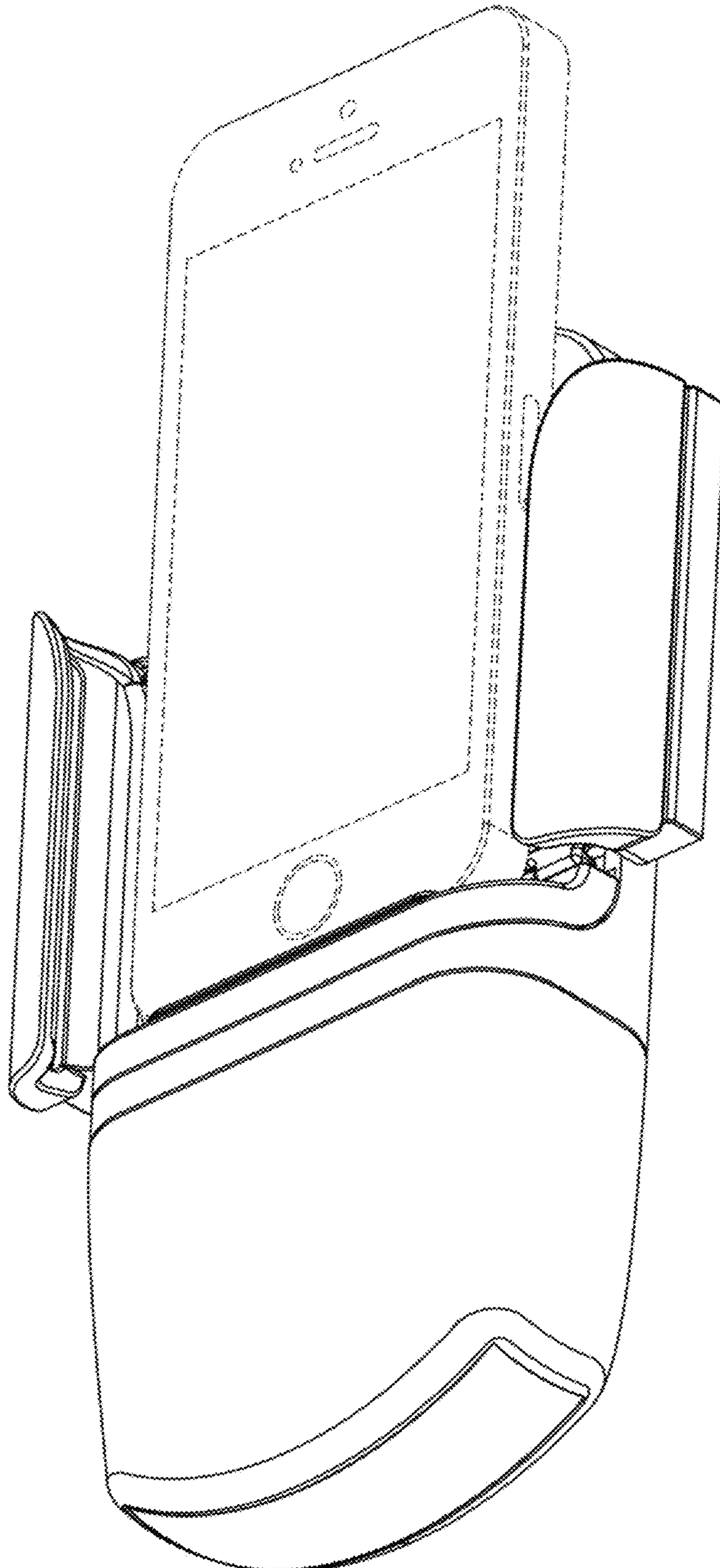
1.24



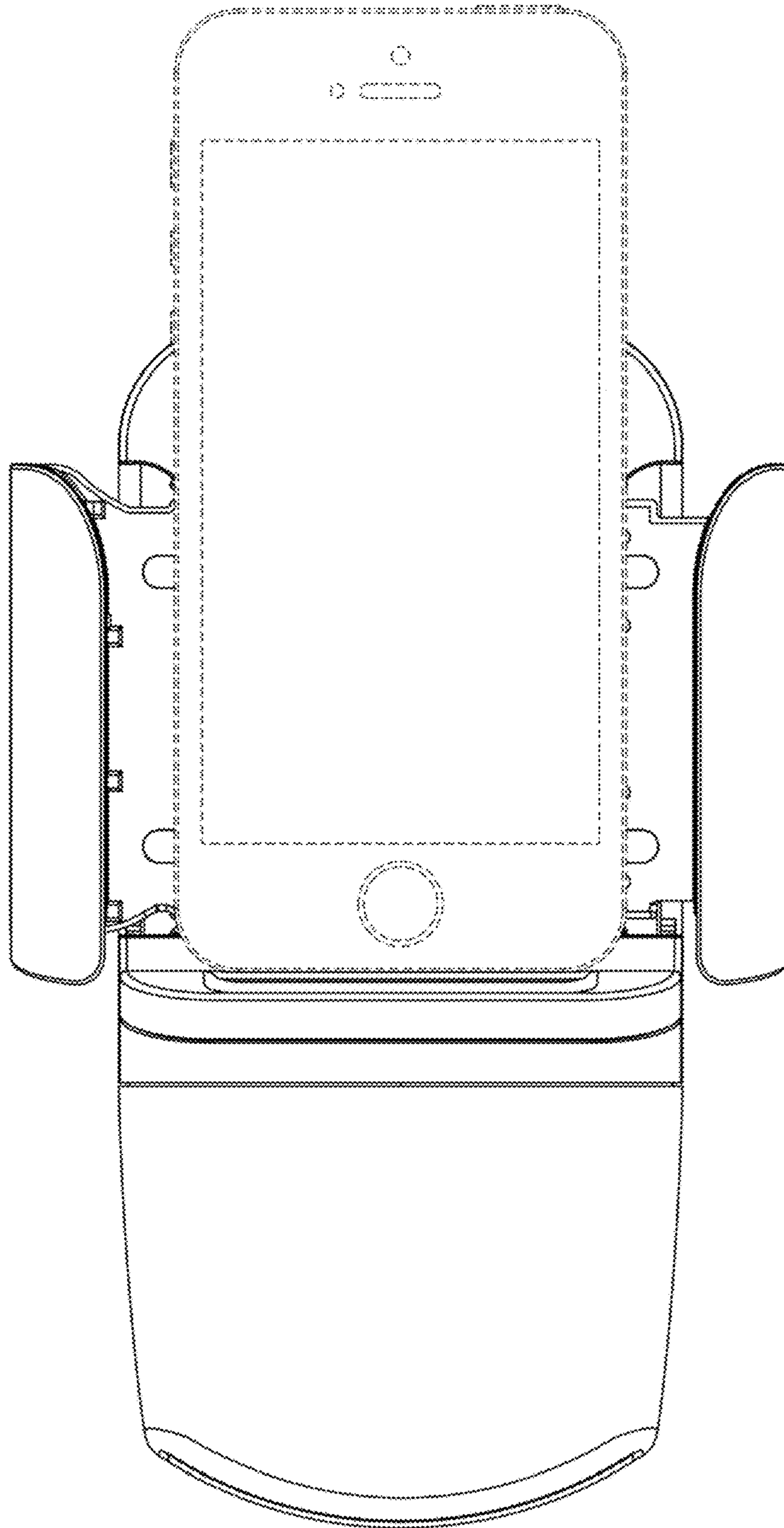
1.25



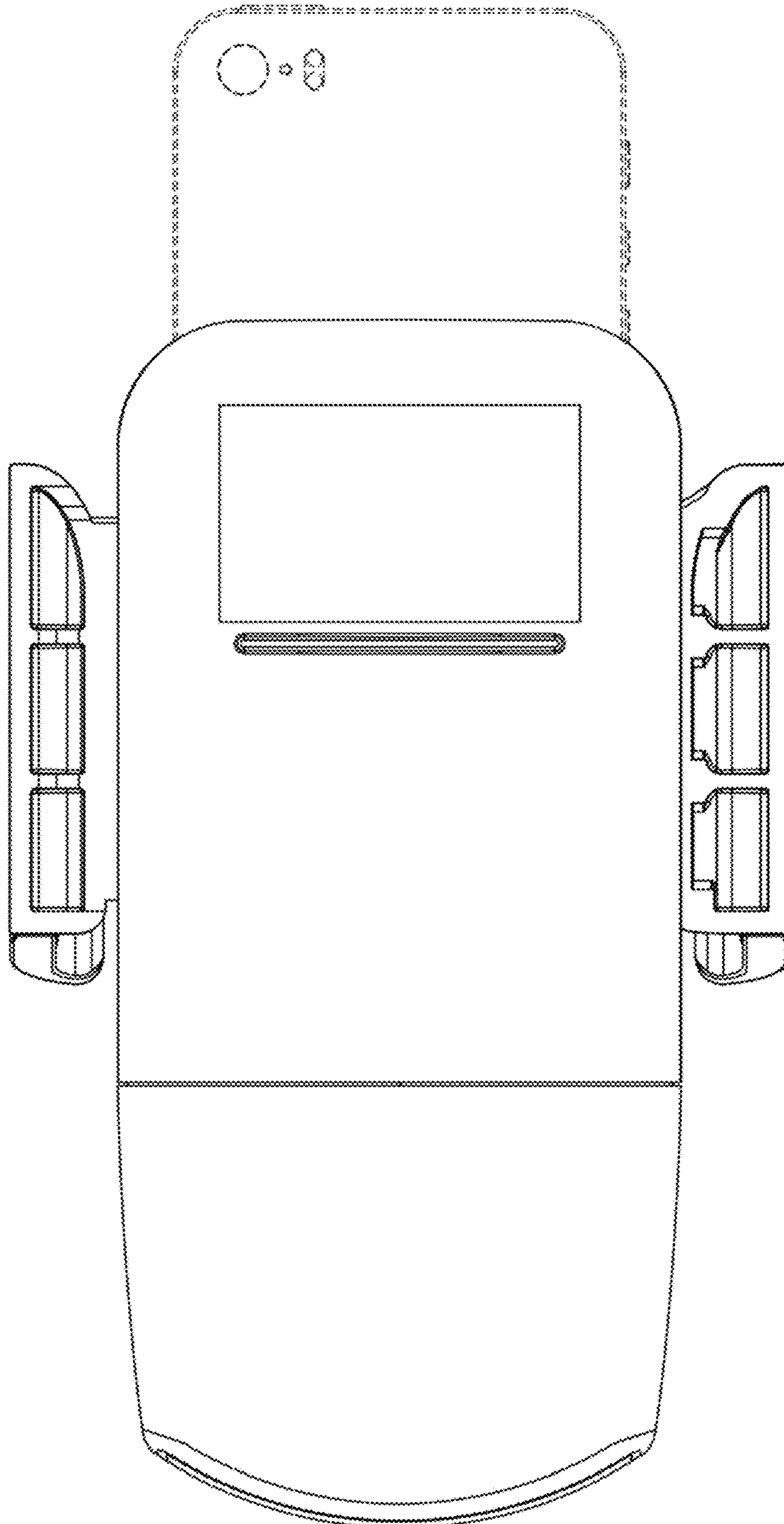
1.26



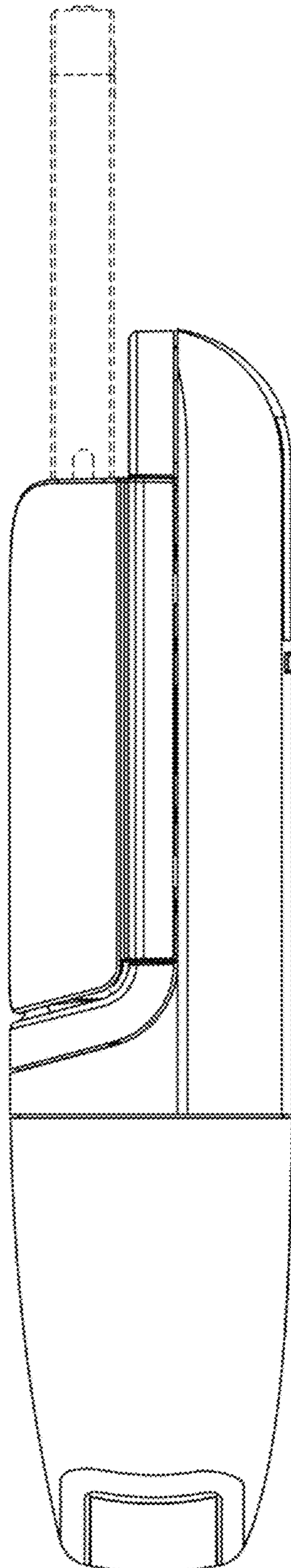
1.27



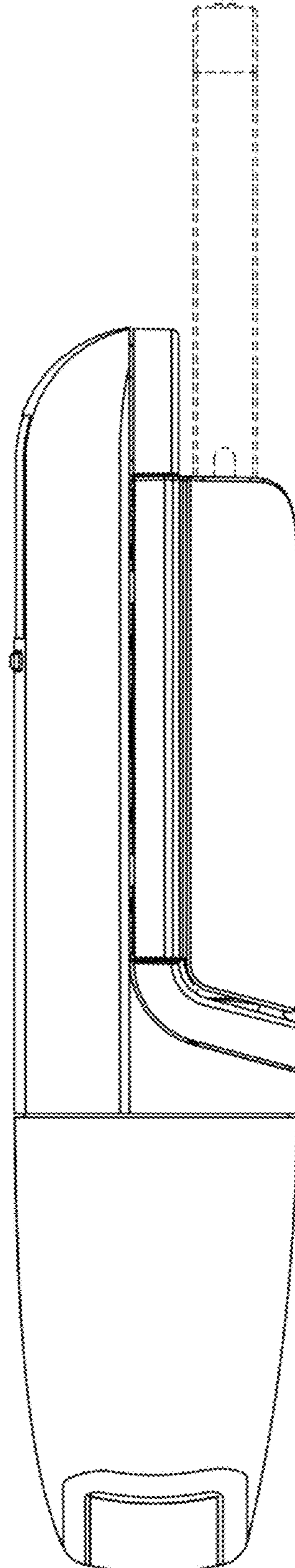
1.28



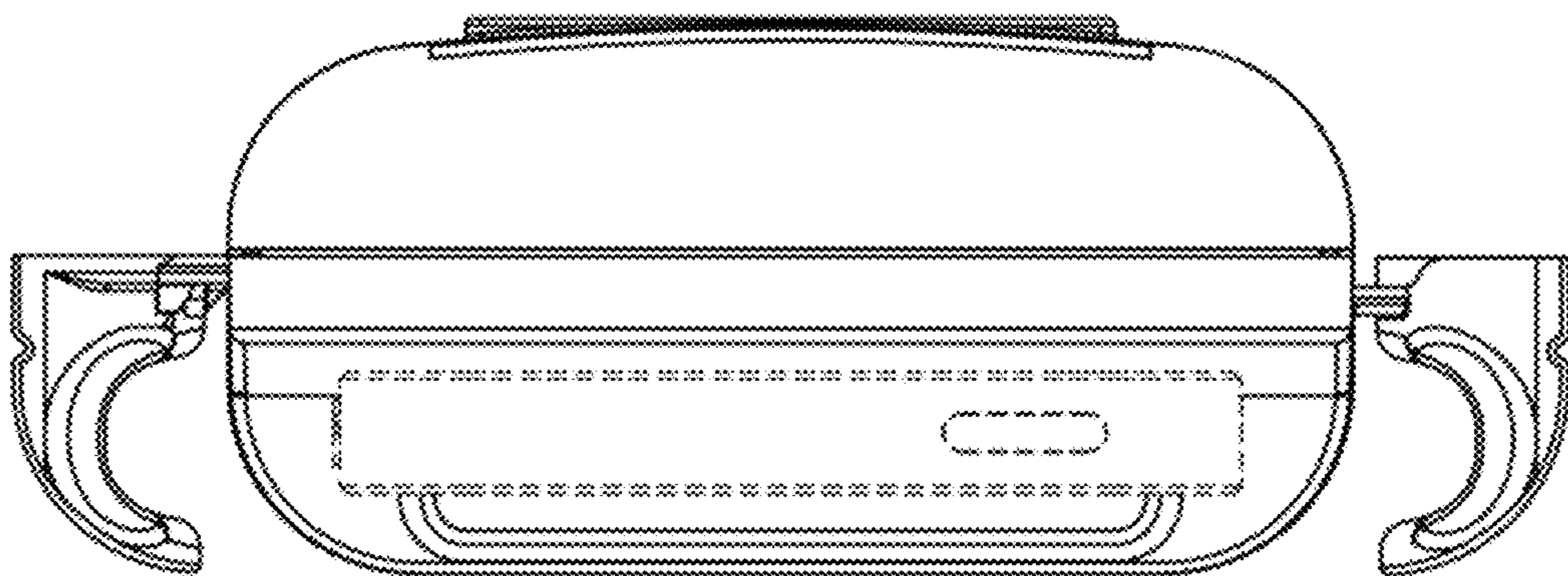
1.29



1.30



1.31



1.32

