



US00D968618S

(12) **United States Design Patent**
Kang

(10) **Patent No.:** **US D968,618 S**

(45) **Date of Patent:** **** Nov. 1, 2022**

(54) **EXPANDABLE SPINAL FUSION CAGE**

(71) Applicant: **L&K BIOMED CO., LTD.**, Yongin-si (KR)

(72) Inventor: **Gook Jin Kang**, Seoul (KR)

(**) Term: **15 Years**

(21) Appl. No.: **35/511,423**

(22) Filed: **Aug. 13, 2020**

(80) **Hague Agreement Data**

Int. Filing Date: **Aug. 13, 2020**

Int. Reg. No.: **DM/211107**

Int. Reg. Date: **Aug. 13, 2020**

Int. Reg. Pub. Date: **Feb. 19, 2021**

(30) **Foreign Application Priority Data**

Mar. 9, 2020 (KR) 30-2020-0010584

(51) **LOC (13) Cl.** **24-03**

(52) **U.S. Cl.**
USPC **D24/155**

(58) **Field of Classification Search**

USPC D12/606, 607; D24/155

CPC A61F 2/447; A61F 2/30771; A61F 2/4425

See application file for complete search history.

(56) **References Cited**

U.S. PATENT DOCUMENTS

D47,672 S *	8/1915	Schweinert	D12/607
D169,353 S *	4/1953	Boyer	D12/607
D201,606 S *	7/1965	McCord	D12/607
D306,420 S *	3/1990	Robinson	D12/607
D365,542 S *	12/1995	Robinson	D12/607
D368,058 S *	3/1996	Robinson	D12/607
D445,736 S *	7/2001	Sheu	D12/607
6,454,807 B1 *	9/2002	Jackson	A61F 2/447 623/17.15
D690,812 S *	10/2013	Dowdell	D24/155

D693,926 S *	11/2013	Perkins	D24/155
D712,821 S *	9/2014	Puppis	D12/607
D740,424 S *	10/2015	Dacosta	D24/155
D795,398 S *	8/2017	Decaria	D23/260
D839,422 S *	1/2019	Gro er	D24/130
10,588,676 B2 *	3/2020	Kang	A61B 17/8695
10,660,684 B2 *	5/2020	Kang	A61B 17/8605

(Continued)

OTHER PUBLICATIONS

International Journal of Spine Surgery. Current Concepts of Contemporary Expandable Lumbar Interbody Fusion Cage Designs, Part 1: An Editorial on Their Biomechanical Characteristics. Dec. 1, 2020. <https://www.ijssurgery.com/content/14/s3/S63> (Year: 2020).*

Primary Examiner — Darcey E Gottschalk

(57) **CLAIM**

The ornamental design for an expandable spinal fusion cage, as shown and described.

DESCRIPTION

1. Expandable spinal fusion cage

1.1 : Perspective

1.2 : Front

1.3 : Back

1.4 : Left

1.5 : Right

1.6 : Top

1.7 : Bottom

1.8 : Reference view of state of use

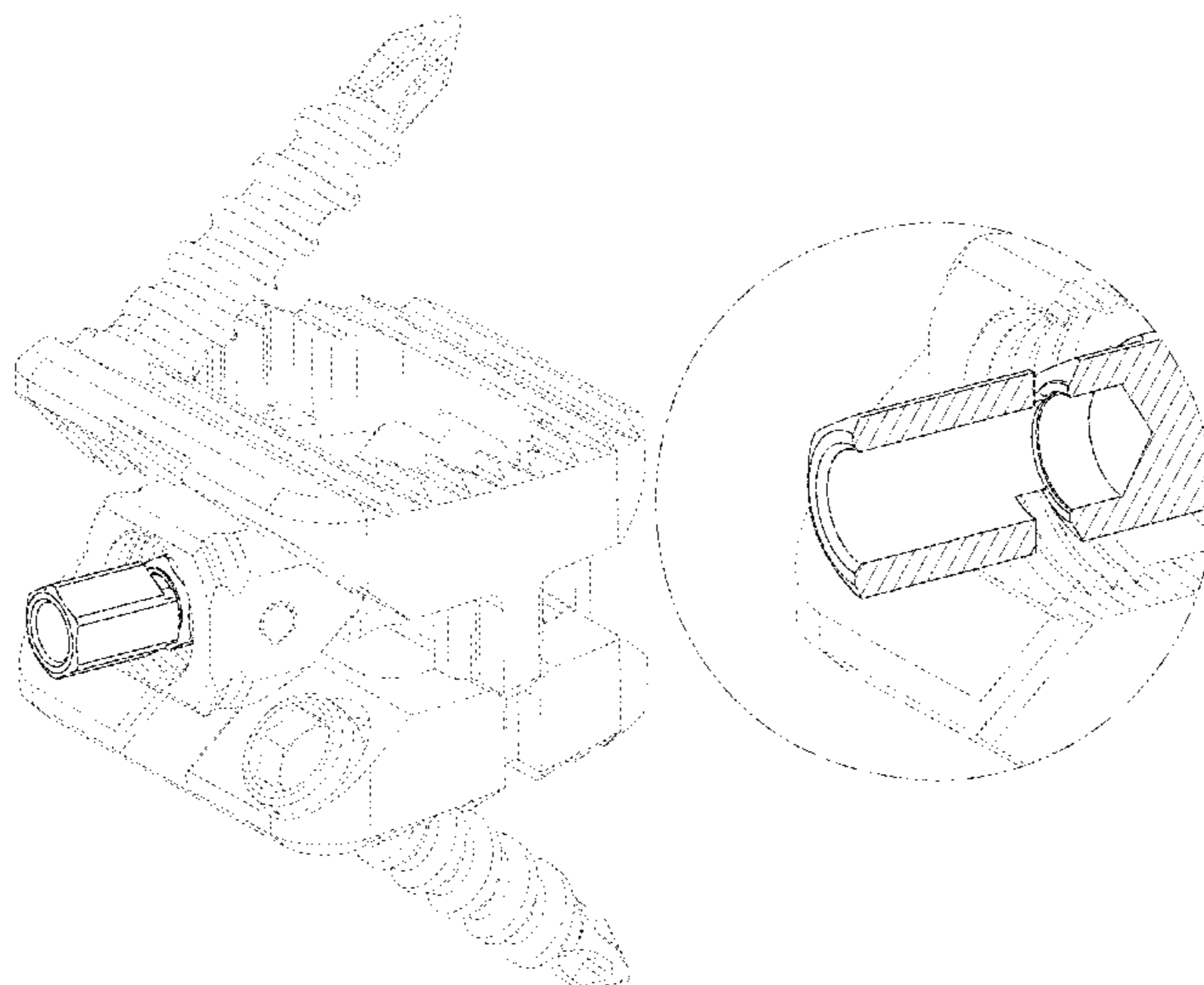
1.9 : Reference view of state of use

1.10: Cross-sectional reference view showing the state of use taken in the direction of line A-A of Fig. 1.2

1.11: Cross-sectional enlarged reference view showing the state of use taken from the broken line circle of Fig. 1.10

In the reproductions, the evenly-spaced broken lines show portions of an expandable spinal fusion cage that form no part of the claim; the dash-dot-dash lines represent boundaries of the claimed design and form no part thereof.

1 Claim, 11 Drawing Sheets



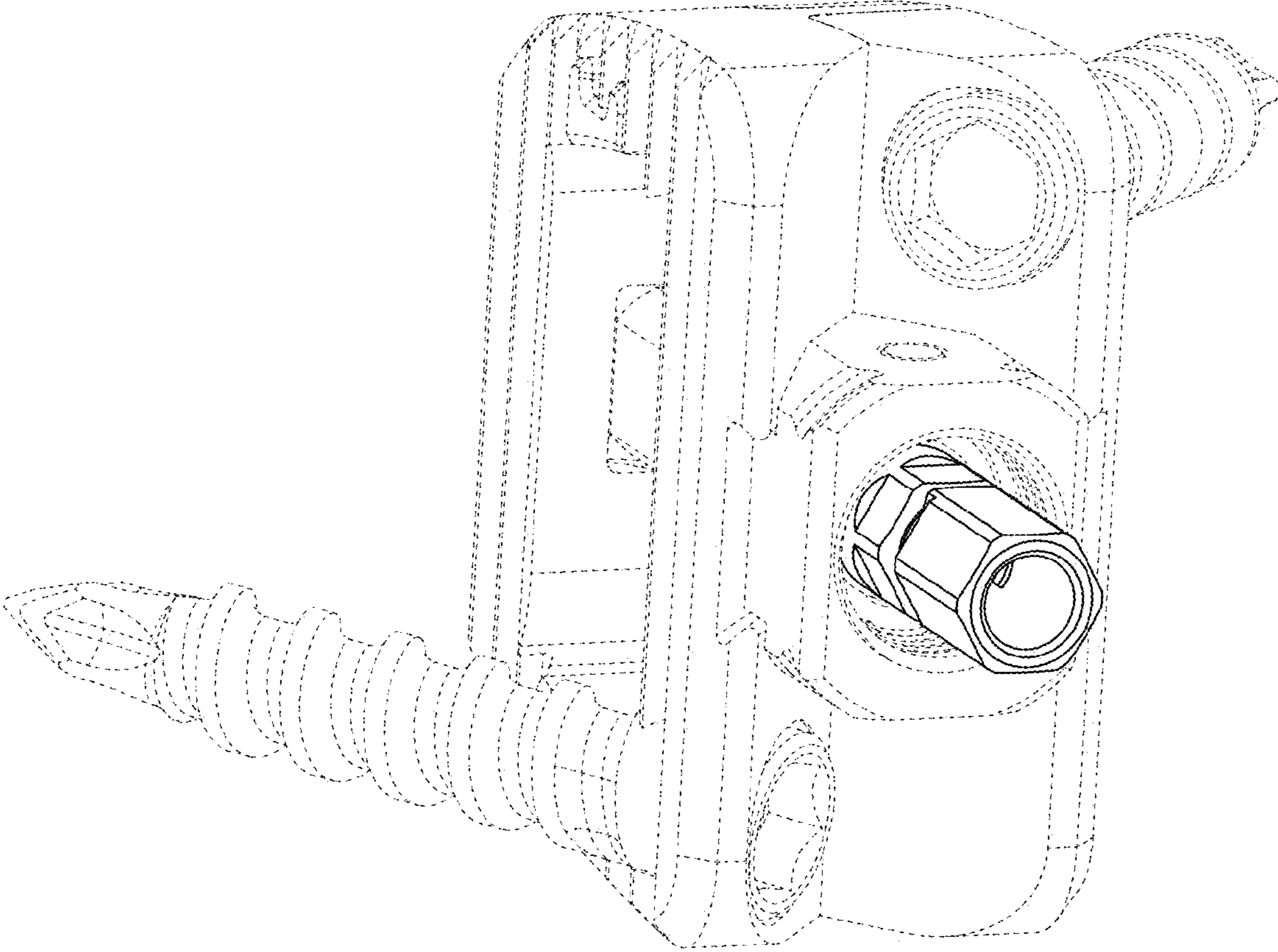
(56)

References Cited

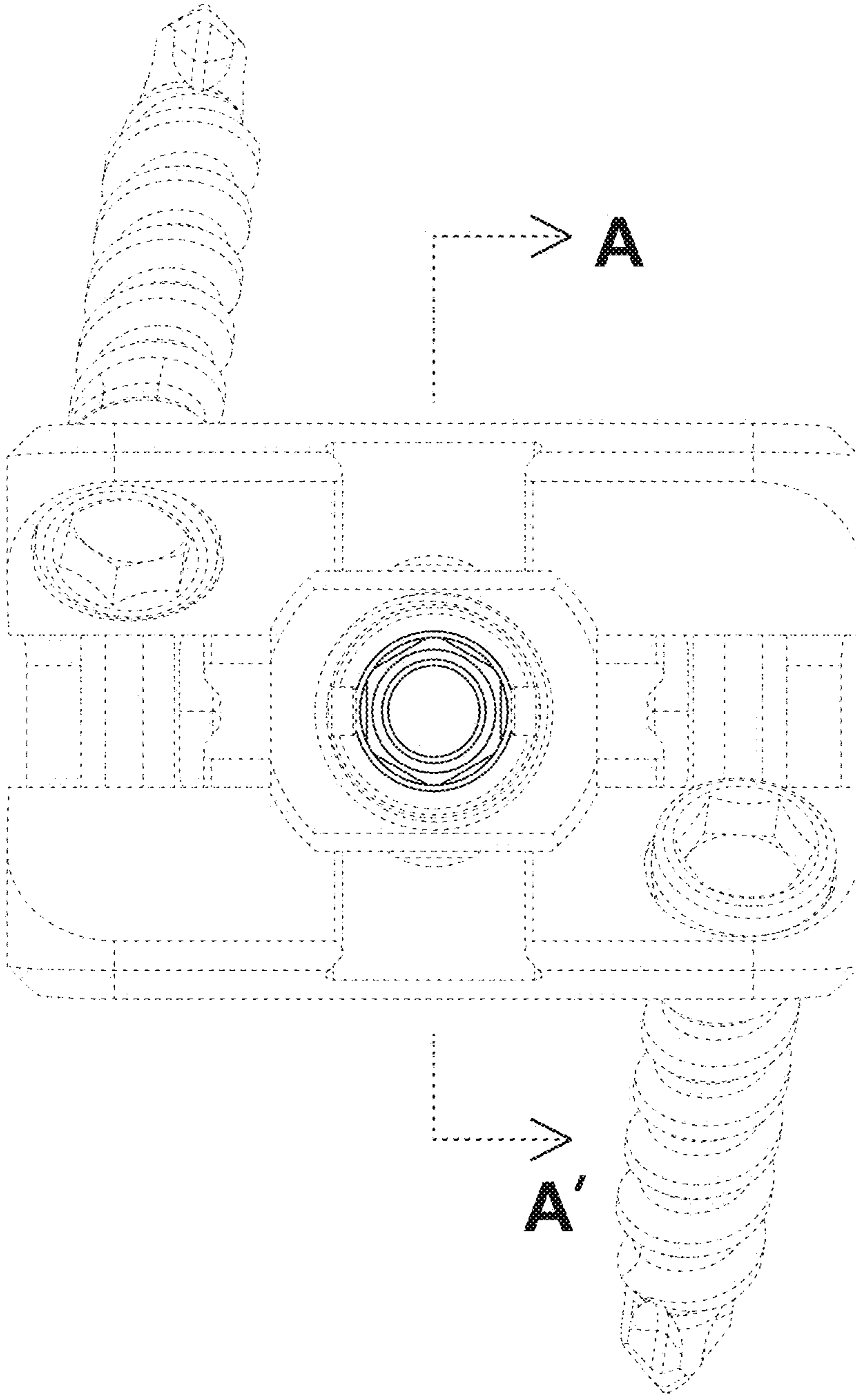
U.S. PATENT DOCUMENTS

11,065,043	B2 *	7/2021	Lee	A61B 17/8042
D951,450	S *	5/2022	Hyeon	D24/155
D956,234	S *	6/2022	Kang	D24/155
2002/0138146	A1 *	9/2002	Jackson	A61F 2/4455
					623/17.15
2008/0021558	A1 *	1/2008	Thramann	A61F 2/447
					623/17.16

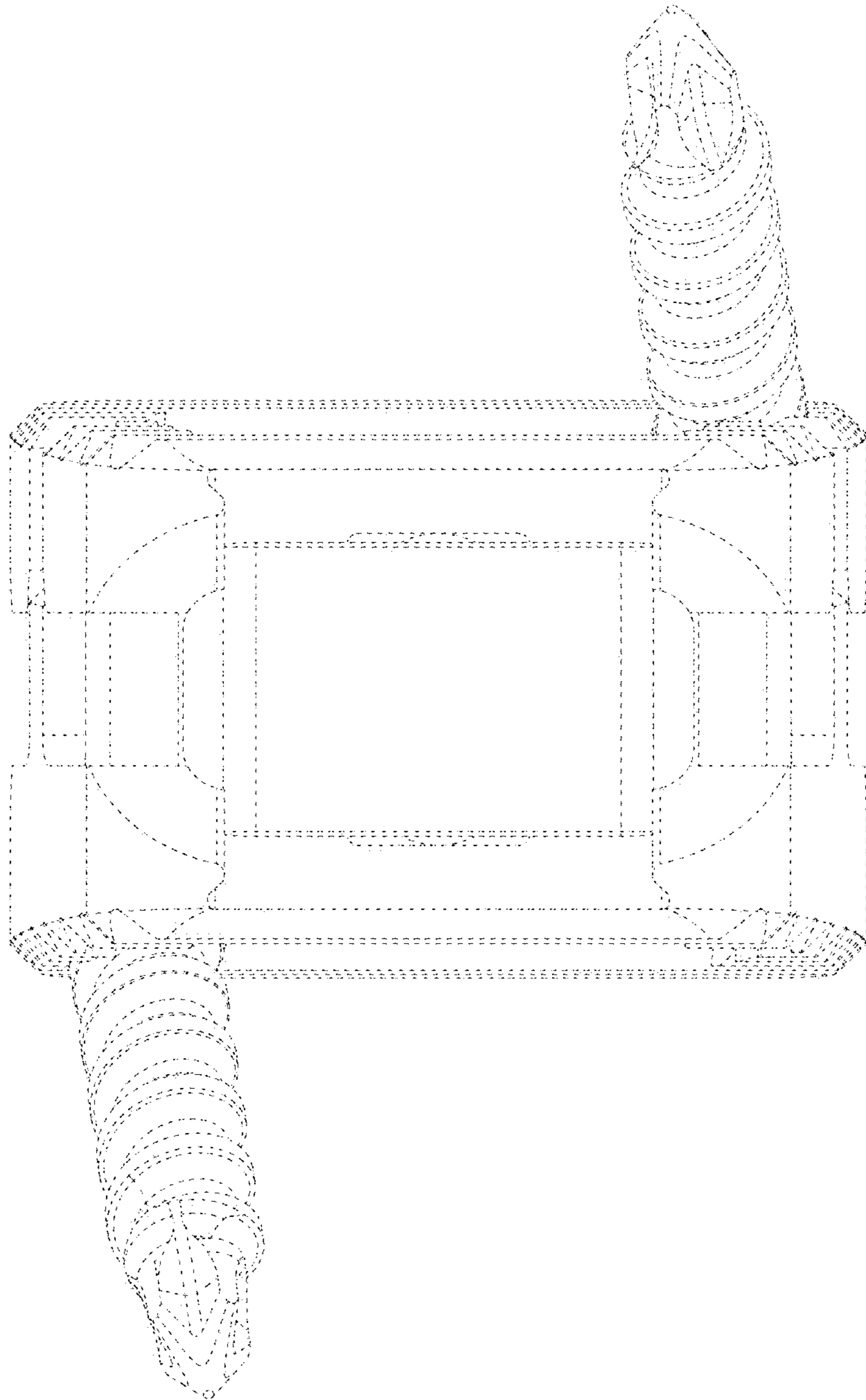
* cited by examiner



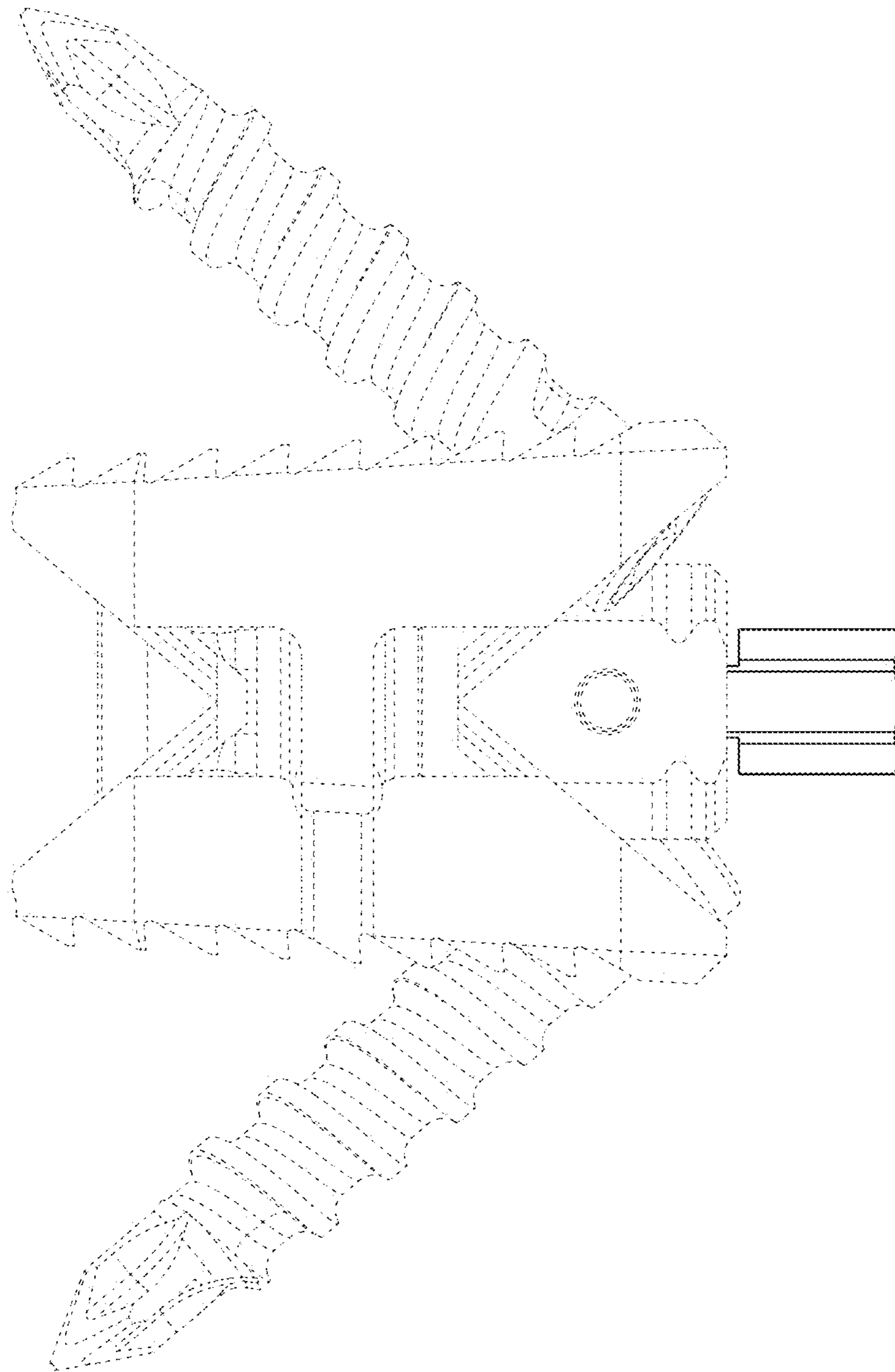
1.1



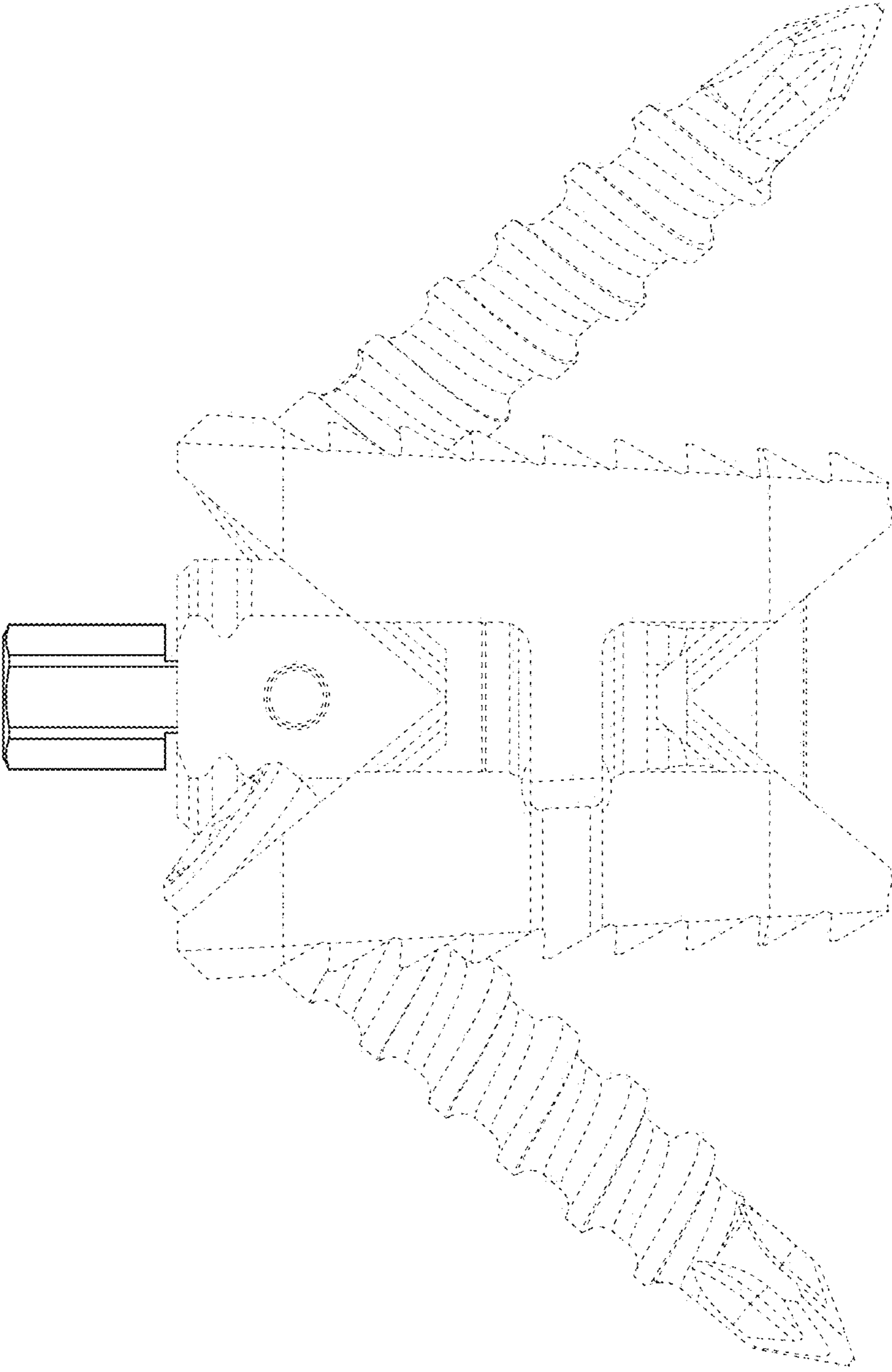
1.2



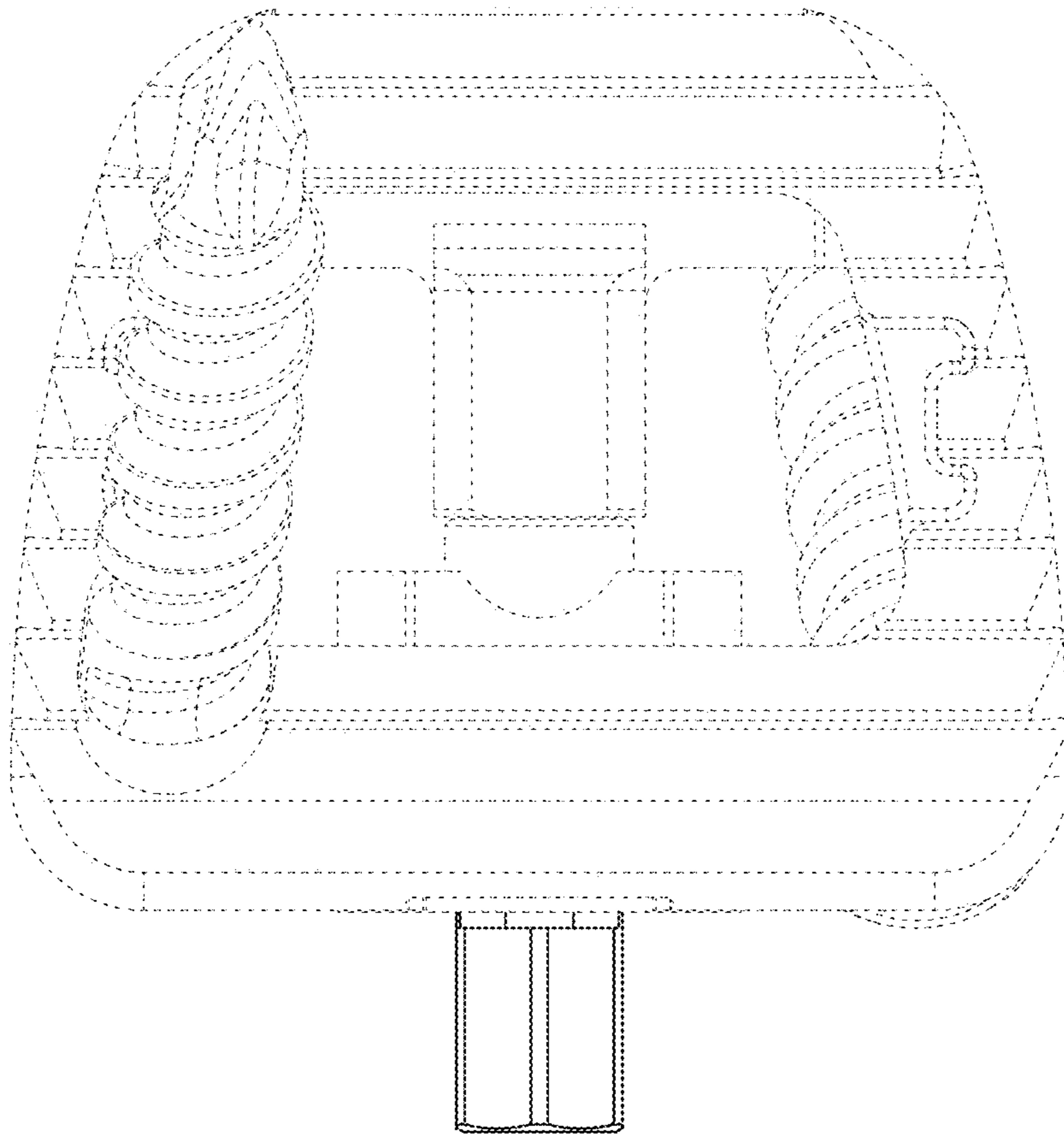
1.3



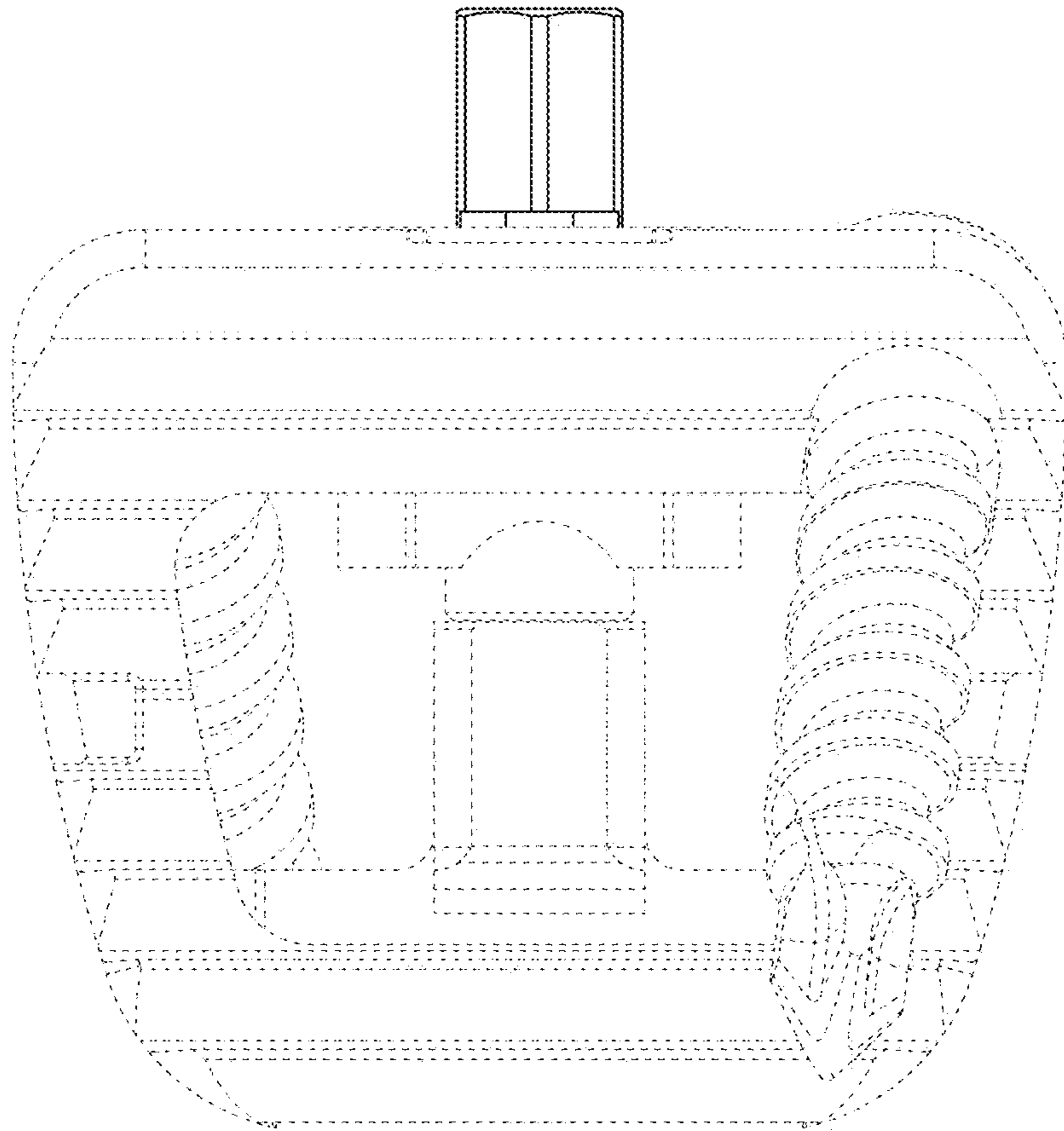
1.4



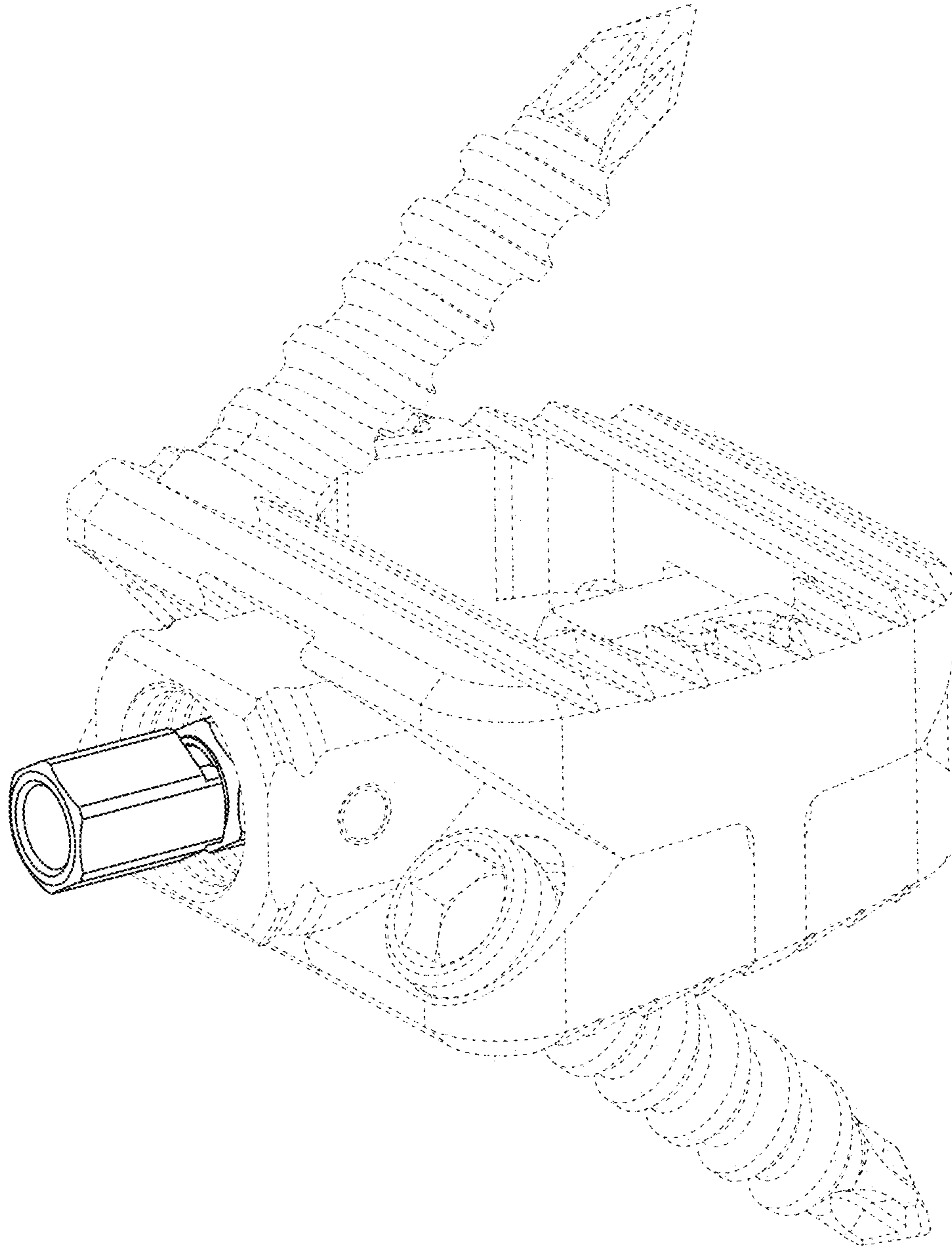
1.5



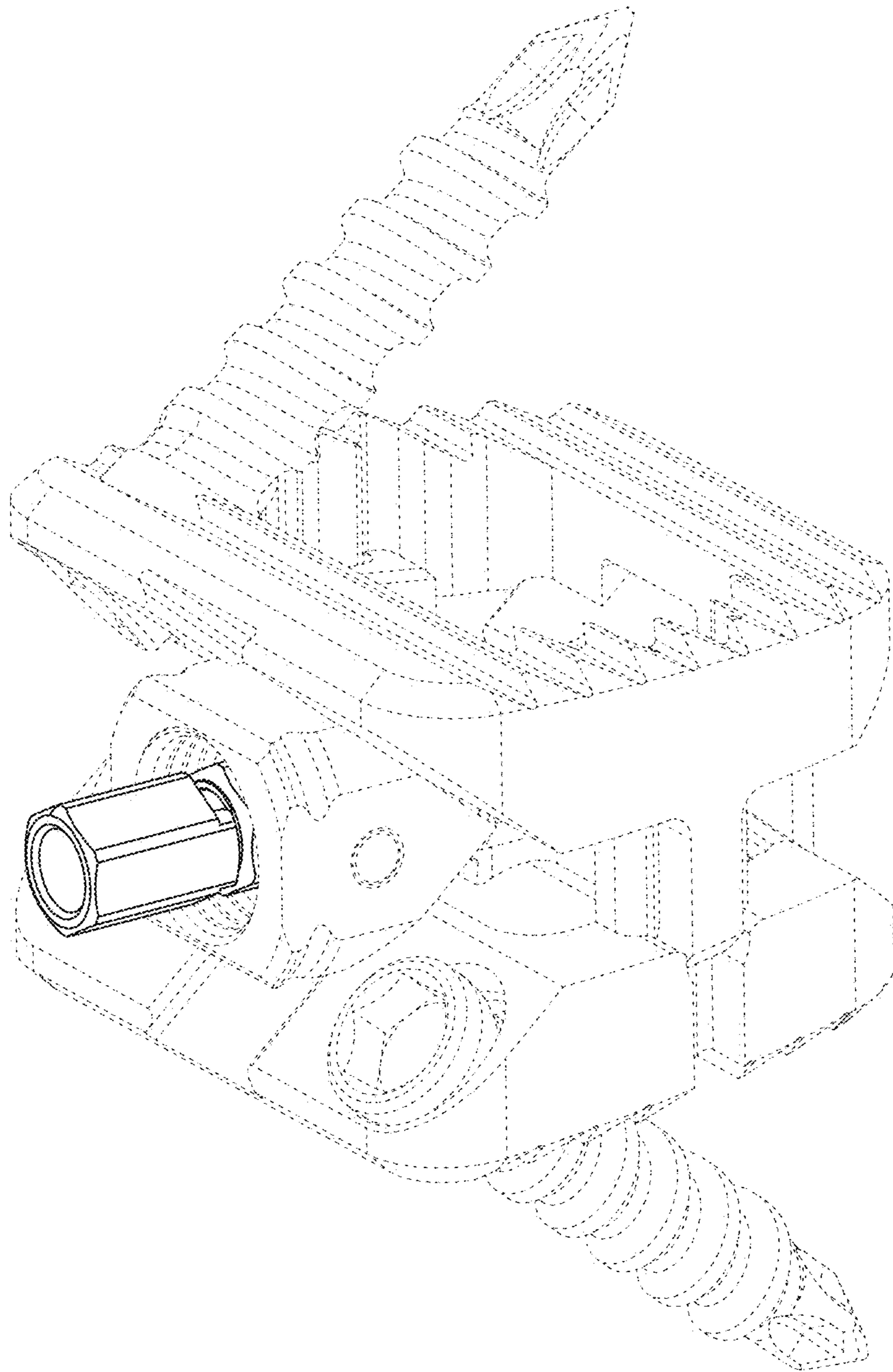
1.6



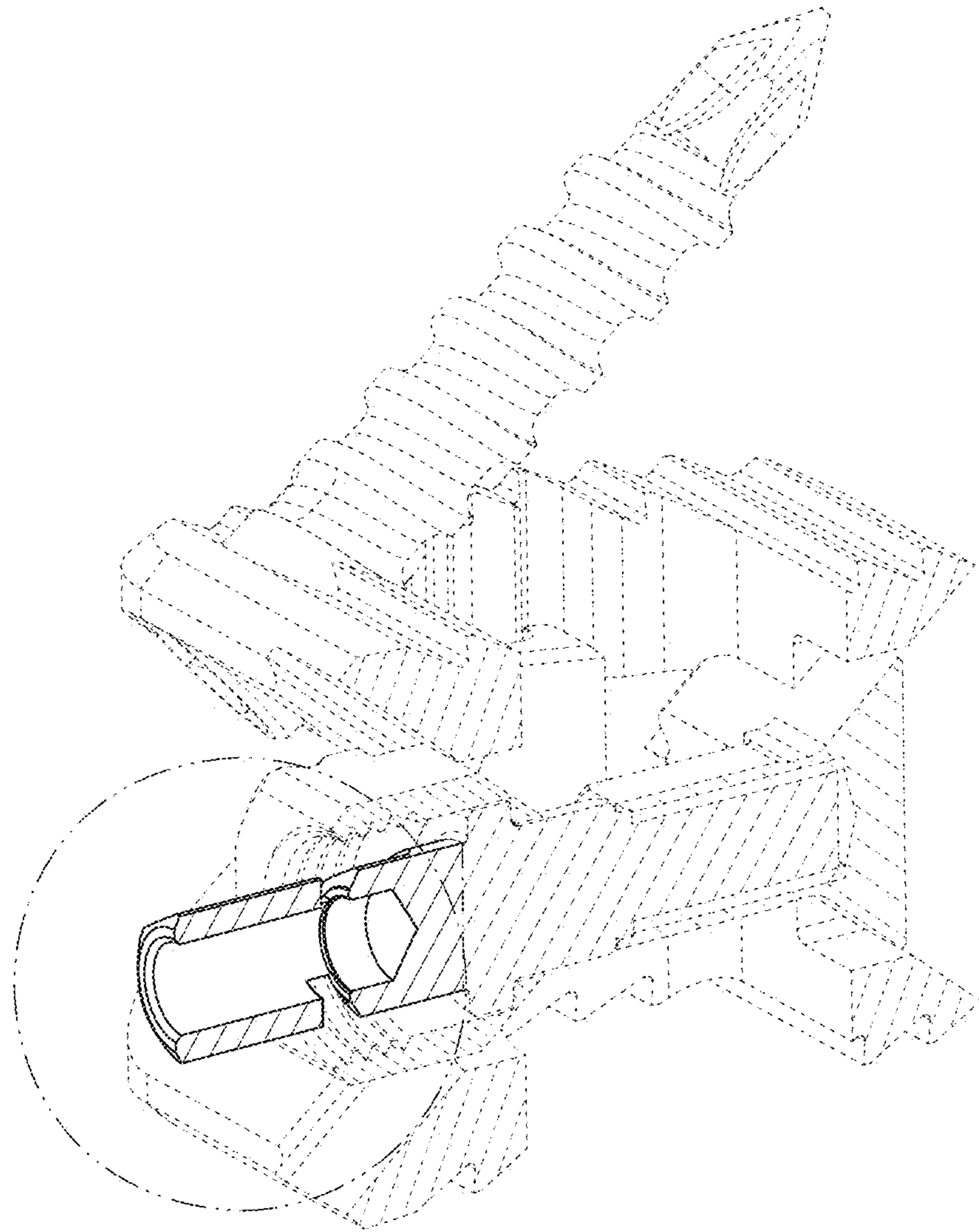
1.7



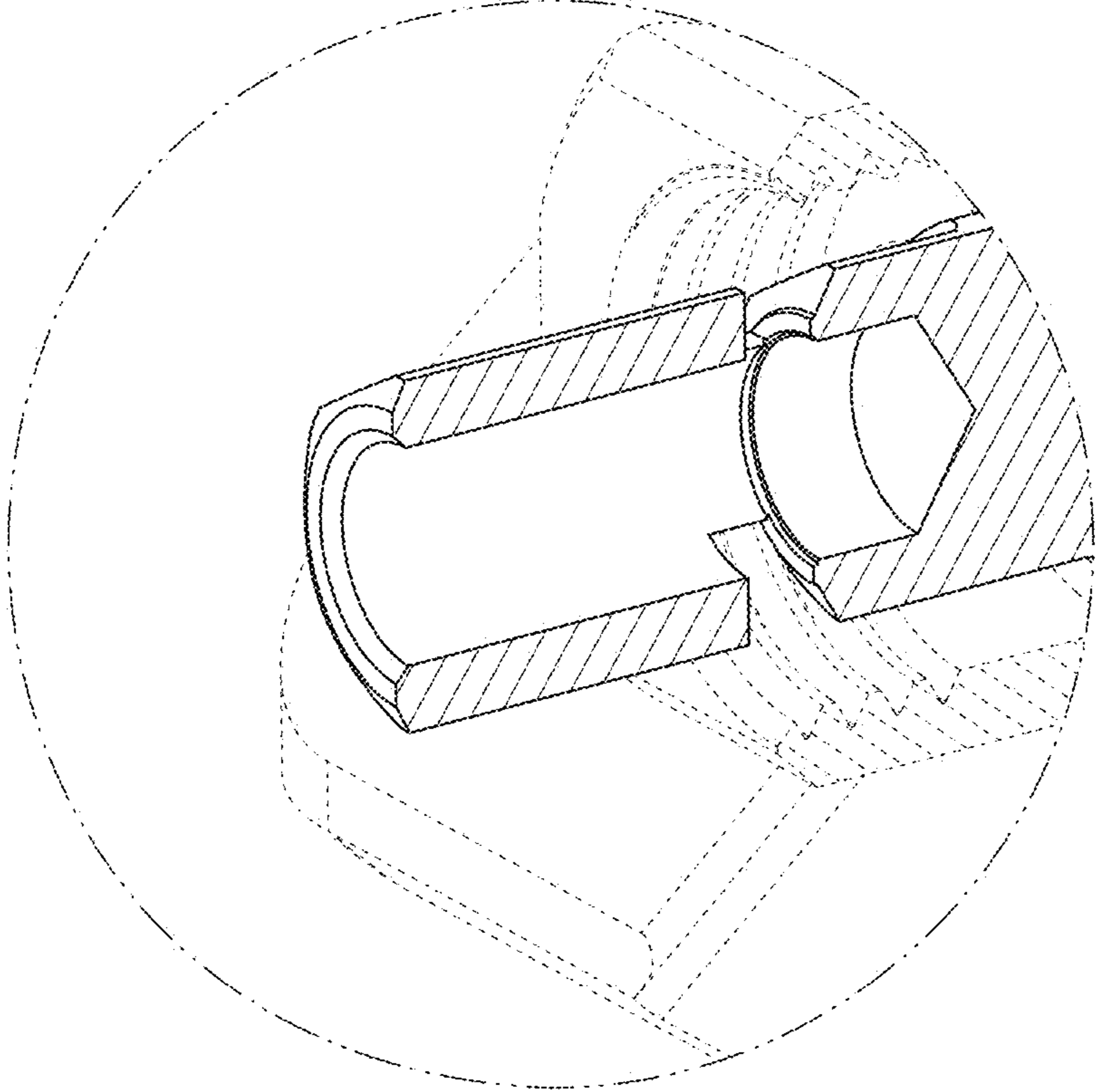
1.8



1.9



1.10



1.11