

US00D968614S

(12) **United States Design Patent**
Cain

(10) **Patent No.:** **US D968,614 S**

(45) **Date of Patent:** **** Nov. 1, 2022**

(54) **MEDICAL DEVICE**

(71) Applicant: **MIRUS LLC**, Marietta, GA (US)

(72) Inventor: **David Brett Cain**, Marietta, GA (US)

(73) Assignee: **MIRUS LLC**, Marietta, GA (US)

(**) Term: **15 Years**

(21) Appl. No.: **29/818,598**

(22) Filed: **Dec. 9, 2021**

Related U.S. Application Data

(63) Continuation of application No. 29/758,296, filed on Nov. 13, 2020, now Pat. No. Des. 942,011.

(51) **LOC (13) Cl.** **24-03**

(52) **U.S. Cl.**
USPC **D24/155**

(58) **Field of Classification Search**
USPC D24/155

CPC A61F 2/4611; A61F 2/442; A61F 2/447;
A61F 2220/0025; A61F 2310/00023;
A61F 2310/00017; A61F 2002/4475;
A61F 2002/30841; A61F 2002/2835;
A61F 2002/30904; A61F 2002/30785;
A61F 2002/443; A61F 2002/30578

See application file for complete search history.

(56) **References Cited**

U.S. PATENT DOCUMENTS

3,867,728 A 2/1975 Stubstad
4,955,908 A 9/1990 Frey et al.
5,496,372 A 3/1996 Hamamoto et al.
5,545,229 A 8/1996 Parsons et al.
5,609,635 A 3/1997 Michelson
7,001,551 B2 2/2006 Meredith
D625,821 S 10/2010 Goncalves et al.

9,295,562 B2 3/2016 Lechmann et al.
9,345,817 B2 5/2016 Papengelou et al.
D773,047 S 11/2016 Goncalves et al.
9,636,226 B2 5/2017 Hunt
9,662,157 B2 5/2017 Schneider et al.
9,681,966 B2 6/2017 Knapp et al.
9,700,431 B2 6/2017 Nebosky et al.
9,724,203 B2 8/2017 Nebosky et al.
D809,661 S 2/2018 Mueller
D815,281 S 4/2018 Chang et al.
10,271,958 B2 4/2019 Schaufler et al.
10,369,009 B2 * 8/2019 Joly A61F 2/4465
D870,288 S 12/2019 Dang
10,512,545 B2 12/2019 Arnone
10,517,739 B2 12/2019 Ryan
10,709,570 B2 7/2020 Stauffer et al.
10,744,003 B2 * 8/2020 Ryan A61F 2/4465
D920,515 S * 5/2021 Miller D24/155
D920,516 S * 5/2021 Miller D24/155

(Continued)

Primary Examiner — Charles D Hanson

(74) *Attorney, Agent, or Firm* — Ulmer & Berne LLP;
Brian E Turung

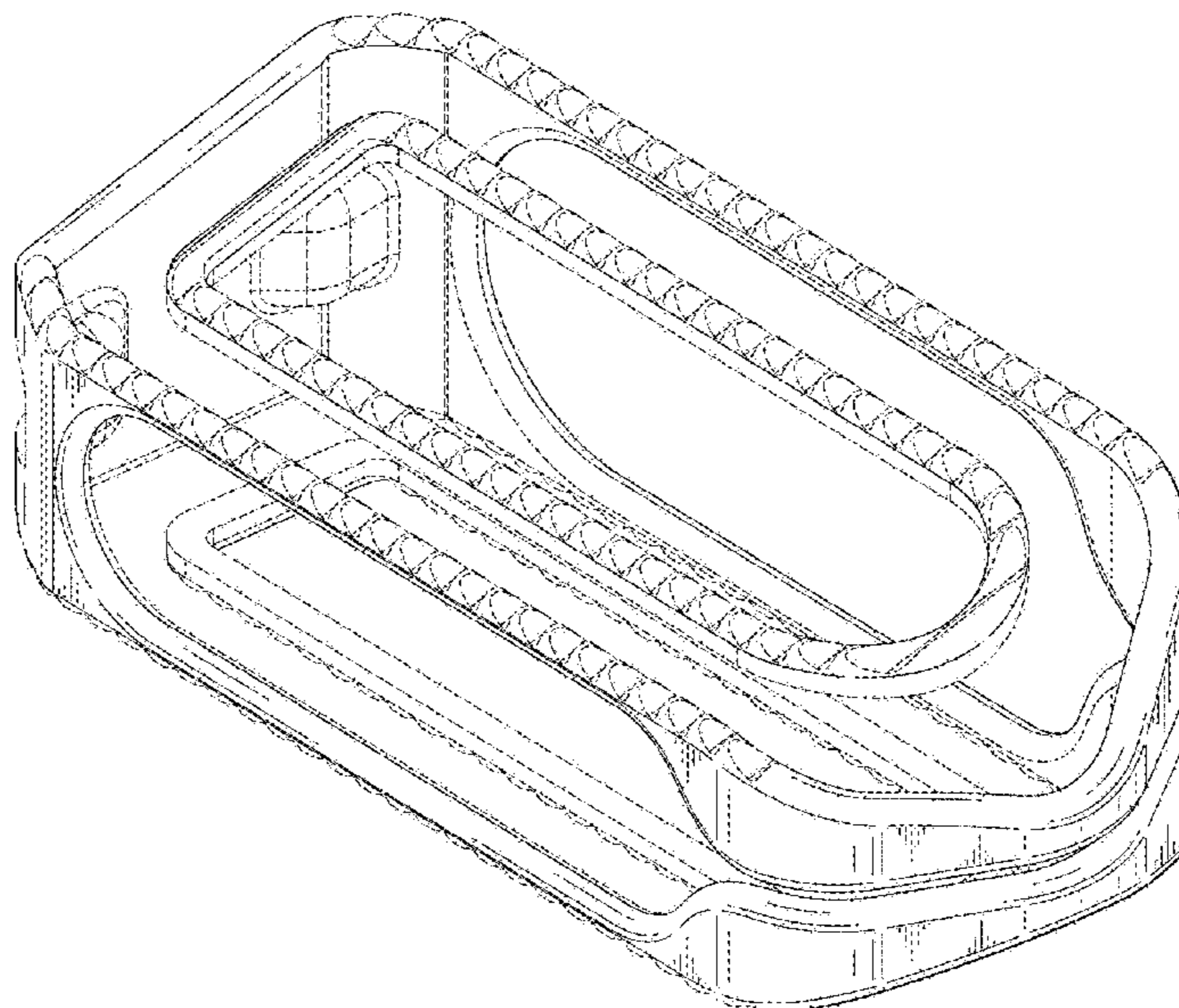
(57) **CLAIM**

The ornamental design for a medical device, as shown and described in FIGS. 1-7.

DESCRIPTION

FIG. 1 is a front perspective view of the medical device;
FIG. 2 is a front elevation view of the medical device of FIG. 1;
FIG. 3 is a rear elevation view of the medical device of FIG. 1;
FIG. 4 is a right side view of the medical device of FIG. 1;
FIG. 5 is a left side view of the medical device of FIG. 1;
FIG. 6 is a top plan view of the medical device of FIG. 1;
and,
FIG. 7 is a bottom plan view of the medical device of FIG. 1.

1 Claim, 6 Drawing Sheets



(56)

References Cited

U.S. PATENT DOCUMENTS

D920,517 S * 5/2021 Miller D24/155
11,147,679 B2 * 10/2021 Kowalczyk A61F 2/2846
D942,011 S * 1/2022 Cain D24/155
D942,623 S * 2/2022 Cain D24/155
D942,624 S * 2/2022 Cain D24/155
D944,400 S * 2/2022 Cain D24/155
2009/0048675 A1 2/2009 Bhatnagar et al.
2012/0197413 A1 8/2012 Kyomoto et al.
2012/0303128 A1 11/2012 Ulrich et al.
2012/0321878 A1 12/2012 Landon et al.
2015/0094813 A1 * 4/2015 Lechmann A61F 2/442
623/17.15
2016/0270920 A1 * 9/2016 Dawson A61L 27/225
2016/0324656 A1 11/2016 Morris et al.
2016/0374829 A1 * 12/2016 Vogt A44B 18/0065
623/17.16
2017/0020685 A1 * 1/2017 Geisler A61F 2/30965
2017/0156880 A1 6/2017 Halverson et al.
2018/0110624 A1 * 4/2018 Arnone A61F 2/30907
2018/0243097 A1 8/2018 Jones et al.
2018/0256336 A1 * 9/2018 Mueller B33Y 70/00
2018/0296363 A1 10/2018 Berry
2018/0338838 A1 * 11/2018 Cryder A61F 2/30771
2019/0076258 A1 * 3/2019 Black A61F 2/30942
2019/0083270 A1 3/2019 Milz et al.
2019/0133783 A1 5/2019 Unger et al.

* cited by examiner

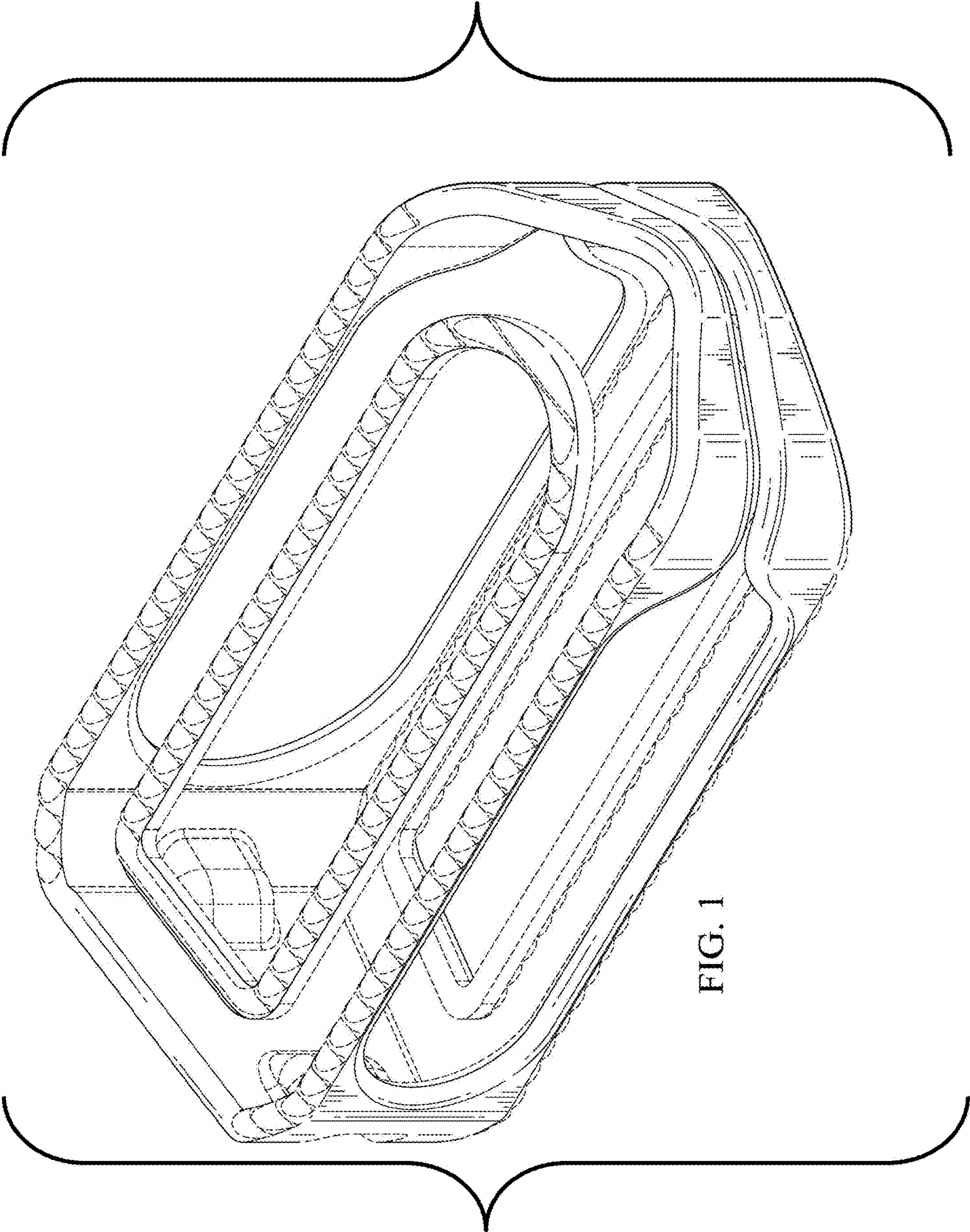


FIG. 1

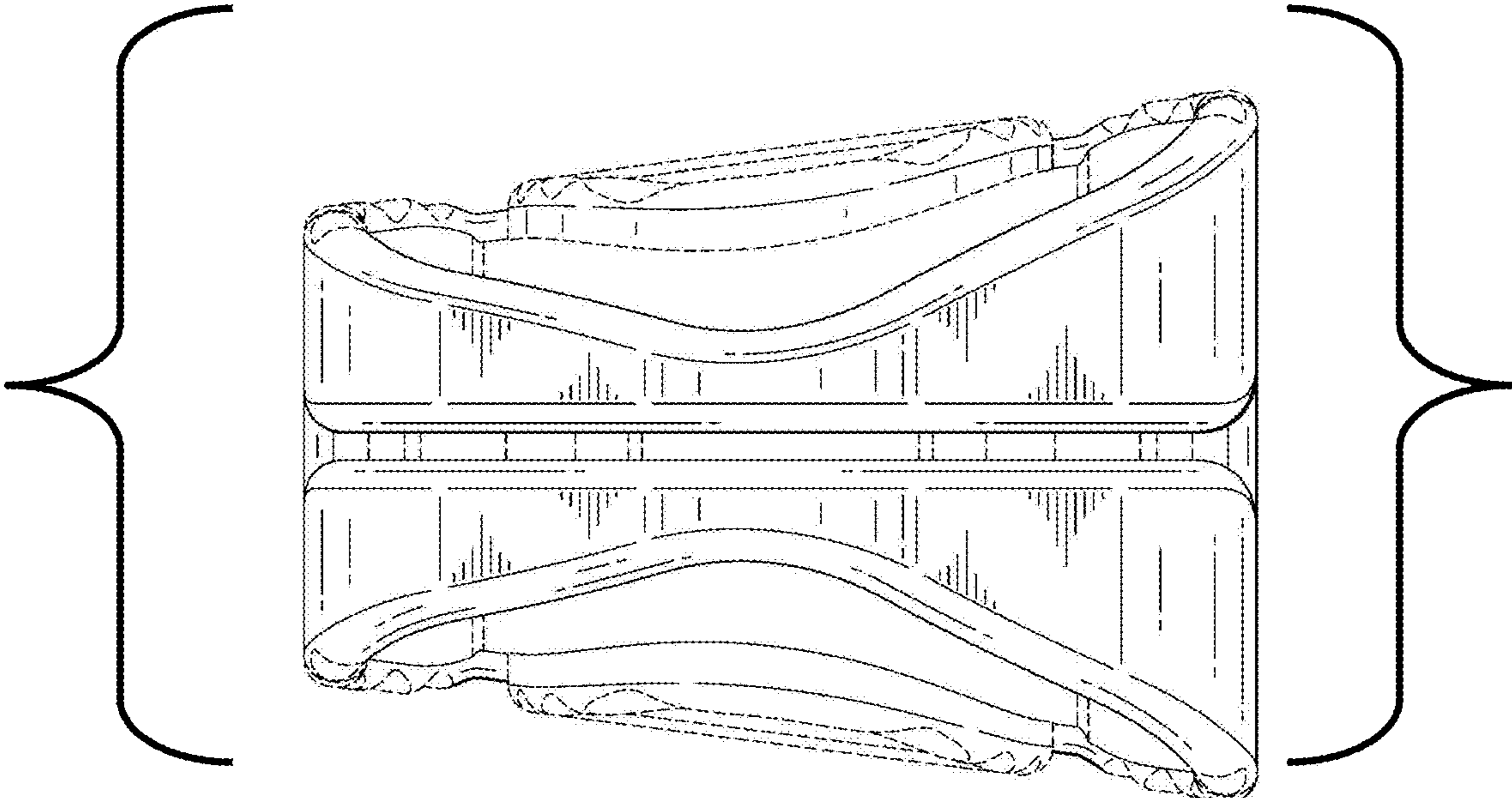


FIG. 2

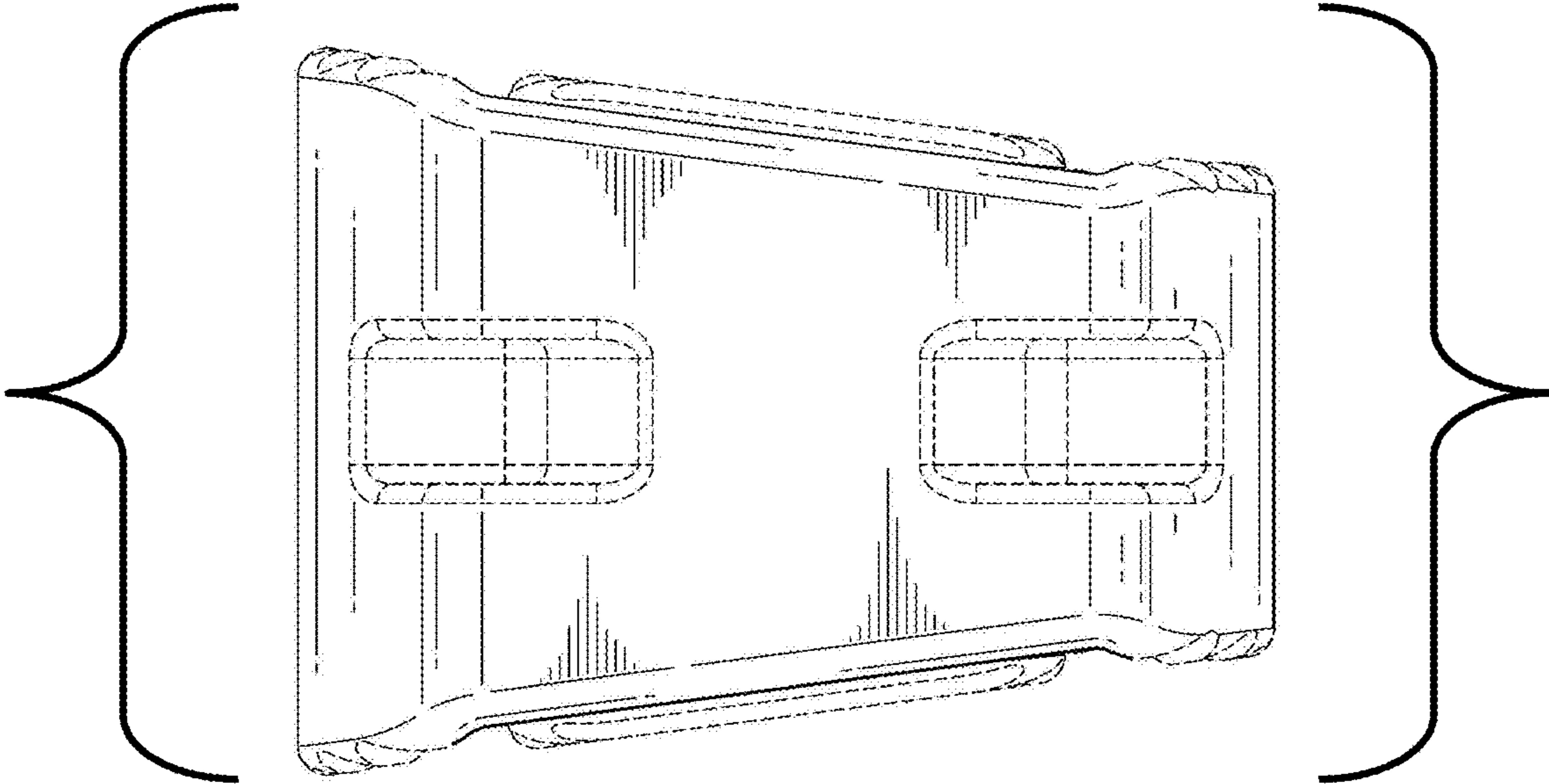


FIG. 3

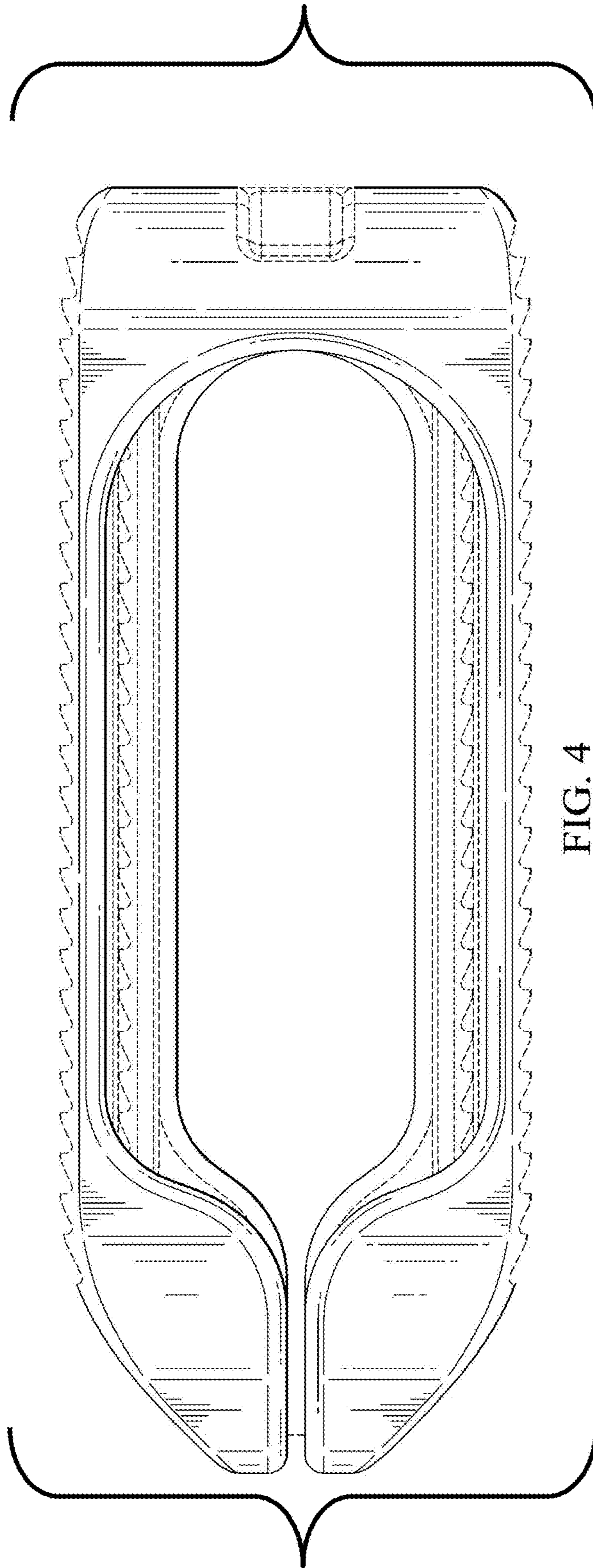


FIG. 4

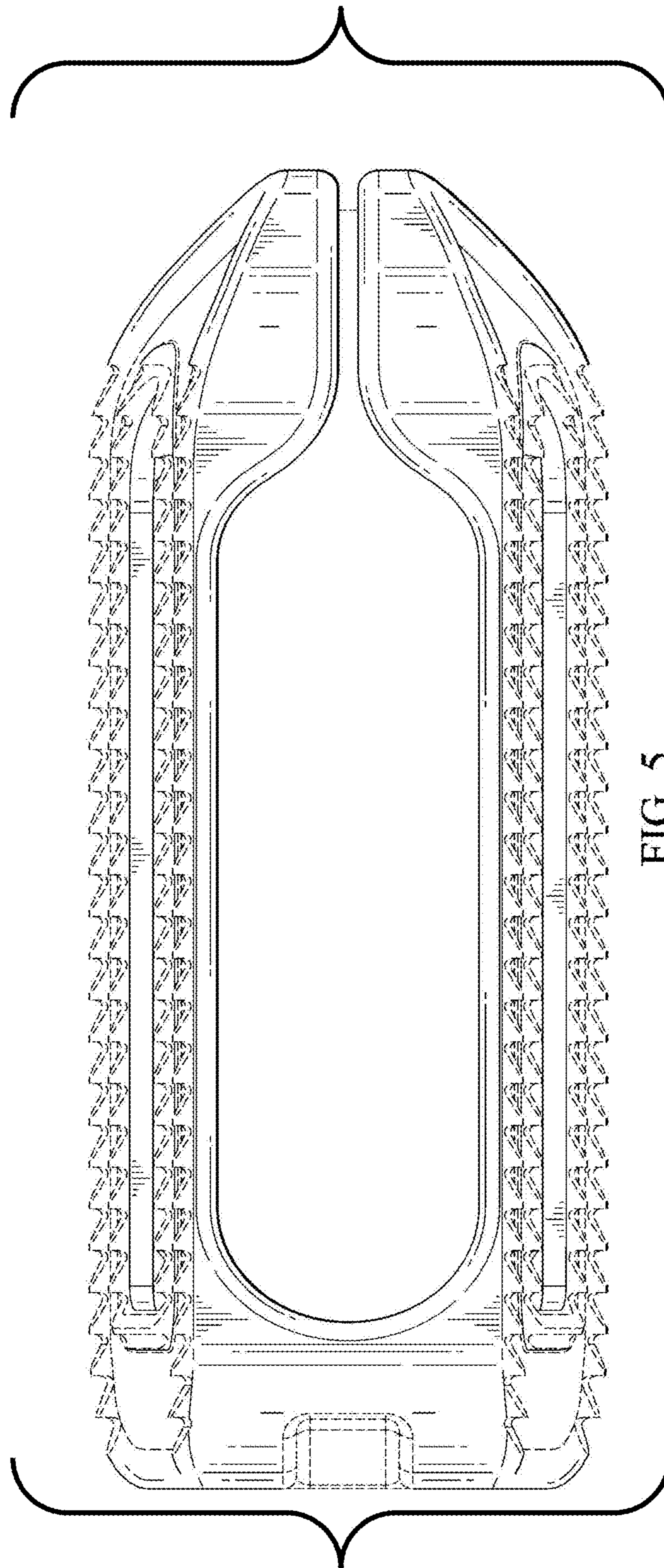


FIG. 5

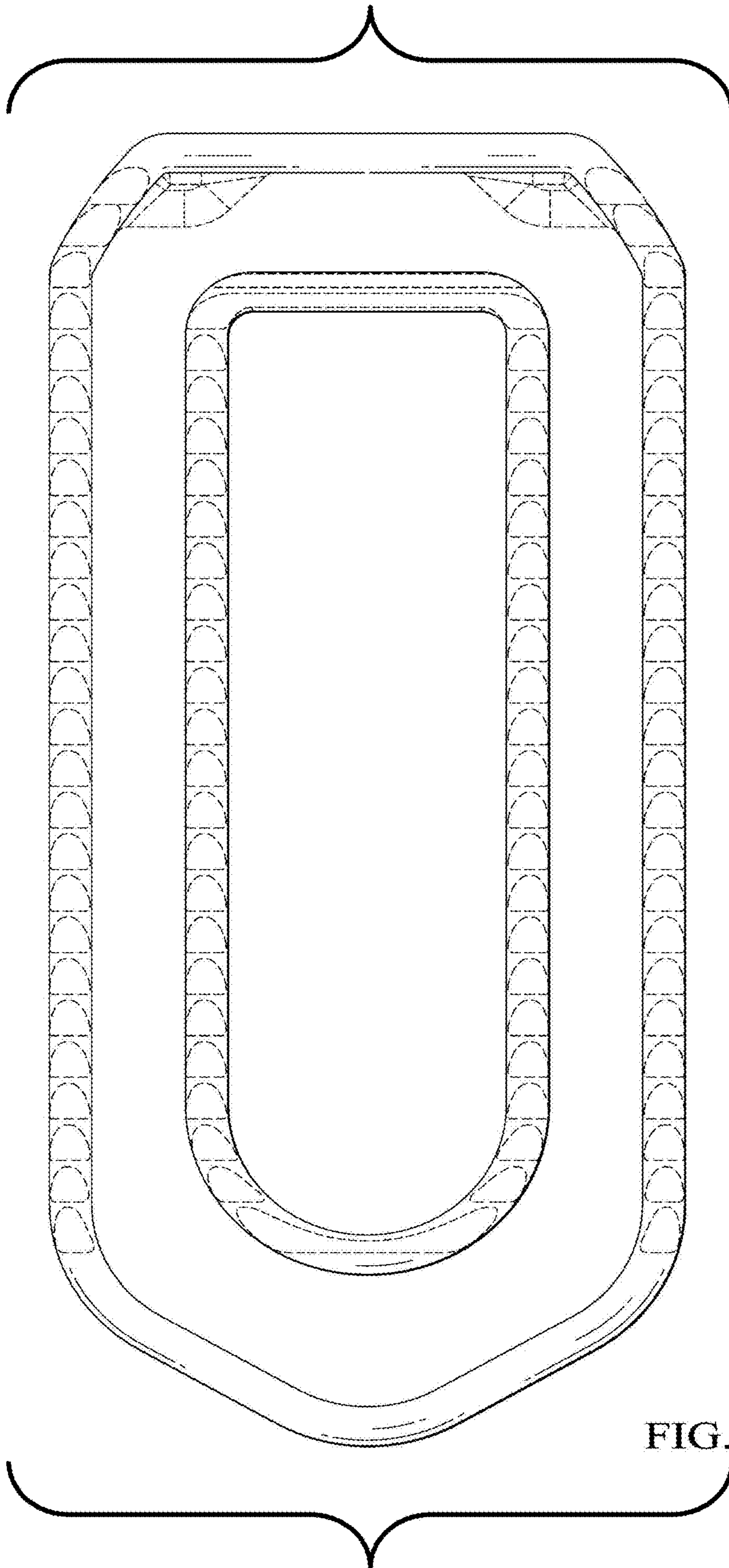


FIG. 6

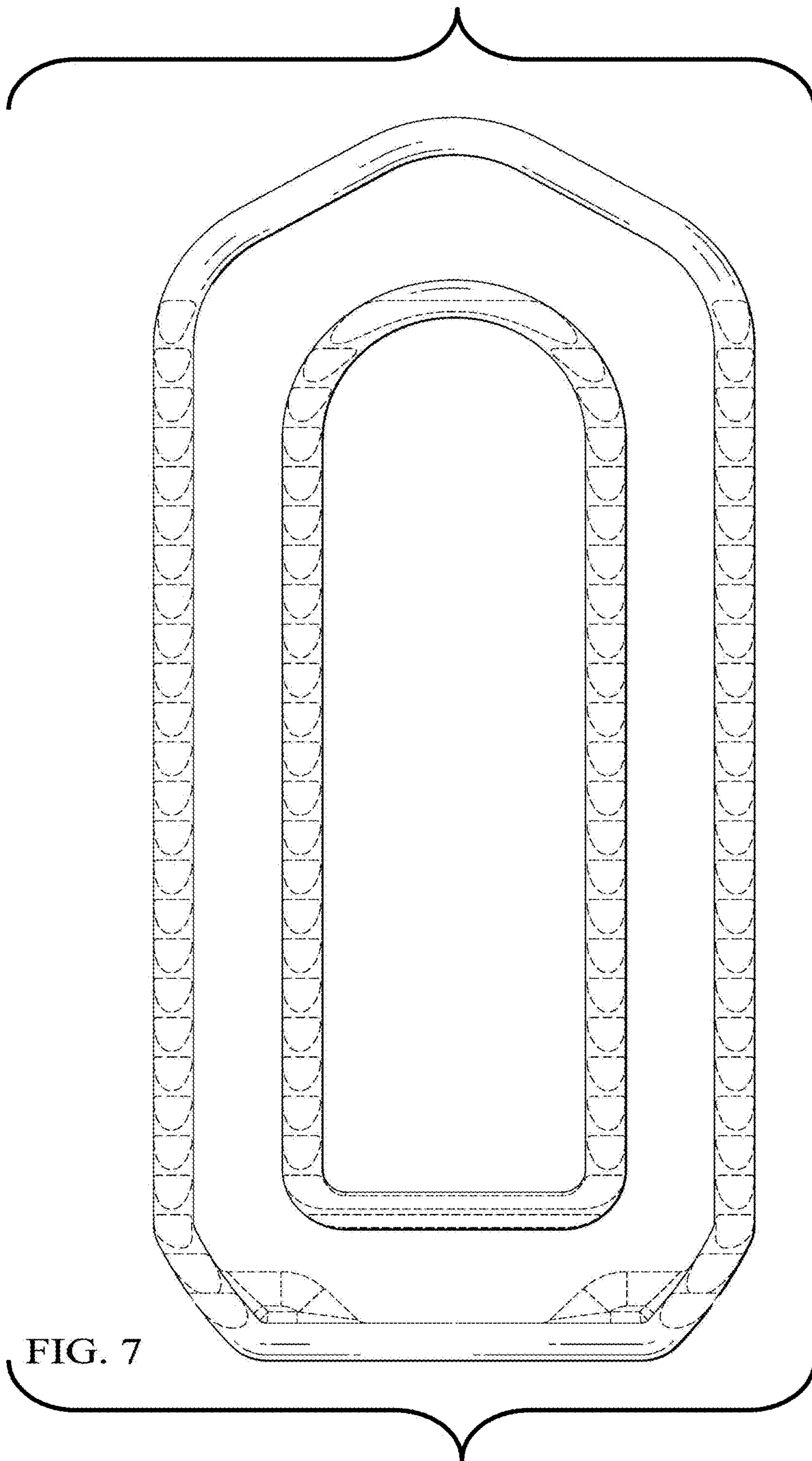


FIG. 7