



US00D968613S

(12) **United States Design Patent** (10) **Patent No.:** **US D968,613 S**
Trudeau et al. (45) **Date of Patent:** **** Nov. 1, 2022**

(54) **INTERVERTEBRAL IMPLANT**

FOREIGN PATENT DOCUMENTS

(71) Applicant: **Pioneer Surgical Technology, Inc.**,
Marquette, MI (US)

AU 2006200017 2/2006
CA 1146301 A 5/1983

(Continued)

(72) Inventors: **Jeffrey L. Trudeau**, Marquette, MI (US); **Michael D. Kakuk**, Skandia, MI (US); **Stephen John Horvath**, Leander, TX (US); **Katie S. Barron**, Ishpeming, MI (US); **Michael Sibley Carter**, Austin, TX (US); **Brent E. Skaw**, Marquette, MI (US)

OTHER PUBLICATIONS

US 6,117,172 A, 09/2000, Ripamonti (withdrawn)

(Continued)

Primary Examiner — Charles D Hanson

(74) *Attorney, Agent, or Firm* — Fitch, Even, Tabin & Flannery LLP

(73) Assignee: **Pioneer Surgical Technology, Inc.**,
Marquette, MI (US)

(57) **CLAIM**

(**) Term: **15 Years**

We claim the ornamental design for an intervertebral implant, as shown and described.

(21) Appl. No.: **29/761,831**

DESCRIPTION

(22) Filed: **Dec. 11, 2020**

Related U.S. Application Data

(62) Division of application No. 29/621,557, filed on Oct. 9, 2017, now Pat. No. Des. 907,771.

(51) **LOC (13) Cl.** **24-03**

(52) **U.S. Cl.**
USPC **D24/155**

(58) **Field of Classification Search**
USPC D24/155

CPC A61F 2/4611; A61F 2/442; A61F 2/447;
A61F 2220/0025; A61F 2002/4475; A61F
2002/30841; A61F 2002/2835; A61F

(Continued)

FIG. 1 is a front perspective view of an intervertebral implant according to a first embodiment of our design;

FIG. 2 is a right side elevation view of the intervertebral implant of FIG. 1, the left side elevation view being a mirror image thereof;

FIG. 3 is a front elevation view of the intervertebral implant of FIG. 1;

FIG. 4 is a rear elevation view of the intervertebral implant of FIG. 1;

FIG. 5 is a top plan view of the intervertebral implant of FIG. 1, the bottom plan view being identical thereto; and,

FIG. 6 is a cross-sectional view taken across line 6-6 in FIG. 5, the cross-sectional view taken across line 6-6 in a direction opposite to the direction taken in FIG. 6 being a mirror image of FIG. 6.

The broken lines depict unclaimed portions of the intervertebral implant and form no part of the claimed design. The dot-dashed broken lines represent an unclaimed boundary that forms no part of the claimed design. The stippling represents a rough surface texture.

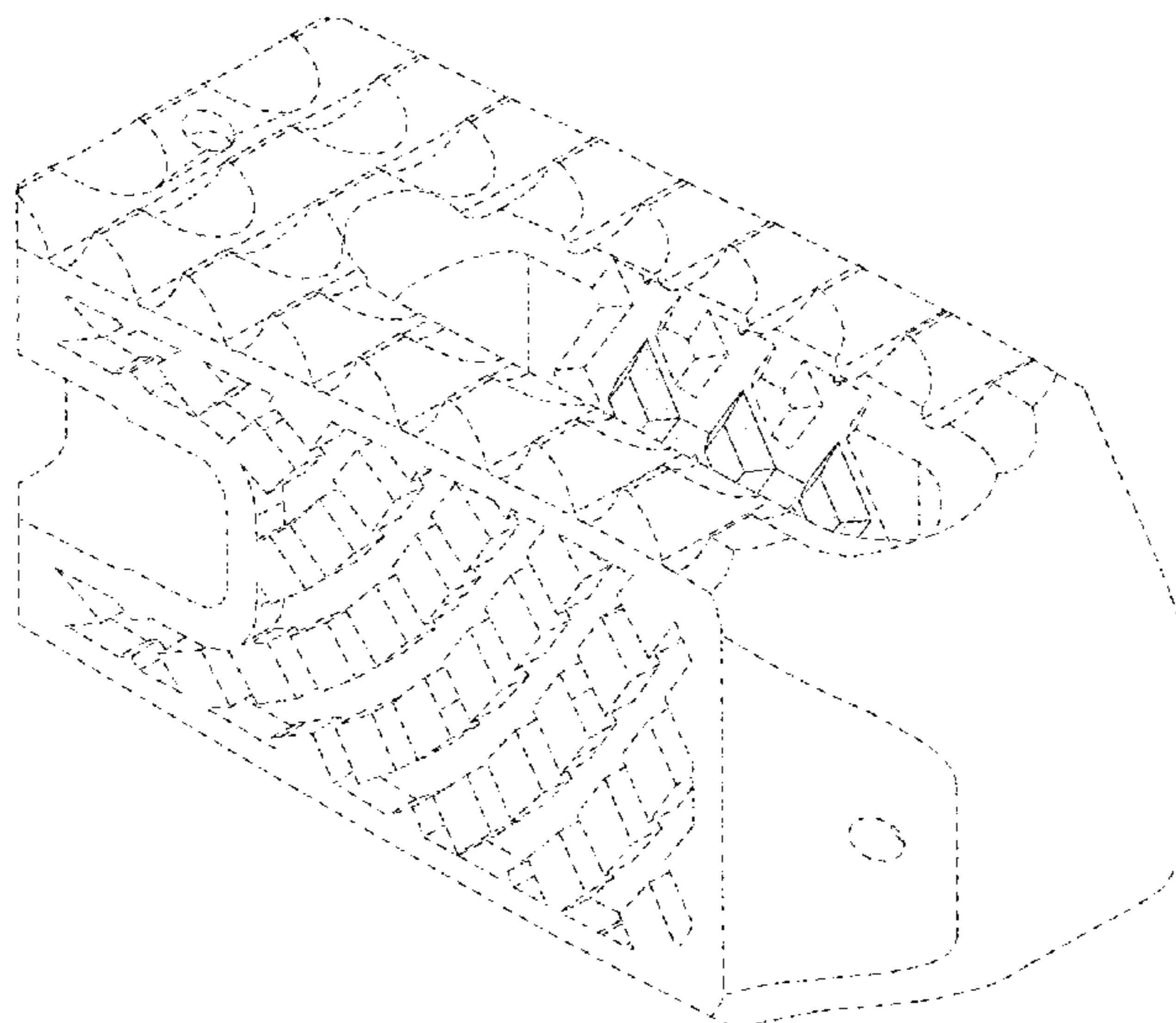
(56) **References Cited**

U.S. PATENT DOCUMENTS

1,168,770 A 1/1916 Wagner
1,816,446 A 7/1931 Stapf

(Continued)

1 Claim, 5 Drawing Sheets



(58) **Field of Classification Search**
 CPC 2002/30904; A61F 2002/30785; A61F
 2002/443; A61F 2002/30578
 See application file for complete search history.

(56) **References Cited**
 U.S. PATENT DOCUMENTS

3,196,463 A	7/1965	Farneth	5,258,031 A	11/1993	Salib
3,413,741 A	12/1968	Fagan et al.	5,258,043 A	11/1993	Stone
3,648,691 A	3/1972	Lumb	5,269,809 A	12/1993	Hayhurst
3,707,107 A	12/1972	Bieri	5,271,385 A	12/1993	Bailey
3,739,684 A	6/1973	Vitkevich	5,273,742 A	12/1993	Gould
3,867,728 A	2/1975	Stubstad et al.	5,275,600 A	1/1994	Allard
3,875,595 A	4/1975	Froning et al.	5,300,073 A	4/1994	Ray et al.
3,969,773 A	7/1976	Menschik	5,306,307 A	4/1994	Senter
3,975,778 A	8/1976	Newton, III	5,306,308 A	4/1994	Gross
4,021,382 A	5/1977	Stoy	5,306,309 A	4/1994	Wagner
4,081,402 A	3/1978	Levy	5,314,477 A	5/1994	Marnay
4,147,764 A	4/1979	Levy	5,320,625 A	6/1994	Bertin
4,309,777 A	1/1982	Patil	5,320,644 A	6/1994	Baumgartner
4,349,921 A	9/1982	Kuntz	5,322,675 A	6/1994	Hakamatsuka
4,374,523 A	2/1983	Yoon	5,334,205 A	8/1994	Cain
4,401,112 A	8/1983	Rezaian	5,370,697 A	12/1994	Baumgartner
4,454,612 A	6/1984	McDaniel	5,401,269 A	3/1995	Buttner-Janz
4,566,466 A	1/1986	Ripple	5,425,772 A	6/1995	Brantigan
4,569,338 A	2/1986	Edwards	5,425,773 A	6/1995	Boyd
4,629,464 A	12/1986	Takata	5,443,512 A	8/1995	Parr
4,636,217 A	1/1987	Ogilvie	5,443,514 A	8/1995	Steffee
4,650,490 A	3/1987	Figgie, III	5,458,642 A	10/1995	Beer et al.
4,657,550 A	4/1987	Daher	5,458,643 A	10/1995	Oka
4,696,290 A	9/1987	Steffee	5,462,362 A	10/1995	Yuhta
4,714,469 A	12/1987	Kenna	5,474,558 A	12/1995	Neubardt
4,717,556 A	1/1988	Kawamura	5,480,449 A	1/1996	Hamilton
4,728,561 A	3/1988	Crocker	5,496,318 A	3/1996	Howland
4,759,766 A	7/1988	Buettner-Janz	5,507,816 A	4/1996	Bullivant
4,759,769 A	7/1988	Hedman	5,514,180 A	5/1996	Heggeness
4,798,585 A	1/1989	Inoue	5,519,982 A	5/1996	Herber
4,799,372 A	1/1989	Marcon	5,522,894 A	6/1996	Draenert
4,800,874 A	1/1989	David	5,522,899 A	6/1996	Michelson
4,834,757 A	5/1989	Brantigan	5,525,363 A	6/1996	Herber
4,863,476 A	9/1989	Shepperd	5,531,794 A	7/1996	Takagi
4,863,477 A	9/1989	Monson	5,534,028 A	7/1996	Bao
4,865,603 A	9/1989	Noiles	5,542,949 A	8/1996	Yoon
4,878,914 A	11/1989	Miwa	5,549,679 A	8/1996	Kuslich
4,878,915 A	11/1989	Brantigan	5,556,431 A	9/1996	Buttner-Janz
4,899,761 A	2/1990	Brown	5,556,433 A	9/1996	Gabriel
4,917,704 A	4/1990	Frey	5,562,736 A	10/1996	Ray
4,932,969 A	6/1990	Frey	5,562,738 A	10/1996	Boyd
4,932,975 A	6/1990	Main	5,569,442 A	10/1996	Fulmer
4,936,848 A	6/1990	Bagby	5,571,189 A	11/1996	Kuslich
4,946,378 A	8/1990	Hirayama	5,571,493 A	11/1996	Fulmer
4,997,432 A	3/1991	Keller	5,593,409 A	1/1997	Michelson
5,002,576 A	3/1991	Fuhrmann	5,595,563 A	1/1997	Moisdon
5,011,495 A	4/1991	Hollinger	5,597,379 A	1/1997	Haines
5,034,011 A	7/1991	Howland	5,609,635 A	3/1997	Michelson
5,035,716 A	7/1991	Downey	5,609,636 A	3/1997	Kohrs
5,047,055 A	9/1991	Bao	5,609,643 A	3/1997	Colleran
5,059,193 A	10/1991	Kuslich	5,614,205 A	3/1997	Usala
5,071,437 A	12/1991	Steffee	5,643,264 A	7/1997	Sherman et al.
5,084,057 A	1/1992	Green	5,645,596 A	7/1997	Kim
5,108,399 A	4/1992	Eitenmuller	5,645,597 A	7/1997	Krapiva
5,108,438 A	4/1992	Stone	5,645,598 A	7/1997	Brosnahan, III
5,123,926 A	6/1992	Pisharodi	5,645,599 A	7/1997	Samani
5,127,920 A	7/1992	MacArthur	5,653,762 A	8/1997	Pisharodi
5,133,759 A	7/1992	Turner	5,658,332 A	8/1997	Ducheyne
5,133,772 A	7/1992	Hack	5,658,336 A	8/1997	Pisharodi
5,137,534 A	8/1992	Sumita	5,658,337 A	8/1997	Kohrs
5,147,404 A	9/1992	Downey	5,665,122 A	9/1997	Kambin
5,152,791 A	10/1992	Hakamatsuka	5,669,909 A	9/1997	Zdeblick
5,171,278 A	12/1992	Pisharodi	5,674,295 A	10/1997	Ray
5,171,281 A	12/1992	Parsons	5,674,296 A	10/1997	Bryan
5,171,327 A	12/1992	Koch	5,676,701 A	10/1997	Yuan
5,176,710 A	1/1993	Hahn	5,676,702 A	10/1997	Ratron
5,185,177 A	2/1993	Kijima	5,676,976 A	10/1997	Lee
5,192,326 A	3/1993	Bao	5,681,316 A	10/1997	Deorio
5,213,112 A	5/1993	Niwa	5,681,872 A	10/1997	Erbe
			5,683,465 A	11/1997	Shinn
			5,683,667 A	11/1997	Fulmer
			5,693,100 A	12/1997	Pisharodi
			5,702,450 A	12/1997	Bisserie
			5,702,451 A	12/1997	Biedermann
			5,713,899 A	2/1998	Marnay
			5,713,904 A	2/1998	Errico et al.
			5,716,415 A	2/1998	Steffee
			5,716,416 A	2/1998	Lin
			5,728,762 A	3/1998	Reich

(56)

References Cited

U.S. PATENT DOCUMENTS

5,755,797 A	5/1998	Baumgartner	6,127,597 A	10/2000	Beyar
5,755,798 A	5/1998	Papavero	6,132,465 A	10/2000	Ray
5,766,252 A	6/1998	Henry	6,136,031 A	10/2000	Middleton
5,772,661 A	6/1998	Michelson	6,139,548 A	10/2000	Errico
5,776,198 A	7/1998	Rabbe	6,139,579 A	10/2000	Steffee
5,776,199 A	7/1998	Michelson	6,143,031 A	11/2000	Knothe
5,782,832 A	7/1998	Larsen	6,143,033 A	11/2000	Paul
5,782,971 A	7/1998	Constantz	6,146,421 A	11/2000	Gordon
5,783,217 A	7/1998	Lee	6,146,422 A	11/2000	Lawson
5,797,909 A	8/1998	Michelson	6,149,652 A	11/2000	Zucherman
5,797,963 A	8/1998	McDevitt	6,149,688 A	11/2000	Brosnahan
5,800,547 A	9/1998	Schaefer	6,152,926 A	11/2000	Zucherman
5,820,632 A	10/1998	Constantz	RE37,005 E	12/2000	Michelson
5,824,093 A	10/1998	Ray	6,156,038 A	12/2000	Zucherman
5,824,094 A	10/1998	Serhan	6,156,067 A	12/2000	Bryan
5,824,331 A	10/1998	Usala	6,162,252 A	12/2000	Kuras
5,836,948 A	11/1998	Zucherman	6,179,874 B1	1/2001	Cauthen
5,860,973 A	1/1999	Michelson	6,183,471 B1	2/2001	Zucherman
5,860,977 A	1/1999	Zucherman	6,183,518 B1	2/2001	Ross
5,860,980 A	1/1999	Axelson, Jr.	6,187,046 B1	2/2001	Yamamoto
5,865,845 A	2/1999	Thalgott	6,187,048 B1	2/2001	Milner
5,865,846 A	2/1999	Bryan	6,190,387 B1	2/2001	Zucherman
5,876,404 A	3/1999	Zucherman	6,190,414 B1	2/2001	Young
5,885,299 A	3/1999	Winslow	6,193,756 B1	2/2001	Studer
5,888,223 A	3/1999	Bray, Jr.	6,193,757 B1	2/2001	Foley et al.
5,888,224 A	3/1999	Beckers	6,206,924 B1	3/2001	Timm
5,888,226 A	3/1999	Rogozinski	6,207,218 B1	3/2001	Layrolle
5,893,889 A	4/1999	Harrington	6,210,422 B1	4/2001	Douglas
5,893,890 A	4/1999	Pisharodi	6,210,442 B1	4/2001	Wing
5,895,428 A	4/1999	Berry	6,214,368 B1	4/2001	Lee
5,888,227 A	5/1999	Cottle	6,224,607 B1	5/2001	Michelson
5,899,941 A	5/1999	Nishijima	6,224,630 B1	5/2001	Bao
5,914,356 A	6/1999	Erbe	6,231,881 B1	5/2001	Usala
5,919,235 A	7/1999	Husson	6,235,030 B1	5/2001	Zucherman
5,922,339 A	7/1999	Usala	6,238,397 B1	5/2001	Zucherman
5,931,777 A	8/1999	Sava	6,240,926 B1	6/2001	ChinGan
5,939,039 A	8/1999	Sapieszko	6,245,108 B1	6/2001	Biscup
5,964,807 A	10/1999	Gan	6,251,140 B1	6/2001	Marino
5,969,020 A	10/1999	Shalaby	6,261,587 B1	7/2001	Usala
5,972,031 A	10/1999	Biedermann	6,264,695 B1	7/2001	Stoy
5,976,186 A	11/1999	Bao	6,270,498 B1	8/2001	Michelson
5,980,572 A	11/1999	Kim	6,270,977 B1	8/2001	Klann
5,984,967 A	11/1999	Zdeblick	6,277,149 B1	8/2001	Boyle
5,989,289 A	11/1999	Coates	6,280,444 B1	8/2001	Zucherman
6,001,130 A	12/1999	Bryan	6,280,475 B1	8/2001	Bao
6,004,326 A	12/1999	Castro	6,280,478 B1	8/2001	Richter
6,013,591 A	1/2000	Ying	6,283,968 B1	9/2001	Mehdizadeh
6,019,793 A	2/2000	Perren	6,283,998 B1	9/2001	Eaton
6,022,376 A	2/2000	Assell	6,287,341 B1	9/2001	Lee
6,022,377 A	2/2000	Nuelle	6,290,724 B1	9/2001	Marino
6,025,538 A	2/2000	Yaccarino, III	6,296,665 B1	10/2001	Strnad
6,027,742 A	2/2000	Lee	6,302,913 B1	10/2001	Ripamonti
6,037,519 A	3/2000	McKay	6,309,400 B2	10/2001	Beaupre
6,039,761 A	3/2000	Li et al.	6,312,472 B1	11/2001	Hall
6,039,762 A	3/2000	McKay	6,315,795 B1	11/2001	Scarborough
6,039,763 A	3/2000	Shelokov	6,315,797 B1	11/2001	Middleton
6,042,582 A	4/2000	Ray	6,315,994 B2	11/2001	Usala
6,048,342 A	4/2000	Zucherman	6,332,882 B1	12/2001	Zucherman
6,053,916 A	4/2000	Moore	6,332,883 B1	12/2001	Zucherman
6,063,088 A	5/2000	Winslow	6,344,061 B1	2/2002	Leitao
6,066,175 A	5/2000	Henderson	6,346,123 B1	2/2002	McKay
6,068,630 A	5/2000	Zucherman	6,348,071 B1	2/2002	Steffee
6,068,974 A	5/2000	Klann	6,350,462 B1	2/2002	Hakamatsuka
RE36,758 E	6/2000	Fitz	6,352,557 B1	3/2002	Ferree
6,074,390 A	6/2000	Zucherman	6,352,707 B1	3/2002	Usala
6,080,155 A	6/2000	Michelson	6,364,883 B1	4/2002	Santilli
6,080,158 A	6/2000	Lin	6,368,350 B1	4/2002	Erickson
6,090,112 A	7/2000	Zucherman	6,371,987 B1	4/2002	Weiland et al.
6,093,205 A	7/2000	McLeod	6,371,990 B1	4/2002	Ferree
6,093,207 A	7/2000	Pisharodi	6,375,682 B1	4/2002	Fleischmann
6,096,038 A	8/2000	Michelson	6,379,355 B1	4/2002	Zucherman
6,096,039 A	8/2000	Stoltenberg	6,395,031 B1	5/2002	Foley
6,110,210 A	8/2000	Norton	6,395,032 B1	5/2002	Gauchet
6,113,639 A	9/2000	Ray	6,402,784 B1	6/2002	Wardlaw
6,117,456 A	9/2000	Lee	6,402,785 B1	6/2002	Zdeblick
			6,419,676 B1	7/2002	Zucherman
			6,419,677 B2	7/2002	Zucherman
			6,419,704 B1	7/2002	Ferree
			6,428,544 B1	8/2002	Ralph

(56)

References Cited

U.S. PATENT DOCUMENTS

6,428,575	B2	8/2002	Koo	6,719,794	B2	4/2004	Gerber
6,428,579	B1	8/2002	Valentini	6,730,315	B2	5/2004	Usala
6,432,106	B1	8/2002	Fraser	6,733,531	B1	5/2004	Trieu
6,432,107	B1	8/2002	Ferree	6,733,535	B2	5/2004	Michelson
6,432,140	B1	8/2002	Lin	6,736,817	B2	5/2004	Troxell
6,436,098	B1	8/2002	Michelson	6,743,257	B2	6/2004	Castro
6,436,101	B1	8/2002	Hamada	6,746,484	B1	6/2004	Liu
6,436,102	B1	8/2002	Ralph	6,758,849	B1	7/2004	Michelson
6,436,140	B1	8/2002	Liu	6,758,862	B2	7/2004	Berry
6,436,141	B2	8/2002	Castro	6,767,367	B1	7/2004	Michelson
6,436,142	B1	8/2002	Paes	6,770,074	B2	8/2004	Michelson
6,436,146	B1	8/2002	Hassler	6,770,095	B2	8/2004	Grinberg
6,440,168	B1	8/2002	Cauthen	6,770,096	B2	8/2004	Bolger et al.
6,440,170	B1	8/2002	Jackson	6,776,860	B2	8/2004	Arai
6,441,073	B1	8/2002	Tanaka	6,783,550	B2	8/2004	MacArthur
6,451,019	B1	9/2002	Zucherman	6,790,455	B2	9/2004	Chu
6,451,020	B1	9/2002	Zucherman	6,793,678	B2	9/2004	Hawkins
6,454,806	B1	9/2002	Cohen	6,796,983	B1	9/2004	Zucherman
6,458,159	B1	10/2002	Thalgott	6,824,565	B2	11/2004	Muhanna
6,458,162	B1	10/2002	Koblish	6,827,740	B1	12/2004	Michelson
6,478,796	B2	11/2002	Zucherman	6,830,570	B1	12/2004	Frey
6,478,801	B1	11/2002	Ralph	6,833,006	B2	12/2004	Foley
6,478,822	B1	11/2002	Leroux	6,835,206	B2	12/2004	Jackson
6,478,823	B1	11/2002	Michelson	6,840,961	B2	1/2005	Tofighi
6,482,233	B1	11/2002	Aebi	6,841,255	B2	1/2005	Deppisch
6,488,716	B1	12/2002	Huang	6,843,805	B2	1/2005	Webb
6,500,132	B1	12/2002	Li	6,846,327	B2	1/2005	Khandkar
6,500,178	B2	12/2002	Zucherman	6,858,041	B2	2/2005	Richter
6,500,549	B1	12/2002	Deppisch	6,863,689	B2	3/2005	Ralph
6,503,279	B1	1/2003	Webb	6,872,208	B1	3/2005	McBride
6,508,839	B1	1/2003	Lambrecht	6,887,272	B2	5/2005	Shinomiya
6,514,256	B2	2/2003	Zucherman	6,890,355	B2	5/2005	Michelson
6,517,580	B1	2/2003	Ramadan	6,893,464	B2	5/2005	Kiester
6,520,993	B2	2/2003	James	6,899,716	B2	5/2005	Cragg
6,524,341	B2	2/2003	Laeng	6,905,512	B2	6/2005	Paes et al.
6,527,803	B1	3/2003	Crozet	6,923,810	B1	8/2005	Michelson
6,527,804	B1	3/2003	Gauchet	6,923,830	B2	8/2005	Michelson
6,527,810	B2	3/2003	Johnson	6,926,737	B2	8/2005	Jackson
6,530,955	B2	3/2003	Boyle	6,936,071	B1	8/2005	Marnay
6,533,786	B1	3/2003	Needham	6,942,670	B2	9/2005	Heldreth
6,533,799	B1	3/2003	Bouchier	6,942,698	B1	9/2005	Jackson
6,537,320	B1	3/2003	Michelson	6,949,251	B2	9/2005	Dalal
6,540,785	B1	4/2003	Gill	6,951,561	B2	10/2005	Warren et al.
6,547,823	B2	4/2003	Scarborough	6,964,687	B1	11/2005	Bernard
6,562,047	B2	5/2003	Ralph	6,966,931	B2	11/2005	Huang
6,565,566	B1	5/2003	Wagner et al.	6,974,479	B2	12/2005	Trieu
6,569,396	B1	5/2003	Yanagi	6,974,480	B2	12/2005	Messerli
6,575,975	B2	6/2003	Brace	6,979,353	B2	12/2005	Bresina
6,579,318	B2	6/2003	Varga	6,981,975	B2	1/2006	Michelson
6,579,320	B1	6/2003	Gauchet	6,984,246	B2	1/2006	Huang
6,579,321	B1	6/2003	Gordon	6,986,789	B2	1/2006	Schultz
6,582,453	B1	6/2003	Tran	6,987,136	B2	1/2006	Erbe
6,582,466	B1	6/2003	Gauchet	6,991,653	B2	1/2006	White
6,592,624	B1	7/2003	Fraser	6,991,654	B2	1/2006	Foley
6,602,291	B1	8/2003	Ray	7,001,433	B2	2/2006	Songer
6,607,559	B2	8/2003	Ralph	7,018,416	B2	3/2006	Hanson
6,610,089	B1	8/2003	Liu	7,033,393	B2	4/2006	Gainor
6,610,091	B1	8/2003	Reiley	7,033,394	B2	4/2006	Michelson
6,610,093	B1	8/2003	Pisharodi	7,041,137	B2	5/2006	Fulton
6,620,091	B1	8/2003	Reiley	7,041,138	B2	5/2006	Lange
6,626,944	B1	9/2003	Taylor	7,044,972	B2	5/2006	Mathys, Jr.
6,635,059	B2	10/2003	Randall et al.	7,056,341	B2	6/2006	Crozet
6,641,614	B1	11/2003	Wagner et al.	7,060,073	B2	6/2006	Frey
6,648,903	B1	11/2003	Pierson	7,063,725	B2	6/2006	Foley
6,652,533	B2	11/2003	Oneil	RE39,196	E	7/2006	Ying
6,669,697	B1	12/2003	Pisharodi	7,074,240	B2	7/2006	Pisharodi
6,669,730	B2	12/2003	Ralph	7,083,749	B2	8/2006	Lin
6,673,113	B2	1/2004	Ralph	7,087,540	B2	8/2006	Heide
6,676,703	B2	1/2004	Biscup	7,101,375	B2	9/2006	Zucherman
6,679,915	B1	1/2004	Cauthen	7,118,598	B2	10/2006	Michelson
6,682,562	B2	1/2004	Viart	7,122,057	B2	10/2006	Beam
6,689,165	B2	2/2004	Jacob	7,125,425	B2	10/2006	Foley
6,699,246	B2	3/2004	Zucherman	7,135,042	B2	11/2006	Stoll
6,699,247	B2	3/2004	Zucherman	7,137,997	B2	11/2006	Paul
6,713,079	B2	3/2004	Usala	7,141,068	B2	11/2006	Ross
				7,156,874	B2	1/2007	Paponneau
				7,156,876	B2	1/2007	Moumene
				7,169,183	B2	1/2007	Liu

(56)

References Cited

U.S. PATENT DOCUMENTS

7,172,627 B2 *	2/2007	Fiere	A61F 2/4611 623/17.11	8,133,232 B2	3/2012	Levy et al.
7,201,751 B2	4/2007	Zucherman		8,137,402 B2	3/2012	Eckman
7,217,293 B2	5/2007	Branch, Jr.		8,142,508 B1	3/2012	Bruffey
7,223,289 B2	5/2007	Trieu		8,157,845 B2	4/2012	Warnick
7,226,480 B2	6/2007	Thalgott		8,163,026 B2	4/2012	Gray
7,230,039 B2	6/2007	Trieu		8,172,905 B2	5/2012	Baynham
7,235,079 B2	6/2007	Jensen		8,187,334 B2	5/2012	Curran
7,238,203 B2	7/2007	Bagga		8,192,356 B2	6/2012	Miles
7,261,505 B2	8/2007	Ernst et al.		8,192,357 B2	6/2012	Miles
7,264,621 B2	9/2007	Coates		8,216,316 B2	7/2012	Kirschman
D553,742 S *	10/2007	Park	D24/155	8,221,479 B2	7/2012	Glazer et al.
D553,743 S *	10/2007	Park	D24/155	8,241,359 B2	8/2012	Davis
D553,744 S *	10/2007	Park	D24/155	8,241,360 B2	8/2012	Bao
D553,745 S *	10/2007	Park	D24/155	8,246,655 B2	8/2012	Jackson
7,303,583 B1	12/2007	Schar		8,246,686 B1	8/2012	Curran
7,318,841 B2	1/2008	Tofighi		8,262,701 B2	9/2012	Rathbun
7,326,251 B2	2/2008	McCombe		8,262,731 B2	9/2012	Songer
7,338,525 B2	3/2008	Ferree		8,262,737 B2	9/2012	Bagga
7,445,634 B2	11/2008	Trieu		8,303,660 B1	11/2012	Abdou
7,445,637 B2	11/2008	Taylor		8,308,767 B2	11/2012	Hochschuler
7,455,692 B2	11/2008	Michelson		8,308,805 B2	11/2012	Lynn
7,479,160 B2	1/2009	Branch		8,343,224 B2	1/2013	Lynn
7,500,978 B2	3/2009	Gorenssek		8,361,156 B2	1/2013	Curran
7,527,803 B2	5/2009	Park		8,372,084 B2	2/2013	Pernsteiner
7,618,458 B2	11/2009	Biedermann		8,388,684 B2	3/2013	Bao
7,622,129 B1	11/2009	Haberstroh		8,409,213 B2	4/2013	Trudeau
7,641,690 B2	1/2010	Abdou		8,409,290 B2	4/2013	Zamani
7,648,509 B2	1/2010	Stark		8,425,529 B2	4/2013	Milz et al.
7,662,182 B2	2/2010	Zubok		8,425,559 B2	4/2013	Tebbe
7,662,186 B2	2/2010	Bagga		8,425,610 B2	4/2013	Guyer
7,682,397 B2	3/2010	Berry		8,444,650 B2	5/2013	Warnick
7,717,958 B2	5/2010	Cragg et al.		8,449,583 B2	5/2013	Krebs et al.
7,763,078 B2	7/2010	Peterman		8,486,147 B2	7/2013	deVilliers
RE41,584 E	8/2010	Ying		8,486,149 B2	7/2013	Saidha
7,776,095 B2	8/2010	Peterman		8,540,769 B2	9/2013	Janowski
7,794,465 B2	9/2010	Marik		8,597,050 B2	12/2013	Flaherty
7,819,920 B2	10/2010	Assaker		8,597,357 B2	12/2013	Trudeau
7,824,427 B2	11/2010	Perez-Cruet		8,597,604 B2	12/2013	Ahn
7,833,246 B2	11/2010	Mitchell		8,603,141 B2	12/2013	Hochschuler
7,833,283 B2	11/2010	Webster		8,603,172 B2	12/2013	Fuji
7,837,732 B2	11/2010	Zucherman		8,609,122 B2	12/2013	Lamberti
7,842,071 B2	11/2010	Hawkes		8,617,247 B2	12/2013	Lechmann
7,846,210 B2	12/2010	Perez-Cruet		8,641,764 B2	2/2014	Gately
7,850,732 B2	12/2010	Heinz		8,663,331 B2	3/2014	McClellan, III
7,850,736 B2	12/2010	Heinz		8,664,202 B2	3/2014	Lamberti
7,857,840 B2	12/2010	Krebs et al.		8,672,976 B2	3/2014	Kilpela
7,875,080 B2	1/2011	Puno		8,685,031 B2	4/2014	Kleiner et al.
7,879,104 B2	2/2011	Dewey		8,690,917 B2	4/2014	Suh et al.
7,883,542 B2	2/2011	Zipnick		8,700,198 B2	4/2014	Conway
7,892,239 B2	2/2011	Warnick		8,709,088 B2	4/2014	Kleiner et al.
7,901,458 B2	3/2011	DeRidder		8,715,350 B2	5/2014	Janowski
7,909,859 B2	3/2011	Mosca		8,734,521 B2	5/2014	Freeman
7,909,871 B2	3/2011	Abdou		8,758,409 B2	6/2014	Hochschuler
7,918,876 B2	4/2011	Mueller		8,858,637 B2	10/2014	Milz
7,918,891 B1	4/2011	Curran		8,870,957 B2	10/2014	Vraney
7,922,765 B2	4/2011	Reiley		8,888,854 B2	11/2014	Glerum et al.
7,938,834 B2	5/2011	Roush		8,906,028 B2	12/2014	Kleiner et al.
7,951,203 B2	5/2011	McCombe		8,940,317 B2	1/2015	Lamberti
7,976,550 B2	7/2011	Trudeau		D723,682 S	3/2015	Kleiner et al.
7,988,708 B2	8/2011	Yeh		9,072,609 B2	7/2015	Varik
7,988,734 B2	8/2011	Peterman		9,132,021 B2	9/2015	Mermuys
8,002,831 B2	8/2011	Burd		9,233,011 B2	1/2016	Trudeau
8,002,837 B2	8/2011	Stream		D750,249 S	2/2016	Grimberg, Jr. et al.
8,012,156 B2	9/2011	Marquez Alvarez		9,358,122 B2	6/2016	Soo
8,012,208 B2	9/2011	Lechmann		9,387,092 B2	7/2016	Mermuys
8,025,678 B2	9/2011	Reynolds		9,408,717 B2	8/2016	Perrow
8,029,755 B2	10/2011	Ahn		9,445,914 B2	9/2016	Milz
8,038,678 B2	10/2011	Schmieding		9,545,269 B2	1/2017	Kilpela
8,043,293 B2	10/2011	Warnick		9,549,822 B2	1/2017	Wimberley
8,062,375 B2	11/2011	Glerum et al.		9,561,961 B2	2/2017	Capistrone
8,083,799 B2	12/2011	Baynham		9,687,359 B2	6/2017	Perrow
8,105,382 B2	1/2012	Olmos et al.		9,693,872 B2	7/2017	Trudeau
8,118,872 B2	2/2012	Trudeau		9,700,430 B2	7/2017	Perrow
8,128,856 B2	3/2012	Chou		9,883,949 B2	2/2018	Mermuys
				10,105,240 B2	10/2018	Defelice
				D833,012 S *	11/2018	Jones D24/155
				D833,611 S *	11/2018	Jones D24/155
				D833,612 S *	11/2018	Jones D24/155
				D835,279 S *	12/2018	Jones D24/155

(56)

References Cited

U.S. PATENT DOCUMENTS

D835,788 S *	12/2018	Jones	D24/155	2003/0040802 A1	2/2003	Errico
D840,036 S *	2/2019	Jones	D24/155	2003/0045939 A1	3/2003	Casutt
D907,771 S	1/2021	Trudeau et al.		2003/0055427 A1	3/2003	Graf
11,147,682 B2	10/2021	Trudeau et al.		2003/0060891 A1	3/2003	Shah
2001/0010021 A1	7/2001	Boyd		2003/0069586 A1	4/2003	Errico
2001/0012938 A1	8/2001	Zucherman		2003/0069642 A1	4/2003	Ralph
2001/0014826 A1	8/2001	Biedermann		2003/0069643 A1	4/2003	Ralph
2001/0016733 A1	8/2001	Frey		2003/0073998 A1	4/2003	Pagliuca
2001/0016772 A1	8/2001	Lee		2003/0074075 A1	4/2003	Thomas
2001/0016773 A1	8/2001	Serhan		2003/0074076 A1	4/2003	Ferree
2001/0016776 A1	8/2001	Zuckerman		2003/0078579 A1	4/2003	Ferree
2001/0020476 A1	9/2001	Gan		2003/0078590 A1	4/2003	Errico
2001/0027343 A1	10/2001	Keller		2003/0078662 A1	4/2003	Ralph
2001/0031965 A1	10/2001	Zucherman		2003/0083748 A1	5/2003	Lee
2001/0032019 A1	10/2001	VanDyke		2003/0093155 A1	5/2003	Lambrecht
2001/0032020 A1	10/2001	Besselink		2003/0100950 A1	5/2003	Moret
2001/0047208 A1	11/2001	Michelson		2003/0100951 A1	5/2003	Serhan
2001/0049560 A1	12/2001	Paul		2003/0120351 A1	6/2003	Tofighi
2001/0051829 A1	12/2001	Middleton		2003/0130667 A1	7/2003	Lin
2002/0013600 A1	1/2002	Scribner		2003/0130737 A1	7/2003	McGahan
2002/0013624 A1	1/2002	Michelson		2003/0135275 A1	7/2003	Garcia
2002/0022883 A1	2/2002	Burg		2003/0135276 A1	7/2003	Eckman
2002/0022888 A1	2/2002	Serhan		2003/0135277 A1	7/2003	Bryan
2002/0026244 A1	2/2002	Trieu		2003/0135278 A1	7/2003	Eckman
2002/0029082 A1	3/2002	Muhanna		2003/0135279 A1	7/2003	Michelson
2002/0029083 A1	3/2002	Zucherman		2003/0139812 A1	7/2003	Garcia
2002/0035400 A1	3/2002	Bryan		2003/0139813 A1	7/2003	Messerli
2002/0045942 A1	4/2002	Ham		2003/0139816 A1	7/2003	Michelson
2002/0045944 A1	4/2002	Muhanna		2003/0149438 A1	8/2003	Nichols
2002/0049447 A1	4/2002	Li		2003/0149483 A1	8/2003	Michelson
2002/0049498 A1	4/2002	Yuksel		2003/0149484 A1	8/2003	Michelson
2002/0065560 A1	5/2002	Varga		2003/0176921 A1	9/2003	Lawson
2002/0082608 A1	6/2002	Reiley		2003/0181981 A1	9/2003	Lemaire
2002/0082700 A1	6/2002	Bianchi		2003/0195514 A1	10/2003	Trieu
2002/0082701 A1	6/2002	Zdeblick		2003/0195629 A1	10/2003	Pafford
2002/0087212 A1	7/2002	James		2003/0204260 A1	10/2003	Ferree
2002/0087480 A1	7/2002	Sauriol		2003/0204261 A1	10/2003	Eisermann
2002/0091390 A1	7/2002	Michelson		2003/0204362 A1	10/2003	Beresford
2002/0099444 A1	7/2002	Boyd		2003/0208203 A1	11/2003	Lim
2002/0106393 A1	8/2002	Bianchi		2003/0216810 A1	11/2003	Ralph
2002/0107571 A1	8/2002	Foley		2003/0220691 A1	11/2003	Songer
2002/0107572 A1	8/2002	Foley		2003/0229358 A1	12/2003	Errico
2002/0107573 A1	8/2002	Steinberg		2003/0233146 A1	12/2003	Grinberg
2002/0111683 A1	8/2002	Ralph		2003/0236520 A1	12/2003	Lim
2002/0111687 A1	8/2002	Ralph		2004/0002763 A1	1/2004	Phillips
2002/0115742 A1	8/2002	Trieu		2004/0002764 A1	1/2004	Gainor
2002/0120269 A1	8/2002	Lange		2004/0006394 A1	1/2004	Lipman
2002/0120270 A1	8/2002	Trieu		2004/0010316 A1	1/2004	William
2002/0120334 A1	8/2002	Crozet		2004/0024462 A1	2/2004	Ferree
2002/0120336 A1	8/2002	Santilli		2004/0024463 A1	2/2004	Thomas
2002/0127720 A1	9/2002	Erbe		2004/0030390 A1	2/2004	Ferree
2002/0143319 A1	10/2002	Brock		2004/0030391 A1	2/2004	Ferree
2002/0143400 A1	10/2002	Biscup		2004/0030392 A1	2/2004	Lambrecht
2002/0151894 A1	10/2002	Melkent		2004/0034426 A1	2/2004	Errico
2002/0151979 A1	10/2002	Lambrecht		2004/0038445 A1	2/2004	Lowrey
2002/0156528 A1	10/2002	Gau		2004/0044410 A1	3/2004	Ferree
2002/0165550 A1	11/2002	Frey		2004/0049280 A1	3/2004	Cauthen
2002/0165612 A1	11/2002	Gerber		2004/0052829 A1	3/2004	Shimp
2002/0165613 A1	11/2002	Lin		2004/0068321 A1	4/2004	Ferree
2002/0165616 A1	11/2002	Heide		2004/0073315 A1	4/2004	Justin et al.
2002/0177897 A1	11/2002	Michelson		2004/0082999 A1	4/2004	Mathys
2003/0003127 A1	1/2003	Brown		2004/0093082 A1	5/2004	Ferree
2003/0009226 A1	1/2003	Graf		2004/0093083 A1	5/2004	Branch
2003/0009227 A1	1/2003	Lambrecht		2004/0093088 A1	5/2004	Ralph
2003/0014113 A1	1/2003	Ralph		2004/0098129 A1	5/2004	Lin
2003/0014115 A1	1/2003	Ralph		2004/0102846 A1	5/2004	Keller
2003/0023306 A1	1/2003	Liu		2004/0115172 A1	6/2004	Bianchi
2003/0023311 A1	1/2003	Trieu		2004/0117018 A1	6/2004	Michelson
2003/0028197 A1	2/2003	Hanson		2004/0117019 A1	6/2004	Trieu
2003/0028249 A1	2/2003	Bacelli		2004/0117022 A1	6/2004	Marnay
2003/0028251 A1	2/2003	Mathews		2004/0127990 A1	7/2004	Bartish
2003/0034329 A1	2/2003	Chou		2004/0127993 A1	7/2004	Kast
2003/0040796 A1	2/2003	Ferree		2004/0127994 A1	7/2004	Kast
2003/0040798 A1	2/2003	Michelson		2004/0133132 A1	7/2004	Chappuis
2003/0040799 A1	2/2003	Boyd		2004/0133207 A1	7/2004	Abdou
				2004/0133278 A1	7/2004	Marino
				2004/0133280 A1	7/2004	Trieu
				2004/0143331 A1	7/2004	Errico
				2004/0143332 A1	7/2004	Krueger

(56)

References Cited

U.S. PATENT DOCUMENTS

2004/0148027	A1	7/2004	Errico	2005/0107789	A1	5/2005	Sweeney
2004/0148028	A1	7/2004	Ferree	2005/0107881	A1	5/2005	Alleyne
2004/0153065	A1	8/2004	Lim	2005/0113842	A1	5/2005	Bertagnoli
2004/0153157	A1	8/2004	Keller	2005/0118230	A1	6/2005	Hill
2004/0153158	A1	8/2004	Errico	2005/0119752	A1	6/2005	Williams
2004/0153159	A1	8/2004	Cauthen	2005/0125062	A1	6/2005	Biedermann
2004/0158328	A1	8/2004	Eisermann	2005/0125066	A1	6/2005	McAfee
2004/0162616	A1	8/2004	Simonton	2005/0131541	A1	6/2005	Trieu
2004/0162618	A1	8/2004	Mujwid	2005/0143735	A1	6/2005	Kyle
2004/0167520	A1	8/2004	Zucherman	2005/0143738	A1	6/2005	Zucherman
2004/0167534	A1	8/2004	Errico	2005/0143820	A1	6/2005	Zucherman
2004/0167536	A1	8/2004	Errico	2005/0143822	A1	6/2005	Paul
2004/0167538	A1	8/2004	Gerber	2005/0143824	A1	6/2005	Richelsoph
2004/0167626	A1	8/2004	Geremakis	2005/0143826	A1	6/2005	Zucherman
2004/0167628	A1	8/2004	Foley	2005/0149048	A1	7/2005	LePort et al.
2004/0167637	A1	8/2004	Biscup	2005/0154463	A1	7/2005	Trieu
2004/0176843	A1	9/2004	Zubok	2005/0154464	A1	7/2005	Humphreys
2004/0176845	A1	9/2004	Zubok	2005/0154466	A1	7/2005	Humphreys
2004/0176848	A1	9/2004	Zubok	2005/0154468	A1	7/2005	Rivin
2004/0176853	A1	9/2004	Sennett	2005/0165398	A1	7/2005	Reiley
2004/0181282	A1	9/2004	Zucherman	2005/0165485	A1	7/2005	Trieu
2004/0186573	A1	9/2004	Ferree	2005/0177237	A1	8/2005	Shappley
2004/0186577	A1	9/2004	Ferree	2005/0177238	A1	8/2005	Khandkar
2004/0186579	A1	9/2004	Callaway	2005/0177245	A1	8/2005	Leatherbury
2004/0193272	A1	9/2004	Zubok	2005/0182416	A1	8/2005	Lim
2004/0199251	A1	10/2004	McCombe	2005/0192670	A1	9/2005	Zubok
2004/0199252	A1	10/2004	Sears	2005/0192671	A1	9/2005	Bao
2004/0199255	A1	10/2004	Mathieu	2005/0196420	A1	9/2005	Zucherman
2004/0204760	A1	10/2004	Fitz	2005/0203512	A1	9/2005	Hawkins
2004/0210226	A1	10/2004	Trieu	2005/0203538	A1	9/2005	Lo
2004/0210312	A1	10/2004	Neumann	2005/0209603	A1	9/2005	Zucherman
2004/0214326	A1	10/2004	Cousins	2005/0209698	A1	9/2005	Gordon
2004/0220568	A1	11/2004	Zucherman	2005/0216084	A1	9/2005	Fleischmann
2004/0220670	A1	11/2004	Eisermann	2005/0216087	A1	9/2005	Zucherman
2004/0225295	A1	11/2004	Zubok	2005/0228383	A1	10/2005	Zucherman
2004/0243239	A1	12/2004	Taylor	2005/0228384	A1	10/2005	Zucherman
2004/0243240	A1	12/2004	Beaurain	2005/0228498	A1	10/2005	Andres
2004/0249471	A1	12/2004	Bindseil	2005/0228501	A1	10/2005	Miller
2005/0004672	A1	1/2005	Pafford	2005/0240182	A1	10/2005	Zucherman
2005/0010292	A1	1/2005	Carrasco	2005/0245937	A1	11/2005	Winslow
2005/0015150	A1	1/2005	Lee	2005/0251267	A1	11/2005	Winterbottom
2005/0015154	A1	1/2005	Lindsey	2005/0256581	A1	11/2005	Songer
2005/0021030	A1	1/2005	Pagliuca	2005/0261768	A1	11/2005	Trieu
2005/0021042	A1	1/2005	Marnay	2005/0266581	A1	12/2005	Droit
2005/0021143	A1	1/2005	Keller	2005/0267587	A1	12/2005	Lin
2005/0021144	A1	1/2005	Malberg	2005/0267588	A1	12/2005	Lin
2005/0021149	A1	1/2005	Borruto	2005/0267589	A1	12/2005	Lin
2005/0027360	A1	2/2005	Webb	2005/0273166	A1	12/2005	Sweeney
2005/0031704	A1	2/2005	Ahn	2005/0278026	A1	12/2005	Gordon
2005/0033305	A1	2/2005	Schultz	2005/0281856	A1	12/2005	McGlohorn
2005/0033437	A1	2/2005	Bao	2005/0283245	A1	12/2005	Gordon et al.
2005/0033438	A1	2/2005	Schultz	2006/0004447	A1	1/2006	Mastrorio
2005/0038445	A1	2/2005	Errico	2006/0004453	A1	1/2006	Bartish
2005/0038515	A1	2/2005	Kunzler	2006/0004454	A1	1/2006	Ferree
2005/0038516	A1	2/2005	Spoonamore	2006/0020341	A1	1/2006	Schneid
2005/0043796	A1	2/2005	Grant	2006/0020342	A1	1/2006	Ferree
2005/0043798	A1	2/2005	Eckman	2006/0030860	A1	2/2006	Peterman
2005/0049589	A1	3/2005	Jackson	2006/0030943	A1	2/2006	Peterman
2005/0049590	A1	3/2005	Alleyne	2006/0041314	A1	2/2006	Millard
2005/0049707	A1	3/2005	Ferree	2006/0041614	A1	2/2006	Oe
2005/0055029	A1	3/2005	Marik	2006/0069436	A1	3/2006	Sutton
2005/0055097	A1	3/2005	Grunberg	2006/0085076	A1	4/2006	Krishna
2005/0060034	A1	3/2005	Berry	2006/0089646	A1	4/2006	Bonutti
2005/0060035	A1	3/2005	Errico	2006/0089654	A1	4/2006	Lins
2005/0065604	A1	3/2005	Stoll	2006/0095043	A1	5/2006	Martz
2005/0070918	A1	3/2005	Zwirnmann	2006/0095136	A1	5/2006	McLuen
2005/0071005	A1	3/2005	Carli	2006/0116767	A1	6/2006	Magerl
2005/0071010	A1	3/2005	Crozet	2006/0129238	A1	6/2006	Paltzer
2005/0071011	A1	3/2005	Ralph	2006/0129244	A1	6/2006	Ensign
2005/0071012	A1	3/2005	Serhan	2006/0136062	A1	6/2006	Dinello
2005/0080488	A1	4/2005	Schultz	2006/0142858	A1	6/2006	Colleran
2005/0085911	A1	4/2005	Link	2006/0149258	A1	7/2006	Sousa
2005/0085917	A1	4/2005	Marnay	2006/0149388	A1	7/2006	Smith
2005/0096745	A1	5/2005	Andre	2006/0155295	A1	7/2006	Supper
2005/0101955	A1	5/2005	Zucherman	2006/0167549	A1	7/2006	Mathys, Jr.
				2006/0178744	A1	8/2006	De Villiers
				2006/0178745	A1	8/2006	Bartish
				2006/0195103	A1	8/2006	Padget et al.
				2006/0195190	A1	8/2006	Lechmann

(56)

References Cited

U.S. PATENT DOCUMENTS

2006/0195191	A1	8/2006	Sweeney	2008/0109081	A1	5/2008	Bao
2006/0212122	A1	9/2006	Perera	2008/0114367	A1	5/2008	Meyer
2006/0217807	A1	9/2006	Peterman	2008/0114456	A1	5/2008	Dewey
2006/0217812	A1	9/2006	Lambrech	2008/0140082	A1	6/2008	Erdem et al.
2006/0224159	A1	10/2006	Anderson	2008/0154377	A1	6/2008	Voellmicke
2006/0229623	A1	10/2006	Bonutti	2008/0177271	A1	7/2008	Yeh
2006/0229627	A1	10/2006	Hunt	2008/0183211	A1	7/2008	Lamborne
2006/0235414	A1	10/2006	Lim	2008/0188897	A1	8/2008	Krebs et al.
2006/0235426	A1	10/2006	Lim et al.	2008/0188940	A1	8/2008	Cohen
2006/0235521	A1	10/2006	Zucherman	2008/0195209	A1	8/2008	Garcia
2006/0235527	A1	10/2006	Buettner-Jan	2008/0200985	A1	8/2008	Robie
2006/0235528	A1	10/2006	Buettner-Jan	2008/0208342	A1	8/2008	Hanson
2006/0235531	A1	10/2006	Buettner-Jan	2008/0221695	A1	9/2008	Jacofsky
2006/0241597	A1	10/2006	Mitchell	2008/0234828	A1	9/2008	Wagner
2006/0241614	A1	10/2006	Bruneau	2008/0243252	A1	10/2008	Hansen
2006/0241761	A1	10/2006	Gately	2008/0288073	A1	11/2008	Renganath
2006/0241770	A1	10/2006	Rhoda	2008/0288076	A1	11/2008	Soo
2006/0247657	A1	11/2006	Trieu	2008/0288081	A1	11/2008	Scrafton
2006/0247665	A1	11/2006	Ferree	2008/0306488	A1	12/2008	Altarac
2006/0247772	A1	11/2006	McKay	2008/0306489	A1	12/2008	Altarac
2006/0247776	A1	11/2006	Kim	2008/0306538	A1	12/2008	Moore
2006/0247784	A1	11/2006	Kim	2008/0306596	A1	12/2008	Jones
2006/0253121	A1	11/2006	Gorensek	2008/0306598	A1	12/2008	Hansen
2006/0253132	A1	11/2006	Evans	2009/0024174	A1	1/2009	Stark
2006/0259037	A1	11/2006	Hartmann	2009/0030519	A1	1/2009	Falahee
2006/0271194	A1	11/2006	Zucherman	2009/0036927	A1	2/2009	Vestgaarden
2006/0293662	A1	12/2006	Boyer	2009/0043390	A1	2/2009	Meisel
2006/0293663	A1	12/2006	Walkenhorst	2009/0054901	A1	2/2009	Oh
2006/0293752	A1	12/2006	Moumene	2009/0062917	A1	3/2009	Foley
2007/0027544	A1	2/2007	McCord	2009/0099610	A1	4/2009	Johnson et al.
2007/0027547	A1	2/2007	Rydell	2009/0099661	A1	4/2009	Bhattacharya
2007/0032568	A1	2/2007	Lin	2009/0105824	A1	4/2009	Jones
2007/0055246	A1	3/2007	Zucherman	2009/0105825	A1	4/2009	Foreman
2007/0055275	A1	3/2007	Schaller	2009/0131986	A1	5/2009	Lee et al.
2007/0055376	A1	3/2007	Michelson	2009/0138053	A1	5/2009	Assell et al.
2007/0073398	A1	3/2007	Fabian	2009/0164020	A1	6/2009	Janowski
2007/0093838	A1	4/2007	Khodadadyan-Klostermann	2009/0164023	A1	6/2009	Devine
2007/0093850	A1	4/2007	Harris et al.	2009/0185904	A1	7/2009	Landberg
2007/0100212	A1	5/2007	Pimenta	2009/0216238	A1	8/2009	Stark
2007/0100348	A1	5/2007	Cauthen	2009/0228054	A1	9/2009	Hoffman
2007/0100454	A1	5/2007	Burgess	2009/0234395	A1	9/2009	Hoffman
2007/0100455	A1	5/2007	Parsons	2009/0240333	A1	9/2009	Trudeau
2007/0118226	A1	5/2007	Lambrech	2009/0240336	A1	9/2009	Vander
2007/0142843	A1	6/2007	Dye	2009/0248163	A1	10/2009	King
2007/0161992	A1	7/2007	Kwak	2009/0259261	A1	10/2009	Reiley
2007/0162001	A1	7/2007	Chin	2009/0276049	A1	11/2009	Weiland
2007/0162128	A1	7/2007	Deridder	2009/0281580	A1	11/2009	Emmanuel
2007/0162131	A1	7/2007	Friedman	2009/0287254	A1	11/2009	Nayet et al.
2007/0162138	A1	7/2007	Heinz	2009/0299479	A1	12/2009	Jones
2007/0191837	A1	8/2007	Trieu	2010/0003102	A1	1/2010	Nagaiwa et al.
2007/0191954	A1	8/2007	Hansell	2010/0010496	A1	1/2010	Isaza et al.
2007/0191959	A1	8/2007	Hartmann	2010/0016974	A1	1/2010	Janowski
2007/0213641	A1	9/2007	Francis	2010/0070039	A1	3/2010	Guyer
2007/0213732	A1	9/2007	Khanna et al.	2010/0076559	A1	3/2010	Bagga
2007/0213826	A1	9/2007	Smith	2010/0106190	A1	4/2010	Linares
2007/0225726	A1	9/2007	Dye	2010/0106200	A1	4/2010	Stark
2007/0233076	A1	10/2007	Trieu	2010/0131011	A1	5/2010	Stark
2007/0233143	A1	10/2007	Josse	2010/0171306	A1	7/2010	Gillot
2007/0233153	A1	10/2007	Shipp	2010/0191337	A1	7/2010	Zamani
2007/0270961	A1	11/2007	Ferguson	2010/0198267	A1	8/2010	Vaidya
2007/0288005	A1	12/2007	Arnin	2010/0204798	A1	8/2010	Gerbec
2007/0293948	A1	12/2007	Bagga	2010/0228296	A1	9/2010	Vraney
2007/0293949	A1	12/2007	Salerni	2010/0249797	A1	9/2010	Trudeau
2008/0009880	A1	1/2008	Warnick	2010/0268228	A1	10/2010	Petersen
2008/0009945	A1	1/2008	Pacheco	2010/0280619	A1	11/2010	Yuan
2008/0015588	A1	1/2008	Hawkes	2011/0040362	A1	2/2011	Godara et al.
2008/0015597	A1	1/2008	Whipple	2011/0045087	A1	2/2011	Kerr
2008/0021454	A1	1/2008	Chao et al.	2011/0054373	A1	3/2011	Reiley
2008/0021456	A1	1/2008	Gupta et al.	2011/0054621	A1	3/2011	Lim
2008/0065219	A1	3/2008	Dye	2011/0087294	A1	4/2011	Reiley
2008/0071372	A1	3/2008	Butler	2011/0087296	A1	4/2011	Reiley et al.
2008/0077153	A1	3/2008	Pernsteiner	2011/0093078	A1	4/2011	Puno
2008/0077241	A1	3/2008	Nguyen	2011/0098816	A1	4/2011	Jacob et al.
2008/0091211	A1	4/2008	Gately	2011/0098817	A1	4/2011	Eckhardt et al.
2008/0103598	A1	5/2008	Trudeau	2011/0106163	A1	5/2011	Hochschuler
				2011/0106259	A1	5/2011	Lindenmann
				2011/0112642	A1	5/2011	Tohmeh
				2011/0118785	A1	5/2011	Reiley
				2011/0118790	A1	5/2011	Reiley

(56)

References Cited

U.S. PATENT DOCUMENTS

2011/0118841 A1 5/2011 Reiley
 2011/0144752 A1 6/2011 Defelice
 2011/0144766 A1 6/2011 Kale et al.
 2011/0160772 A1 6/2011 Arcenio et al.
 2011/0166602 A1 7/2011 Malek
 2011/0172774 A1 7/2011 Varela
 2011/0184472 A1 7/2011 Niederberger et al.
 2011/0208309 A1 8/2011 Peterson
 2011/0230970 A1 9/2011 Lynn
 2011/0245923 A1 10/2011 Cobb
 2011/0251689 A1 10/2011 Seifert
 2011/0264218 A1 10/2011 Asaad
 2011/0270402 A1 11/2011 Frey
 2011/0282453 A1 11/2011 Greenhalgh et al.
 2011/0282454 A1 11/2011 Ullrich
 2011/0295372 A1 12/2011 Peterman
 2011/0301710 A1 12/2011 Mather
 2011/0307042 A1 12/2011 Decarmine
 2011/0313531 A1 12/2011 Lechmann
 2011/0319946 A1 12/2011 Levy et al.
 2011/0319998 A1 12/2011 ONeil
 2011/0320000 A1 12/2011 ONeil
 2012/0010715 A1 1/2012 Spann
 2012/0010717 A1 1/2012 Spann
 2012/0029641 A1 2/2012 Curran
 2012/0035730 A1 2/2012 Spann
 2012/0071984 A1 3/2012 Michelson
 2012/0083885 A1 4/2012 Thibodeau
 2012/0130494 A1 5/2012 DeLurio
 2012/0158144 A1 6/2012 Ullrich
 2012/0172934 A1 7/2012 Fisher et al.
 2012/0179261 A1 7/2012 Soo
 2012/0185045 A1 7/2012 Morris
 2012/0191191 A1 7/2012 Trieu
 2012/0203344 A1 8/2012 Trudeau
 2012/0232349 A1 9/2012 Perrow
 2012/0232664 A1 9/2012 Ulrich
 2012/0239150 A1 9/2012 Ullrich
 2012/0239151 A1 9/2012 Ulrich
 2012/0239152 A1 9/2012 Ullrich
 2012/0239153 A1 9/2012 Ullrich
 2012/0239154 A1 9/2012 Ullrich
 2012/0245694 A1 9/2012 Ullrich
 2012/0265306 A1 10/2012 Trieu
 2012/0265307 A1 10/2012 Guyer
 2012/0265311 A1 10/2012 Mather
 2012/0277869 A1 11/2012 Siccardi
 2012/0277870 A1 11/2012 Wolters
 2012/0277876 A1 11/2012 Ullrich
 2012/0283834 A1 11/2012 Gottlieb
 2012/0283838 A1 11/2012 Rhoda
 2012/0290091 A1 11/2012 Kirschman
 2012/0303123 A1 11/2012 Robie
 2012/0303127 A1 11/2012 Ullrich
 2012/0303128 A1* 11/2012 Ullrich, Jr. A61F 2/447
 623/17.16
 2012/0303129 A1 11/2012 Bagga
 2012/0310287 A1 12/2012 Bao
 2012/0310354 A1 12/2012 Ullrich
 2012/0316650 A1 12/2012 Ullrich
 2012/0316653 A1 12/2012 Ullrich
 2013/0006363 A1 1/2013 Ullrich
 2013/0018466 A1 1/2013 Yu
 2013/0030534 A1 1/2013 DeLurio
 2013/0204372 A1 8/2013 Mohar
 2013/0217838 A1 8/2013 Defelice
 2013/0282120 A1 10/2013 Refai
 2014/0172103 A1 6/2014 O'Neil
 2014/0249631 A1 9/2014 Weiman
 2014/0277434 A1 9/2014 Weeber
 2014/0277487 A1 9/2014 Davenport
 2015/0061195 A1 3/2015 Defelice
 2015/0265414 A1 9/2015 Mermuys
 2015/0274588 A1 10/2015 Defelice
 2015/0328665 A1 11/2015 Defelice

2015/0351915 A1 12/2015 Defelice
 2016/0051371 A1 2/2016 Defelice
 2016/0106551 A1 4/2016 Grimberg, Jr. et al.
 2016/0166284 A1 6/2016 Hacking
 2016/0199193 A1 7/2016 Willis
 2016/0213821 A1 7/2016 Melkent
 2016/0278934 A1 9/2016 Mermuys
 2016/0338851 A1 11/2016 Ashleigh
 2017/0000619 A1 1/2017 Milz
 2017/0057015 A1 3/2017 Defelice
 2017/0112549 A1 4/2017 Kilpela
 2017/0156880 A1 6/2017 Halverson
 2017/0239061 A1 8/2017 Parry
 2017/0239066 A1 8/2017 Walsh
 2017/0296354 A1 10/2017 Trudeau
 2017/0304070 A1 10/2017 Perrow
 2017/0312089 A1 11/2017 Duarte
 2017/0319355 A1 11/2017 Perrow
 2018/0071113 A1 3/2018 Melkent
 2018/0104063 A1 4/2018 Asaad
 2019/0076266 A1 3/2019 Trudeau
 2019/0358058 A1 11/2019 Trieu
 2019/0388232 A1 12/2019 Purcell
 2020/0237526 A1 7/2020 Wilson

FOREIGN PATENT DOCUMENTS

CA 2395609 8/2001
 CA 2482403 9/2003
 CA 2548780 A1 7/2005
 CN 1697633 11/2005
 DE 9000094 U1 1/1991
 DE 29612269 U1 9/1996
 DE 19818956 11/1998
 DE 19738052 A1 3/1999
 DE 29911422 U1 8/1999
 DE 19816832 C1 1/2000
 DE 10130825 3/2002
 DE 10309702 9/2004
 DE 202005005405 6/2005
 EP 0042271 A1 12/1981
 EP 0179695 4/1986
 EP 0346129 A1 12/1989
 EP 0760687 A1 3/1997
 EP 0773008 A1 5/1997
 EP 0834295 A1 4/1998
 EP 0919209 A1 6/1999
 EP 1104665 A1 6/2001
 EP 1132061 A2 9/2001
 EP 1138285 10/2001
 EP 1205160 5/2002
 EP 1212992 A2 6/2002
 EP 1346695 A1 9/2003
 EP 1698305 9/2006
 EP 2085056 8/2009
 EP 2623069 A1 8/2013
 EP 2349107 12/2016
 EP 2273952 2/2018
 FR 2372622 6/1978
 FR 2703580 A1 10/1994
 FR 2723841 3/1996
 FR 2732841 10/1996
 FR 2754170 A1 4/1998
 FR 2787014 6/2000
 FR 2797179 2/2001
 FR 2799116 4/2001
 FR 2801782 A1 6/2001
 FR 2805985 9/2001
 FR 2824261 A1 11/2002
 FR 2827157 1/2003
 FR 2841124 A1 12/2003
 JP 63300758 A2 12/1988
 JP 1308557 A2 12/1989
 JP 02111358 4/1990
 JP 2215461 A2 8/1990
 JP 2224659 A2 9/1990
 JP 2224660 A2 9/1990
 JP 03275055 A 12/1991
 JP 03275056 A 12/1991

(56)

References Cited

FOREIGN PATENT DOCUMENTS

JP 04303444 A 10/1992
 JP 05277141 A 10/1993
 JP 06285099 10/1994
 JP H0731673 A 2/1995
 JP 08098850 A 4/1996
 JP 08098851 A2 4/1996
 JP 11009618 A 1/1999
 JP 11137585 A 5/1999
 JP 2000210316 8/2000
 JP 2001054564 A 2/2001
 JP 2003180814 A 7/2003
 JP 2008284348 A 11/2008
 WO 9000037 A1 1/1990
 WO 9011740 10/1990
 WO 9100713 A1 1/1991
 WO 9105521 5/1991
 WO 9116867 11/1991
 WO 9316664 9/1993
 WO 9428824 A2 12/1994
 WO 9500082 1/1995
 WO 9512369 A1 5/1995
 WO 9601598 1/1996
 WO 9611642 4/1996
 WO 9627339 9/1996
 WO 9717285 A1 5/1997
 WO 9805274 2/1998
 WO 9819617 5/1998
 WO 9855053 12/1998
 WO 9911203 3/1999
 WO 9920208 A1 4/1999
 WO 9922675 5/1999
 WO 9930651 6/1999
 WO 0013619 A1 3/2000
 WO 0038574 7/2000
 WO 0042953 7/2000
 WO 0049977 A1 8/2000
 WO 0059412 10/2000
 WO 200066011 11/2000
 WO 0132100 5/2001
 WO 0137728 5/2001
 WO 0115638 A1 8/2001
 WO 0158369 A1 8/2001
 WO 0168003 9/2001
 WO 0195818 A1 12/2001
 WO 0209626 2/2002
 WO 200238086 5/2002
 WO 02087480 11/2002
 WO 03005887 1/2003
 WO 03011343 A1 2/2003
 WO 03030956 A2 4/2003
 WO 03035129 5/2003
 WO 03099171 A1 12/2003
 WO 03099172 12/2003
 WO 2004000177 A1 12/2003
 WO 2005009298 2/2005
 WO 2005041818 5/2005
 WO 2005051240 6/2005
 WO 2005055869 6/2005
 WO 2005071190 A2 8/2005
 WO 2005077307 8/2005
 WO 2005086776 9/2005
 WO 2005092208 A1 10/2005
 WO 2005102226 A1 11/2005
 WO 2005115261 A1 12/2005
 WO 2006016384 A1 2/2006
 WO 2006022644 A1 3/2006
 WO 2006064356 6/2006
 WO 2006102428 9/2006
 WO 2007015028 2/2007
 WO 2007016801 2/2007
 WO 2007087535 8/2007
 WO 2007121457 A1 10/2007
 WO 2008034135 3/2008
 WO 2008034140 3/2008
 WO 2008098054 8/2008

WO 2008140551 A2 11/2008
 WO 2009029074 A1 3/2009
 WO 2009040840 A1 4/2009
 WO 2010065015 A1 6/2010
 WO 2011014135 A2 2/2011
 WO 2011056172 5/2011
 WO 2011097905 8/2011
 WO 2012008279 1/2012
 WO 2012010327 1/2012
 WO 2013008111 1/2013
 ZA 201003898 6/2010
 ZA 201103777 6/2012

OTHER PUBLICATIONS

Bao, Qi-Bin and Yuan, Hansen A., "Artificial Disc Technology", Neurosurg. Focus, vol. 9, No. 4, Oct. 2000, 7 pp.
 Depuy Spine, Inc., Charite Artificial Disc Centreline TDR Instrumentation, Surgical Technique, Dec. 2004, 21 pp.
 Depuy Spine, Inc., Charite Artificial Disc Product Catalog, Dec. 2004, 16 pp.
 Feder, Barnaby J., "When F.D.A. Says Yes, but Insurers Say No", The New York Times, Jul. 6, 2005, 2 pp.
 Invitation to Pay Additional Fees dated Nov. 8, 2018, in corresponding PCT/US2018/050001, 2 pages.
 Medtronic Sofamor Danek, Union/Union L, Anterior & Lateral Impacted Fusion Devices, Clear Choice of Stabilization, 2001, (25 pages).
 Millsaps, Bridget Butler, "3D Printed Spinal Implants: RTI Surgical Granted Exclusive License to OPM OsteoFab Technology Platform", 3Dprint.com, <<https://3dprint.com/119715/rTI-opm-spinal-implants/>>, published Feb. 15, 2016, accessed Jul. 28, 2017, 11 pages.
 Park et al, Kambin's Triangle Approach of Lumbar Transforaminal Epidural Injection with Spinal Stenosis, Dec. 30, 2011 (10 pages).
 PCT Search Report and Written Opinion from International Patent Application No. PCT/US2018/050001 dated Jan. 22, 2019; 22 pages.
 Restriction Requirement dated Mar. 31, 2020, in corresponding Design U.S. Appl. No. 29/621,557 (5 pages).
 RTI Surgical, RTI Surgical Announces Agreement With Oxford performance Materials, dated Feb. 11, 2016, 2 pages, accessed on Dec. 27, 2017 at the following website: <https://www.businesswire.com/news/home/20160211006300/en/RTI-Surgical%20AE-Announces-Agreement-Oxford-Performance-Materials>.
 U.S. Appl. No. 29/621,557, filed Oct. 9, 2017.
 U.S. Office Action dated May 28, 2020, in corresponding U.S. Appl. No. 16/124,935 (27 pages).
 Wang M, Bhardwaj B, Webster T; Antibacterial properties of PEKK for orthopedic applications. Int'l Journal of Nanomedicine. 2017: 12 6471-6476, published Sep. 5, 2017. (6 pages).
 Zdeblick, Thomas, MD; Ghanayem, Alexander, MD; Rapoff, Andrew, MS; Swain, Carol, MS; Bassett, Tim, MD; Cooke, Mary, MS; Markel, Mark, DVM. Cervical Interbody Fusion Cages: An Animal Model With and Without Bone Morphogenetic Protein. Spine, vol. 23, No. 7., 1998. Lippincott Williams & Wilkins; Hagerstown, MD, USA. 8 pages.
 U.S. Office Action dated Sep. 25, 2020, in U.S. Appl. No. 16/124,935, (27 pages).
 Notice of Allowance dated Dec. 4, 2020, in U.S. Appl. No. 16/124,935, (6 pages).
 Extended European Search Report and Written Opinion dated Sep. 6, 2021, in corresponding European Application No. 18853354.1 (20 pages).
 ProSpace Interbody System: Product Brochure, Aesculap Implant Systems, LLC, 2014, pp. 1-4 (4 pages).
 Forza PTC Spacer System: Posterior & Transforaminal Lumbar Interbody Fusion, Orthofix Holdings, Inc., copyright Apr. 2020, describing implant publicly available before Septemebr 8, 2017 (8 pages).
 Tritanium® PL Posterior Lumbar Cage: Surgical Technique, Stryker, 2018, pp. 1-32 (32 pages).

(56)

References Cited

OTHER PUBLICATIONS

Endoskeleton® TT/TO: Posterior Interbody Fusion Device for the Lumbar Spine, Titan Spine, 2011 (2 pages).

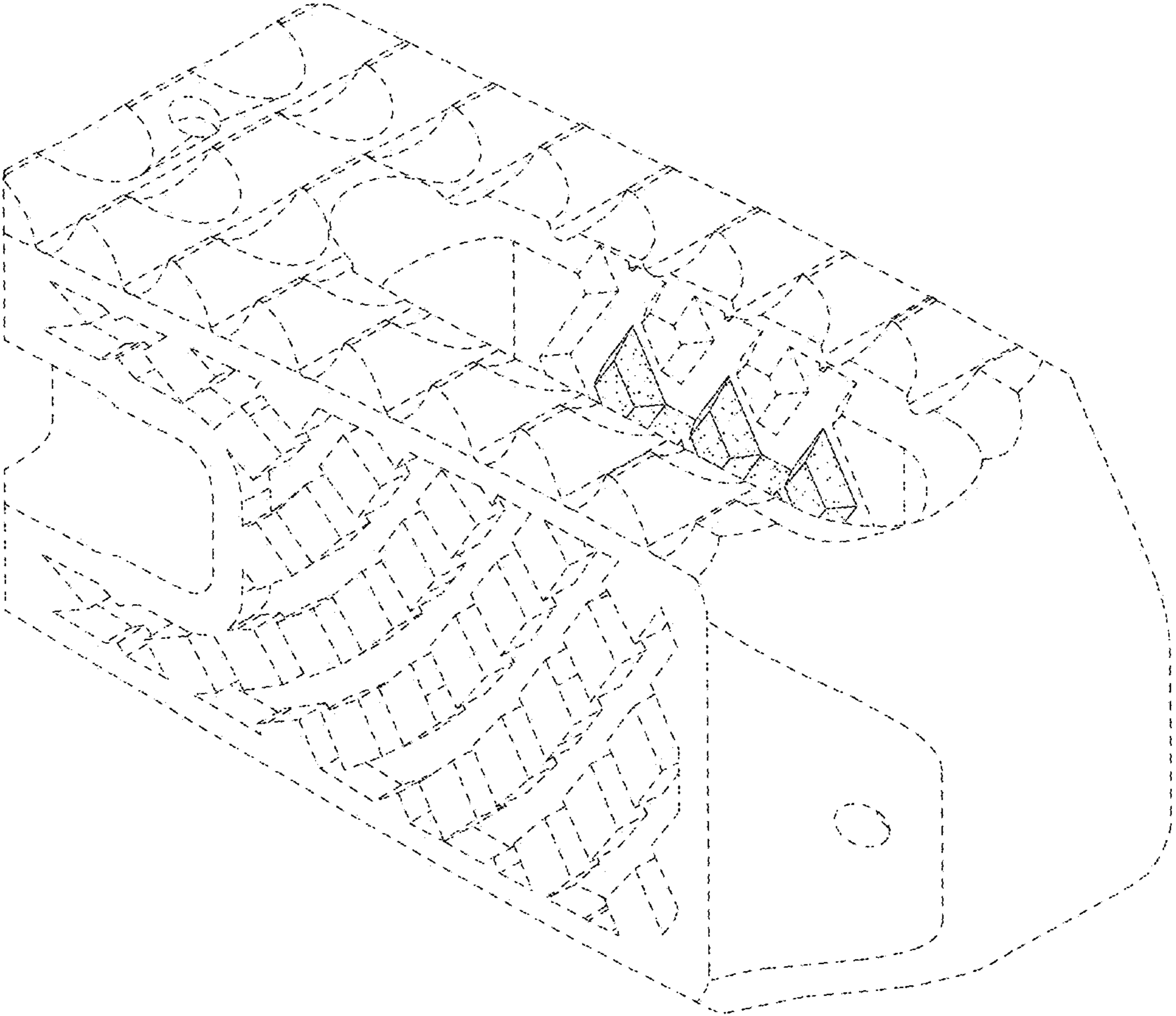
A Revolution in Interbody Fusion: Cervical Interbody Fusion Device, Valeo II® C, CTL Amedica Corporation, copyright 2019, describing implant publicly available before Sep. 8, 2017 (2 pages).

A Revolution in Interbody Fusion: Transforaminal Lumbar Interbody Fusion Device, Valeo II® TL, CTL Amedica Corporation, copyright 2019, describing implant publicly available before Sep. 8, 2017 (2 pages).

Partial European Search Report and Written Opinion dated Apr. 22, 2021, in corresponding European Application No. 18853354.1 (20 pages).

* cited by examiner

Fig. 1



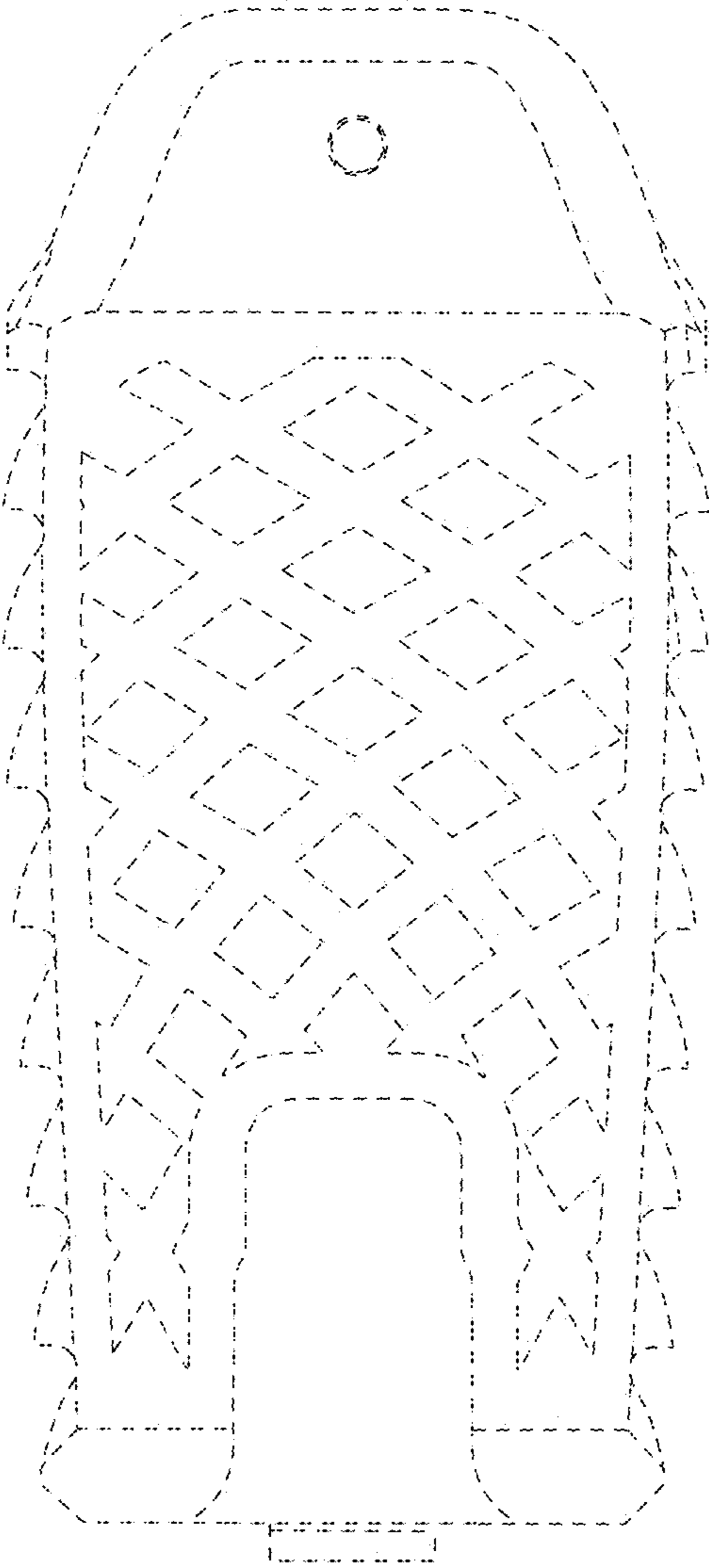


Fig. 2

Fig. 3

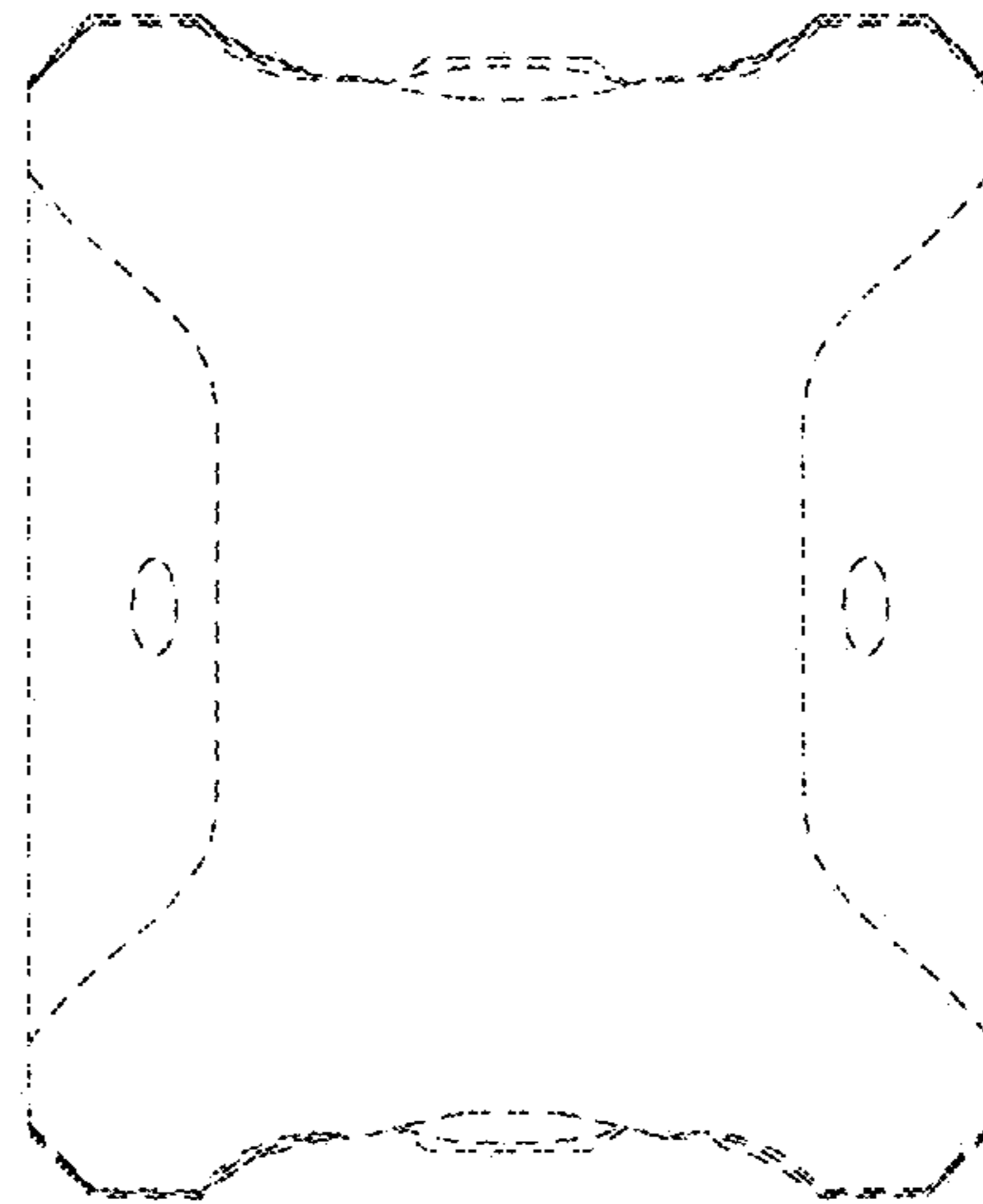
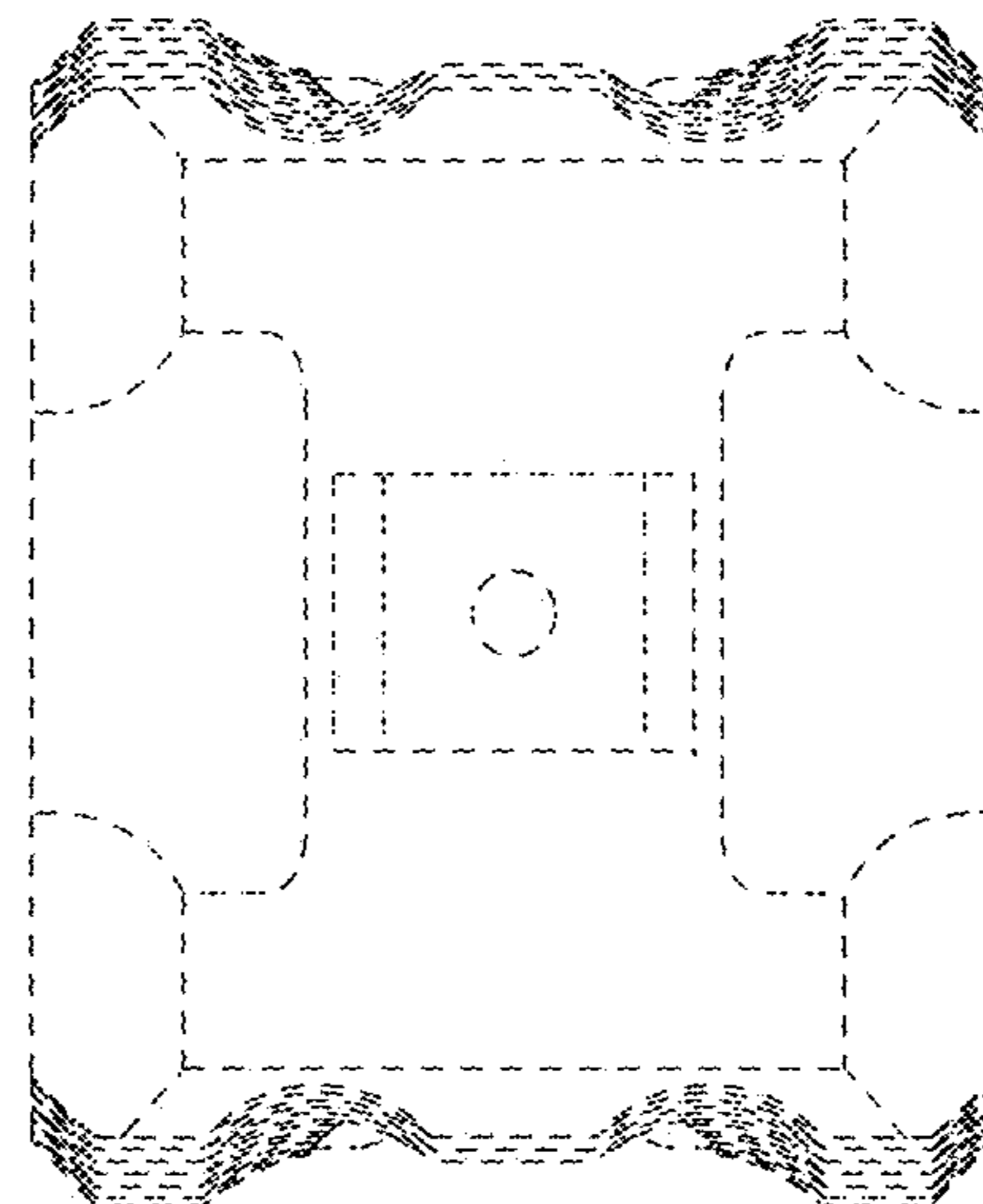


Fig. 4



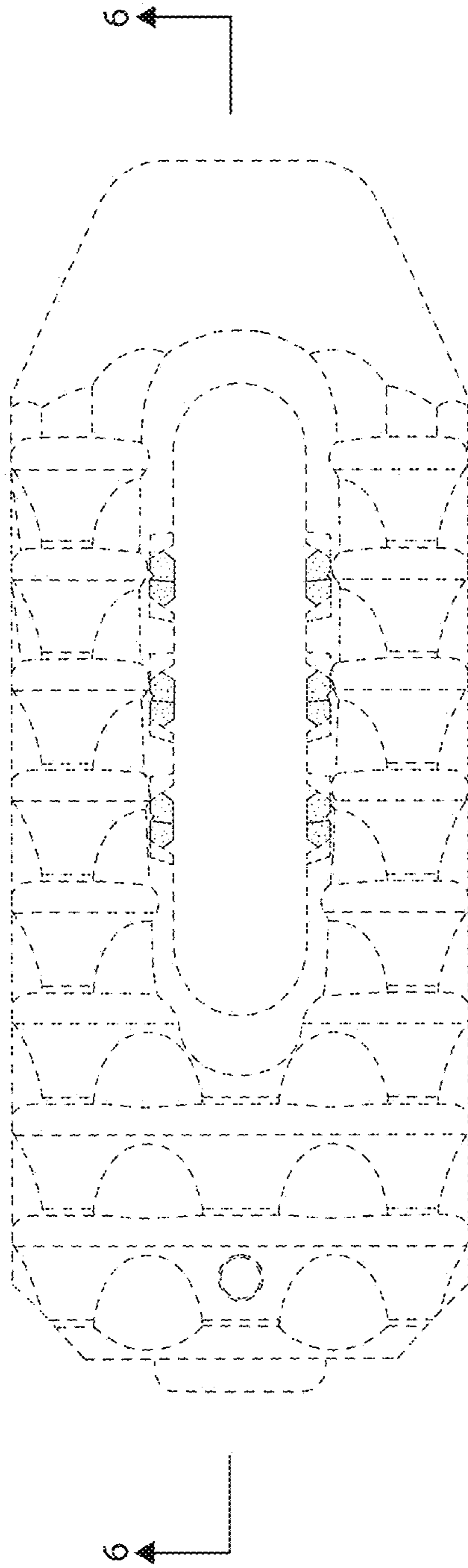


Fig. 5

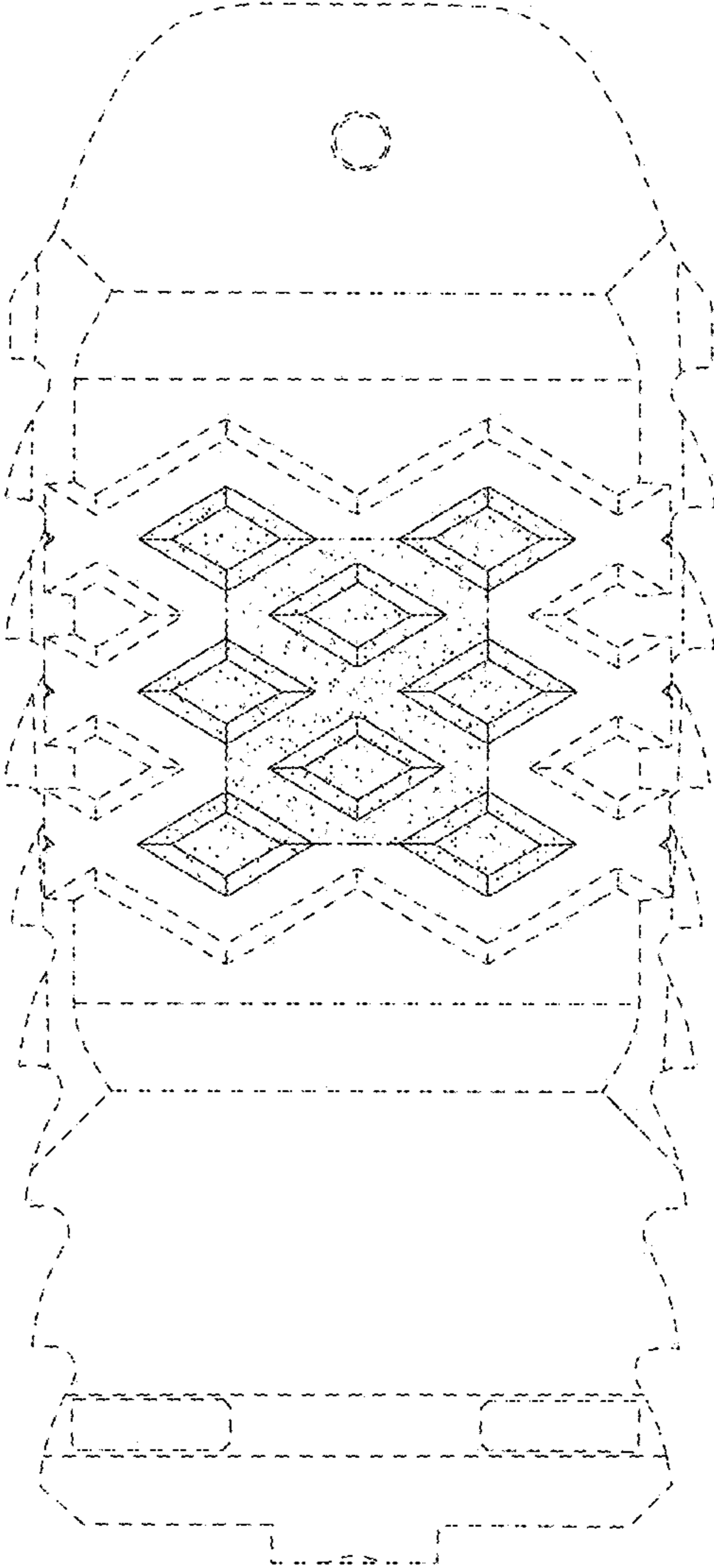


Fig. 6