

US00D968609S

(12) **United States Design Patent** (10) **Patent No.:** **US D968,609 S**
Pritchard (45) **Date of Patent:** **** Nov. 1, 2022**

(54) **MEDICAL IMPLANT DEVICE**
(71) Applicant: **LifeNet Health**, Virginia Beach, VA
(US)
(72) Inventor: **Andrew Pritchard**, Virginia Beach, VA
(US)
(73) Assignee: **LifeNet Health**, Virginia Beach, VA
(US)

D858,770 S * 9/2019 Lintula D24/155
D915,592 S * 4/2021 Mark D24/146
D916,290 S * 4/2021 Loria D24/155
2003/0032961 A1 2/2003 Pelo et al.
2010/0061825 A1 3/2010 Liu et al.
2011/0301652 A1 12/2011 Reed et al.
2012/0089197 A1 4/2012 Anderson
2013/0150965 A1 6/2013 Taylor et al.

(**) Term: **15 Years**
(21) Appl. No.: **29/705,478**
(22) Filed: **Sep. 12, 2019**
(51) **LOC (13) Cl.** **24-03**
(52) **U.S. Cl.**
USPC **D24/155**
(58) **Field of Classification Search**
USPC D24/155
CPC A61F 2/0811; A61F 2/0805; A61F
2002/0835
See application file for complete search history.

FOREIGN PATENT DOCUMENTS

WO 2013177252 A8 11/2013

OTHER PUBLICATIONS

Notice of Allowance for U.S. Appl. No. 16/844,412, dated Oct. 14, 2021, 7 pages.
Non Final Office Action for U.S. Appl. No. 16/844,412, dated Jan. 6, 2021, 18 pages.
Notice of Allowance for U.S. Appl. No. 14/401,195, dated Jan. 15, 2020, 9 pages.

* cited by examiner

Primary Examiner — Charles D Hanson
(74) *Attorney, Agent, or Firm* — RatnerPrestia

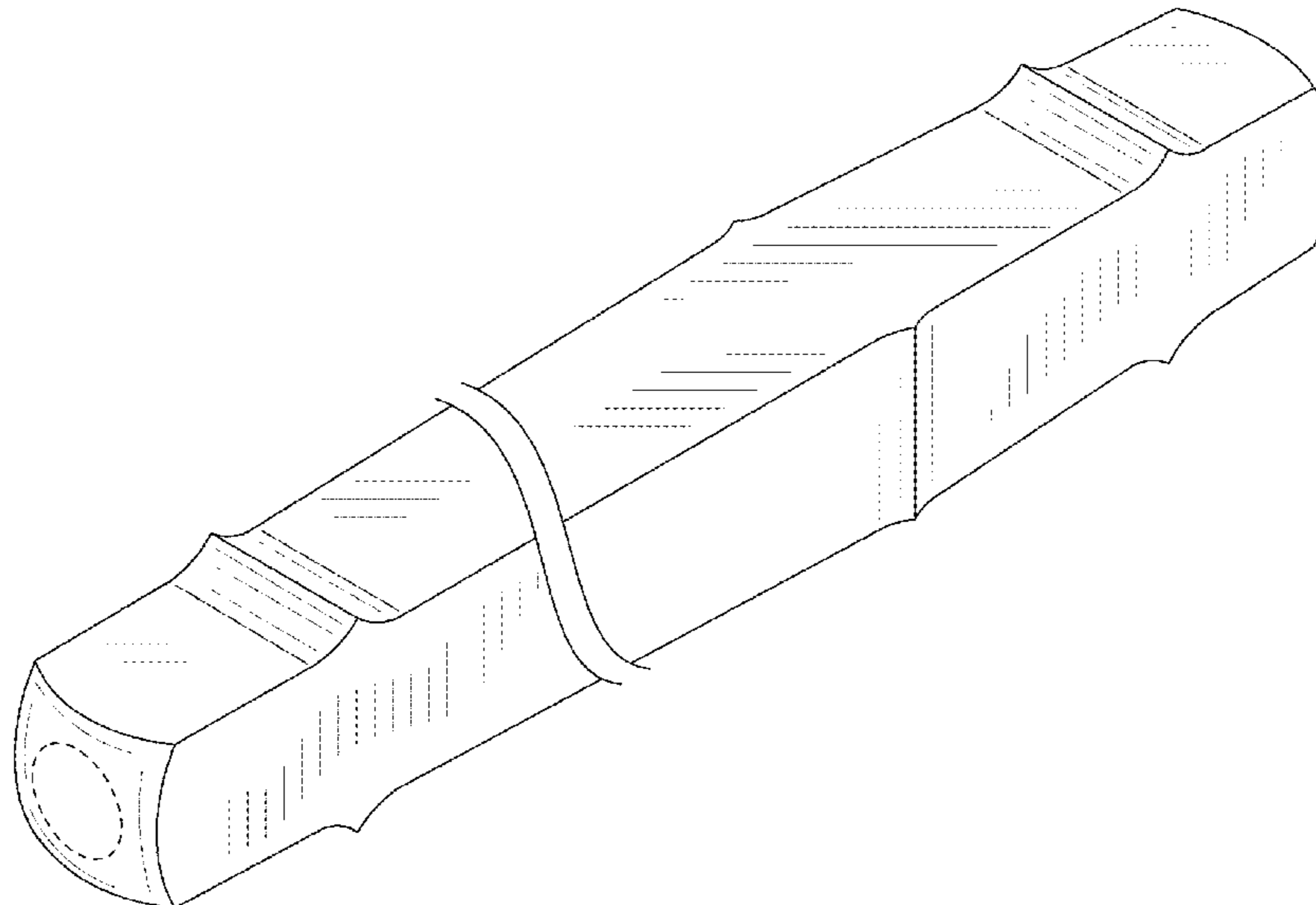
(56) **References Cited**
U.S. PATENT DOCUMENTS
5,417,692 A 5/1995 Goble et al.
6,562,071 B2 * 5/2003 Jarvinen A61F 2/0811
606/232
7,491,226 B2 * 2/2009 Palmaz A61F 2/82
623/1.13
8,226,714 B2 * 7/2012 Beck, Jr. A61F 2/0811
623/13.12
8,551,137 B2 10/2013 Cohen et al.
8,858,565 B1 * 10/2014 Hoof A61F 2/0805
606/104
8,906,028 B2 * 12/2014 Kleiner A61F 2/4611
606/92
9,072,562 B2 7/2015 Weiner et al.
9,282,977 B2 3/2016 Penzimer et al.
9,510,940 B2 * 12/2016 Chen A61F 2/186

(57) **CLAIM**
The ornamental design for a medical implant device, as shown and described.

DESCRIPTION

FIG. 1 is an isometric view of a medical implant device; FIG. 2 is a front elevation view thereof; FIG. 3 is a rear elevation view thereof; FIG. 4 is a top plan view thereof; FIG. 5 is a bottom plan view thereof; FIG. 6 is an elevation view thereof from the right side; and, FIG. 7 is an elevation view thereof from the left side. The broken lines illustrate portions of the medical implant device that form no part of the claimed design.

1 Claim, 4 Drawing Sheets



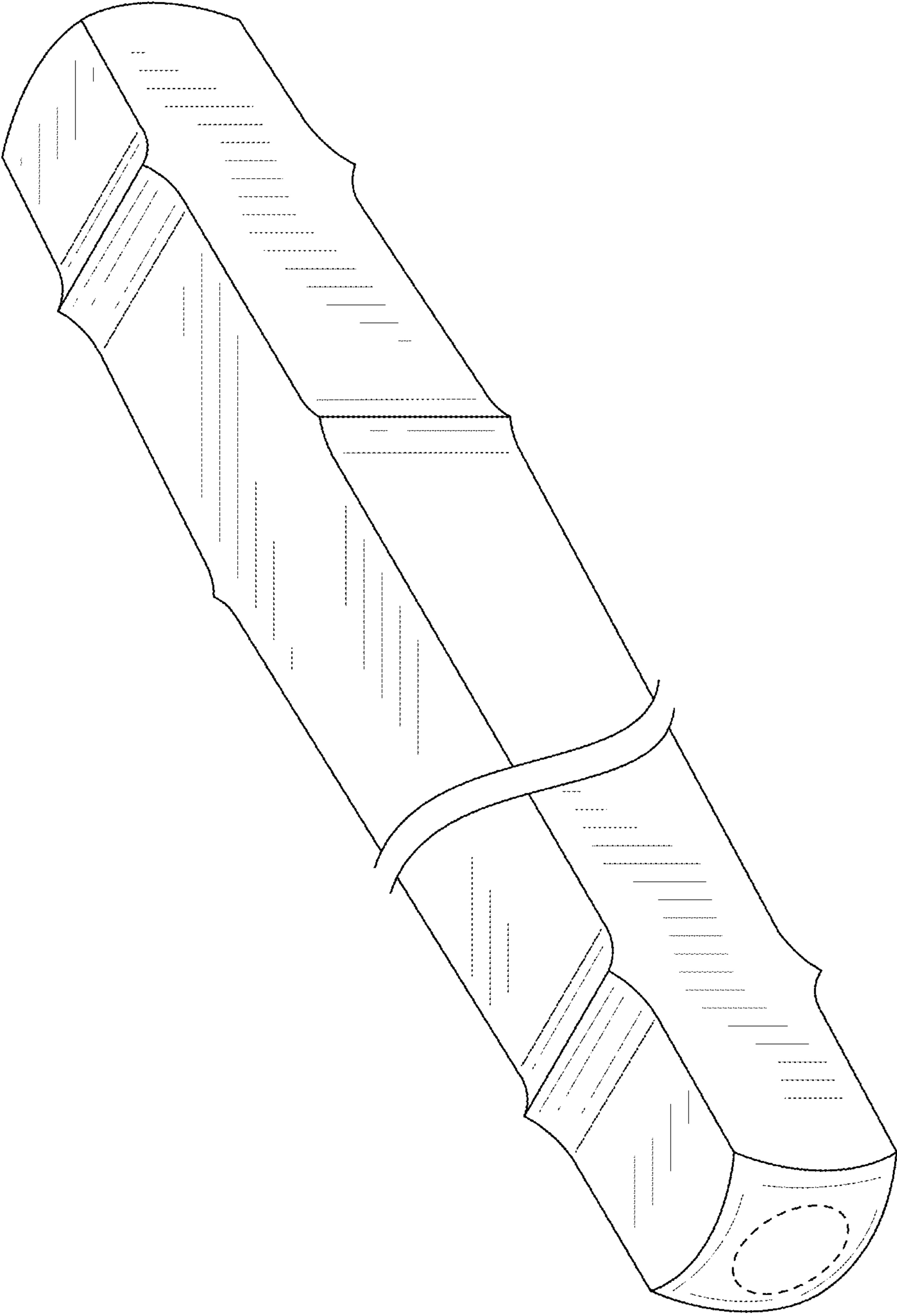


FIG. 1

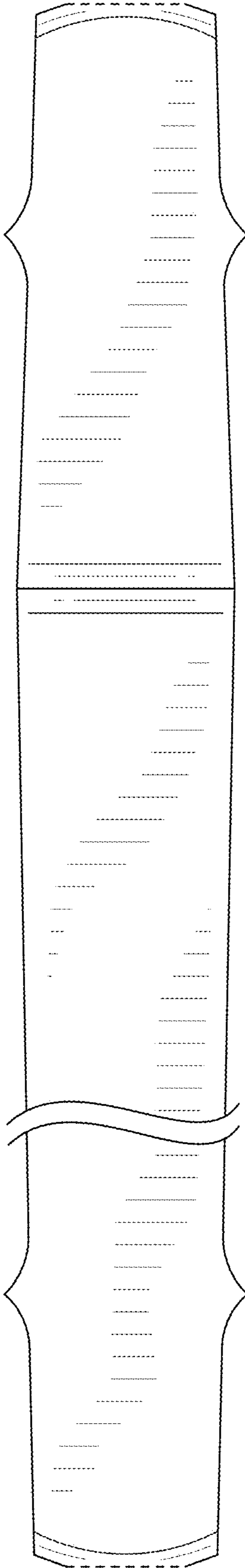


FIG. 2

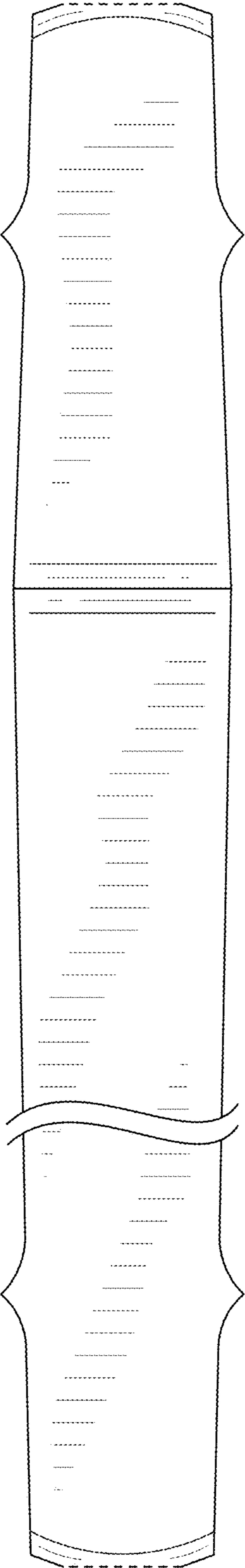


FIG. 3

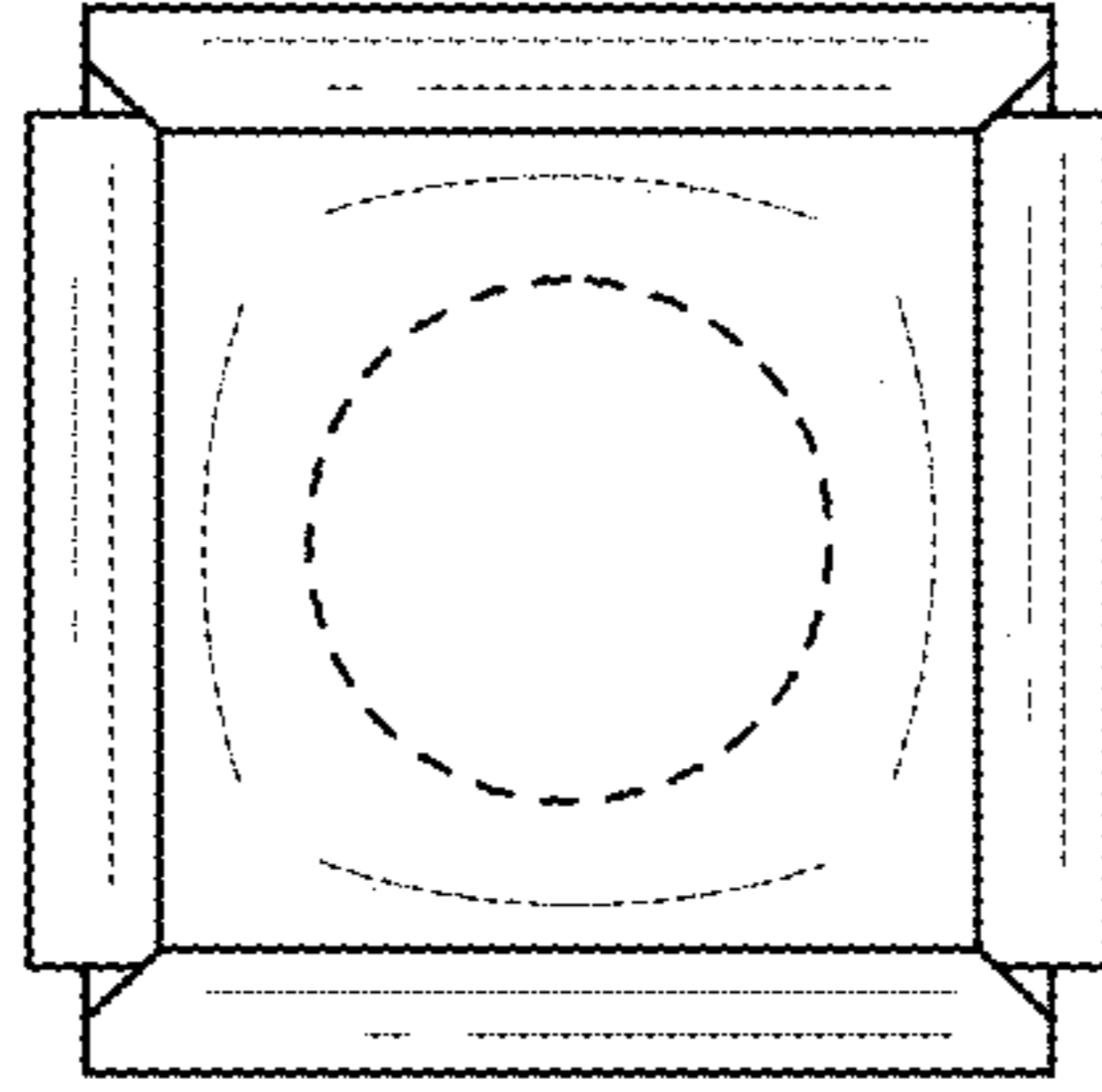


FIG. 5

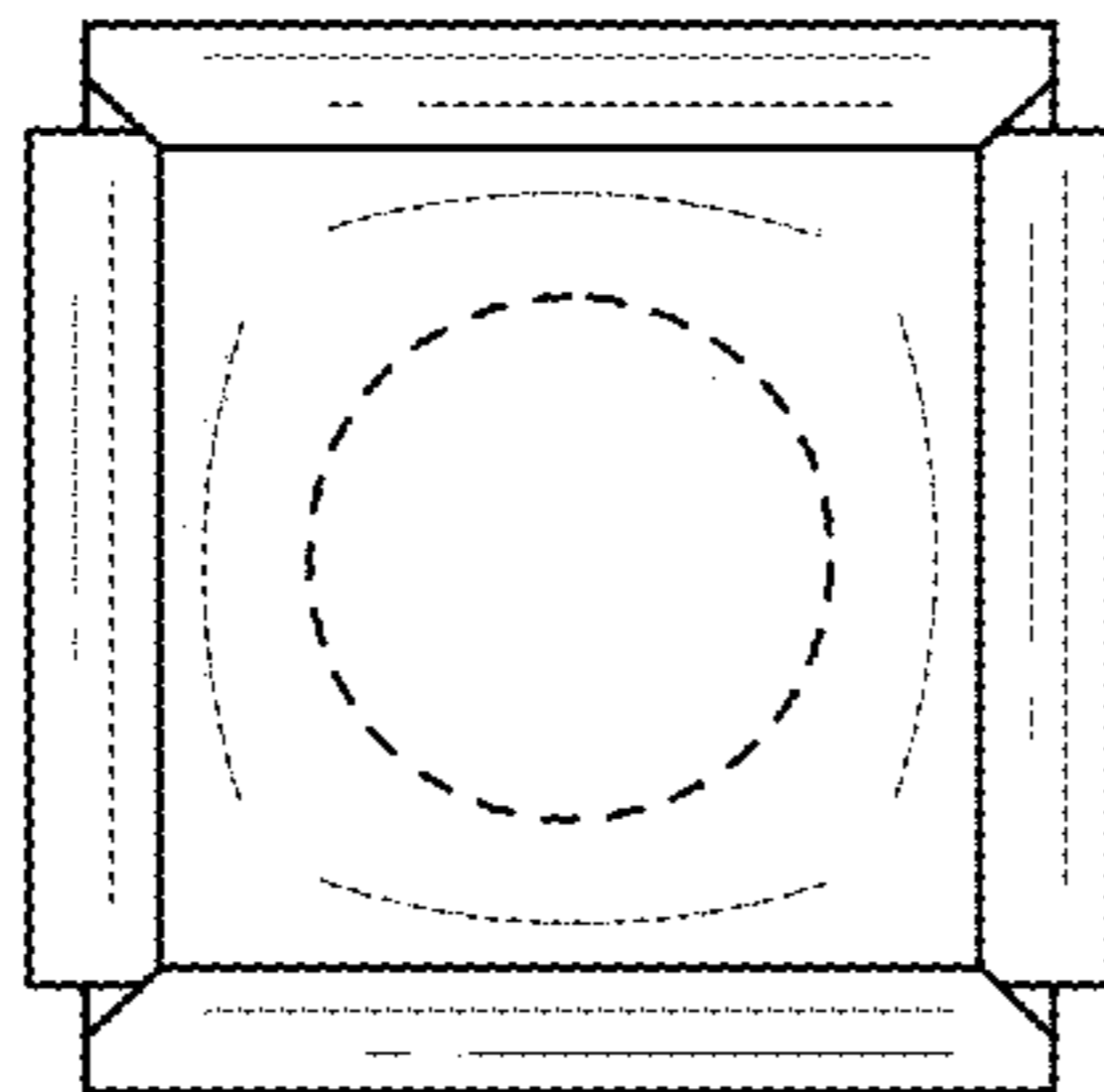


FIG. 4

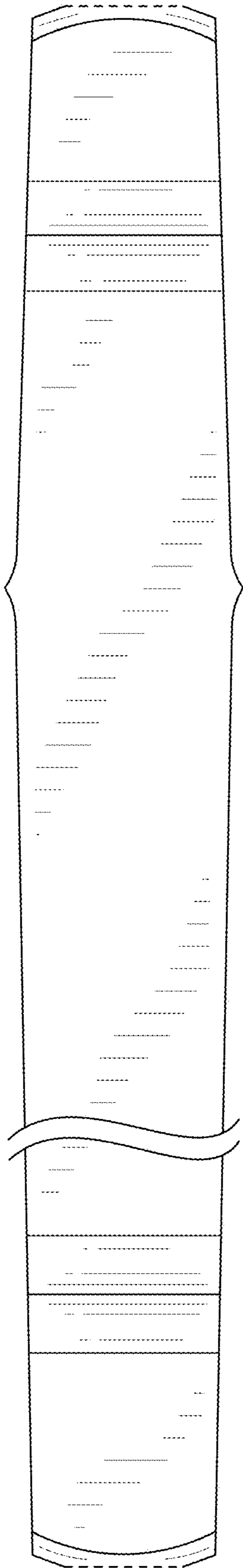


FIG. 6

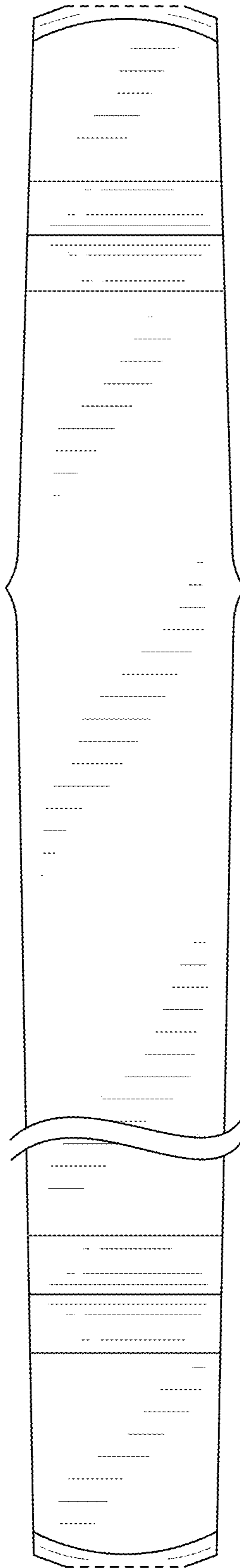


FIG. 7