



US00D968605S

(12) **United States Design Patent**
Chen

(10) **Patent No.:** **US D968,605 S**
(45) **Date of Patent:** **** Nov. 1, 2022**

(54) **NOSE AND EAR CLEANING DEVICE**

(71) Applicant: **Xiaolei Chen**, Beijing (CN)

(72) Inventor: **Xiaolei Chen**, Beijing (CN)

(**) Term: **15 Years**

(21) Appl. No.: **29/841,033**

(22) Filed: **Jun. 2, 2022**

(51) **LOC (13) Cl.** **24-02**

(52) **U.S. Cl.**
USPC **D24/147**

(58) **Field of Classification Search**
USPC D24/115, 127, 13, 133, 146, 147
CPC A61B 17/24; A61B 17/04; A61B 17/06;
A61F 11/00

See application file for complete search history.

(56) **References Cited**

U.S. PATENT DOCUMENTS

D490,523	S	*	5/2004	Samborski	D24/119
D525,365	S	*	7/2006	Mills	D21/604
D757,938	S		5/2016	Jackson		
D847,993	S	*	5/2019	Olson	A61F 11/006
						D24/147
D926,981	S	*	8/2021	Farzin	D24/147
2015/0127036	A1	*	5/2015	Farzin	A61F 11/006
						606/162
2016/0310154	A1	*	10/2016	Harkless	A61F 13/126
2017/0354541	A1	*	12/2017	Olson	A61F 11/006

OTHER PUBLICATIONS

X Kids Baby Booger Tool https://www.amazon.com/Cleaning-Newborns-Detachable-Aspirator-Alternative/dp/B0B5XN65QK/ref=sr_1_7?crid=DP09U622680E&keywords=nose+and+ear+cleaner+for+kids&qid=1661637159&prefix=nose+and+ear+cleaner+for+kid%2Caps%2C137&sr=8-7 Jul. 6, 2022 (Year: 2022).*

(Continued)

Primary Examiner — Samantha Q Lawrence

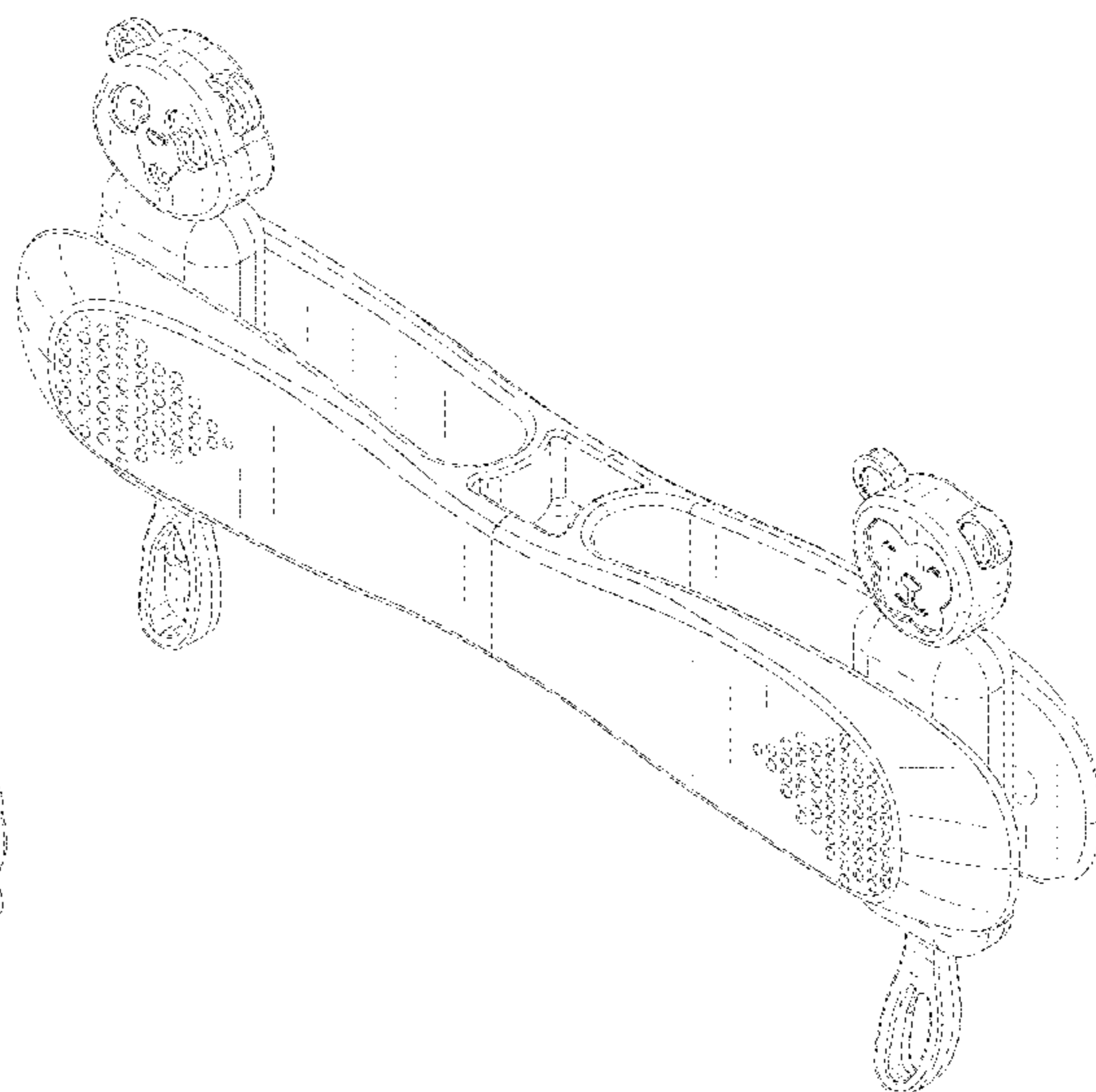
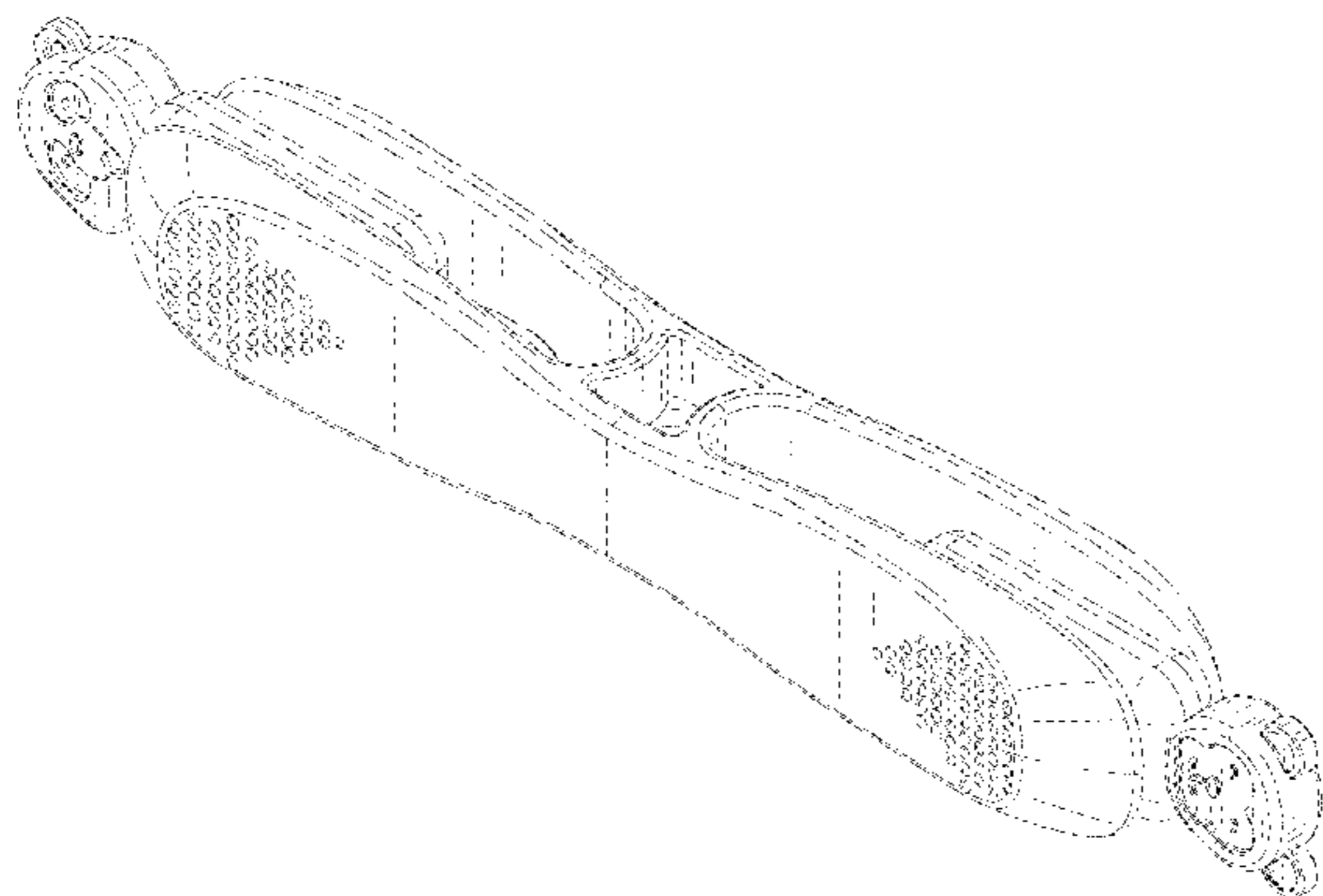
(57) **CLAIM**

The ornamental design for a nose and ear cleaning device, as shown and described.

DESCRIPTION

FIG. 1 is a perspective view of a nose and ear cleaning device;
 FIG. 2 is another perspective thereof, shown in an alternative position;
 FIG. 3 is another perspective view thereof, shown in an alternative position;
 FIG. 4 is a front and top perspective view of a first piece of the nose and ear cleaning device;
 FIG. 5 is a rear and bottom perspective view thereof;
 FIG. 6 is a front elevation view thereof;
 FIG. 7 is a rear elevation view thereof;
 FIG. 8 is a left side elevation view thereof;
 FIG. 9 is a right side elevation view thereof;
 FIG. 10 is a top plan view thereof;
 FIG. 11 is a bottom plan view thereof;
 FIG. 12 is a front and top perspective view of a second piece of the nose and ear cleaning device;
 FIG. 13 is a rear and bottom perspective view thereof;
 FIG. 14 is a front elevation view thereof;
 FIG. 15 is a rear elevation view thereof;
 FIG. 16 is a left side elevation view thereof;
 FIG. 17 is a right side elevation view thereof;
 FIG. 18 is a top plan view thereof;
 FIG. 19 is a bottom plan view thereof;
 FIG. 20 is a front and top perspective view of a third piece of the nose and ear cleaning device;
 FIG. 21 is a rear and bottom perspective view thereof;
 FIG. 22 is a front elevation view thereof;
 FIG. 23 is a rear elevation view thereof;
 FIG. 24 is a left side elevation view thereof;
 FIG. 25 is a right side elevation view thereof;
 FIG. 26 is a top plan view thereof; and,
 FIG. 27 is a bottom plan view thereof.

1 Claim, 27 Drawing Sheets



(56)

References Cited

OTHER PUBLICATIONS

Frida Baby 3 in 1 Picker https://www.amazon.com/FridaBaby-Picker-NoseFrida-SnotSucker-Boogers/dp/B087XRDRF6?source=ps-sl-shoppingads-lpcontext&ref_=fp1fs&psc=1&smid=ATVPDKIKX0DER Jul. 20, 2020 (Year: 2020).*

Oogie Bear [FuDaDaddy \[https://www.amazon.com/dp/B09WTJTRNK/ref=sspa_dk_detail_4?psc=1&pd_rd_i=B09WTJTRNK&pd_rd_w=16zPz\]\(https://www.amazon.com/dp/B09WTJTRNK/ref=sspa_dk_detail_4?psc=1&pd_rd_i=B09WTJTRNK&pd_rd_w=16zPz\)](https://www.amazon.com/dp/B07CZRHML9/ref=sspa_dk_detail_0?psc=1&pd_rd_i=B07CZRHML9&pd_rd_w=IRcAz&content-id=amzn1.sym.3be1c5b9-5b41-4830-a902-fa8556c19eb5&pf_rd_p=3be1c5b9-5b41-4830-a902- May 24, 2018 (Year: 2018).* products&sp_csd=d2lkZ2V0TmFtZT1zcF9kZXRhaWw&spLa=ZW5jcnlwdGVkUXVhbGlmaWVyPUEyWTNYNEpPM08zVTdVJmVuY3J5cHRIZEikPUEwMDIzMzA0MTRISTVQV1RXt05DTCZlbnNyeXB0ZWZWRBZEikPUEwODE3MjA2M04wV0tFWFBCV1JVTCZ3aWRnZXROYW1IPXNwX2RldGFpbCZlY3Rpb249Y2xpY2tSZWRpcmVjdCZkb05vdExvZ0NsaWNrPXRydWU= (Year: 2018).*</p>
</div>
<div data-bbox=)

&content-id=amzn1.sym.3be1c5b9-5b41-4830-a902-fa8556c19eb5&pf_rd_p=3be1c5b9-5b41-4830-a902-fa8556c19eb5&pf_rd_r=09QPNXDFTF06F1RAXXTH&pd_rd_wg= Mar. 30, 2022 (Year: 2022).*

HeVTN&pd_rd_r=1b30ddb9-2b76c3a80cf13&s=hpc&sp_csd=d2lkZ2V0TmFtZT1zcF9kZXRhaWw&spLa=ZW5jcnlwdGVkUXVhbGlmaWVyPUEwWUNPR1JTNUtKWjhUJmVuY3J5cHRIZEikPUEwODEyNTEyMzdBTIYSkZGV0YzRiZlbnNyeXB0ZWZWRBZEikPUEwNjQzODAwMUQ0MIplSIVWQ (Year: 2022).*

UpCVCZ3aWRnZXROYW1IPXNwX2RldGFpbCZlY3Rpb249Y2xpY2tSZWRpcmVjdCZkb05vdExvZ0NsaWNrPXRydWU= (Year: 2022).*

MorLike Living Baby Nose and Ear Cleaner [products&sprefix=two+in+one+ear+and+nose+clearer+toddle%2Cbaby-products%2C167&sr=1-17 Dec. 16, 2021 \(Year: 2021\).*](https://www.amazon.com/MORLIKE-LIVING-Flexible-Newborns-Essential/dp/B09NPLTRV3/ref=sr_1_17?crd=2EHI8KA76T8EJ&keywords=two+in+one+ear+and+nose+cleaner+toddlers&qid=1661639949&s=baby- Dec. 16, 2021 (Year: 2021).*</p>
</div>
<div data-bbox=)

* cited by examiner

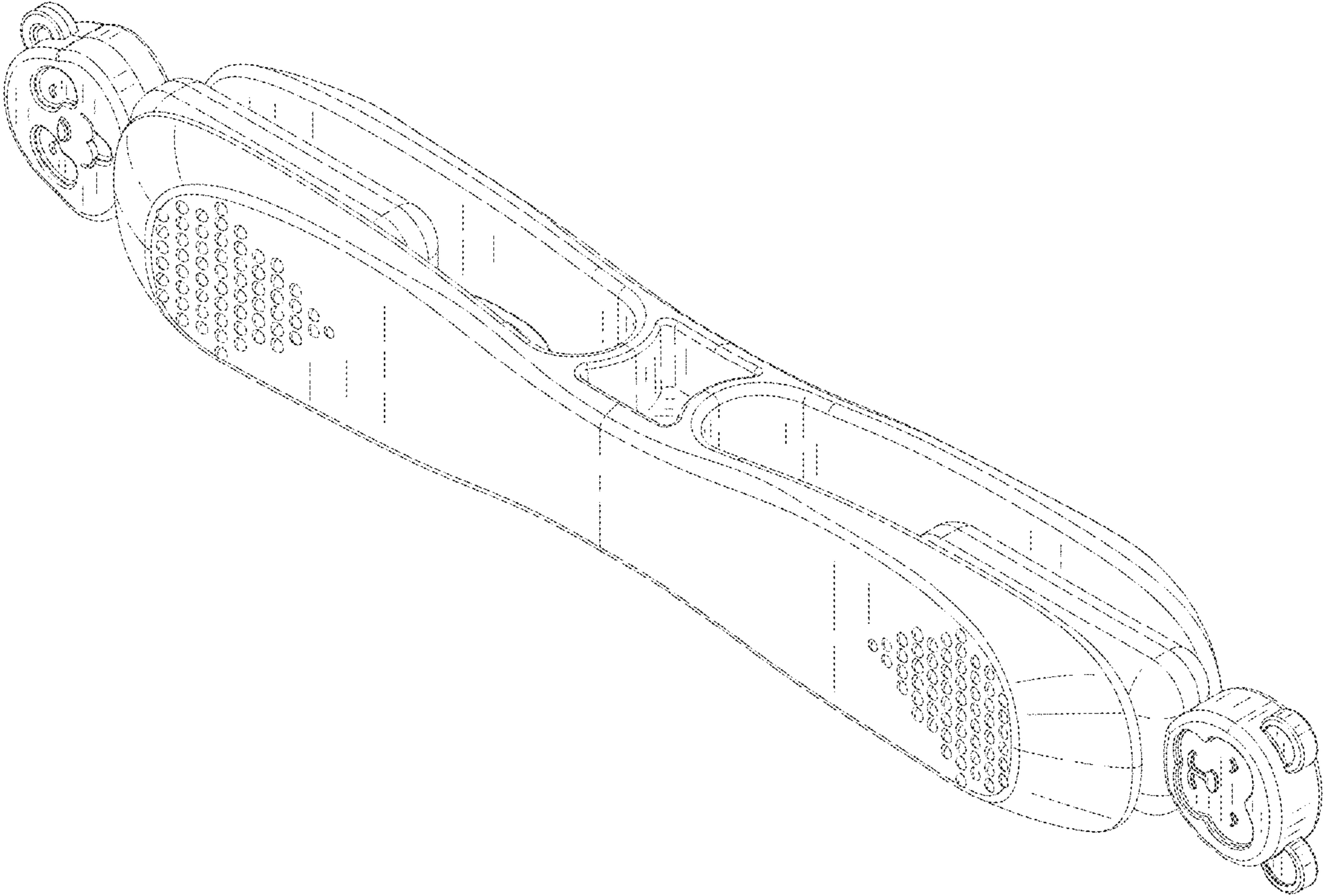


FIG. 1

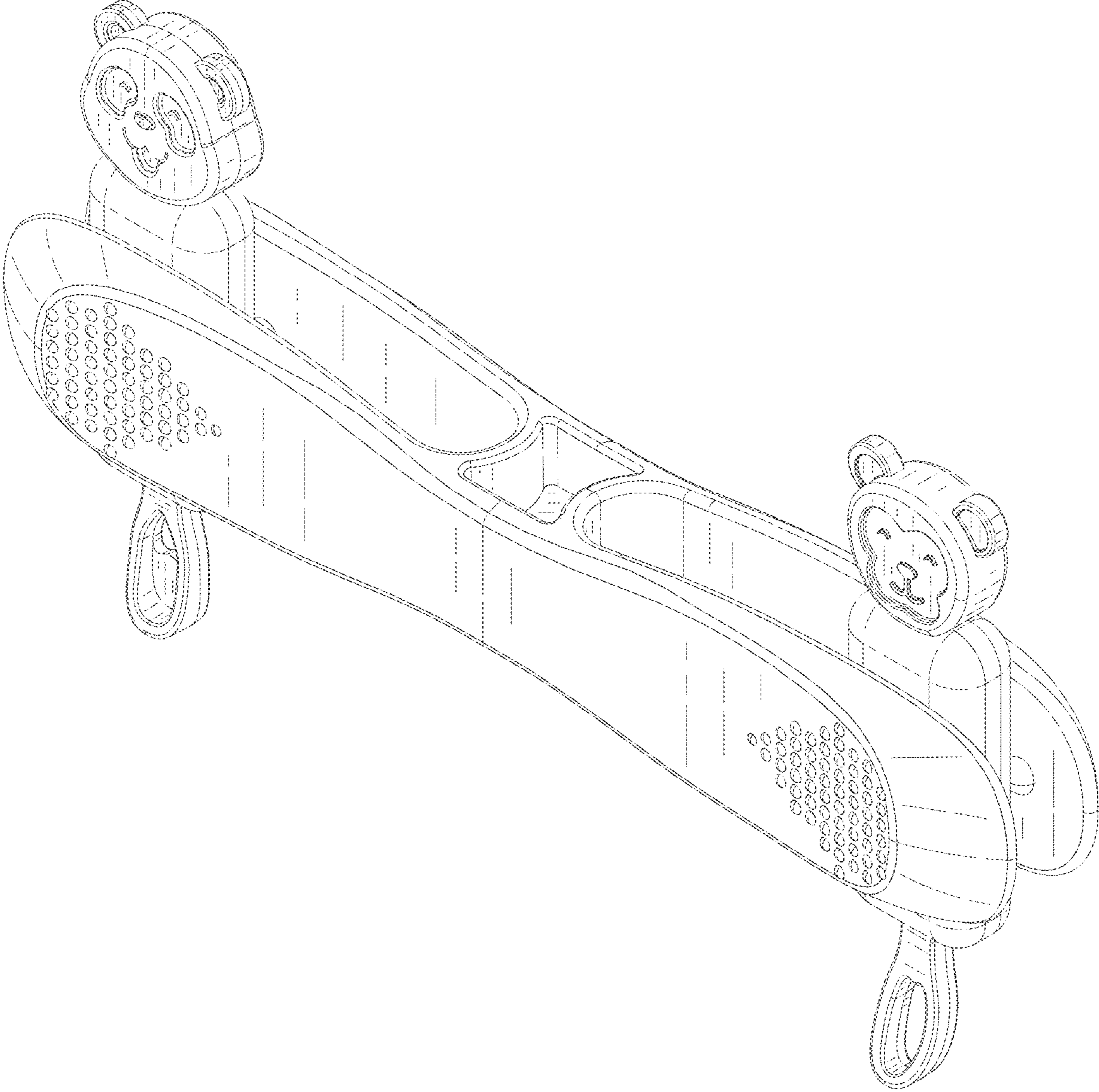


FIG. 2

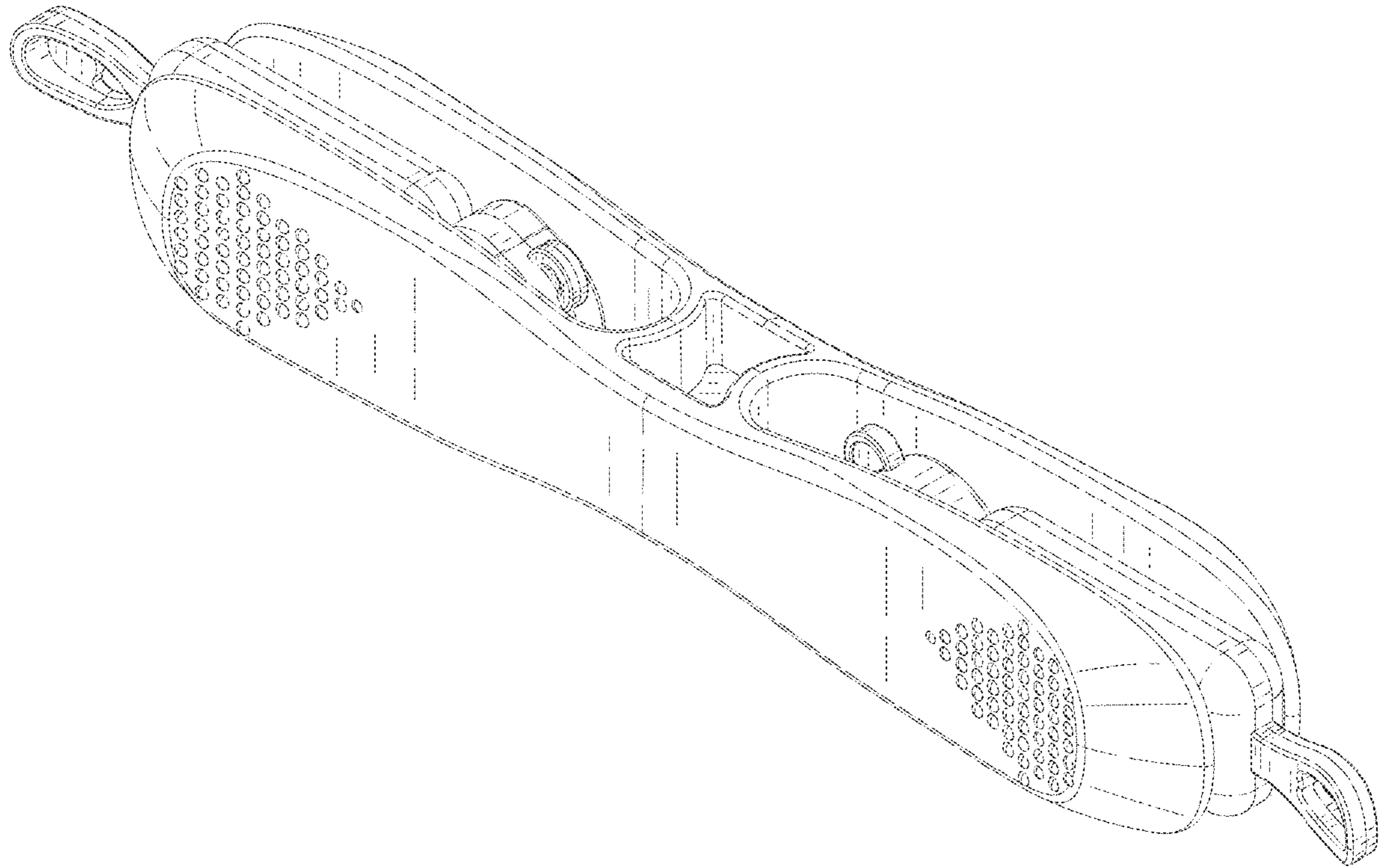


FIG. 3

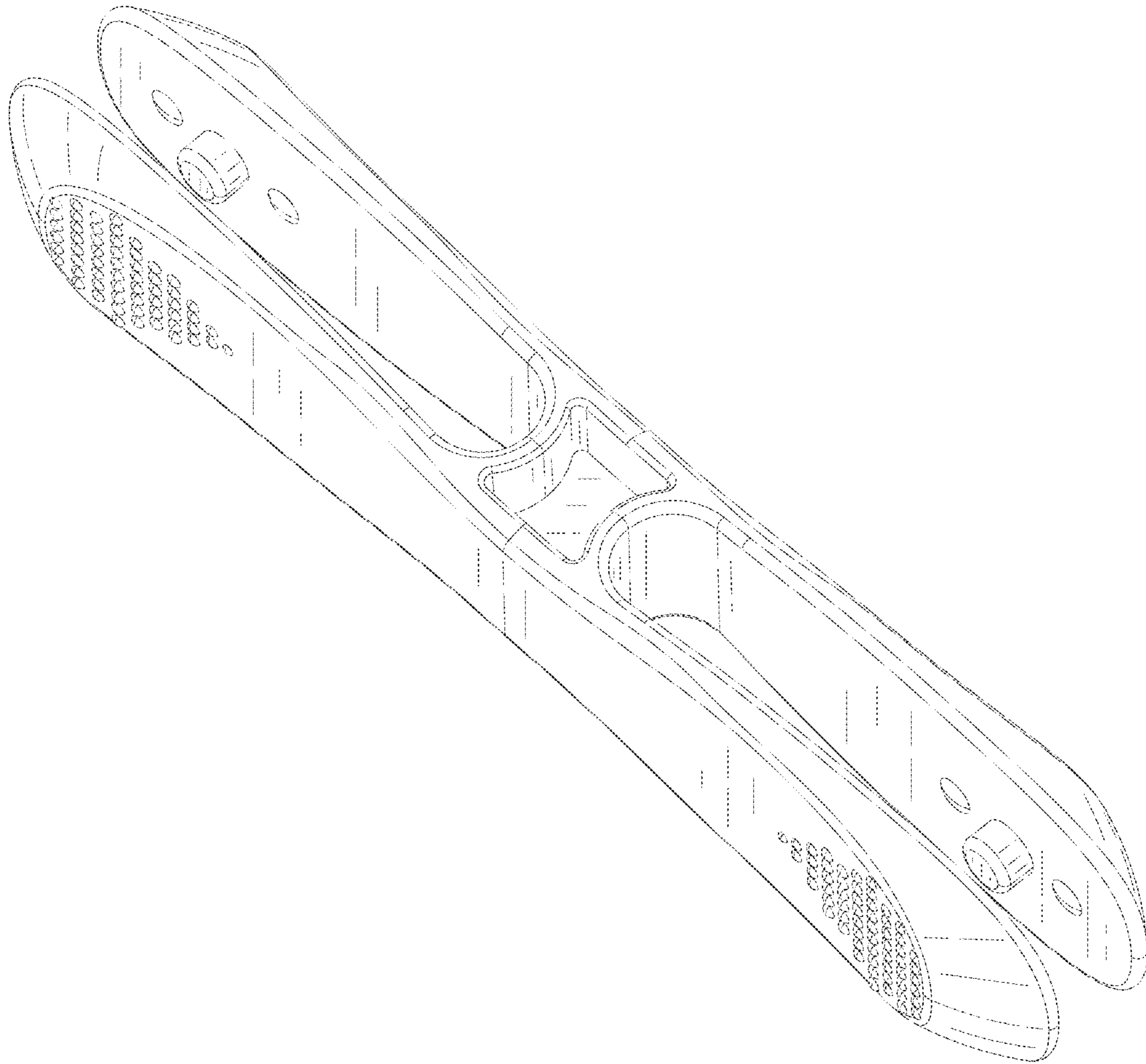


FIG. 4

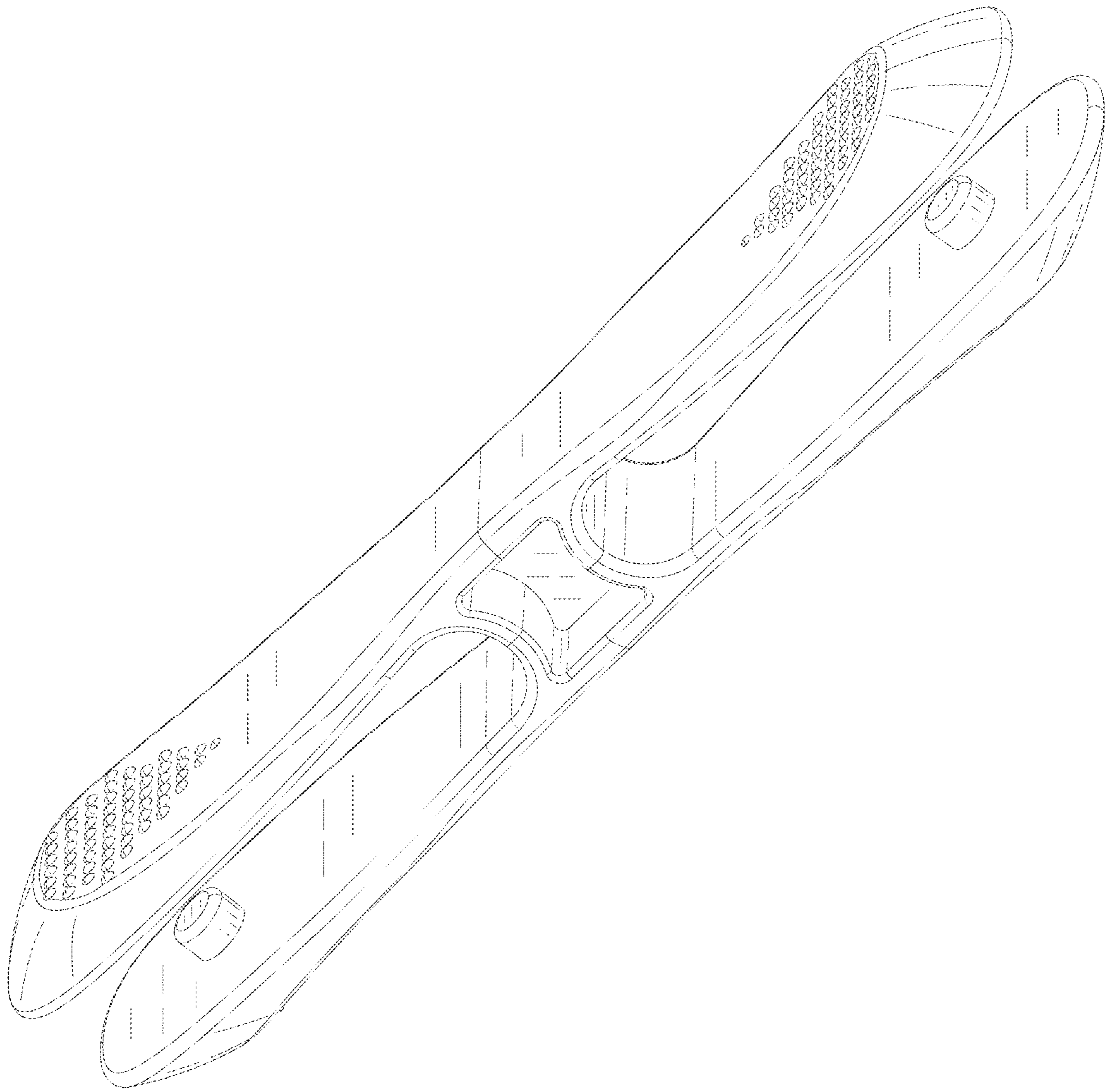


FIG. 5

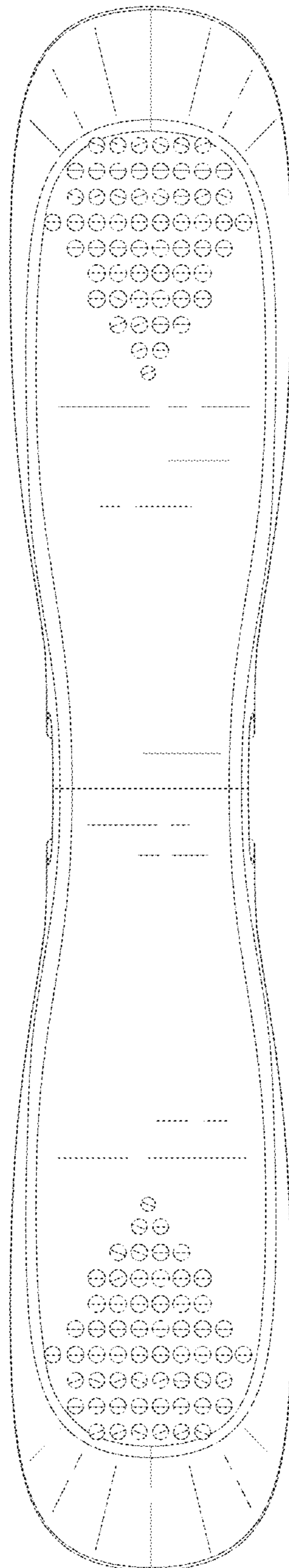


FIG. 6

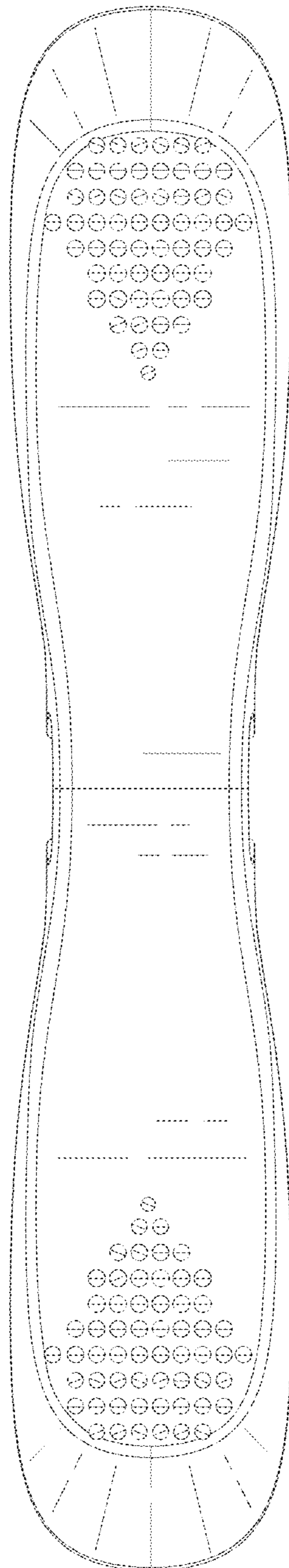


FIG. 7

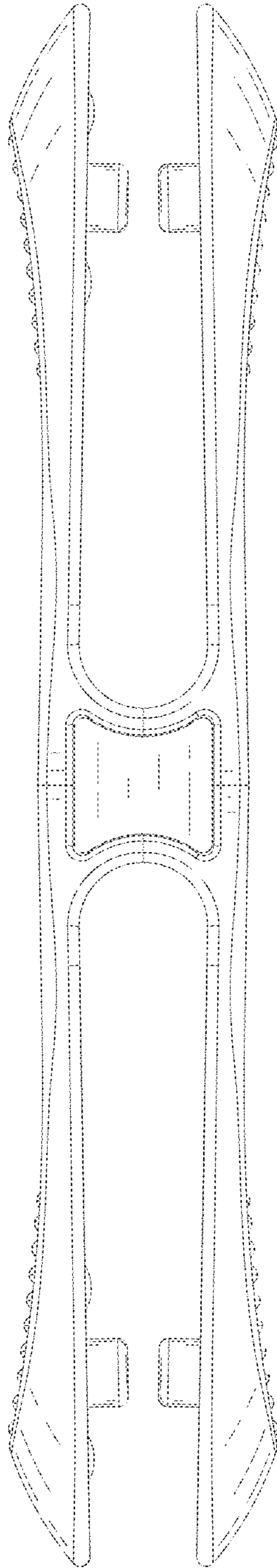


FIG. 8

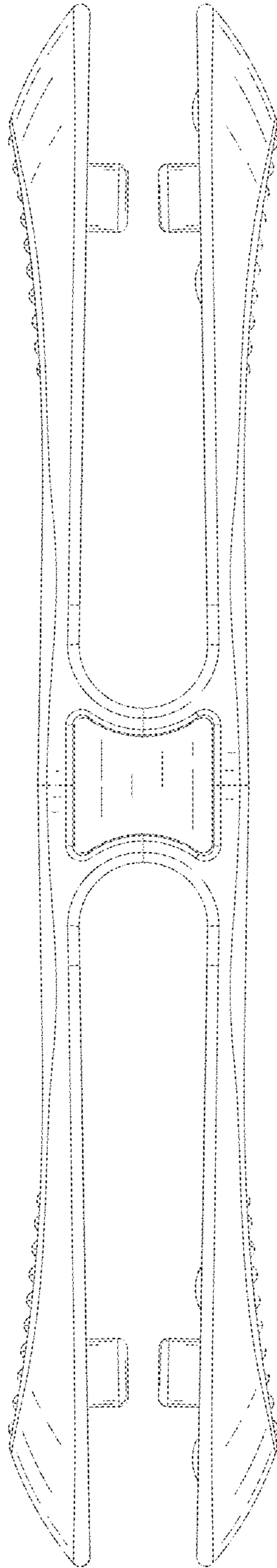


FIG. 9

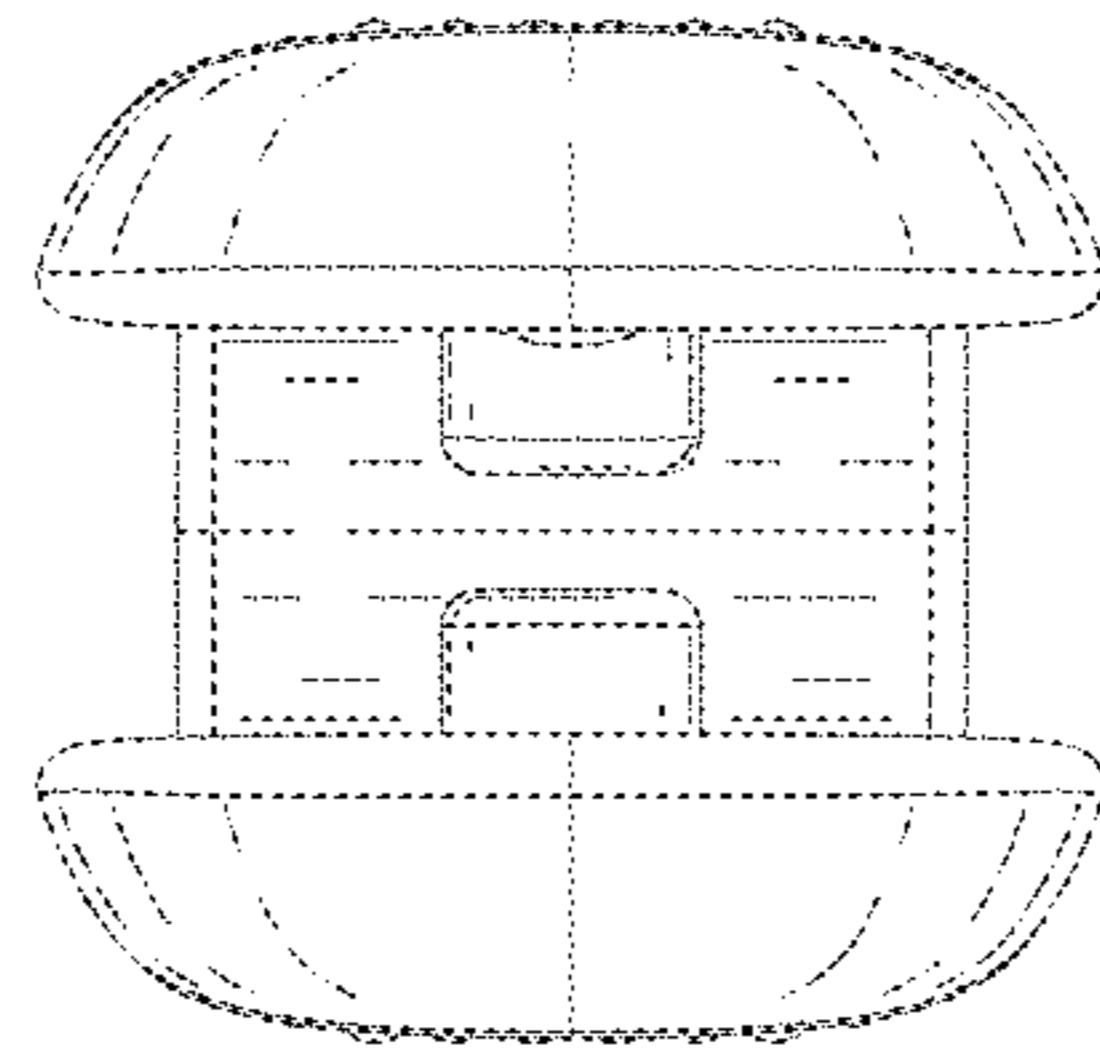


FIG. 10

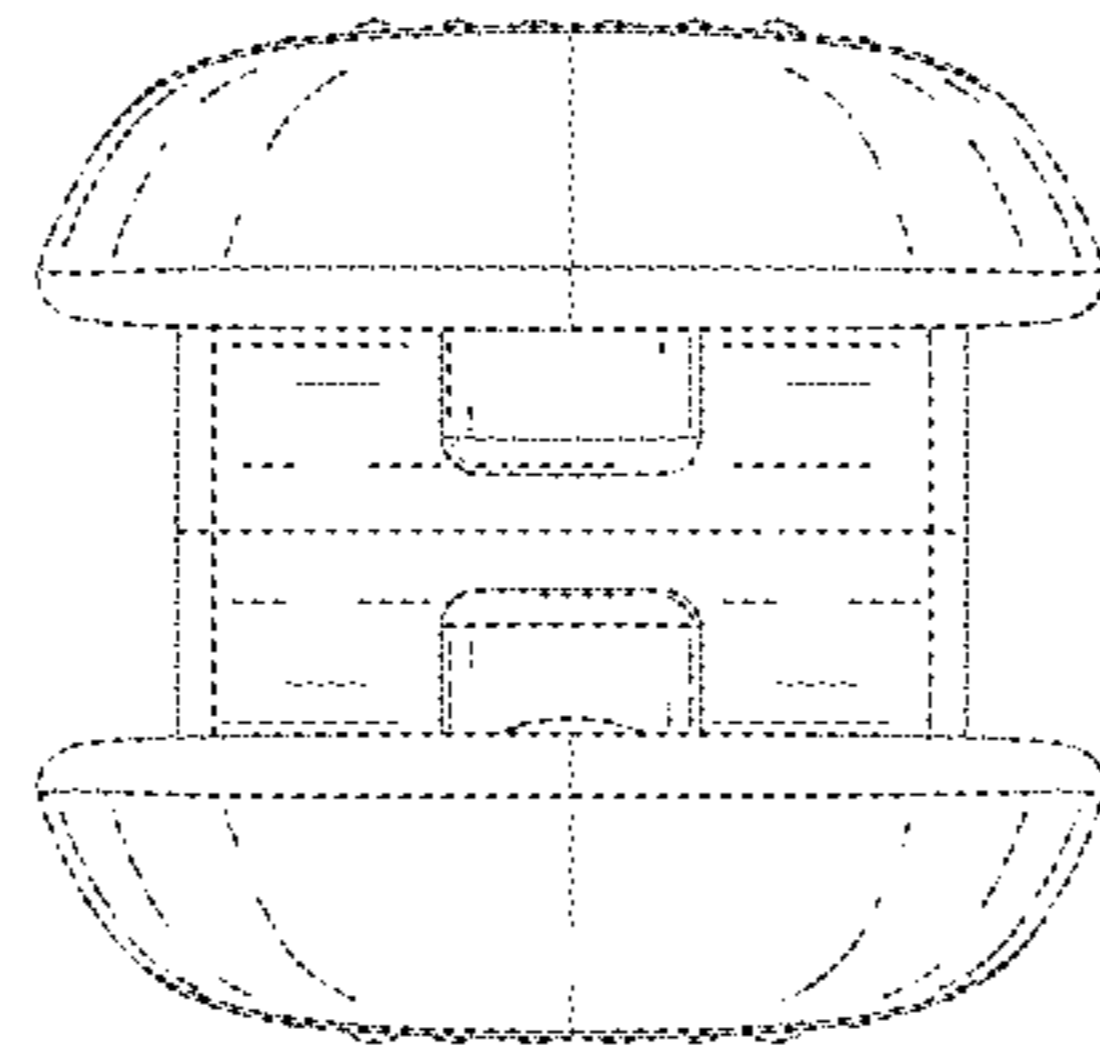


FIG. 11

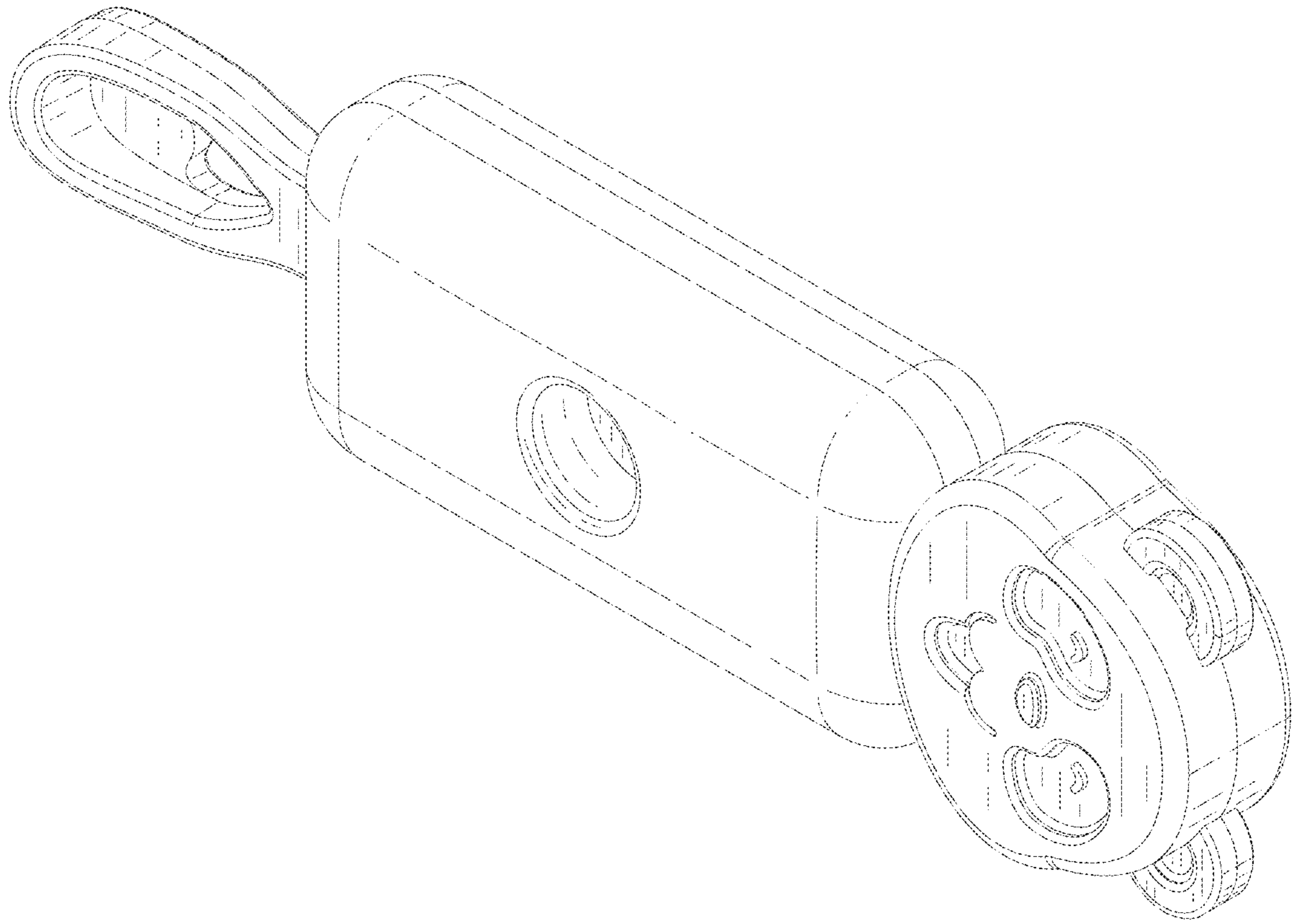


FIG. 12

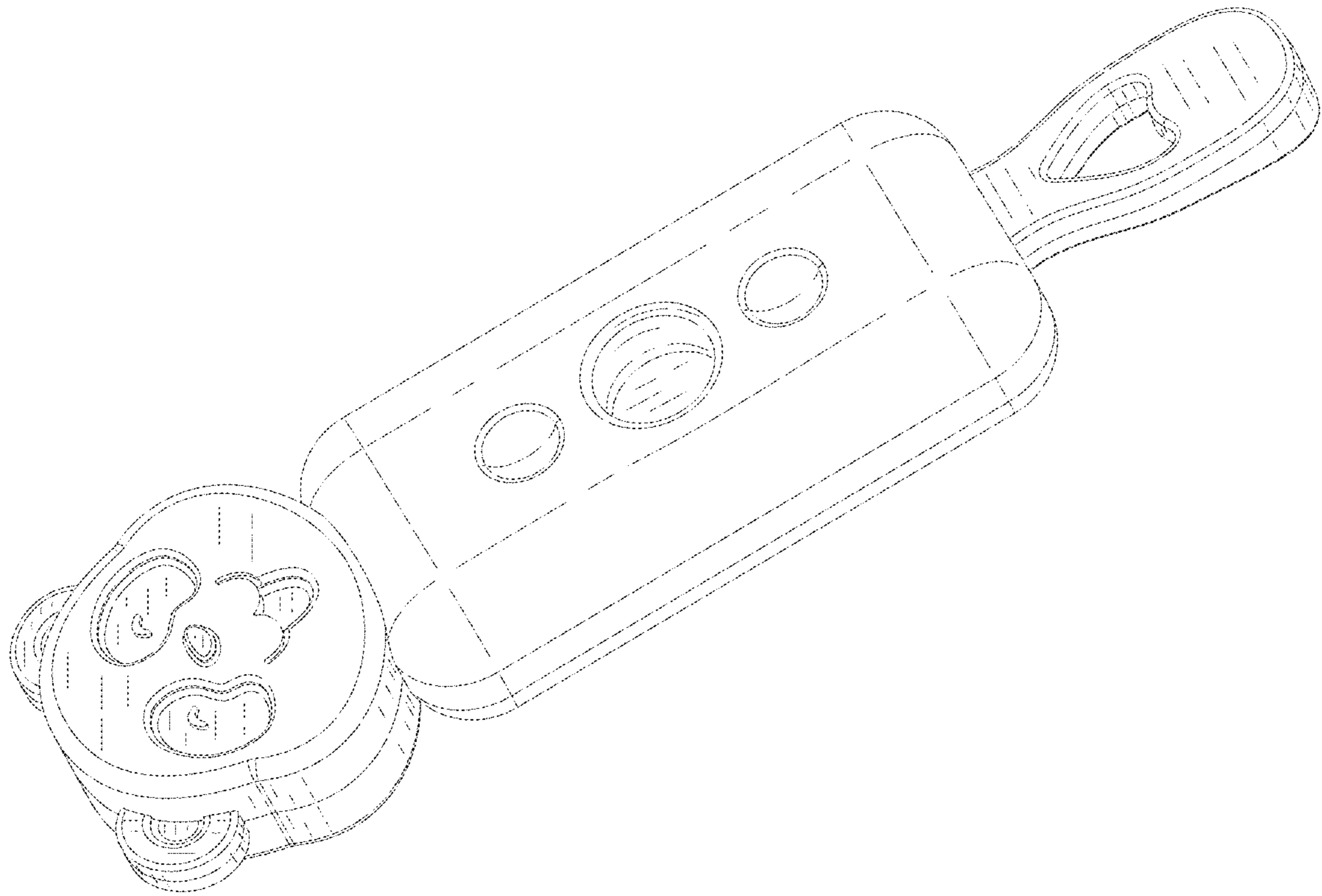


FIG. 13

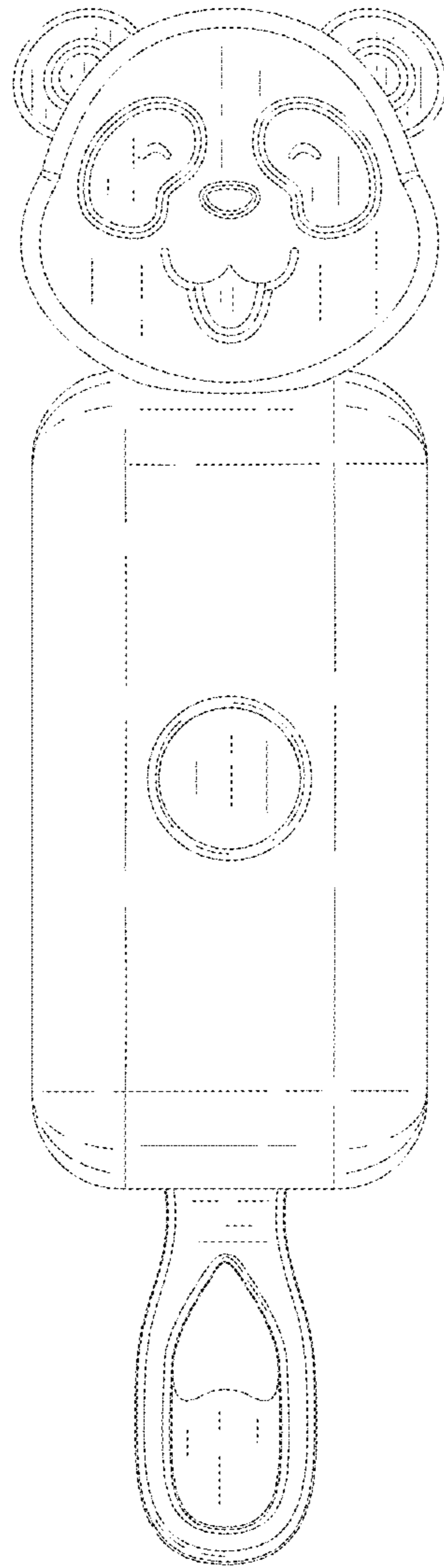


FIG. 14

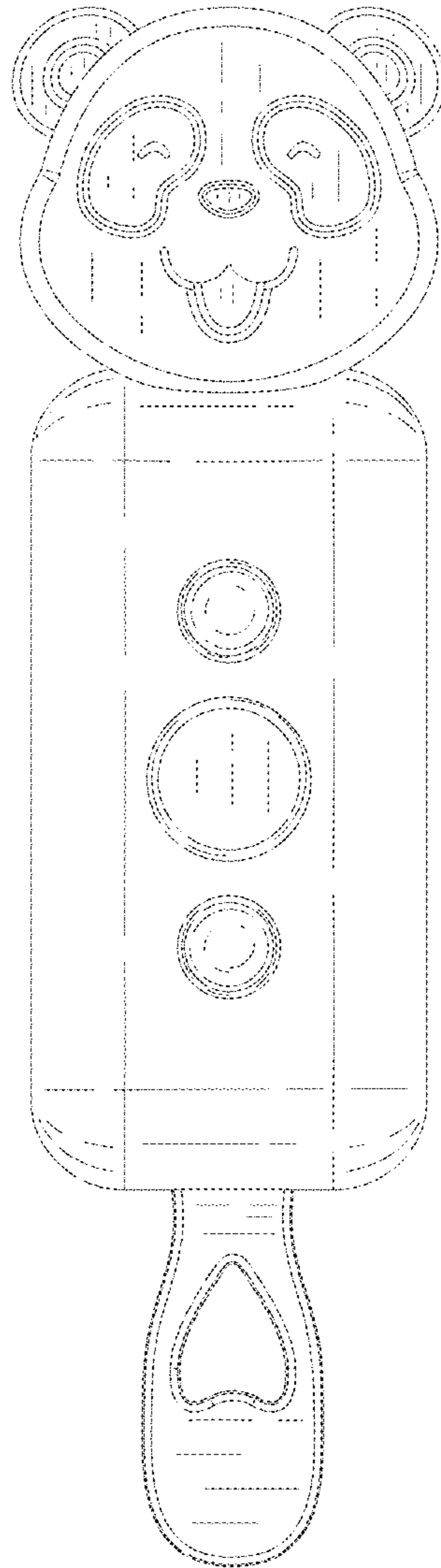


FIG. 15

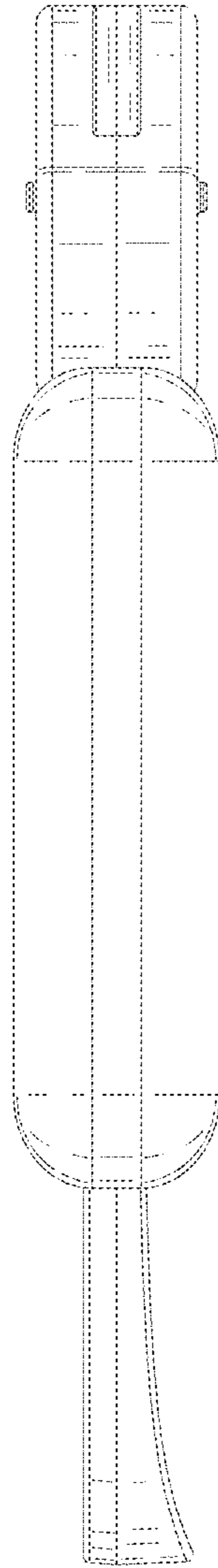


FIG. 16

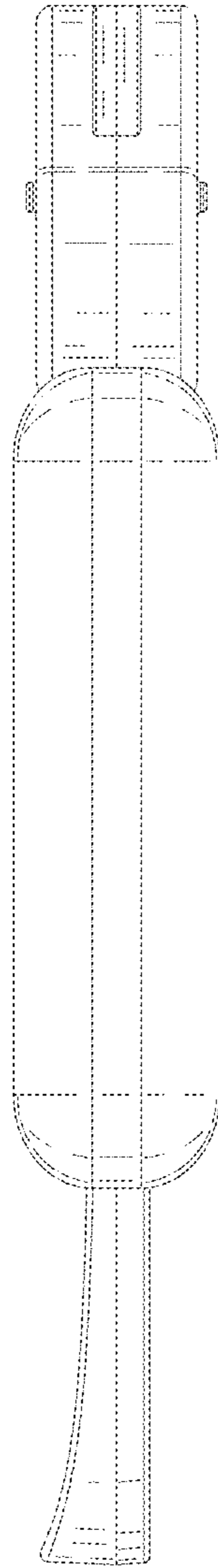


FIG. 17

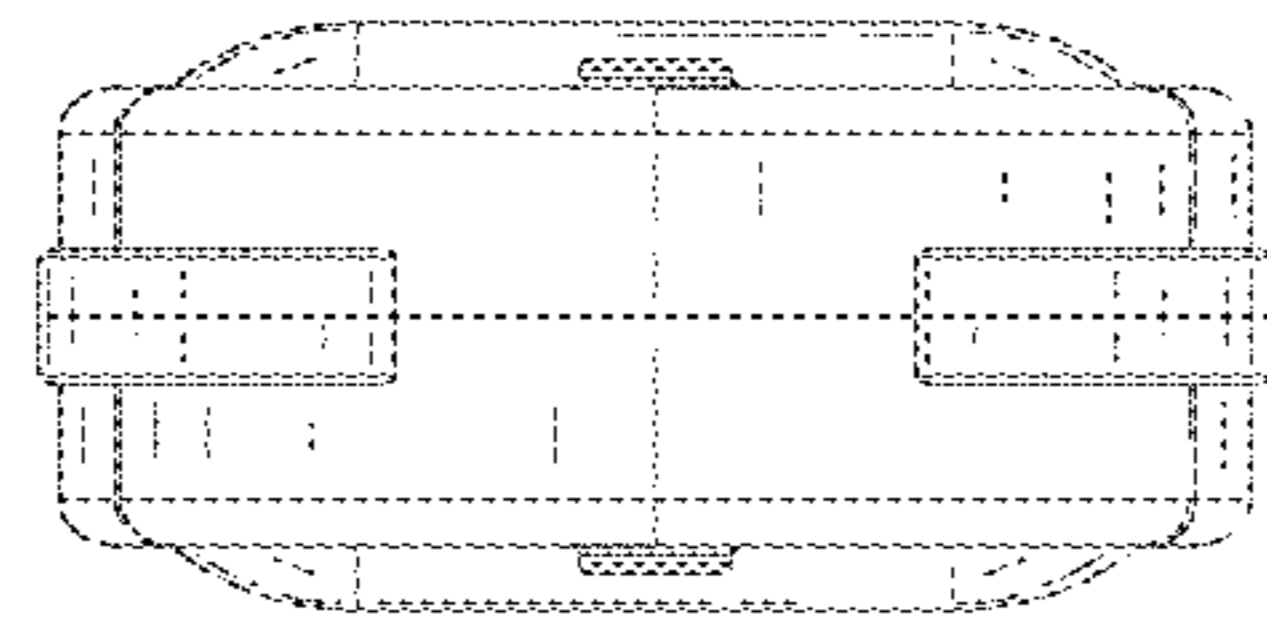


FIG. 18

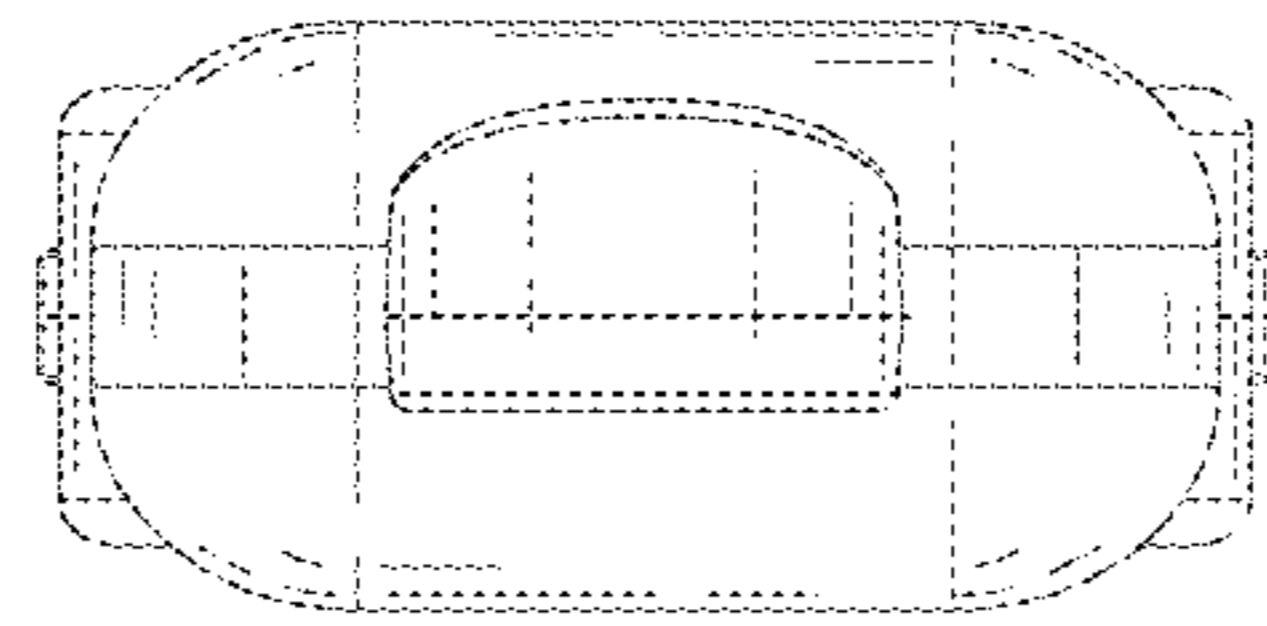


FIG. 19

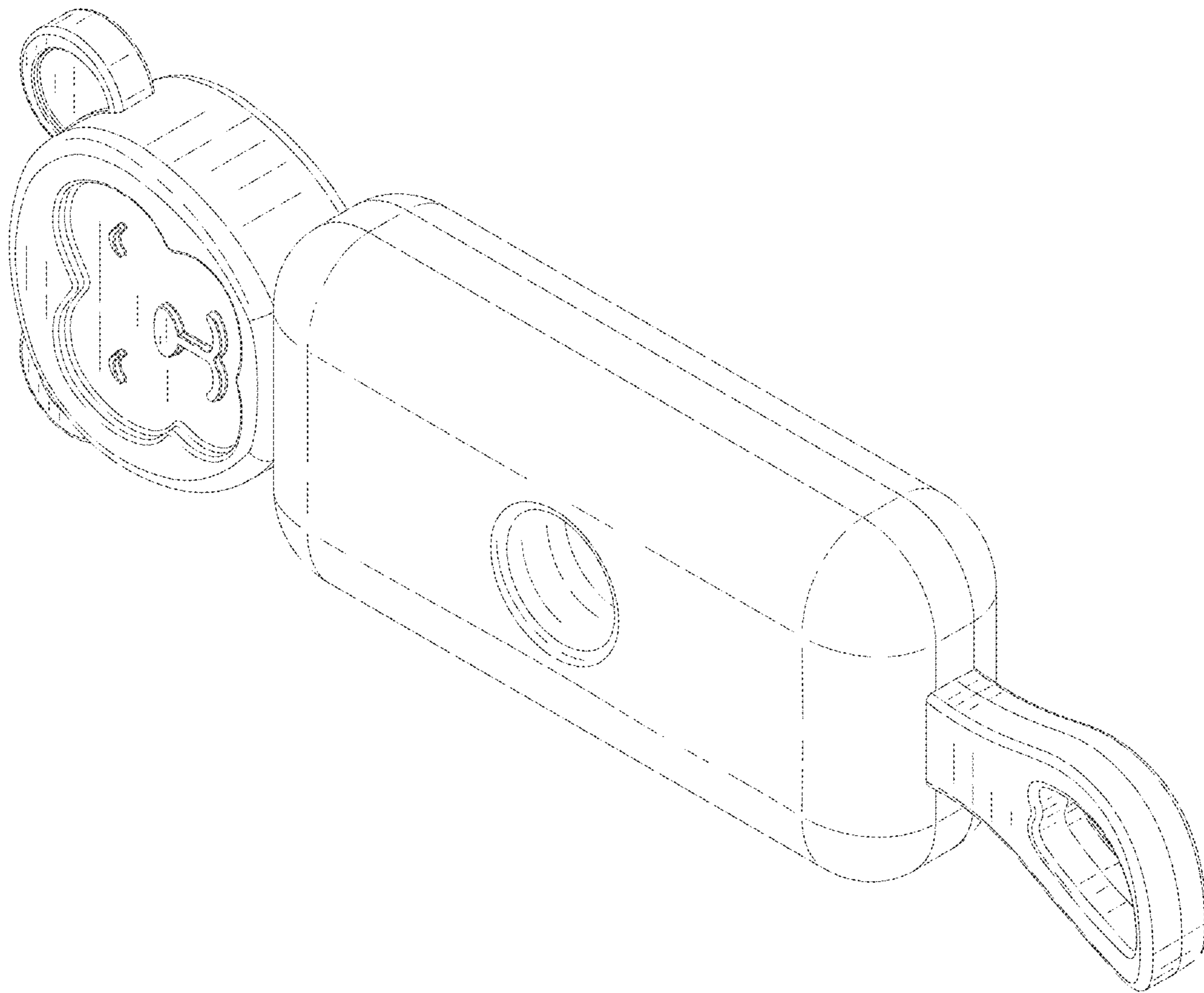


FIG. 20

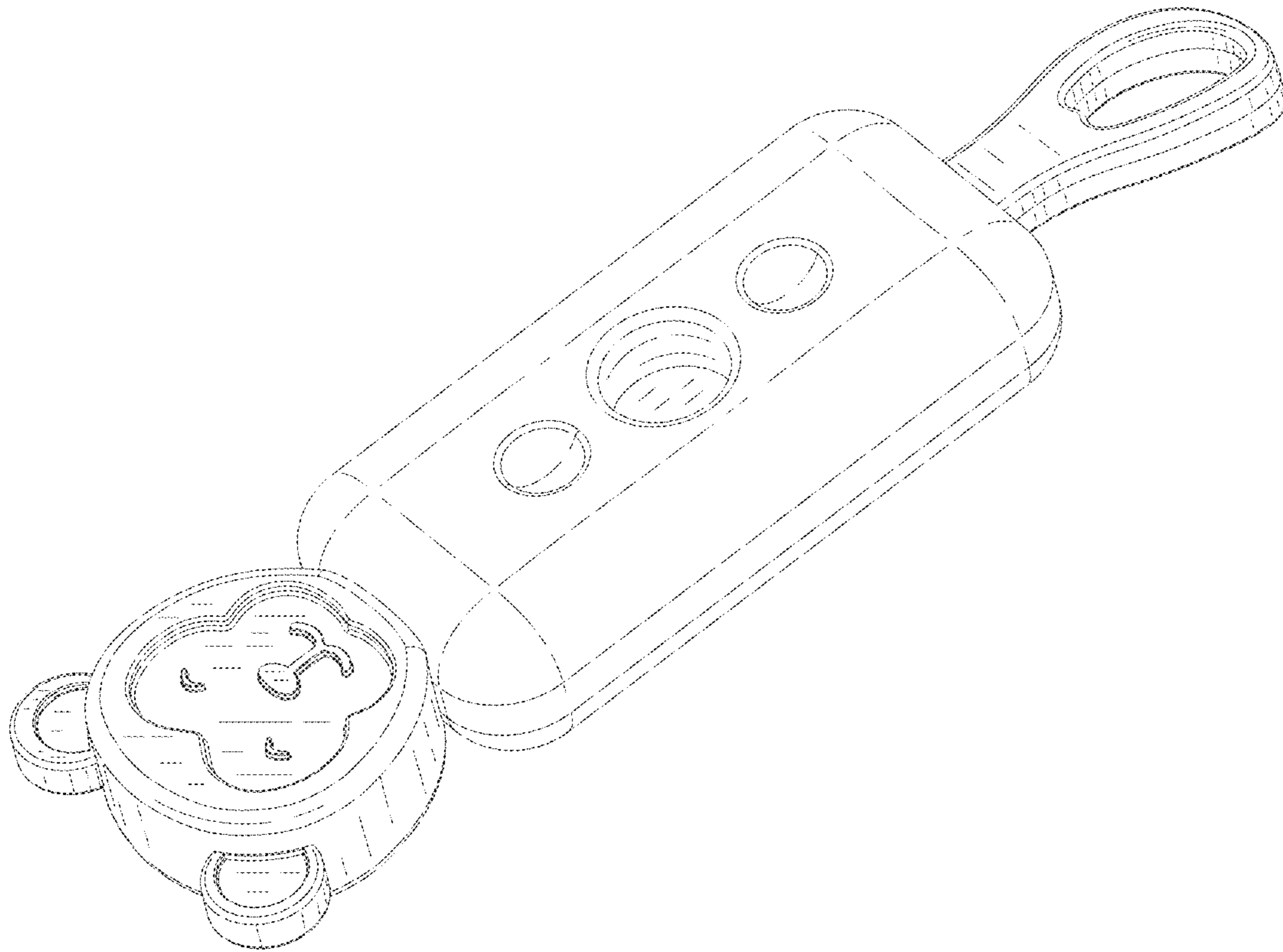


FIG. 21

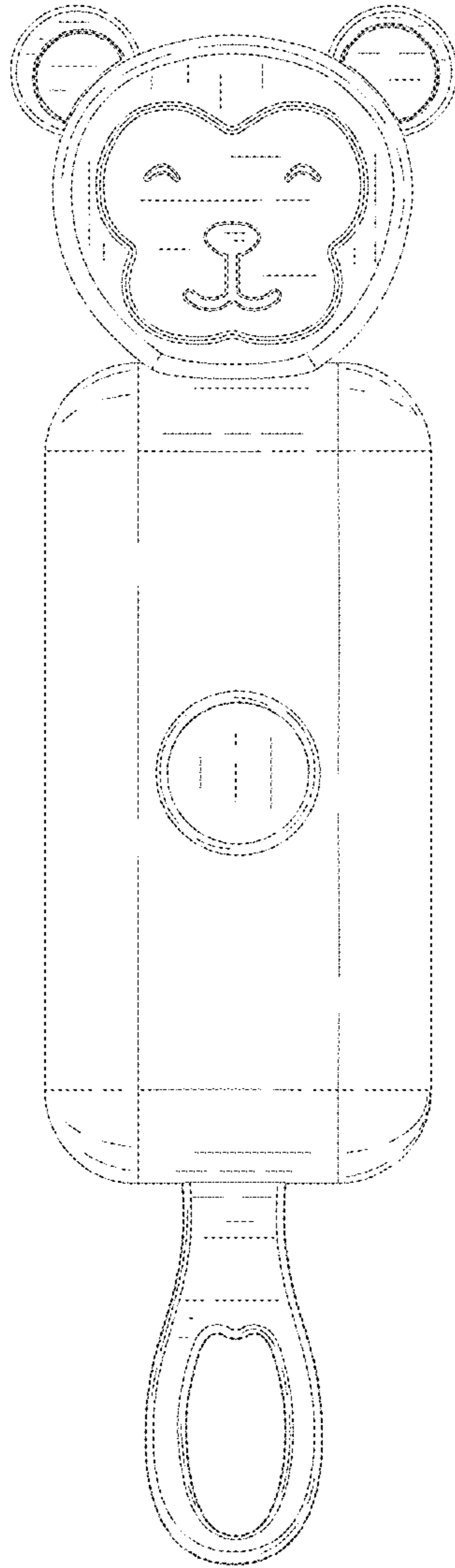


FIG. 22

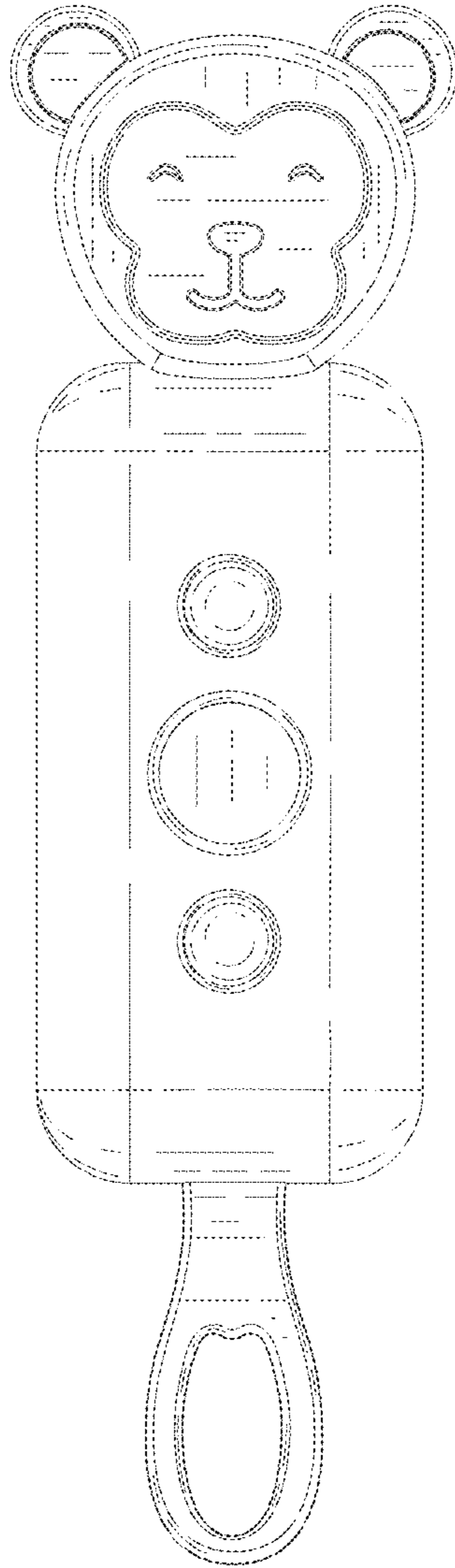


FIG. 23

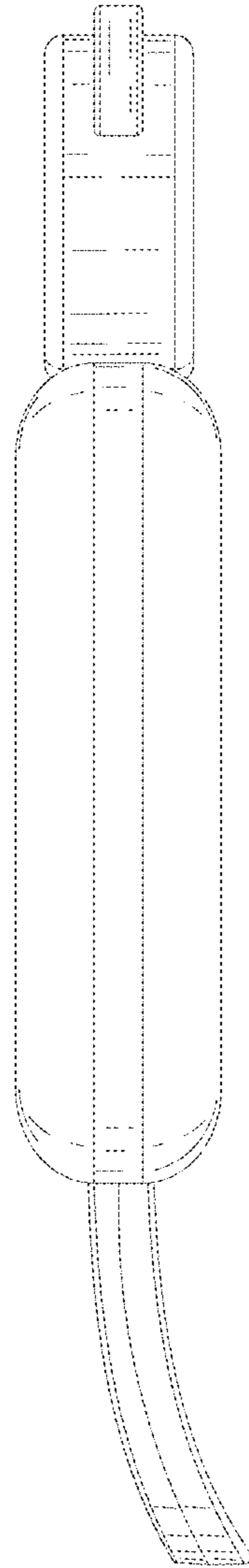


FIG. 24

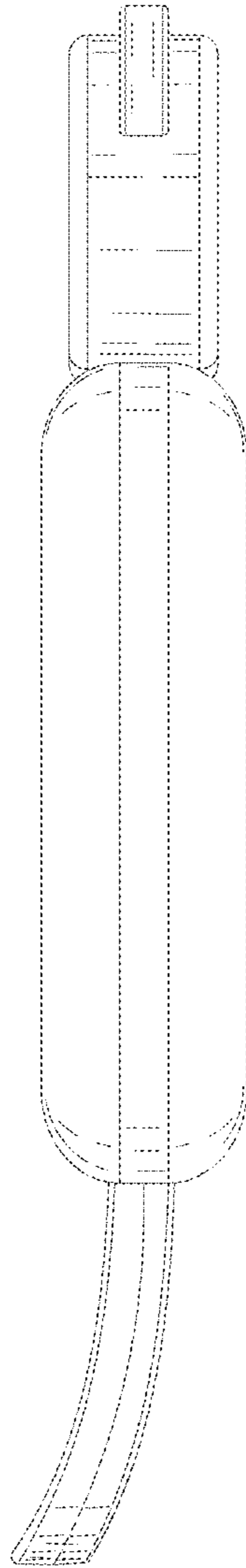


FIG. 25

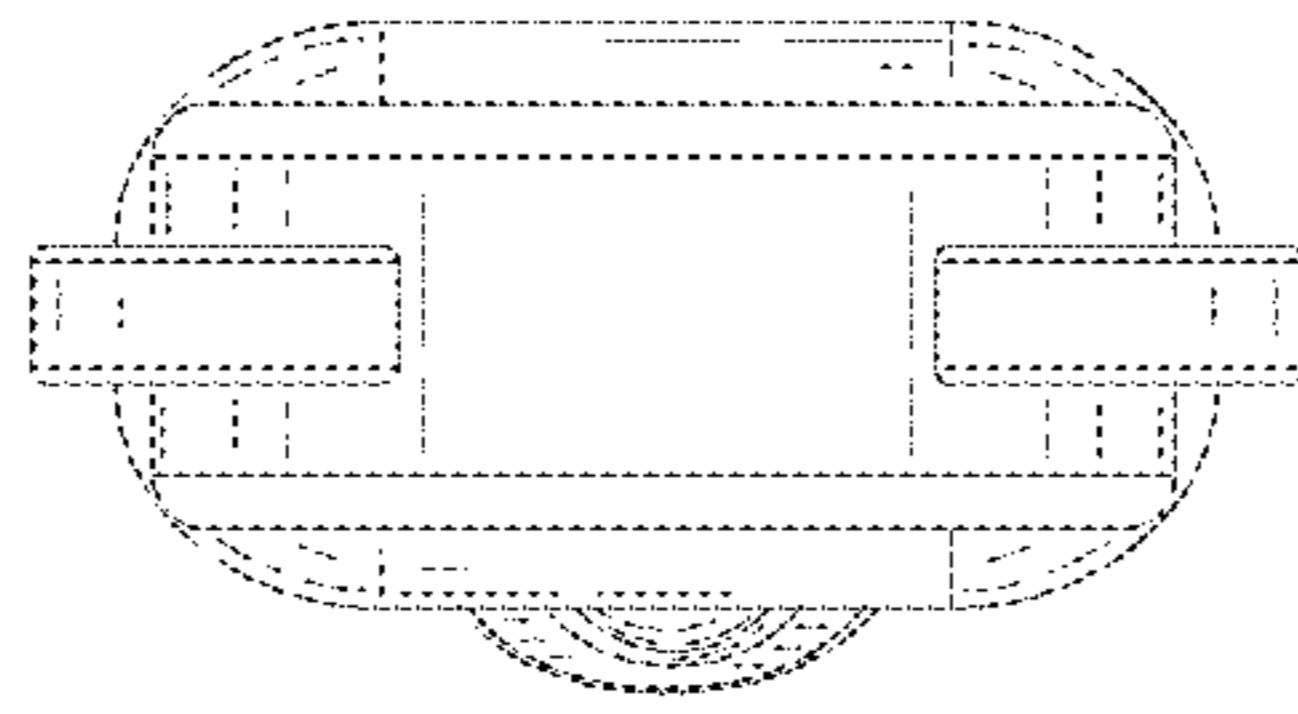


FIG. 26

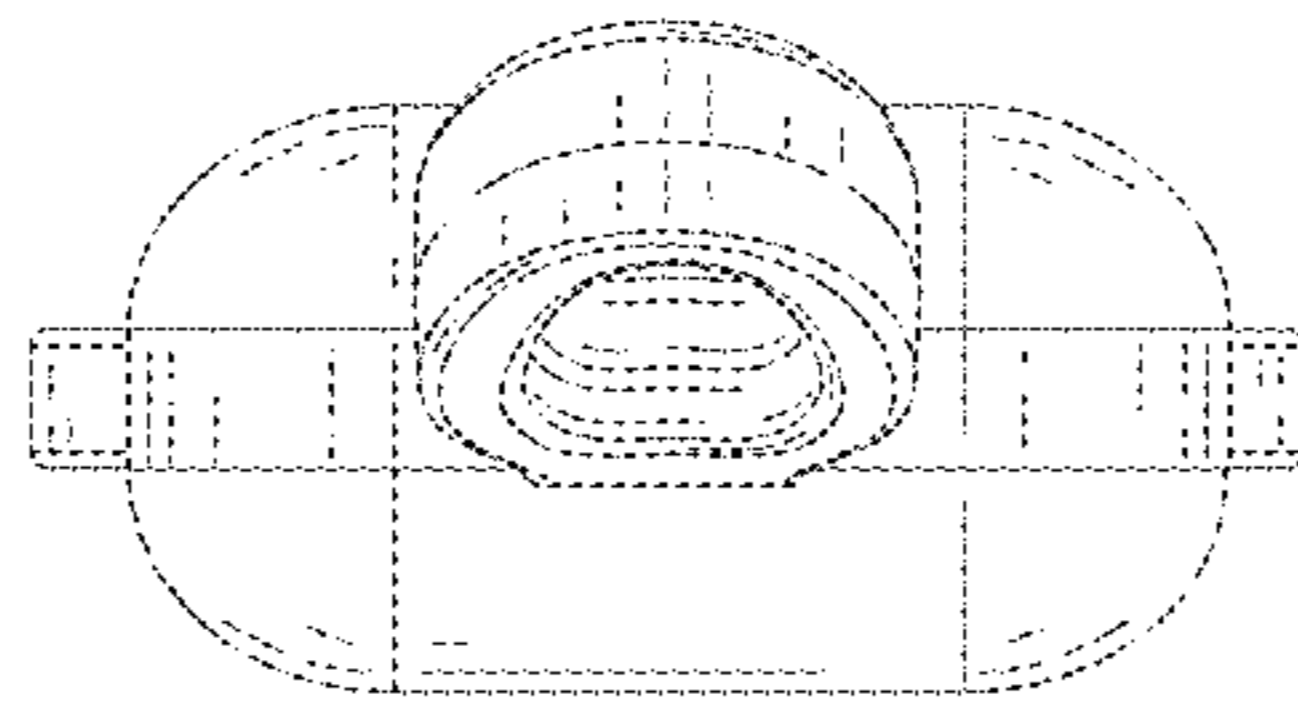


FIG. 27