



US00D968604S

(12) **United States Design Patent**
Grinberg

(10) **Patent No.:** **US D968,604 S**

(45) **Date of Patent:** **** Nov. 1, 2022**

(54) **DEVICE FOR VAGINAL TREATMENT**

(71) Applicant: **LUMENIS BE LTD.**, Yokneam (IL)

(72) Inventor: **Tal Grinberg**, Yokneam (IL)

(73) Assignee: **LUMENIS BE LTD.**

(**) Term: **15 Years**

(21) Appl. No.: **29/765,654**

(22) Filed: **Jan. 11, 2021**

(51) **LOC (13) Cl.** **24-02**

(52) **U.S. Cl.**
USPC **D24/146**

(58) **Field of Classification Search**
USPC D24/107, 112, 130, 133, 140, 141, 144,
D24/146, 186, 188, 200, 209, 214
CPC A61N 5/067; A61N 2005/0644; A61N
5/0601; A61N 2005/0611; A61N 5/0603
See application file for complete search history.

(56) **References Cited**

U.S. PATENT DOCUMENTS

5,401,248	A	*	3/1995	Bencini	A61M 39/06 251/149.3
D376,204	S	*	12/1996	Huculak	D24/146
D430,297	S	*	8/2000	Buck	D24/141
D430,669	S	*	9/2000	Buck	D24/141
D562,977	S	*	2/2008	Forlenza	D24/133
D621,506	S	*	8/2010	Khen	D24/107
D625,805	S	*	10/2010	Hereford	D24/129
D637,289	S	*	5/2011	Berberich	D24/146
D686,728	S	*	7/2013	Chen	D24/144
D691,263	S	*	10/2013	Chen	D24/144
D704,334	S	*	5/2014	Walthall, Jr.	D24/140
D731,649	S	*	6/2015	Lualdi	D24/146
D745,152	S	*	12/2015	Mayer	A61M 37/0076 D24/144
D746,455	S	*	12/2015	Mayer	A61M 37/0076 D24/144

D748,256	S	*	1/2016	Wagner	D24/140
D784,524	S	*	4/2017	Corbin	D24/127
D818,118	S	*	5/2018	Kelly	D24/112
D839,425	S	*	1/2019	Zanata	D24/144

(Continued)

FOREIGN PATENT DOCUMENTS

GB	6144546	*	6/2021
GB	6147804	*	7/2021
KR	300774661.0001	*	12/2014

OTHER PUBLICATIONS

[FemTouch On AcuPulse 360 For Women's Health], YouTube.com, Posted Jan. 25, 2017 [online], site visited: [Jun. 14, 2022], URL: <https://www.youtube.com/watch?v=iP_BM4ffbbE>. (Year: 2017).*

Primary Examiner — Jonathan J Han
Assistant Examiner — Amanda J Berlinski
(74) *Attorney, Agent, or Firm* — ISUS Intellectual Property; Anthony Jason Mirabito

(57) **CLAIM**

The ornamental design for a device for vaginal treatment, as shown and described.

DESCRIPTION

FIG. 1 is a rear perspective view of the new design for a device for vaginal treatment.

FIG. 2 is a front perspective view of the new design of FIG. 1.

FIG. 3 is a rear view of the new design of FIG. 1.

FIG. 4 is a front view of the new design of FIG. 1.

FIG. 5 is a left side view of the new design of FIG. 1.

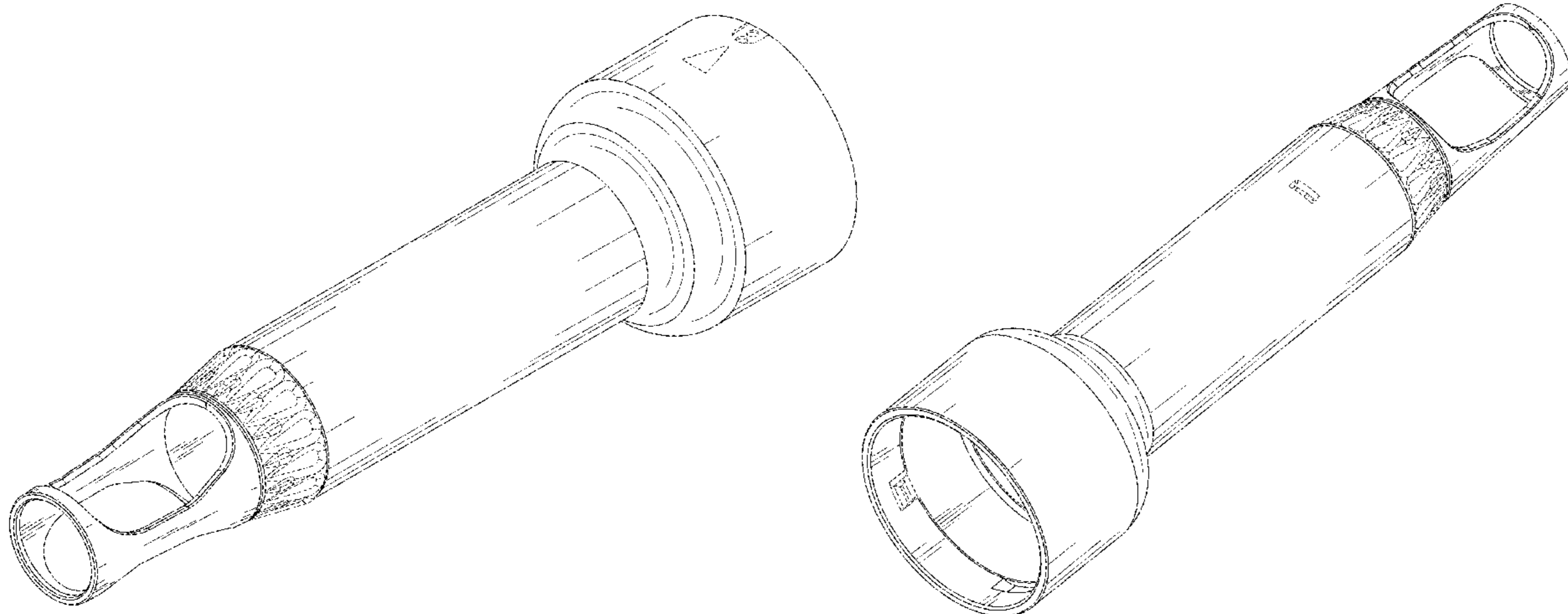
FIG. 6 is a right side view of the new design of FIG. 1.

FIG. 7 is a top view of the new design of FIG. 1; and,

FIG. 8 is a bottom view of the new design of FIG. 1.

The broken lines in the drawings illustrate portions of the device for vaginal treatment that form no part of the claimed design.

1 Claim, 8 Drawing Sheets



(56)

References Cited

U.S. PATENT DOCUMENTS

10,245,108 B2 * 4/2019 Ozer Armon G02B 13/04
 D874,000 S * 1/2020 Di Sessa D24/152
 10,524,863 B2 * 1/2020 Choye A61B 18/203
 D897,527 S * 9/2020 Zahler D24/133
 D899,594 S * 10/2020 Wang A61M 37/0076
 D24/144
 D901,685 S * 11/2020 Wang D24/146
 D902,402 S * 11/2020 Wang A61M 37/0076
 D24/144
 D912,818 S * 3/2021 Wang D24/144
 D915,589 S * 4/2021 Wang A61M 37/0076
 D24/144
 D921,196 S * 6/2021 Wang D24/133
 11,154,349 B2 * 10/2021 Parmer A61B 18/1233
 D943,744 S * 2/2022 Yang D24/144
 2005/0223482 A1 * 10/2005 Colombi A61M 3/0208
 4/420.1
 2013/0226211 A1 * 8/2013 Xiao A61M 37/0076
 606/186

2013/0304164 A1 * 11/2013 Zanata A61N 5/0616
 607/89
 2013/0317571 A1 * 11/2013 Gerlitz B23K 26/0096
 607/89
 2014/0052029 A1 * 2/2014 Khen A61H 7/008
 601/2
 2014/0148878 A1 * 5/2014 Khatri A61B 18/1485
 607/108
 2016/0045757 A1 * 2/2016 Groseth A61K 41/0061
 604/20
 2016/0158573 A1 * 6/2016 Masotti A61B 18/1485
 600/407
 2017/0072179 A1 * 3/2017 Lanzetta A61N 5/062
 2017/0128130 A1 * 5/2017 Giraud A61H 1/008
 2017/0209707 A1 * 7/2017 Casalino A61N 1/06
 2018/0280087 A1 * 10/2018 Arcusa Villacampa
 A61N 5/0616
 2019/0125448 A1 * 5/2019 Zipper A61B 18/1402
 2020/0330288 A1 * 10/2020 Duensing A61F 13/26
 2021/0353952 A1 * 11/2021 Coren A61N 5/0613

* cited by examiner

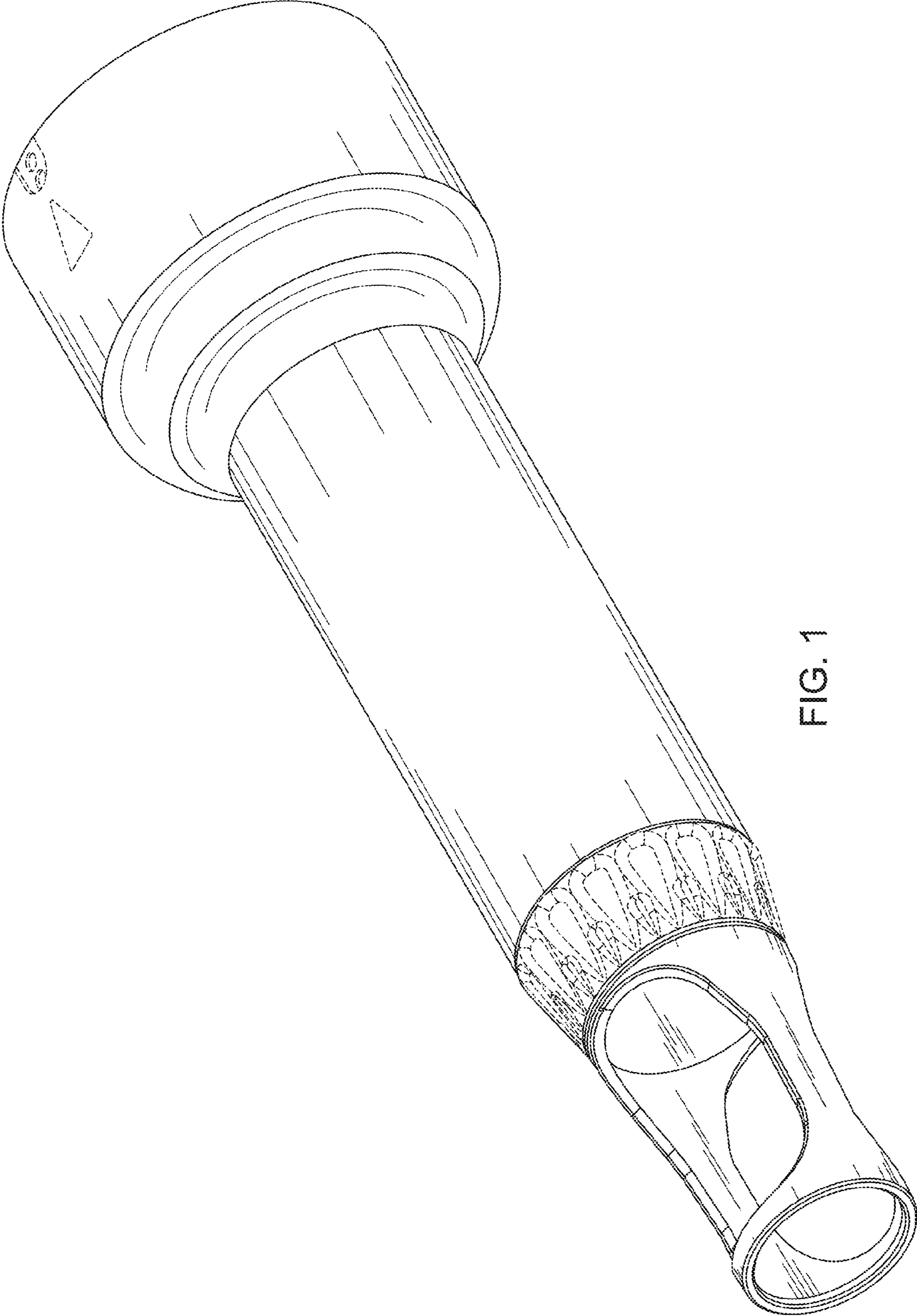


FIG. 1

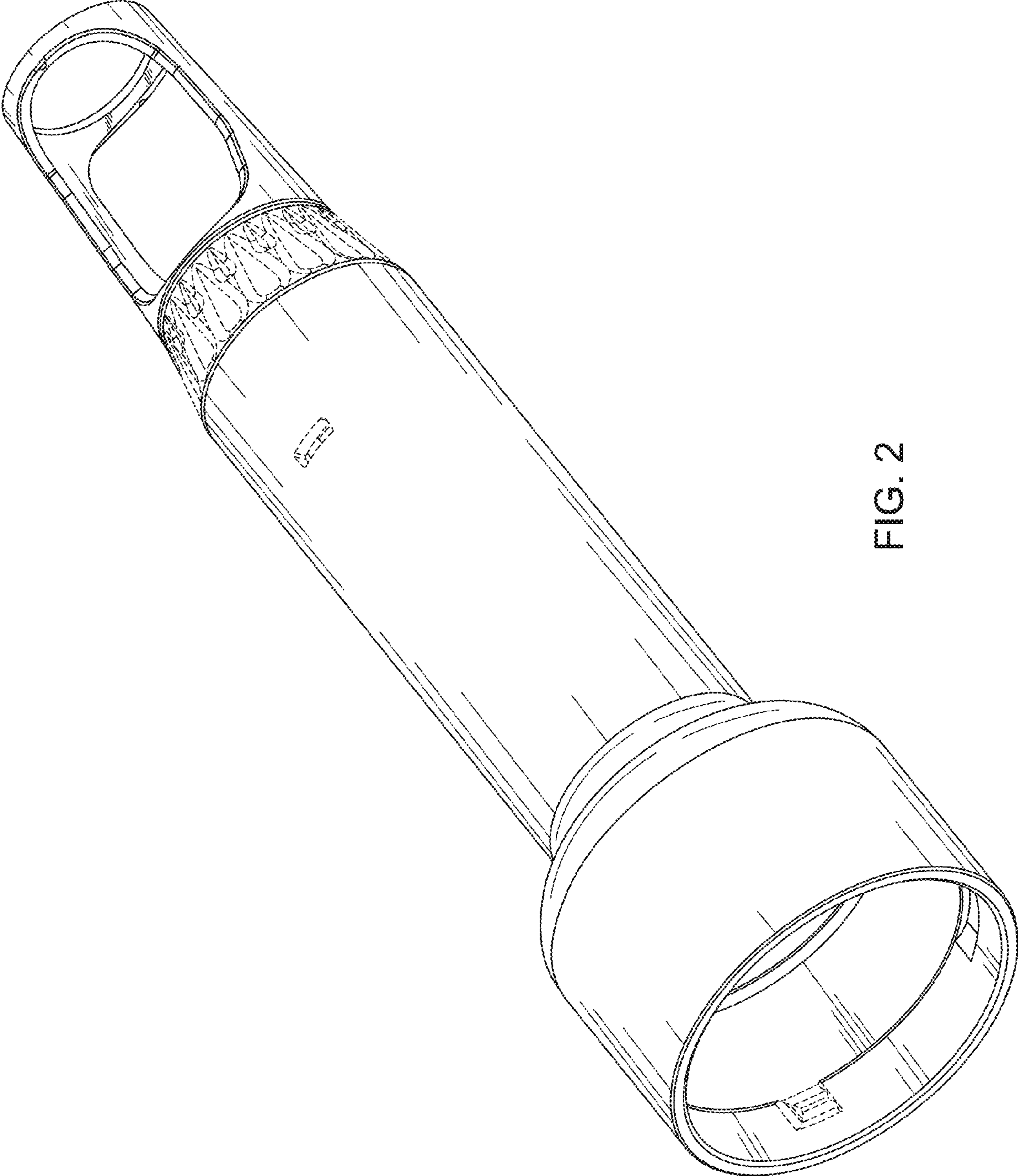


FIG. 2

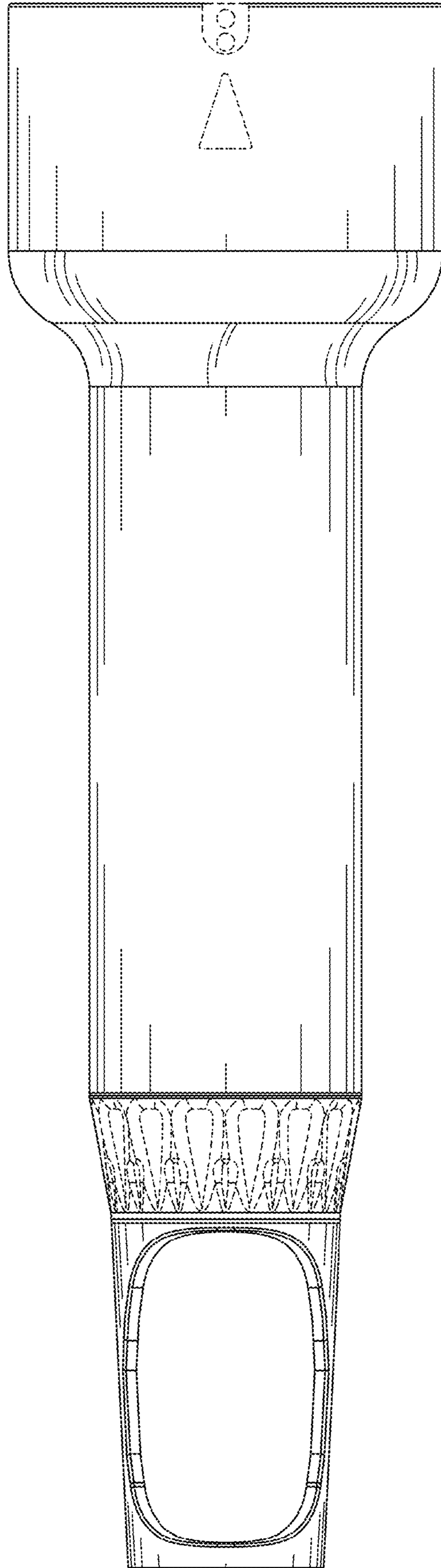


FIG. 3

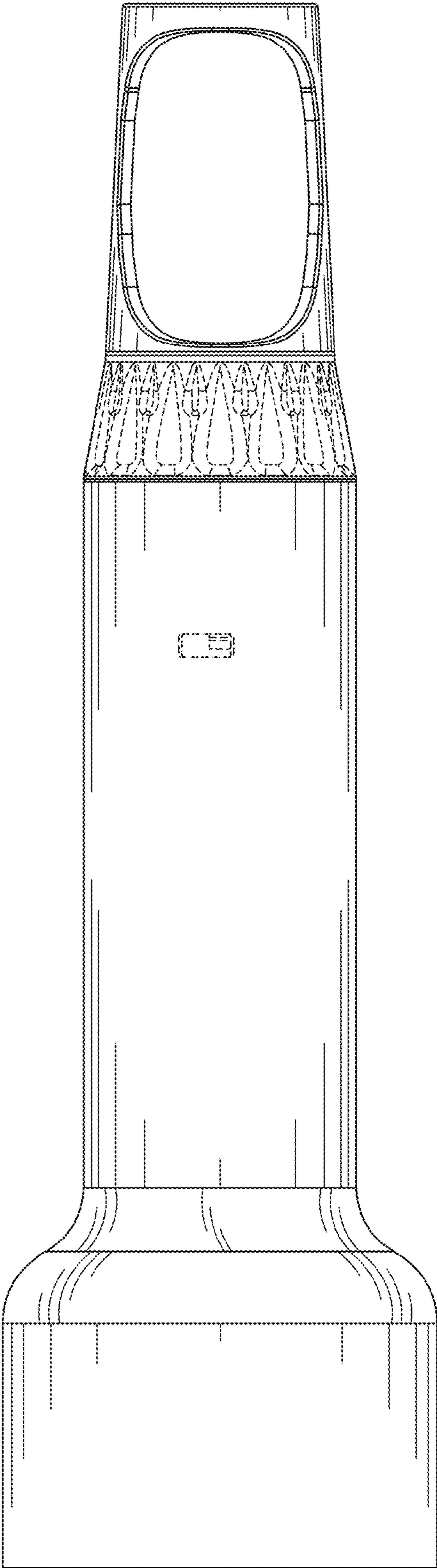


FIG. 4

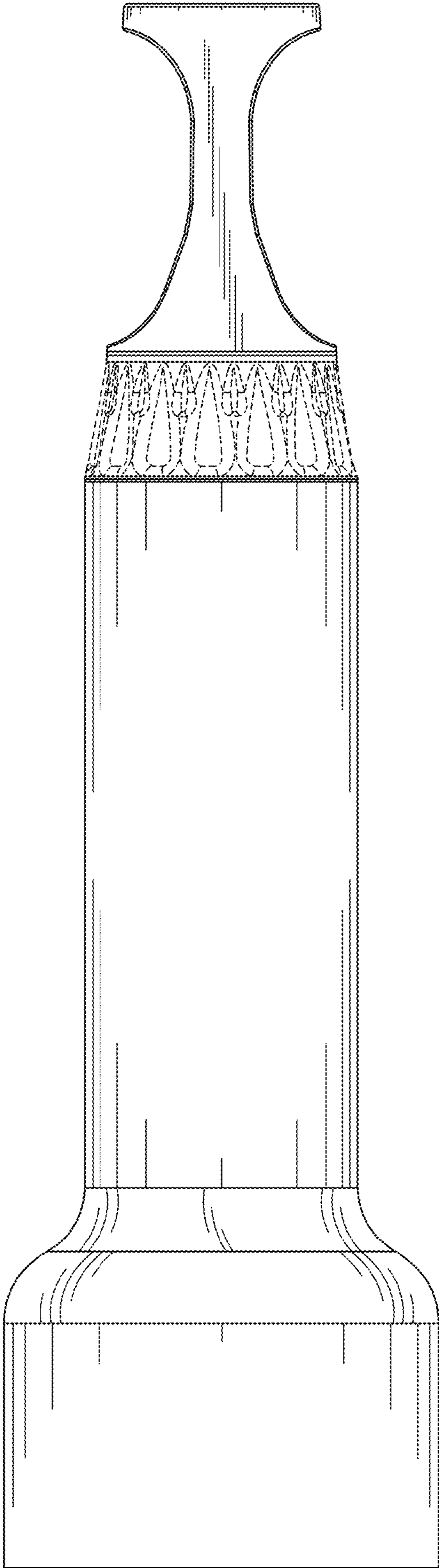


FIG. 5

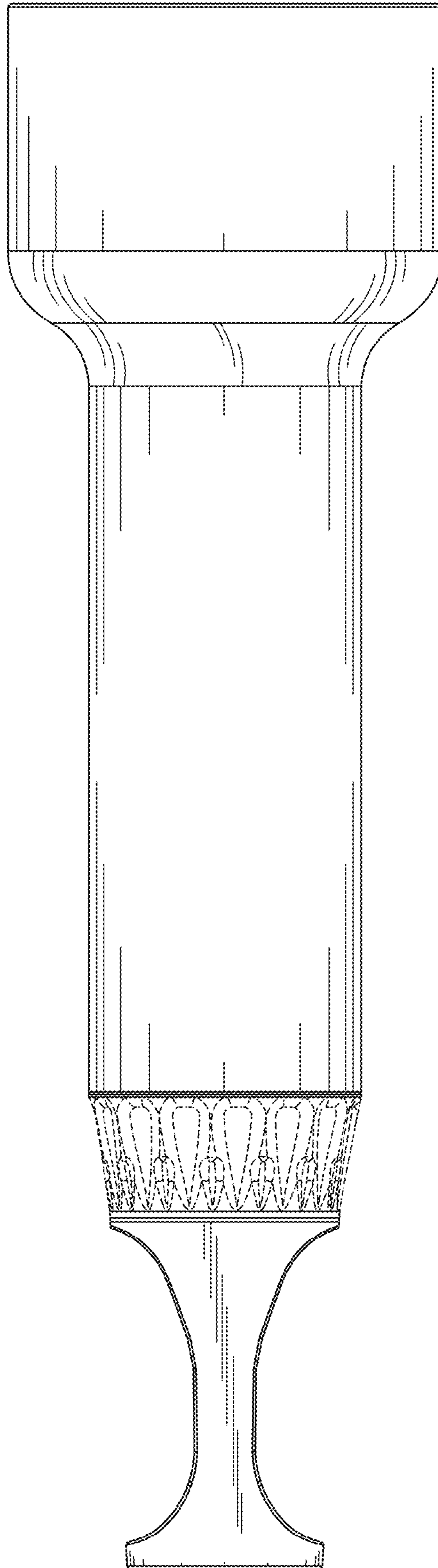


FIG. 6



FIG. 7

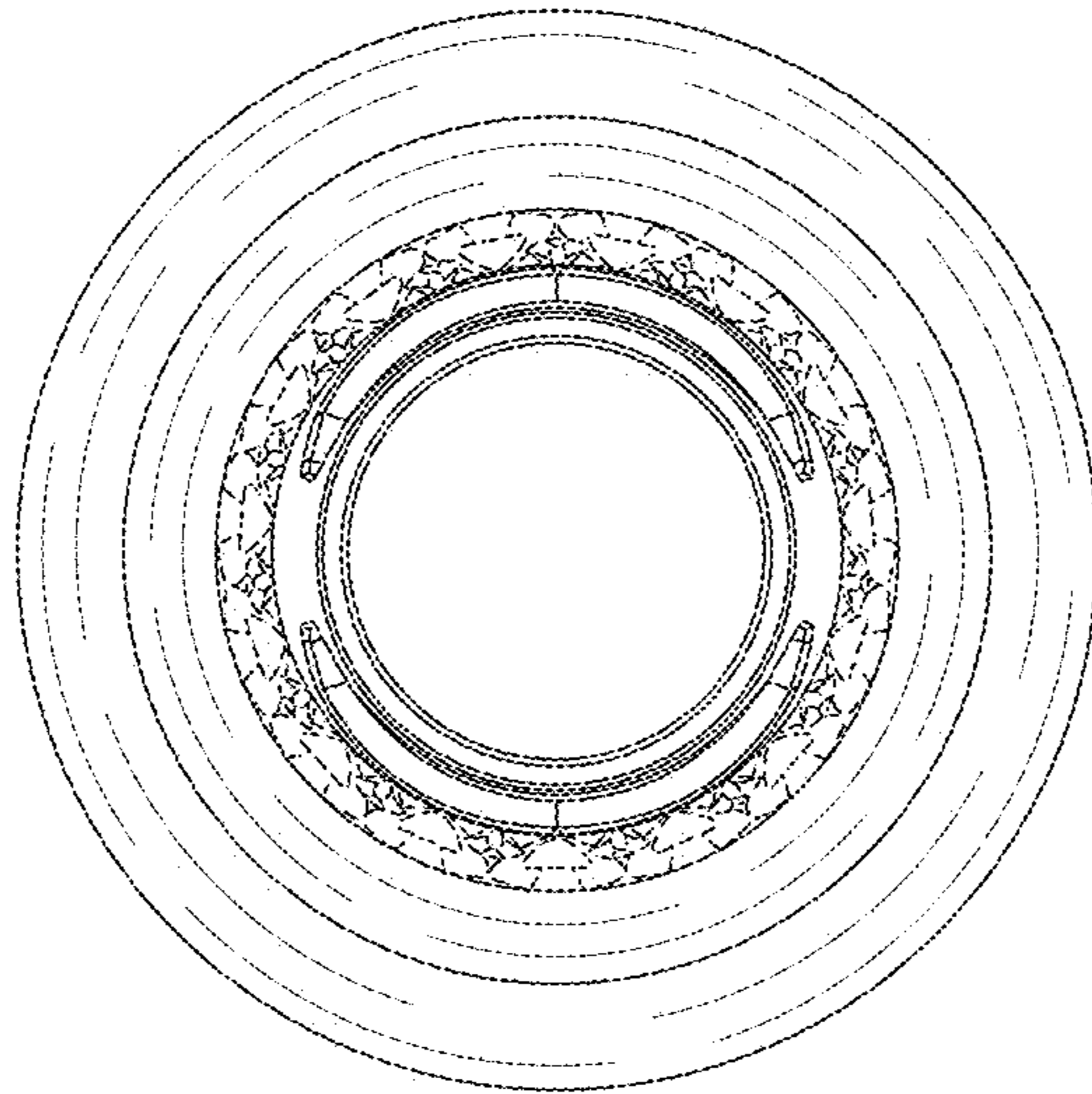


FIG. 8