

US00D968603S

(12) **United States Design Patent**
Grinberg

(10) **Patent No.:** **US D968,603 S**

(45) **Date of Patent:** **** Nov. 1, 2022**

(54) **TIP FOR VAGINAL TREATMENT DEVICE**

(71) Applicant: **LUMENIS LTD.**, Yokneam (IL)

(72) Inventor: **Tal Grinberg**, Yokneam (IL)

(73) Assignee: **LUMENIS BE LTD.**

(**) Term: **15 Years**

(21) Appl. No.: **29/765,652**

(22) Filed: **Jan. 11, 2021**

(51) **LOC (13) Cl.** **24-02**

(52) **U.S. Cl.**
USPC **D24/146**

(58) **Field of Classification Search**
USPC D24/107, 112, 130, 133, 140, 141, 144,
D24/146, 186, 188, 200, 209, 214;
D9/447

CPC A61N 5/067; A61N 2005/0644; A61N
5/0601; A61N 2005/0611; A61N 5/0603

See application file for complete search history.

(56) **References Cited**

U.S. PATENT DOCUMENTS

D244,670 S *	6/1977	Winikoff	D24/115
5,401,248 A *	3/1995	Bencini	A61M 39/06 251/149.3
D430,297 S *	8/2000	Buck	D24/141
D430,669 S *	9/2000	Buck	D24/141
D476,742 S *	7/2003	Wilkinson	D24/108
D621,506 S *	8/2010	Khen	D24/107
D625,805 S *	10/2010	Hereford	D24/129
D650,075 S *	12/2011	Anglay	D24/133
D686,728 S *	7/2013	Chen	D24/144
D691,263 S *	10/2013	Chen	D24/144
D715,920 S *	10/2014	Floyd	D24/107
D731,649 S *	6/2015	Lualdi	D24/146
D745,152 S *	12/2015	Mayer	A61M 37/0076 D24/144
D784,524 S *	4/2017	Corbin	D24/127
D816,834 S *	5/2018	Knight	D24/130

D818,118 S *	5/2018	Kelly	D24/112
D839,425 S *	1/2019	Zanata	D24/144
10,245,108 B2 *	4/2019	Ozer Armon	G02B 13/04
D847,987 S *	5/2019	Di Sessa	D24/144
D861,902 S *	10/2019	Matsushita	D24/200

(Continued)

FOREIGN PATENT DOCUMENTS

GB 6147803 * 7/2021

OTHER PUBLICATIONS

[FemTouch On AcuPulse 360 For Women's Health], YouTube.com, Posted Jan. 25, 2017 [online], site visited: [Jun. 14, 2022], URL: <https://www.youtube.com/watch?v=iP_BM4fbbE>. (Year: 2017).*

Primary Examiner — Jonathan J Han

Assistant Examiner — Amanda J Berlinski

(74) *Attorney, Agent, or Firm* — ISUS Intellectual Property; Anthony Jason Mirabito

(57) **CLAIM**

The ornamental design for a tip for vaginal treatment device, as shown and described.

DESCRIPTION

FIG. 1 is a rear perspective view of the new design for a tip for vaginal treatment device.

FIG. 2 is a front perspective view of the new design of FIG. 1.

FIG. 3 is a rear view of the new design of FIG. 1.

FIG. 4 is a front view of the new design of FIG. 1.

FIG. 5 is a left side view of the new design of FIG. 1.

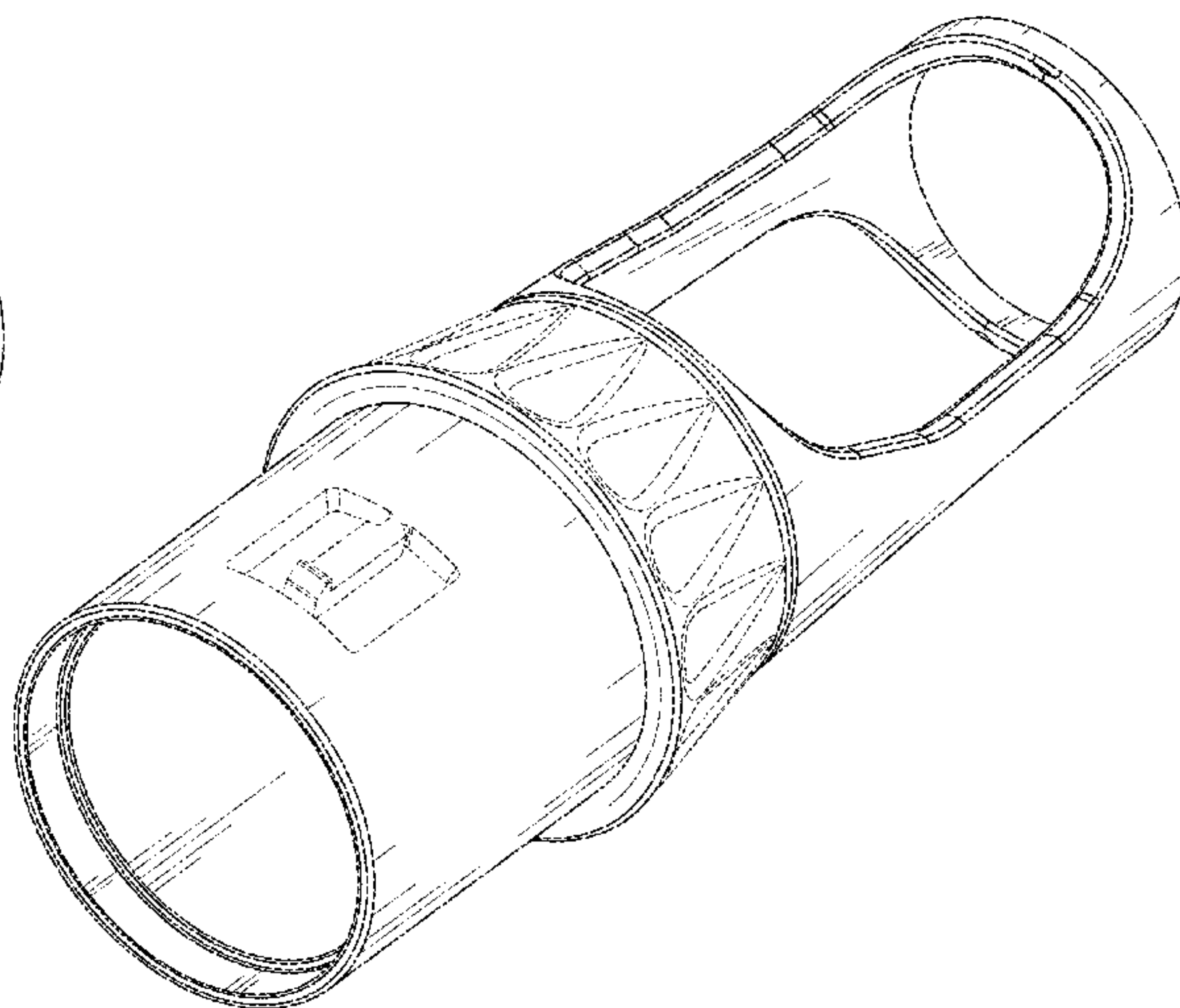
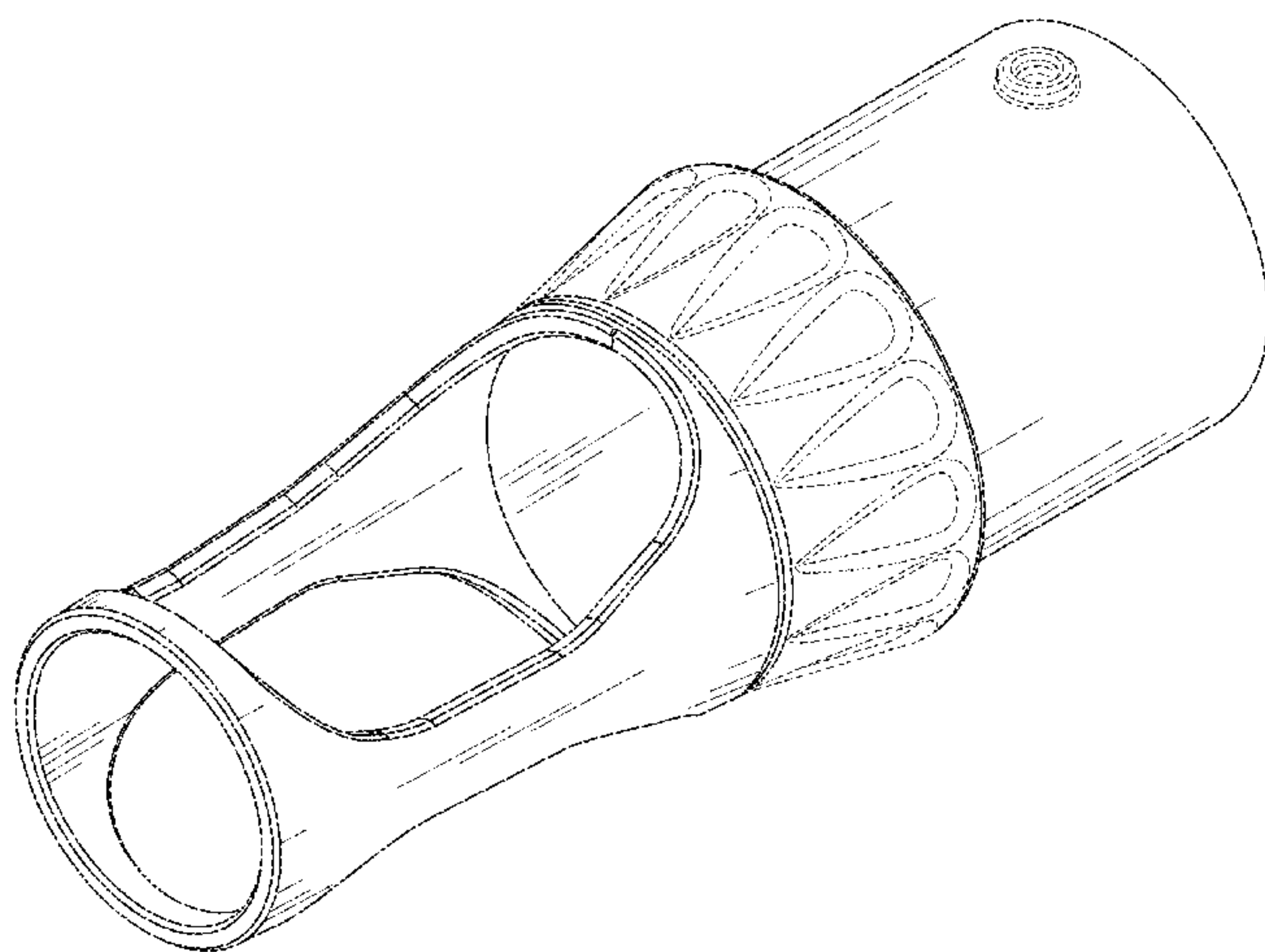
FIG. 6 is a right side view of the new design of FIG. 1.

FIG. 7 is a top view of the new design of FIG. 1; and,

FIG. 8 is a bottom view of the new design of FIG. 1.

The broken lines in the drawings illustrate portions of the tip for vaginal treatment device that form no part of the claimed design.

1 Claim, 8 Drawing Sheets



US D968,603 S

Page 2

(56)

References Cited

U.S. PATENT DOCUMENTS

10,524,863	B2 *	1/2020	Choye	A61B 18/203	2014/0012216	A1 *	1/2014	Shaviv	A61F 5/4553 29/428
D897,527	S *	9/2020	Zahler	D24/133	2014/0052029	A1 *	2/2014	Khen	A61H 7/008 601/2
D899,594	S *	10/2020	Wang	A61M 37/0076 D24/144	2014/0148878	A1 *	5/2014	Khatri	A61B 18/1485 607/108
D912,818	S *	3/2021	Wang	D24/144	2016/0045757	A1 *	2/2016	Groseth	A61K 41/0061 604/20
D915,589	S *	4/2021	Wang	A61M 37/0076 D24/144	2016/0158573	A1 *	6/2016	Masotti	A61B 18/1485 600/407
D921,196	S *	6/2021	Wang	D24/133	2017/0128130	A1 *	5/2017	Giraud	A61H 1/008
D929,880	S *	9/2021	Lan	D10/78	2017/0209707	A1 *	7/2017	Casalino	A61N 1/06
11,154,349	B2 *	10/2021	Parmer	A61B 18/1233	2018/0280087	A1 *	10/2018	Arcusa Villacampa	A61N 5/0616
2005/0223482	A1 *	10/2005	Colombi	A61M 3/0208 4/420.1	2019/0046349	A1 *	2/2019	Mooney	A61F 5/4556
2013/0226211	A1 *	8/2013	Xiao	A61M 37/0076 606/186	2019/0125448	A1 *	5/2019	Zipper	A61B 18/1402
2013/0304164	A1 *	11/2013	Zanata	A61N 5/0616 607/89	2020/0330288	A1 *	10/2020	Duensing	A61F 13/26
2013/0317571	A1 *	11/2013	Gerlitz	B23K 26/0096 607/89	2021/0353952	A1 *	11/2021	Coren	A61N 5/0613

* cited by examiner

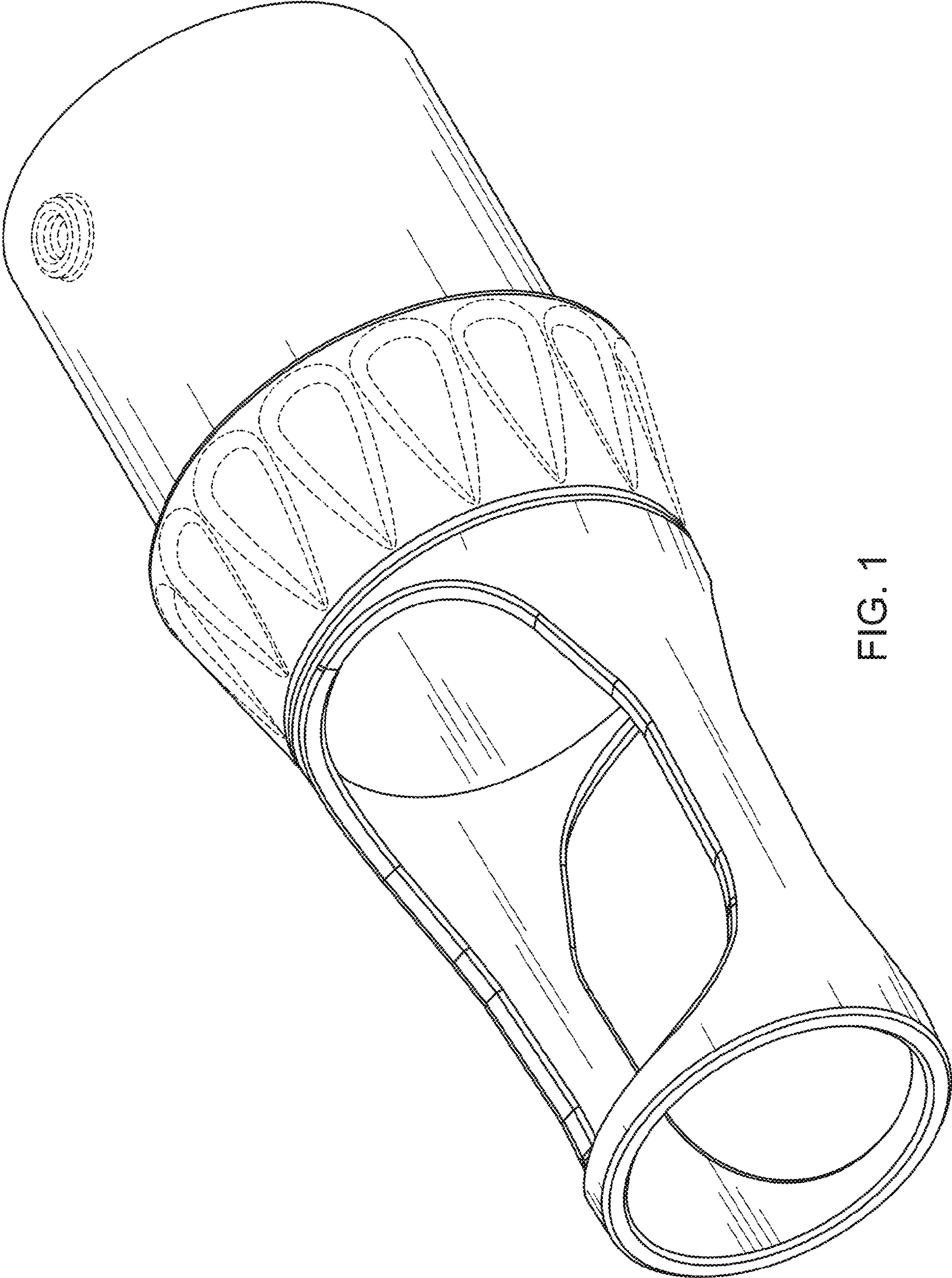


FIG. 1

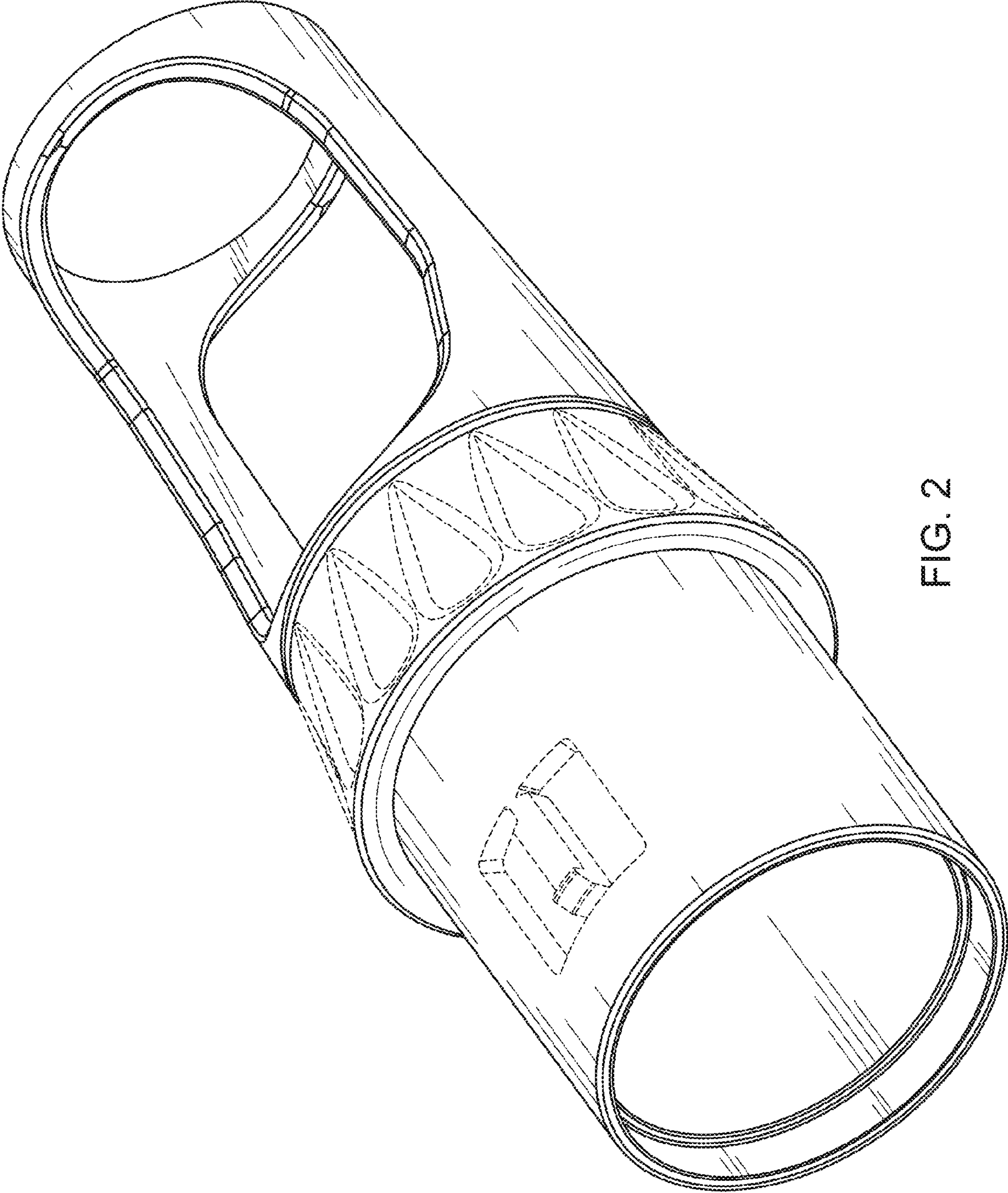


FIG. 2

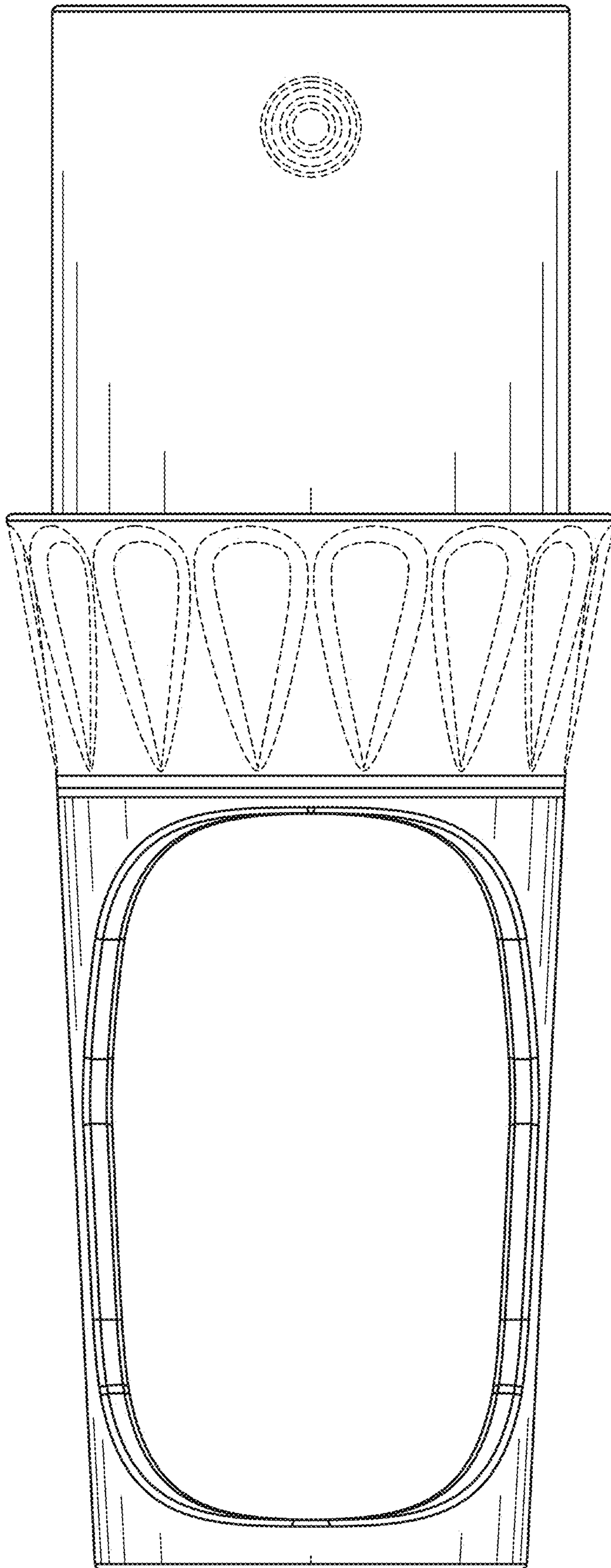


FIG. 3

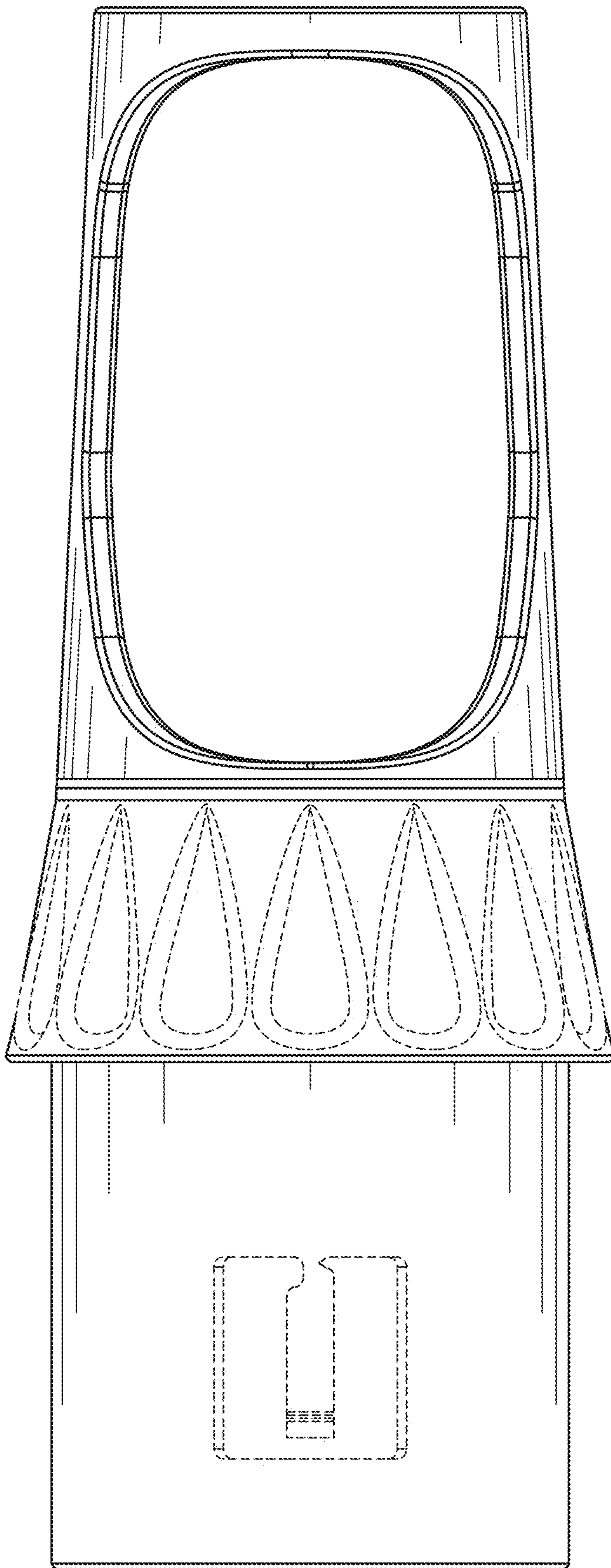


FIG. 4

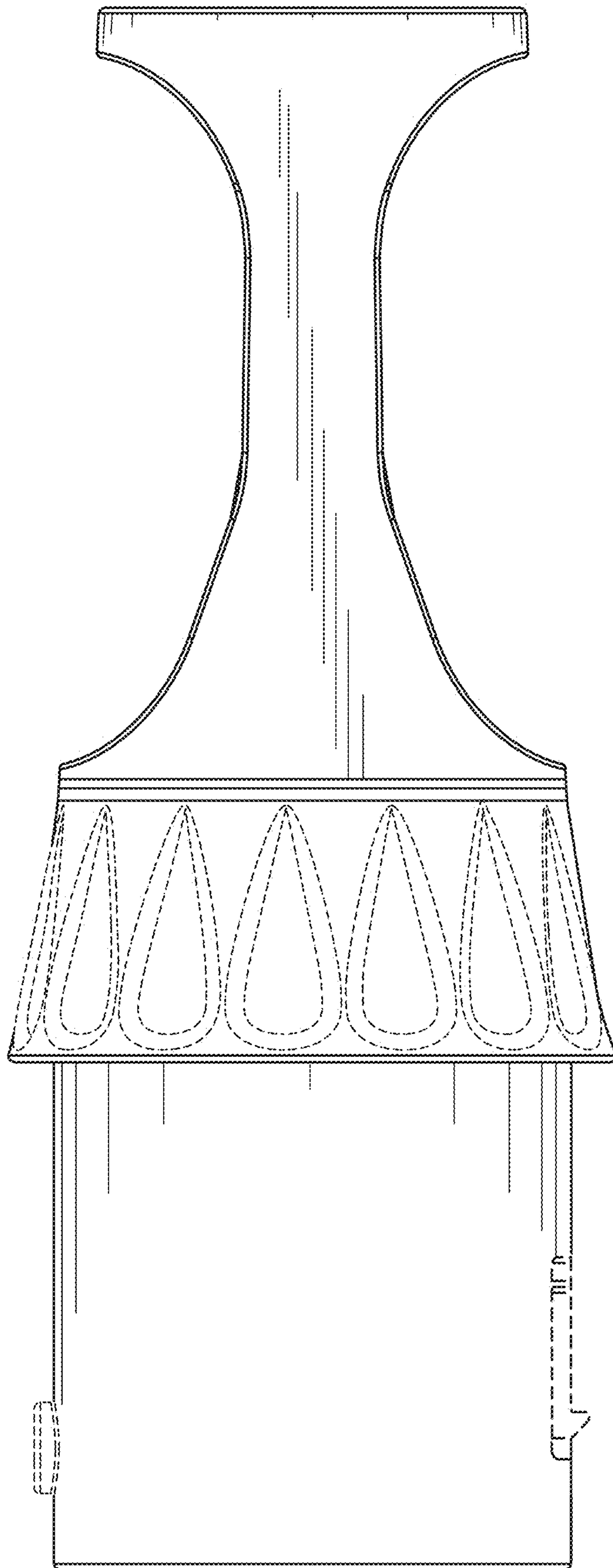


FIG. 5

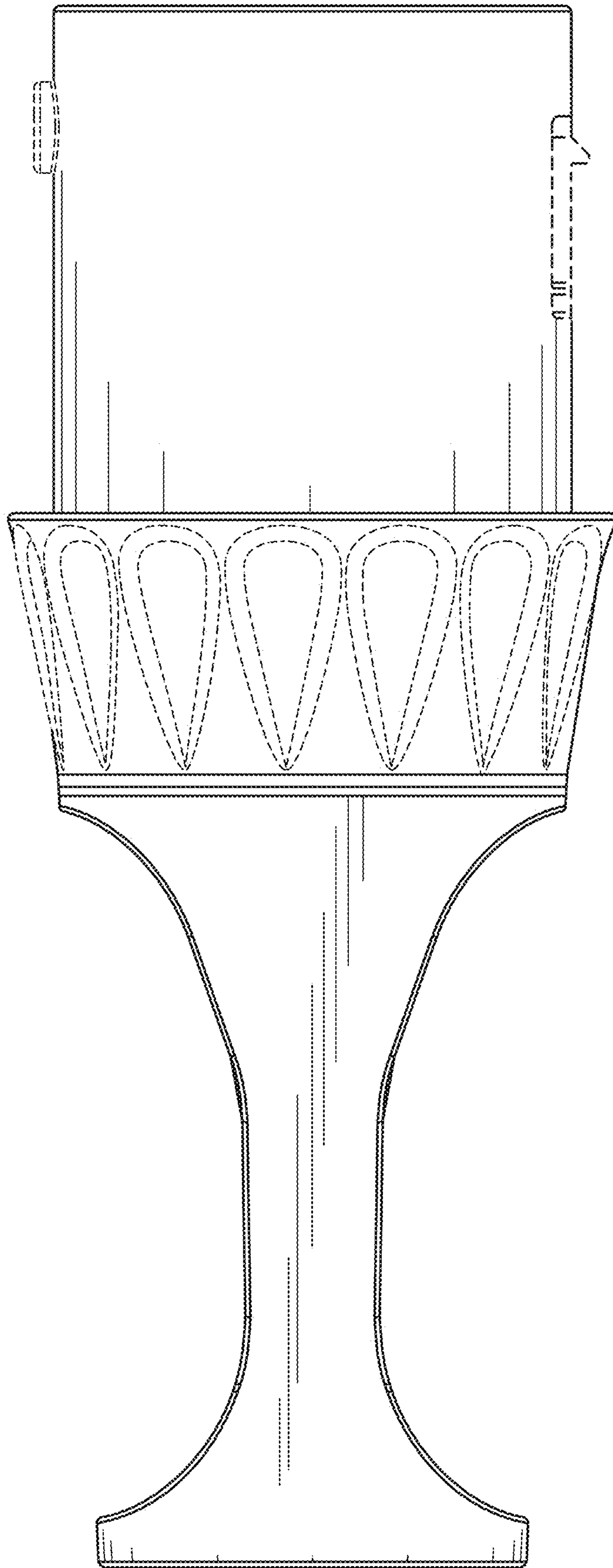


FIG. 6

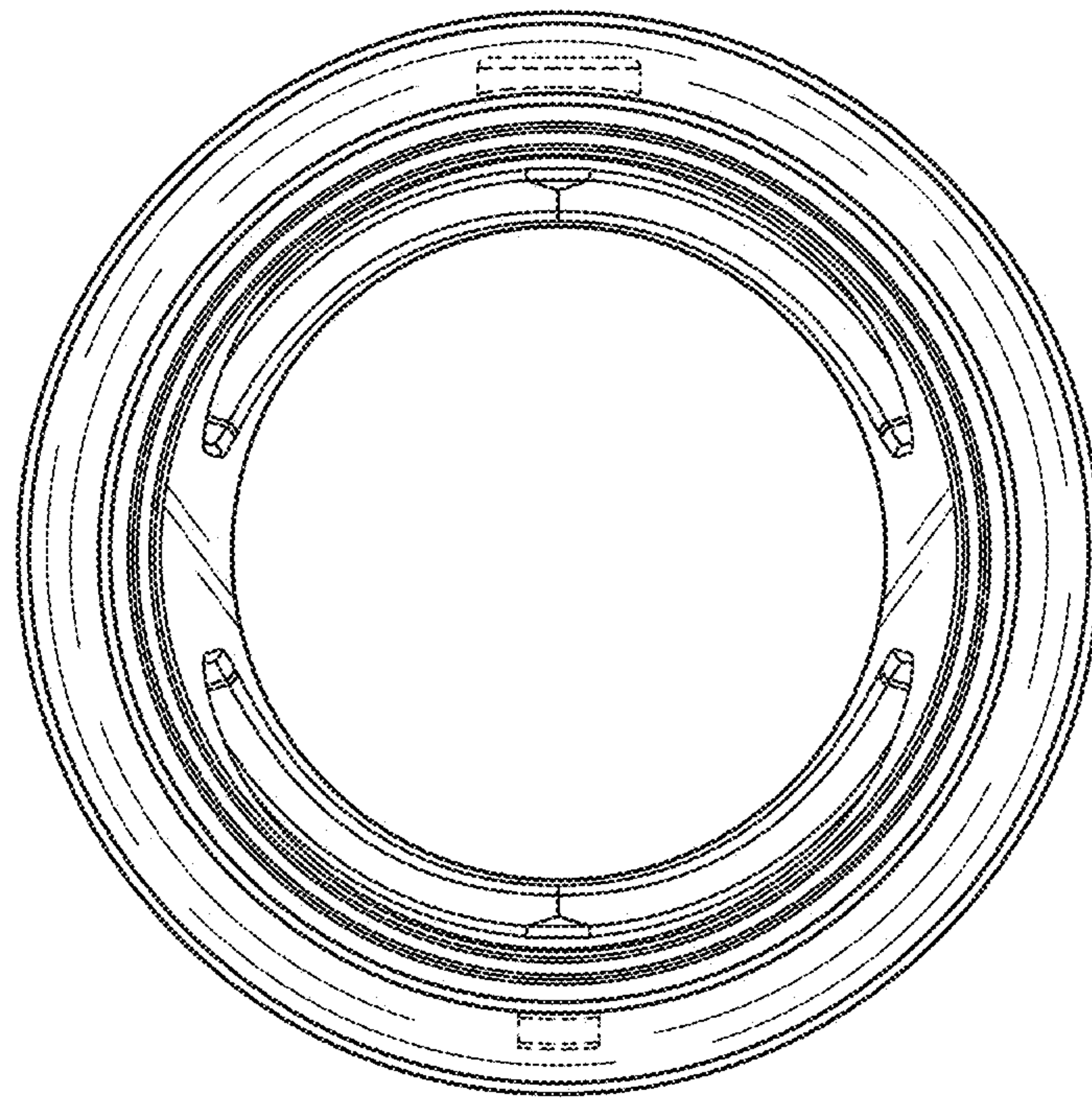


FIG. 7

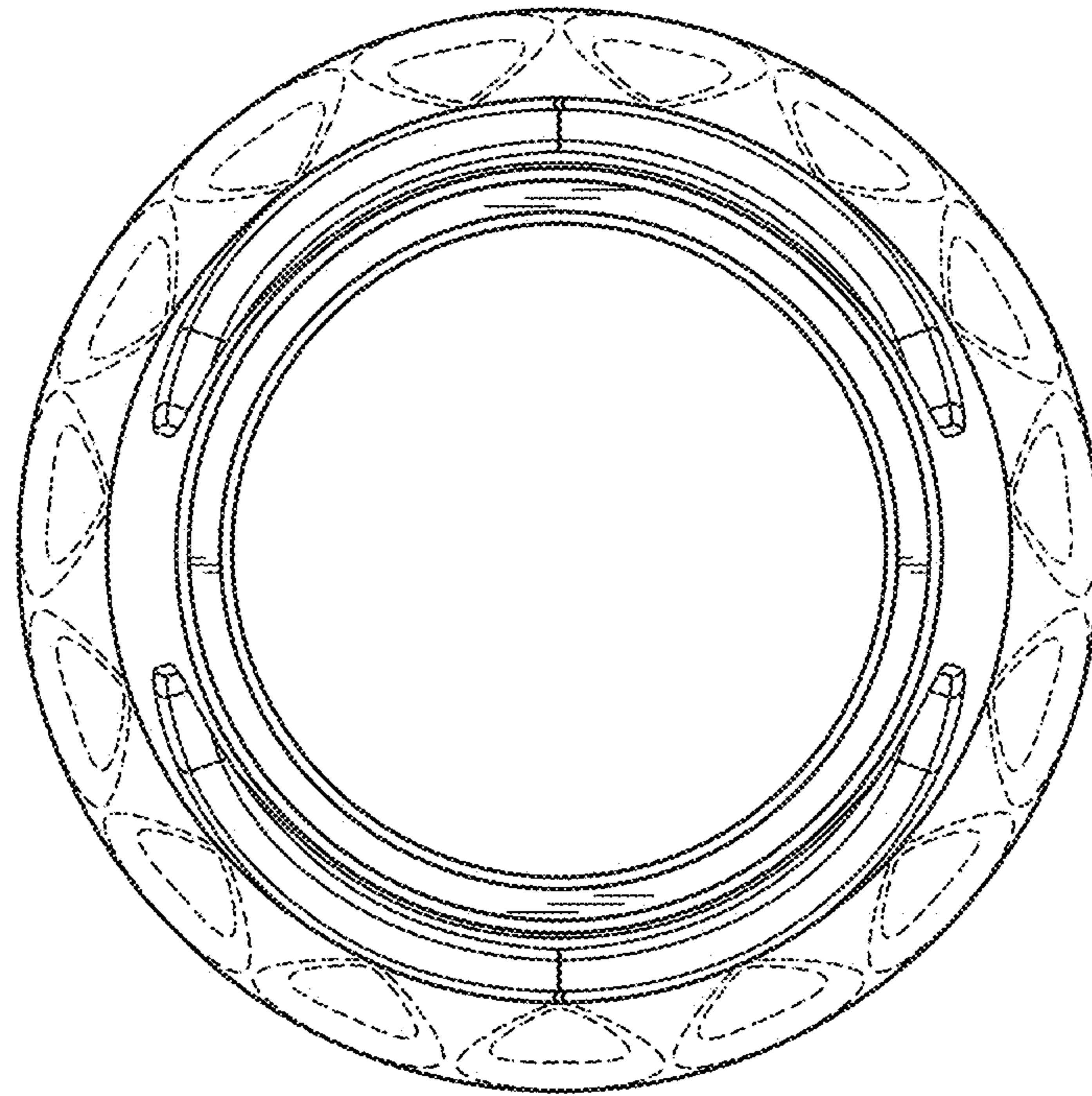


FIG. 8