



US00D968601S

(12) **United States Design Patent** (10) **Patent No.:** **US D968,601 S**  
**Takahashi** (45) **Date of Patent:** **\*\* \*Nov. 1, 2022**

(54) **EXTRACORPOREAL MARKER FOR MEDICAL USE**

(71) Applicant: **FUJIFILM CORPORATION**, Tokyo (JP)  
(72) Inventor: **Keiichiro Takahashi**, Kanagawa (JP)  
(73) Assignee: **FUJIFILM CORPORATION**, Tokyo (JP)  
(\* ) Notice: This patent is subject to a terminal disclaimer.  
(\*\*) Term: **15 Years**

(21) Appl. No.: **29/763,778**

(22) Filed: **Dec. 23, 2020**

(30) **Foreign Application Priority Data**

Aug. 12, 2020 (JP) ..... 2020-016919 D

(51) **LOC (13) Cl.** ..... **24-02**

(52) **U.S. Cl.**  
USPC ..... **D24/138**

(58) **Field of Classification Search**  
USPC ..... D24/231, 230, 164, 222, 138  
(Continued)

(56) **References Cited**

**U.S. PATENT DOCUMENTS**

4,268,183 A \* 5/1981 Sekiguchi ..... B43K 27/08  
401/32  
4,469,110 A \* 9/1984 Slama ..... A61B 5/15019  
600/583

(Continued)

**FOREIGN PATENT DOCUMENTS**

JP D1686755 \* 5/2021  
JP D1692825 \* 8/2021  
JP D1692884 \* 8/2021

**OTHER PUBLICATIONS**

QuickClip Pro In-Service, Feb. 9, 2016, youtube.com [online], [site visited Mar. 23, 2022], Available from internet, URL: <https://www.youtube.com/watch?v=hsu66Kw-3fQ> (Year: 2016).\*

(Continued)

*Primary Examiner* — Wendy L Arminio

*Assistant Examiner* — Maheen Khurshid

(74) *Attorney, Agent, or Firm* — Solaris Intellectual Property Group, PLLC

(57) **CLAIM**

The ornamental design for an extracorporeal marker for medical use, as shown and described.

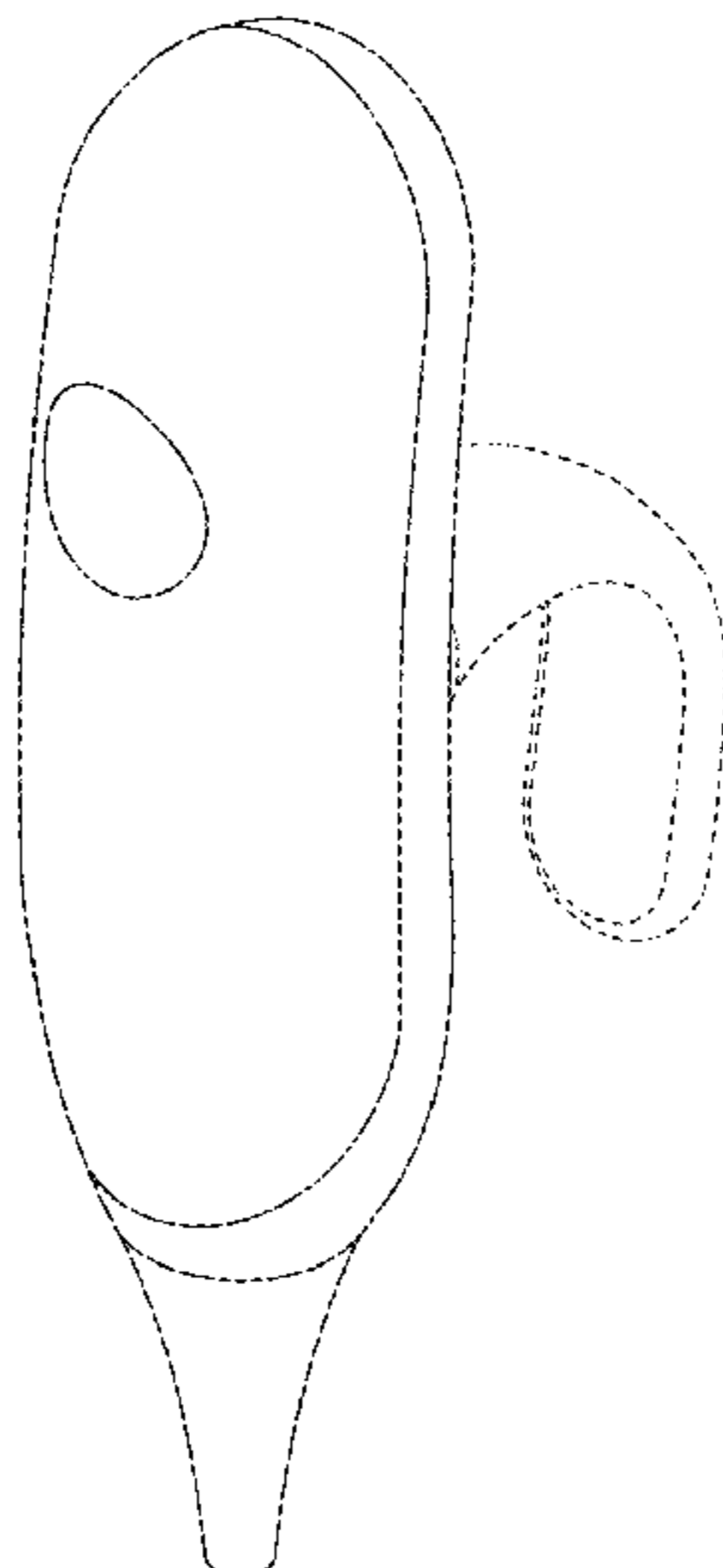
**DESCRIPTION**

FIG. 1 is a front perspective view of an extracorporeal marker for medical use, showing the new design; FIG. 2 is a rear perspective view thereof; FIG. 3. is a front view thereof; FIG. 4 is a rear view thereof; FIG. 5 is a right-side view thereof; FIG. 6 is a left-side view thereof; FIG. 7 is a top view thereof; FIG. 8 is a bottom side view; and, FIG. 9 is another perspective view of the extracorporeal marker for medical use shown in FIG. 1, shown in a position of use.

The broken lines depicting portions of the extracorporeal marker for medical use form no part of the claimed design. Additionally, the broken lines in FIG. 9 showing a human hand, a hook and a cable depict environment and form no part of the claimed design.

The present article is an extracorporeal marker for medical use which is intended to be used in conjunction with an endoscope.

**1 Claim, 9 Drawing Sheets**



(58) **Field of Classification Search**  
 CPC .. A61B 1/00; A61B 17/00; G02B 1/00; G02B  
 2207/00; G06V 10/00; A61M 1/00;  
 A61M 3/00; A61M 11/00; A61M 15/00;  
 A61M 25/00; B43K 1/00; G06T 1/00;  
 G06T 2200/00; A61K 6/00; A61K  
 2121/00  
 See application file for complete search history.

(56) **References Cited**

U.S. PATENT DOCUMENTS

4,627,445 A \* 12/1986 Garcia ..... A61B 5/1455  
 600/583  
 4,760,937 A \* 8/1988 Evezich ..... B65D 83/0055  
 222/209  
 4,948,285 A \* 8/1990 Schleif ..... B43K 29/013  
 401/32  
 5,108,211 A \* 4/1992 Rigoni ..... B43K 24/06  
 401/109  
 D388,170 S \* 12/1997 Sjostrom ..... D24/133  
 6,059,789 A \* 5/2000 Dinger ..... A61B 17/0483  
 606/86 R  
 D454,638 S \* 3/2002 Topala ..... D24/138  
 6,364,163 B1 \* 4/2002 Mueller ..... B65D 83/0072  
 222/481.5  
 6,685,691 B1 \* 2/2004 Freund ..... B65D 83/62  
 222/105  
 6,742,676 B2 \* 6/2004 Nakamura ..... B65D 1/0215  
 222/96

7,008,131 B2 \* 3/2006 Kagevarna ..... B43K 24/146  
 401/35  
 D547,864 S \* 7/2007 Rau ..... 600/131  
 D591,424 S \* 4/2009 Costa ..... D24/184  
 8,845,616 B2 \* 9/2014 Minskoff ..... A61M 1/7411  
 606/45  
 D852,374 S \* 6/2019 Kozlenko ..... D24/222  
 D875,964 S \* 2/2020 Doebele ..... D24/222  
 10,888,117 B2 \* 1/2021 Danek ..... A61M 15/0085  
 2006/0282486 A1 \* 12/2006 Bhavnani ..... G06F 15/025  
 708/160  
 2011/0004057 A1 \* 1/2011 Goldfarb ..... A61M 29/02  
 600/106  
 2015/0216234 A1 \* 8/2015 Chung ..... A24F 40/485  
 131/329  
 2016/0310231 A1 \* 10/2016 Cohen ..... C09D 11/50  
 2017/0333153 A1 \* 11/2017 Halpert ..... B43K 29/08  
 2019/0269865 A1 \* 9/2019 Vu ..... A61K 31/352  
 2019/0283485 A1 \* 9/2019 Xie ..... B43K 8/08  
 2020/0230329 A1 \* 7/2020 Danek ..... A24F 40/42  
 2021/0213213 A1 \* 7/2021 Säll ..... A61M 11/00

OTHER PUBLICATIONS

Fujifilm Endoscopy System, Dec. 30, 2015, youtube.com, youtube.  
 com [online], [site visited Mar. 23, 2022], Available from internet,  
 URL: <<https://www.youtube.com/watch?v=2WThySRFwnk>> (Year:  
 2015).\*

\* cited by examiner

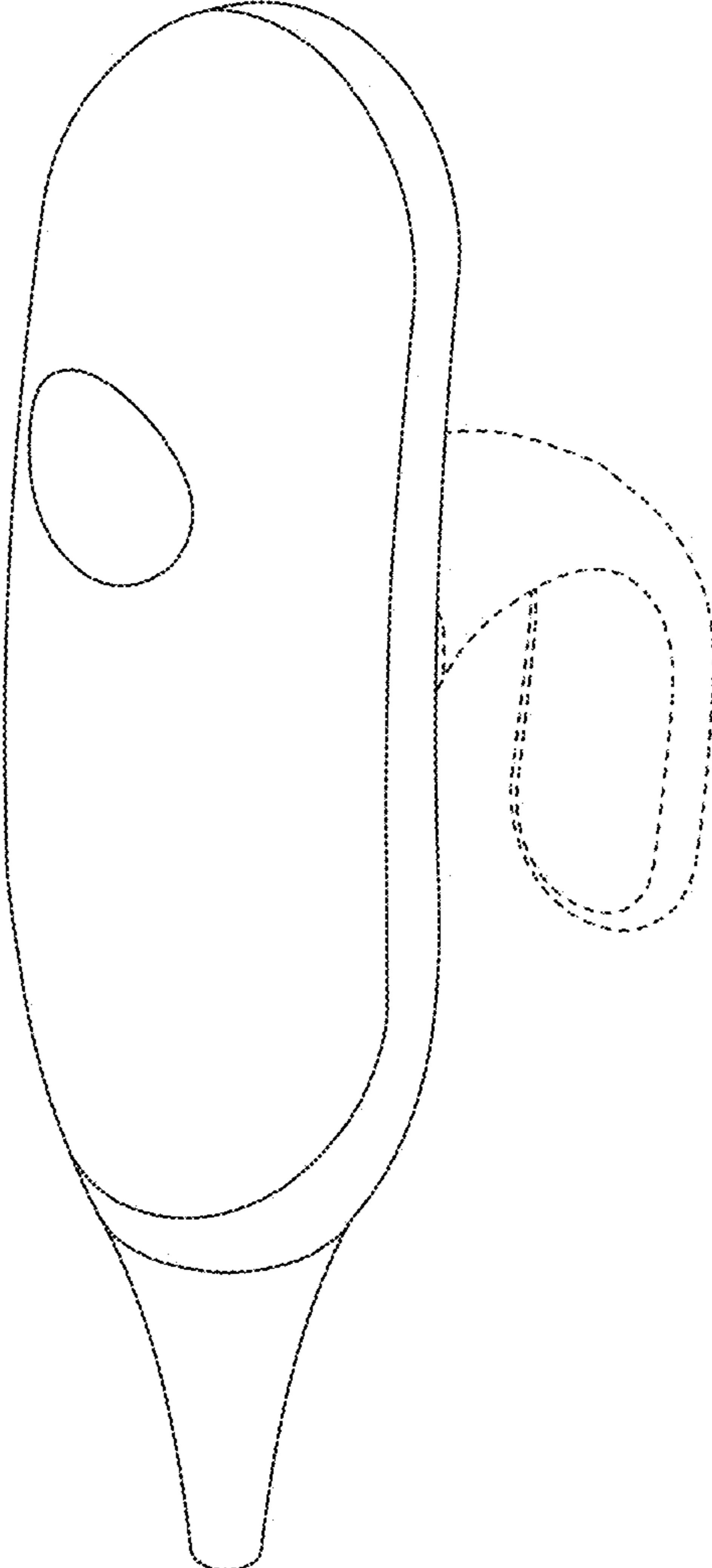


FIG. 1

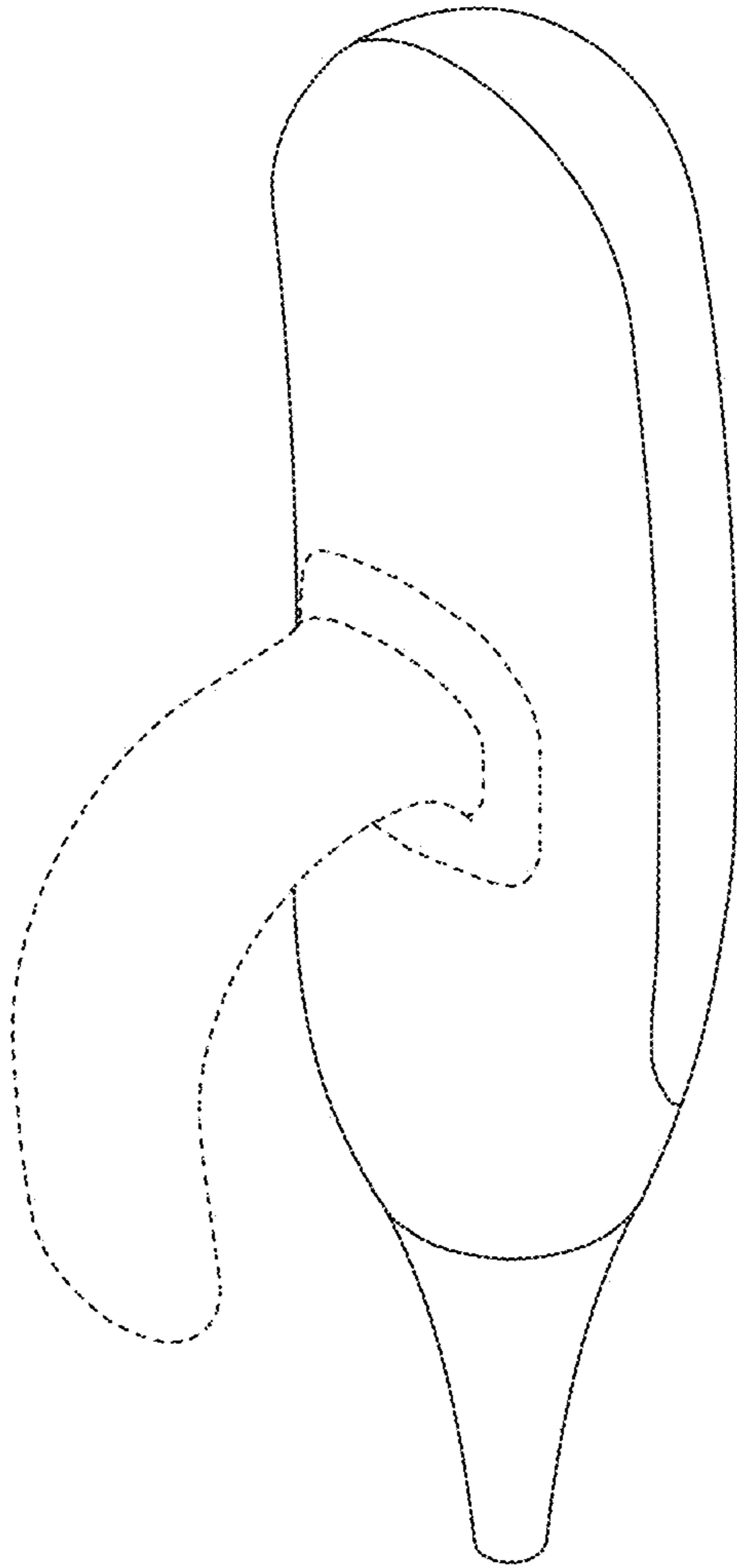


FIG. 2

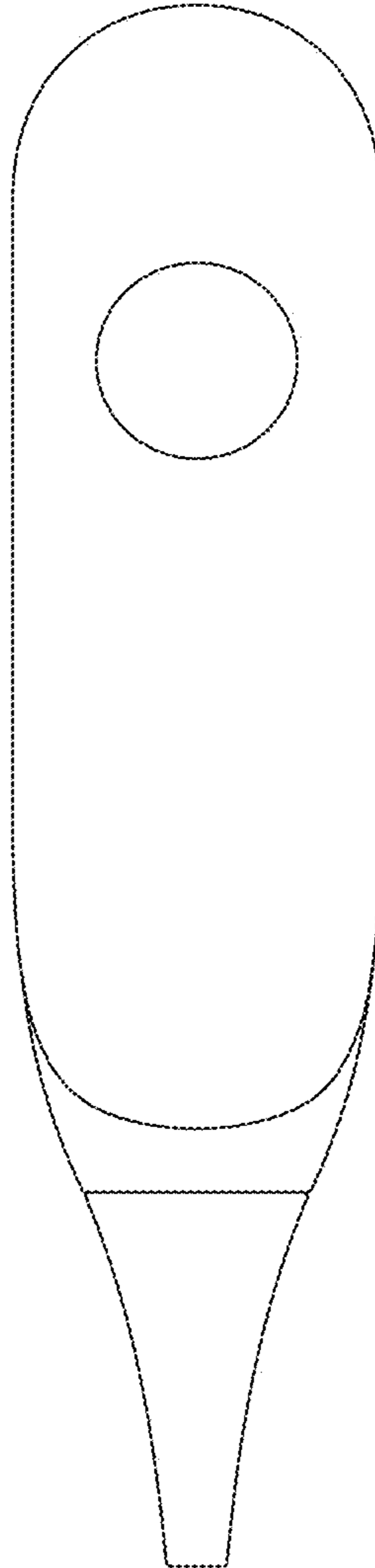


FIG. 3

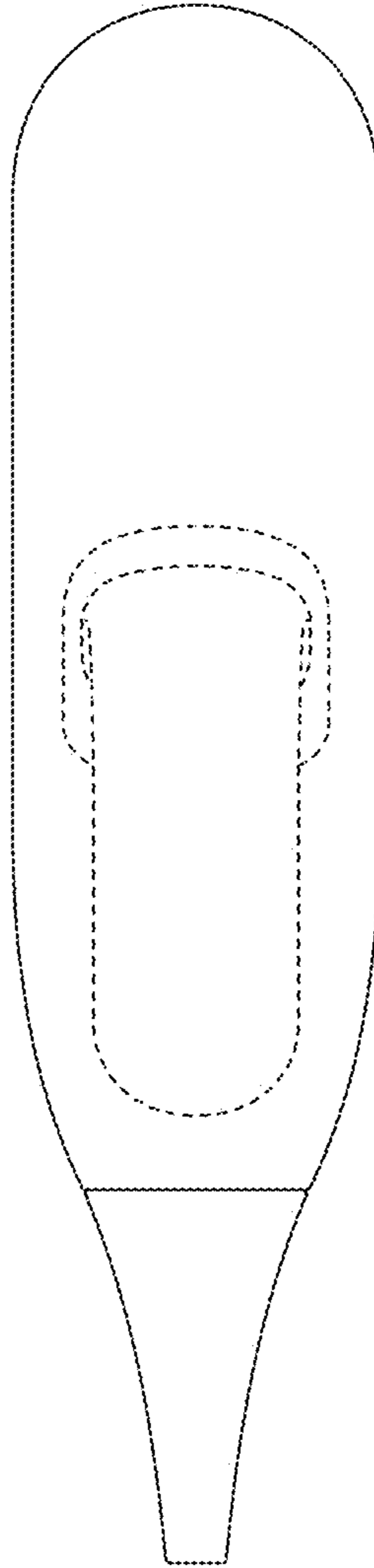


FIG. 4

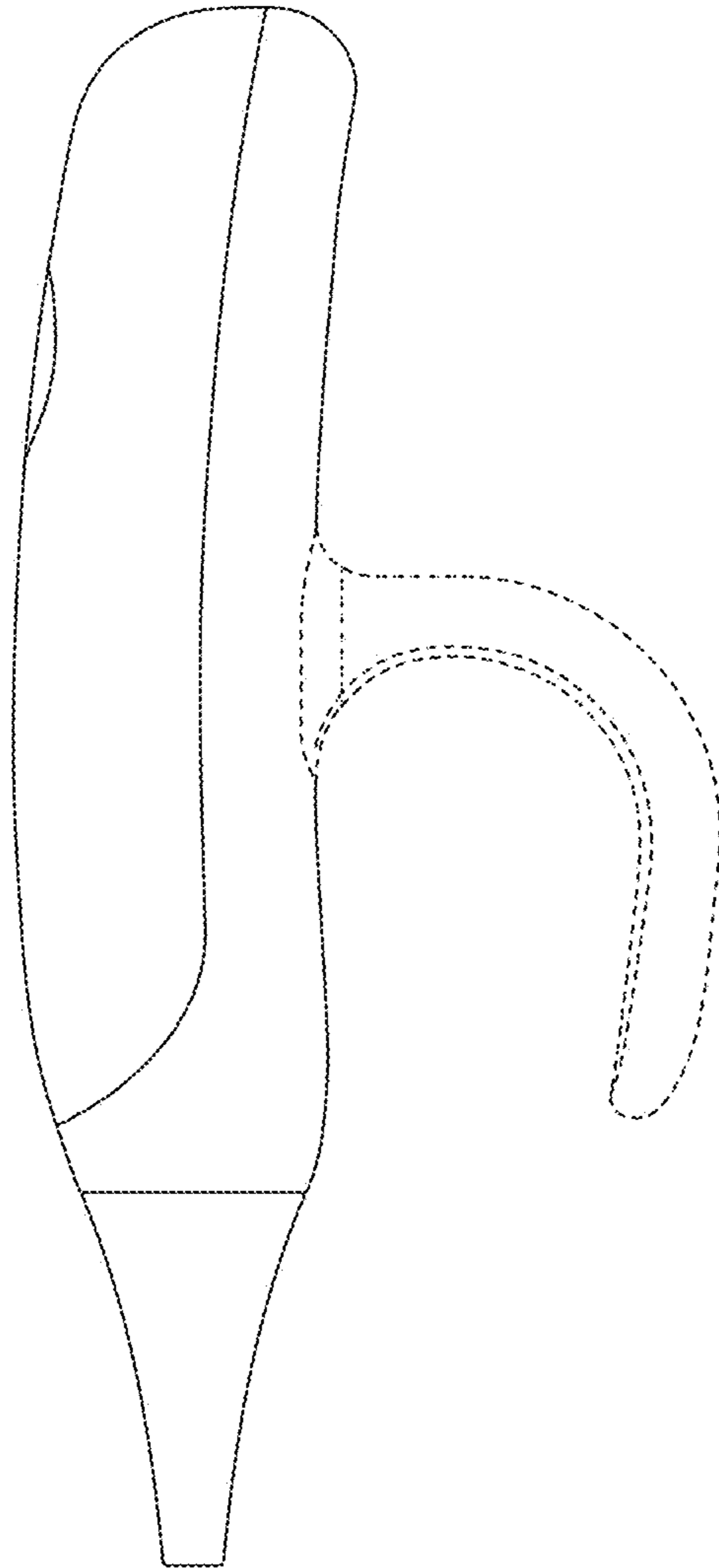


FIG. 5

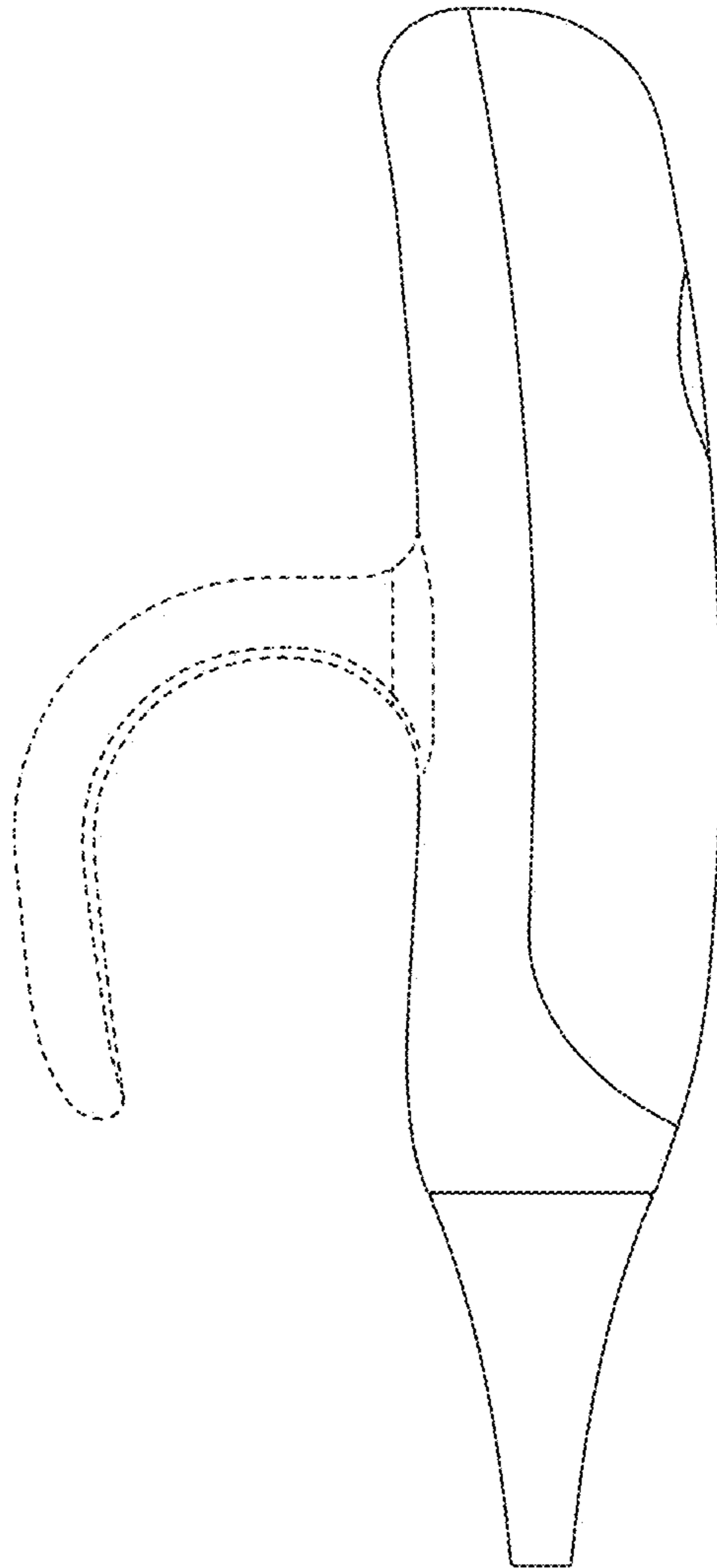


FIG. 6



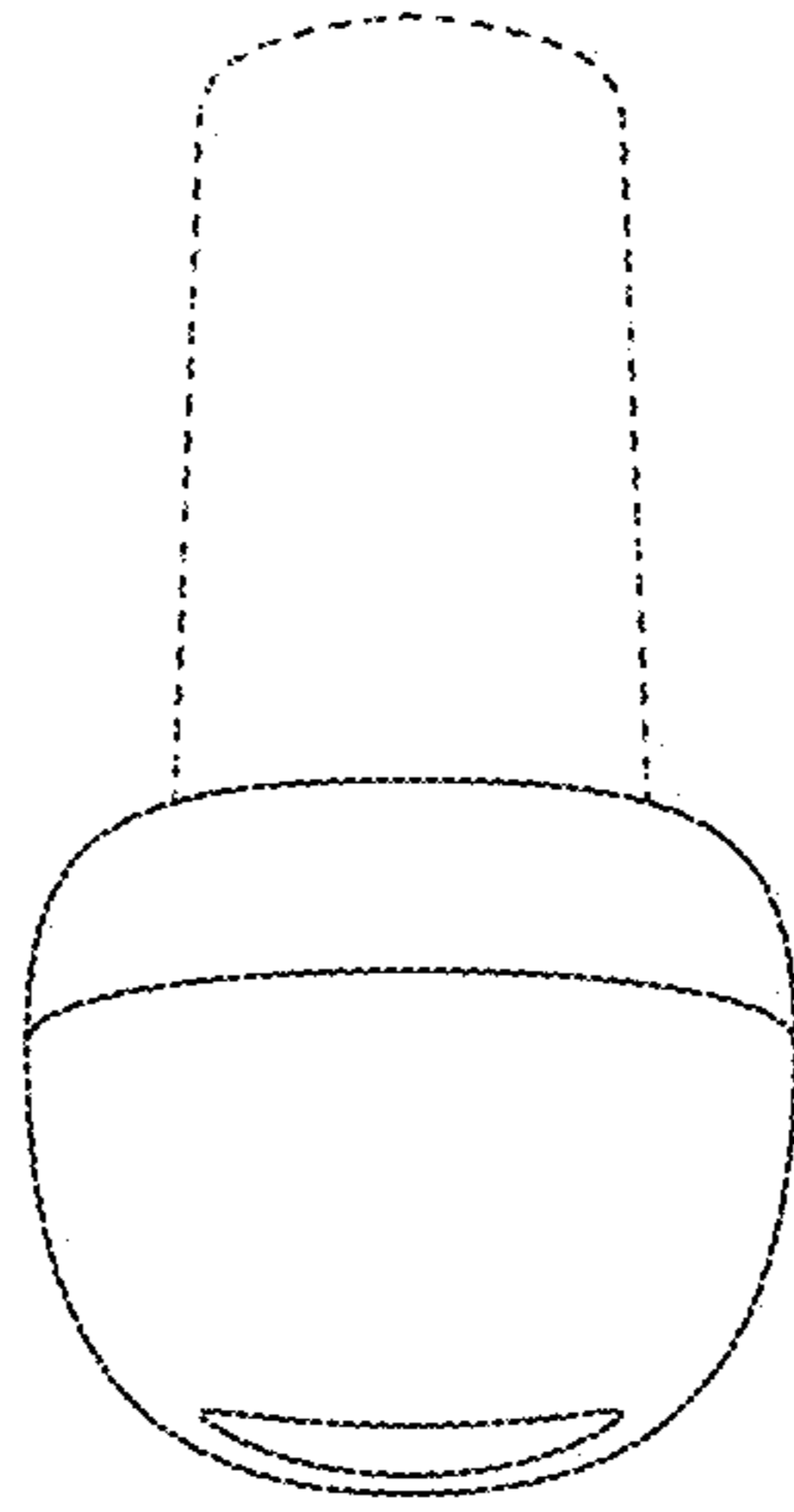


FIG. 7

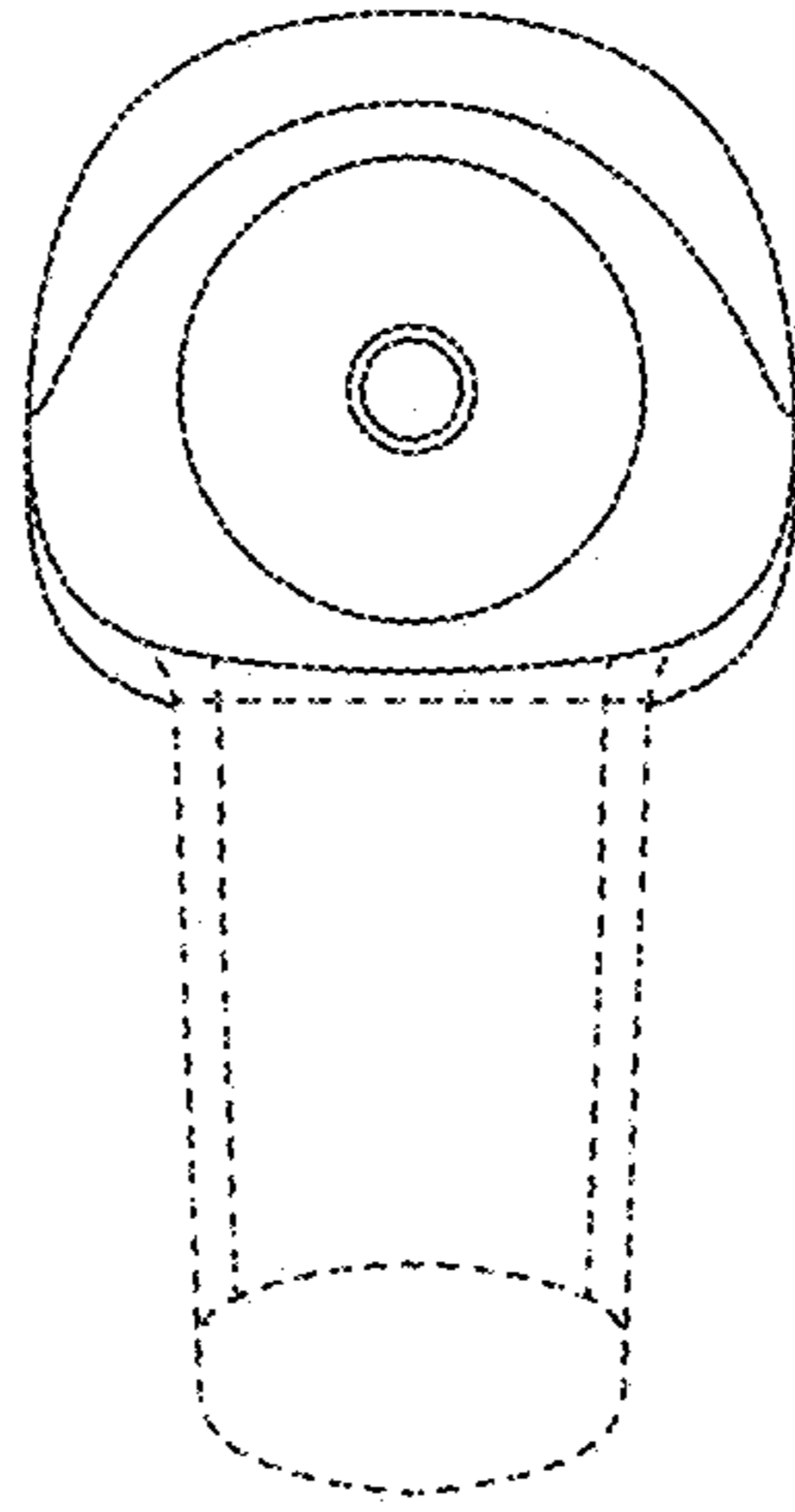


FIG. 8

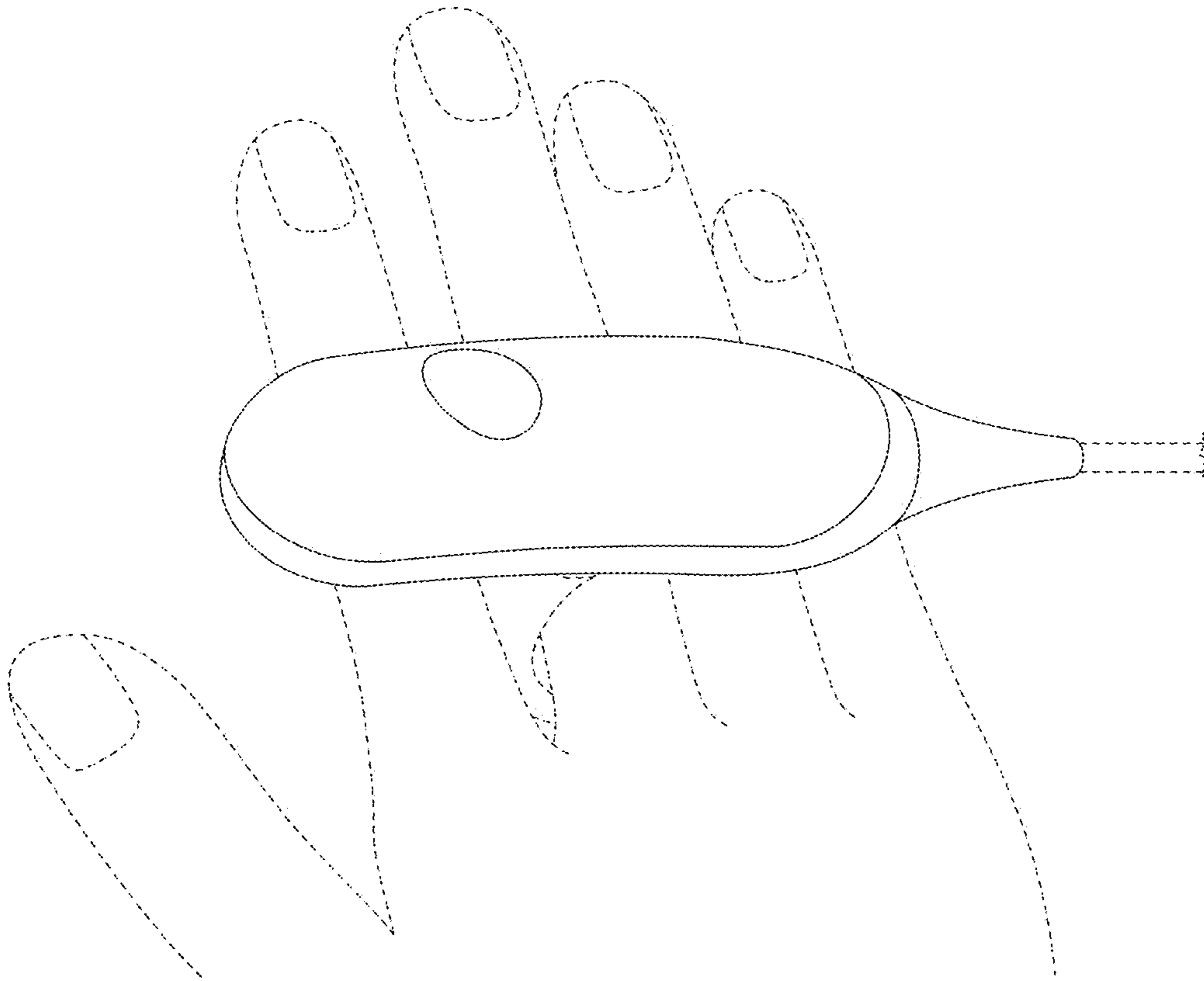


FIG. 9