

US00D968599S

(12) **United States Design Patent** (10) **Patent No.:** **US D968,599 S**
Campbell et al. (45) **Date of Patent:** **** Nov. 1, 2022**

(54) **SUCTION VALVE SWITCH**

(71) Applicants: **John H. Campbell**, Lafayette, LA (US); **Angela Guidry Sobiesk**, Lafayette, LA (US)

(72) Inventors: **John H. Campbell**, Lafayette, LA (US); **Angela Guidry Sobiesk**, Lafayette, LA (US)

(**) Term: **15 Years**

(21) Appl. No.: **29/748,359**

(22) Filed: **Aug. 28, 2020**

(51) **LOC (13) Cl.** **24-02**

(52) **U.S. Cl.**
USPC **D24/129**

(58) **Field of Classification Search**
USPC D24/127, 129, 152, 176, 105, 107, 232
CPC A61C 17/08; A61C 17/092; A61M 1/0086;
A61M 1/043; A61M 1/0039
See application file for complete search history.

(56) **References Cited**

U.S. PATENT DOCUMENTS

4,861,266	A *	8/1989	Ashiku	A61C 17/08 433/95
D565,731	S *	4/2008	Eisenkolb	D24/129
7,811,278	B2 *	10/2010	Knipple, Jr.	A61M 16/0672 604/533
D639,398	S *	6/2011	Wilhelm	D23/262
D669,578	S *	10/2012	Burgess	D24/129
D779,053	S *	2/2017	Kobida	D24/108
D784,528	S *	4/2017	Burgess	D24/129
9,884,143	B2 *	2/2018	Kobida	A61M 1/7411
D912,245	S *	3/2021	Grudo	A61B 1/00064 D24/129
D928,925	S *	8/2021	Lei	D23/262
D930,123	S *	9/2021	Garcia Blanco	D23/262
D947,376	S *	3/2022	Lagow	D24/138
2003/0181786	A1 *	9/2003	Heimberger	A61B 1/015 600/159

(Continued)

OTHER PUBLICATIONS

Aluminum Dental Oral Saliva Ejector Suction High low Handpiece Tip Adaptor, Tree Dental, [Post date: unknown], [Site seen Apr. 12, 2022], Seen at URL: <https://www.treedental.com/dental-strong-weak-suction-saliva-ejector-tr-ose01.html> (Year: 2022).*

(Continued)

Primary Examiner — Natasha Vujcic
Assistant Examiner — Gilbert B Ford

(74) *Attorney, Agent, or Firm* — Ted M. Anthony; Sarah B. Dupont

(57) **CLAIM**

We claim, the ornamental design for a suction valve switch, as shown and described.

DESCRIPTION

FIG. 1 is a top view of a suction valve switch of the present invention.

FIG. 2 is a front perspective view of a suction valve switch depicted in FIG. 1.

FIG. 3 is a side view of a suction valve switch depicted in FIGS. 1 through 2.

FIG. 4 is an alternate side view of a suction valve switch depicted in FIGS. 1 through 3.

FIG. 5 is a rear end view of a suction valve switch depicted in FIGS. 1 through 4.

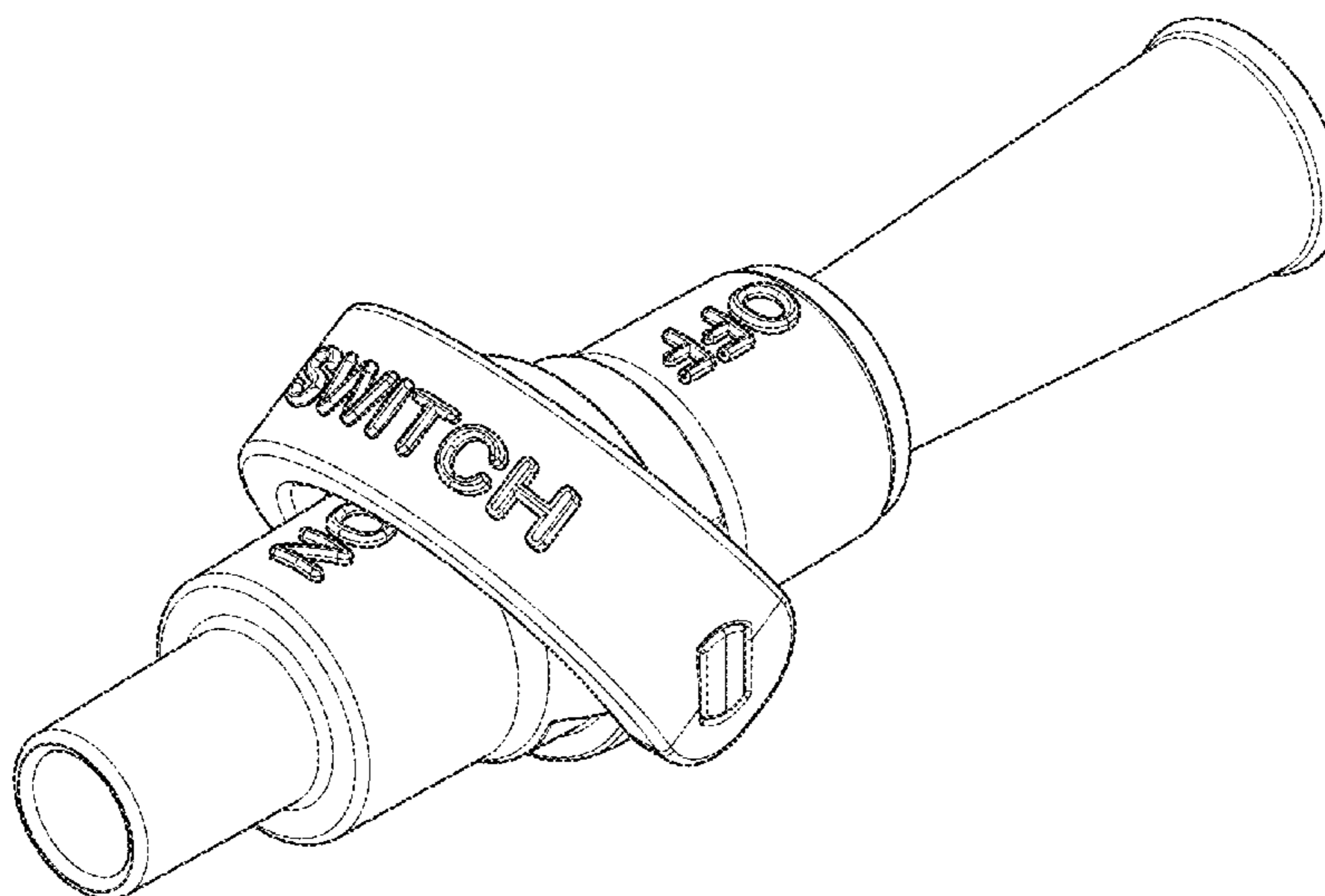
FIG. 6 is a bottom view of a suction valve switch depicted in FIGS. 1 through 5.

FIG. 7 is a bottom perspective view of a suction valve switch depicted in FIGS. 1 through 6.

FIG. 8 is an exploded perspective view of a suction valve switch depicted in FIGS. 1 through 7; and,

FIG. 9 is an alternate exploded perspective view of a suction valve switch depicted in FIGS. 1 through 8.

1 Claim, 9 Drawing Sheets



(56)

References Cited

U.S. PATENT DOCUMENTS

2010/0276026 A1* 11/2010 Powell F16L 39/005
29/428

OTHER PUBLICATIONS

Extended Dental Suction Valve, HVE Vacuum Valve Parts, Dtech, Amazon, [Post date: Jan. 16, 2018], [Site seen Apr. 12, 2022], Seen at URL: <https://www.amazon.com/Extended-Dental-Suction-Valve-Vacuum/dp/B0792S5XC1> (Year: 2018).*

Bull Frog HVE Valve Body Handpiece Extended Autoclavable Ea, Bullfrog, [Post date unknown], [Site seen Apr. 12, 2022], Seen at URL: <https://www.henryschein.com/us-en/Search.aspx?searchkeyWord=1138741+> (Year: 2022).*

* cited by examiner

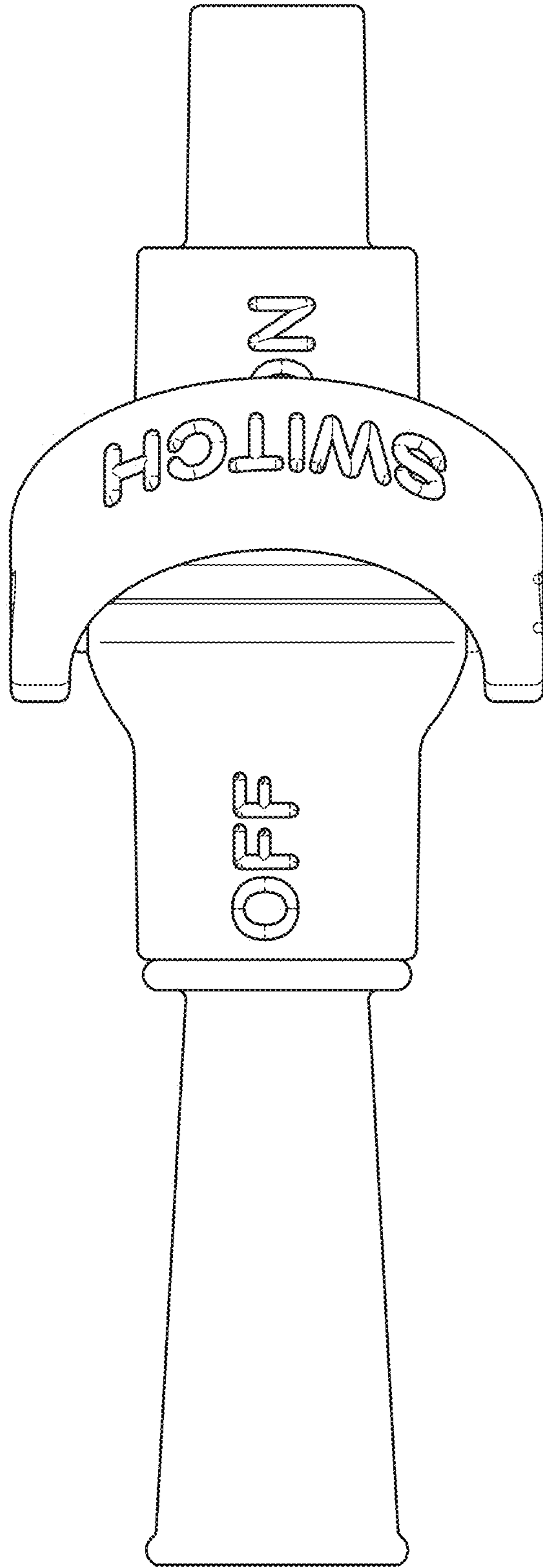


FIG. 1

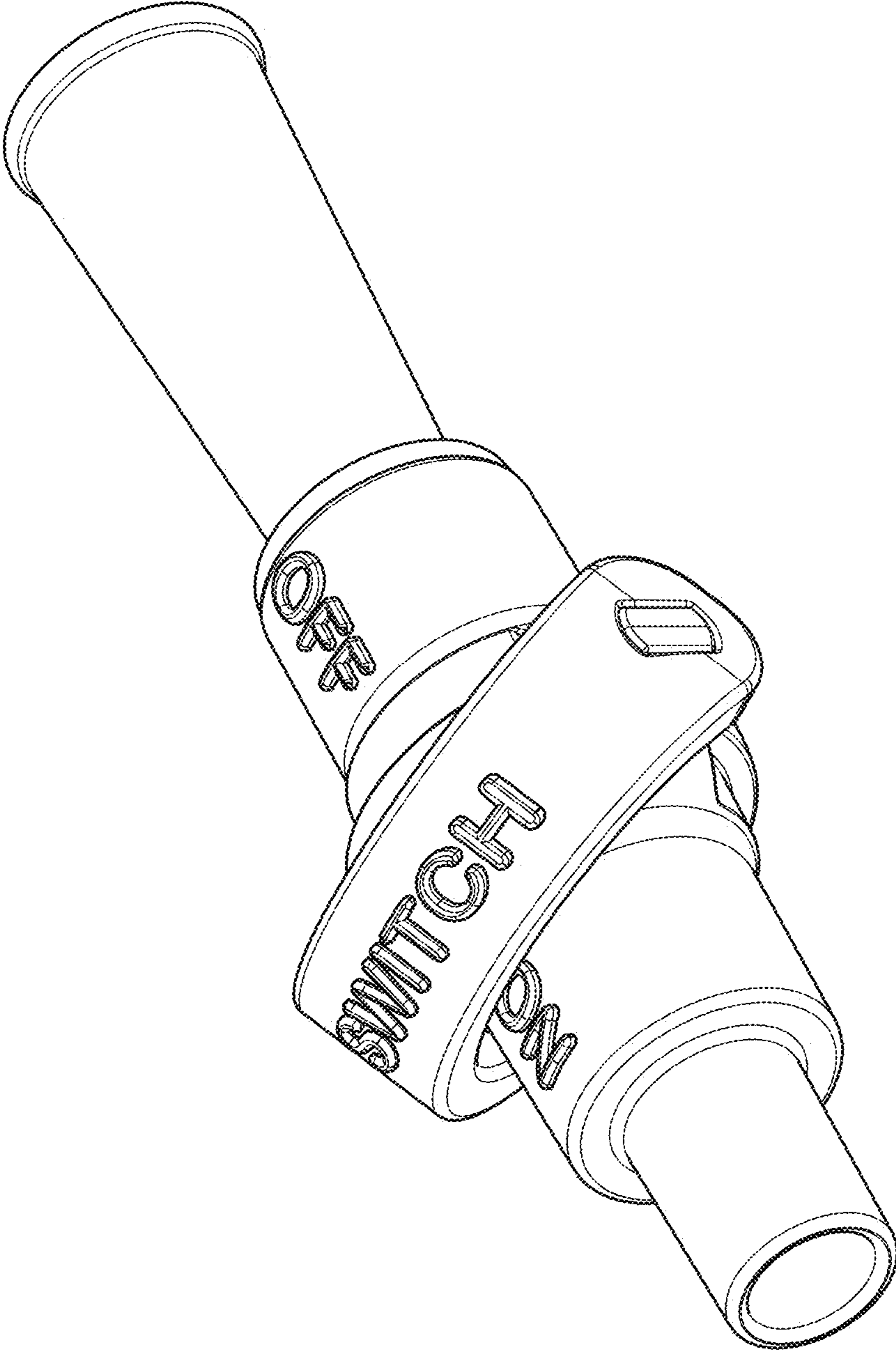


FIG. 2

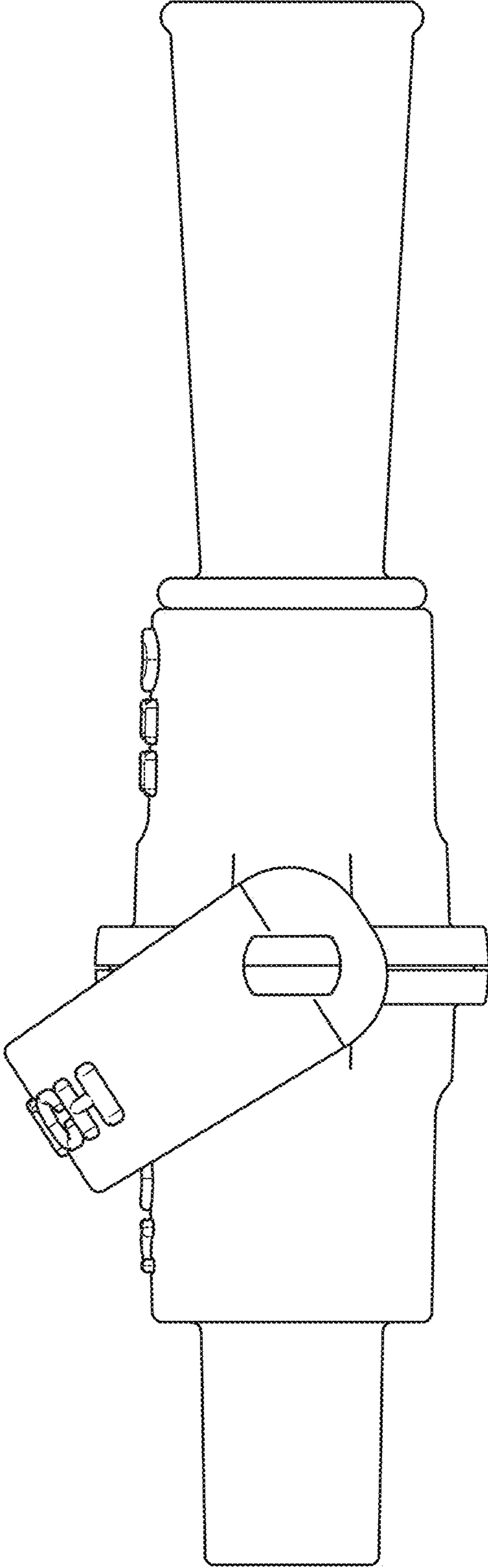


FIG. 3

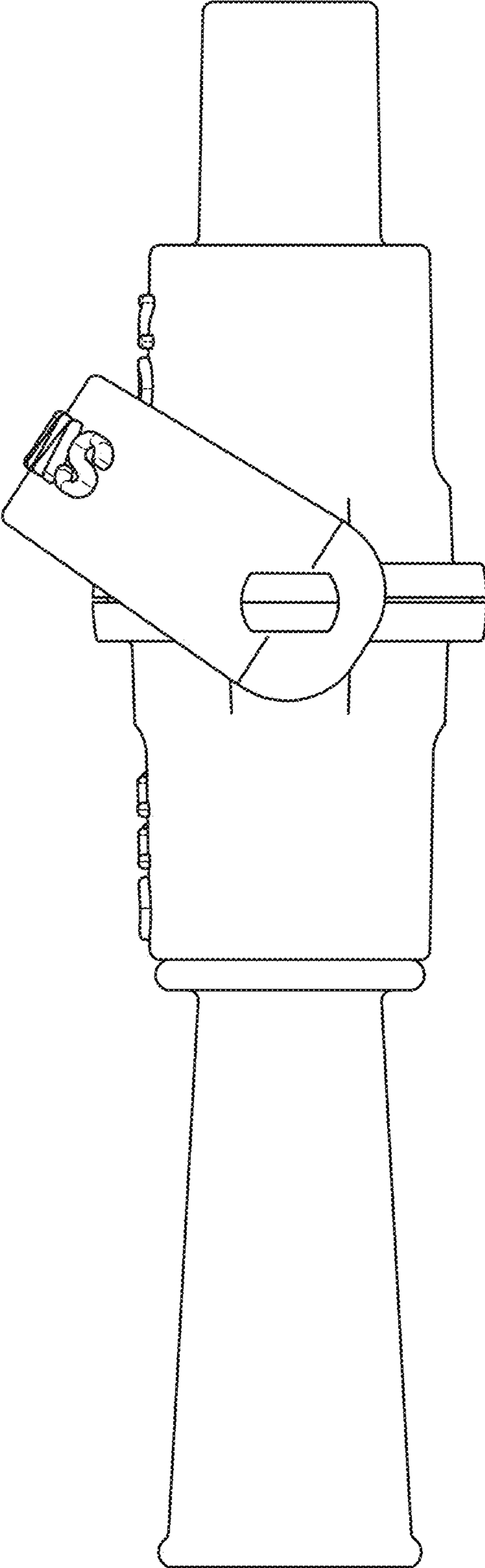


FIG. 4

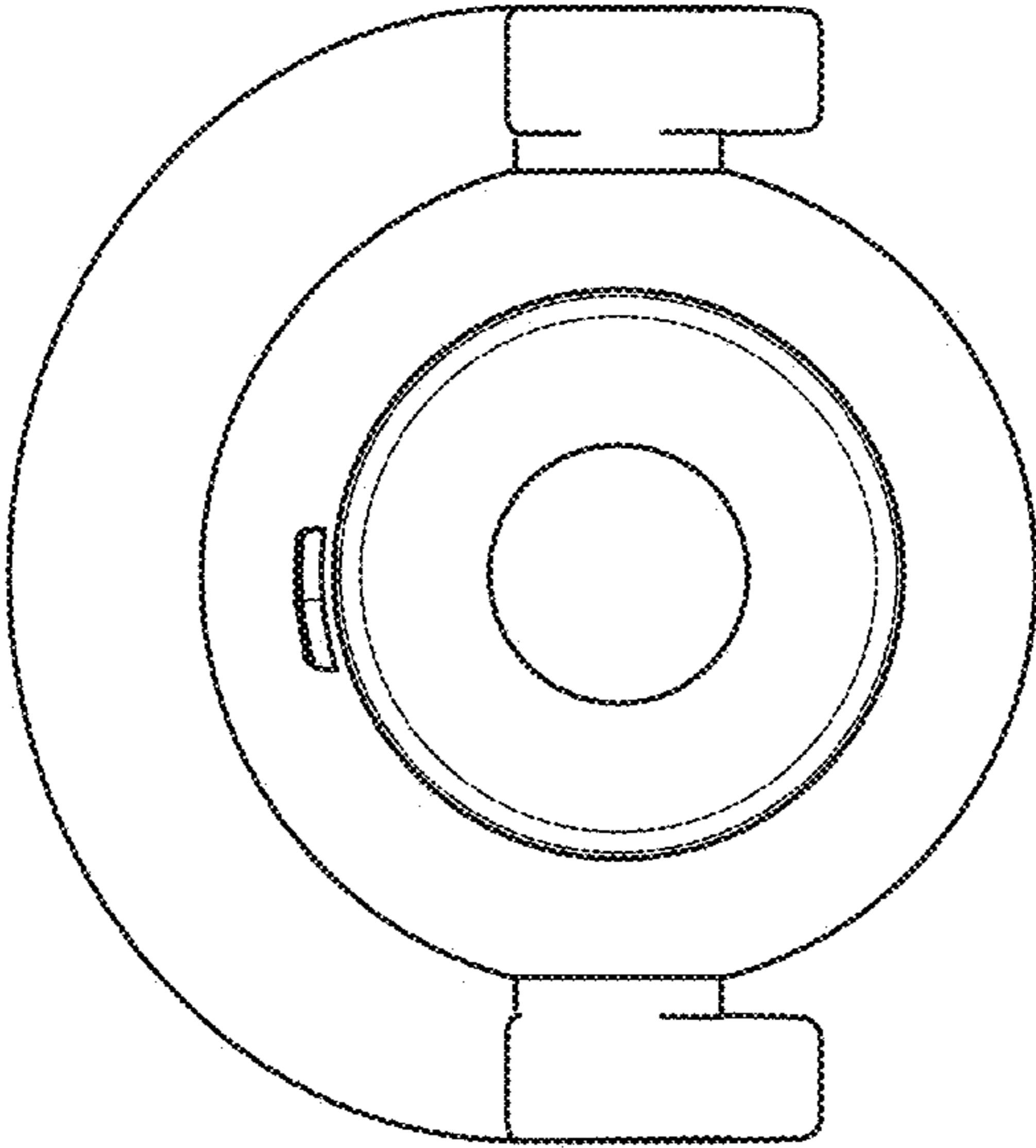


FIG. 5

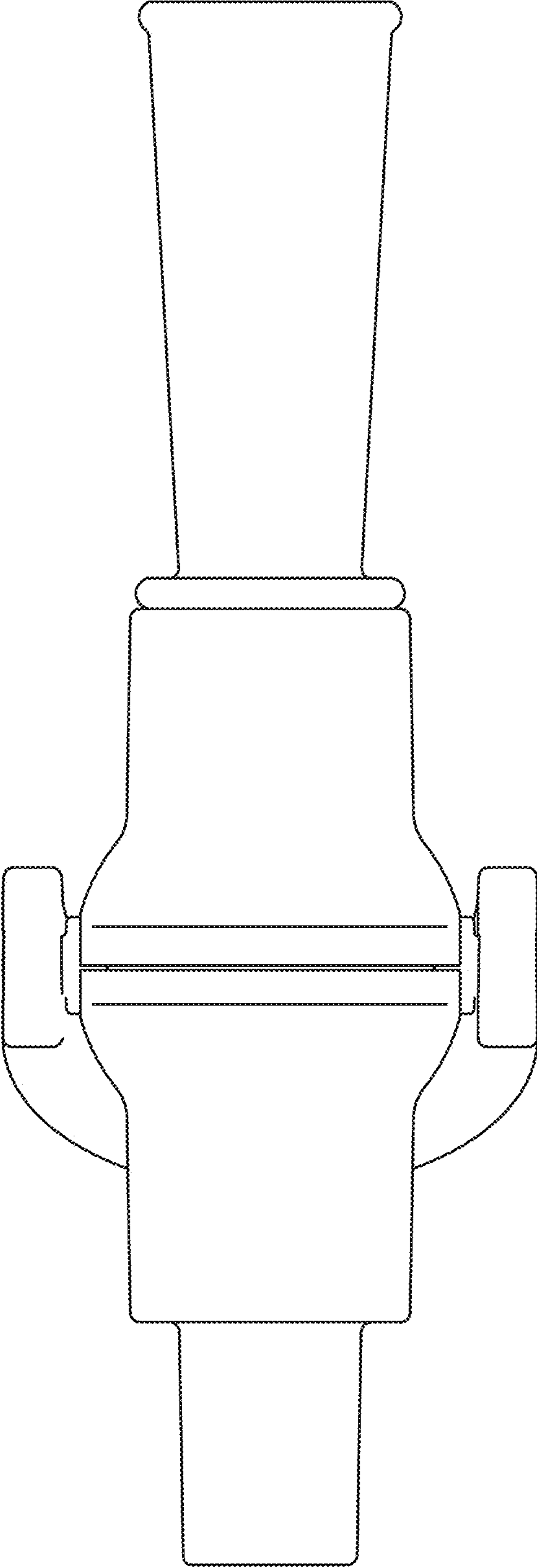


FIG. 6

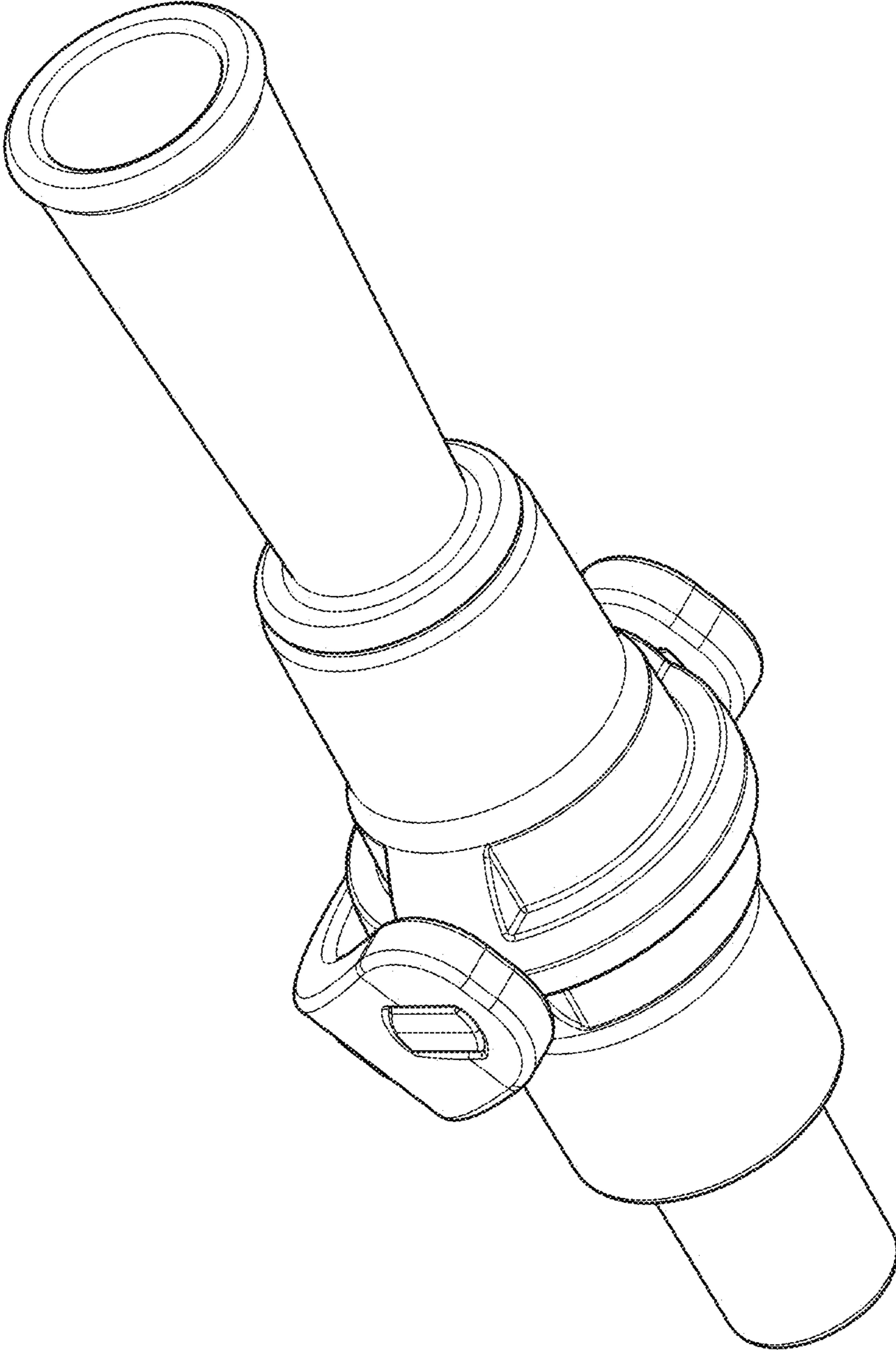


FIG. 7

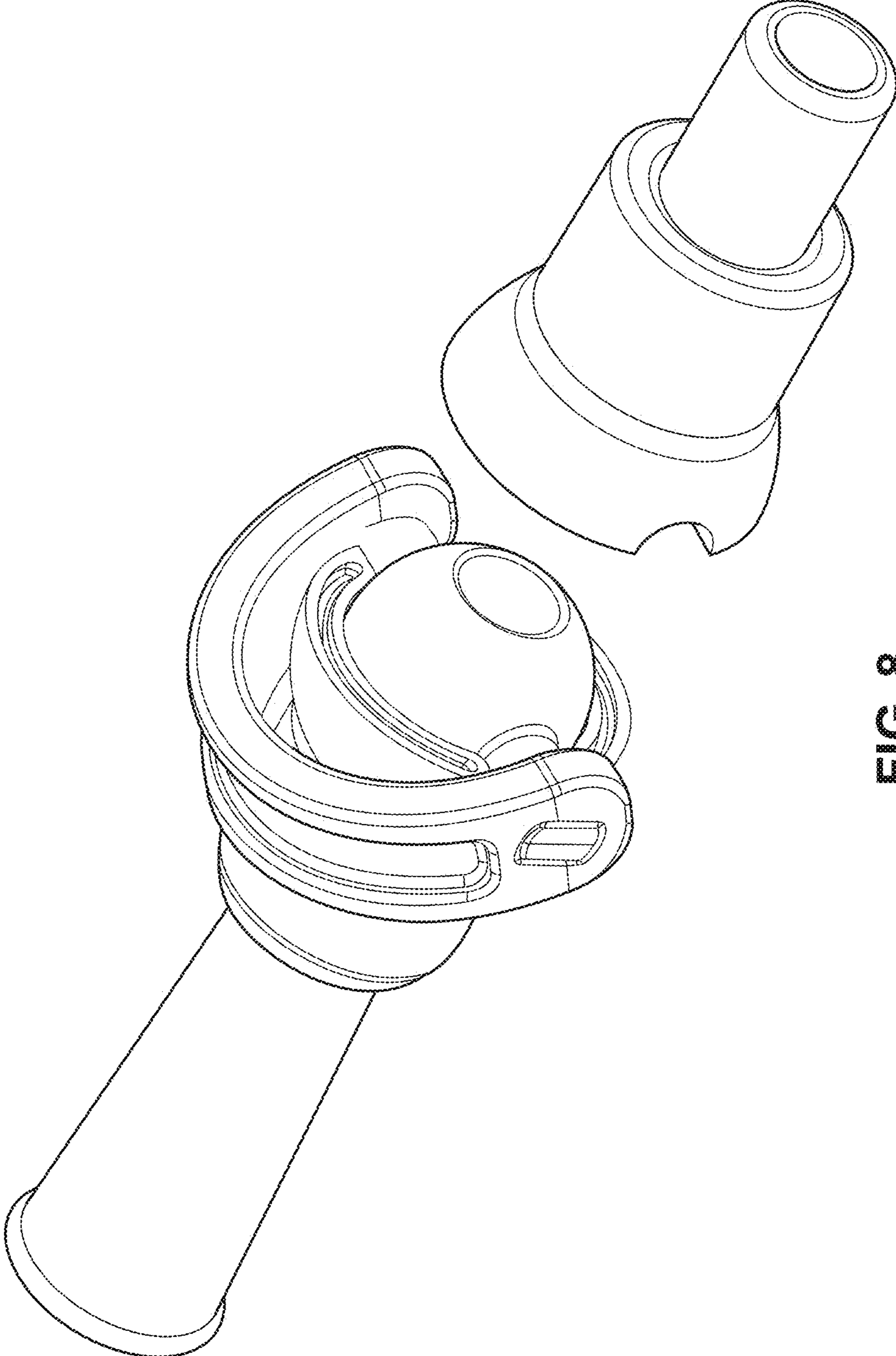


FIG. 8

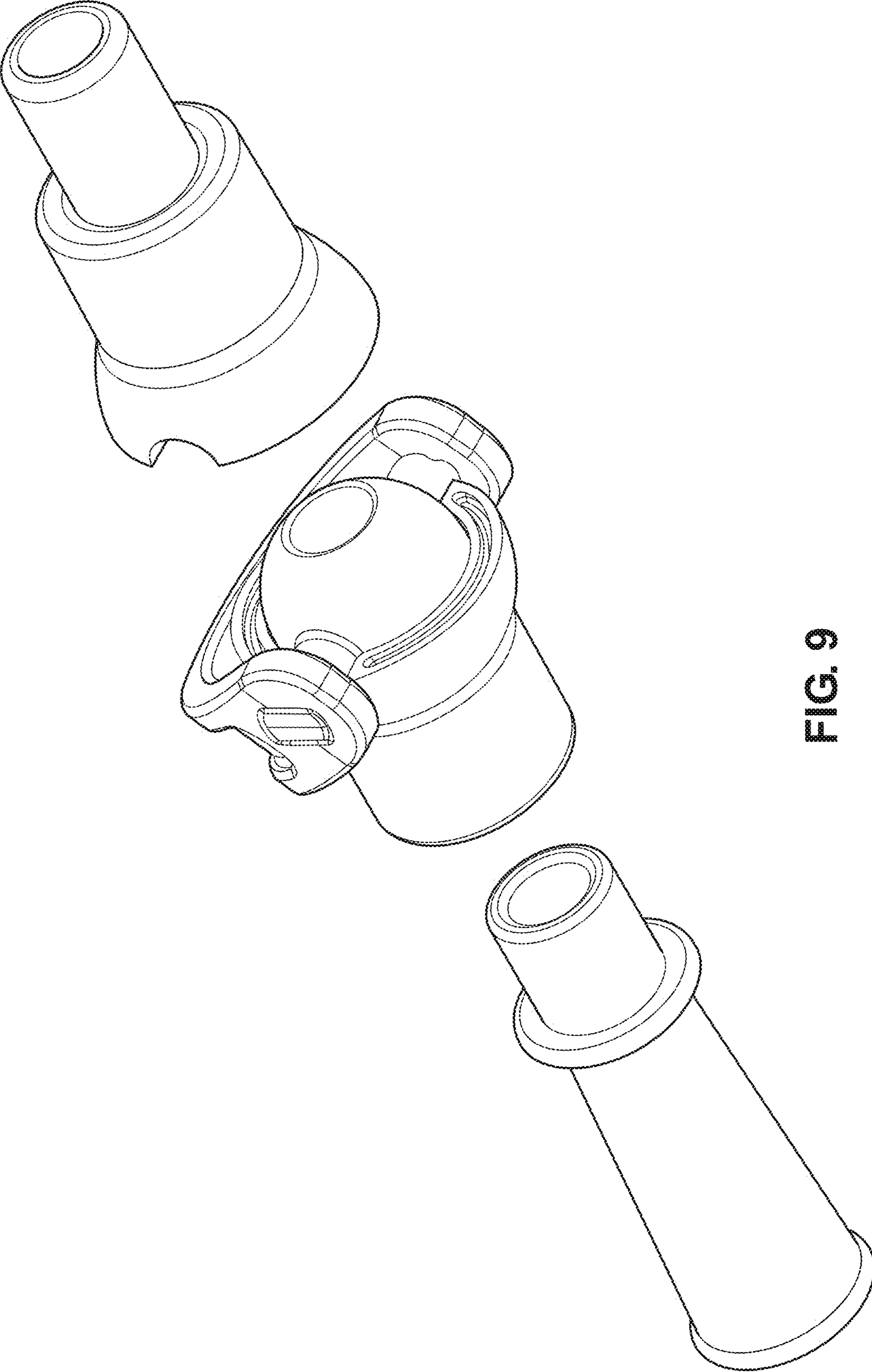


FIG. 9