



US00D968595S

(12) **United States Design Patent** (10) **Patent No.:** **US D968,595 S**  
**Brown** (45) **Date of Patent:** **\*\* Nov. 1, 2022**

(54) **FLEXIBLE RESERVOIR CLOSURE**

(71) Applicant: **Aquamira Technologies, Inc.**, Logan, UT (US)

(72) Inventor: **Dennis B. Brown**, Blacksburg, UT (US)

(73) Assignee: **AQUAMIRA, LLC**, North Logan, UT (US)

(\*\*) Term: **15 Years**

(21) Appl. No.: **29/773,059**

(22) Filed: **Mar. 5, 2021**

(51) **LOC (13) Cl.** ..... **24-02**

(52) **U.S. Cl.**  
USPC ..... **D24/127**

(58) **Field of Classification Search**  
USPC .... D24/127, 128, 129, 106, 143; D8/72, 73, D8/394, 396, 349, 354, 371, 382, 383; D12/223; D19/32, 86  
CPC ..... H01R 11/11; F16L 3/13; F16L 23/036  
See application file for complete search history.

(56) **References Cited**

**U.S. PATENT DOCUMENTS**

D390,447 S *	2/1998	Colen, Jr. ....	D8/356
D443,201 S *	6/2001	Bendick .....	D3/261
D518,687 S *	4/2006	Baker .....	D7/686
D627,105 S *	11/2010	Cho .....	D24/143
D651,885 S *	1/2012	Banasik .....	D8/72
D654,349 S *	2/2012	Schopf .....	D8/354
D679,391 S *	4/2013	Chinowsky .....	D24/127
D768,855 S *	10/2016	McMillan .....	D24/143
D807,161 S *	1/2018	Whitaker .....	D8/394
D938,025 S *	12/2021	Pitulat .....	D24/127
D938,581 S *	12/2021	Floyd .....	D24/127

(Continued)

**FOREIGN PATENT DOCUMENTS**

KR 301153129.0000 \* 3/2022

**OTHER PUBLICATIONS**

Food Bag Heat Sealer Handheld, Portable Mini Sealing Machine for Bag Food Storage, Kuiensi, [Post Date: Mar. 14, 2019], [Site seen Jun. 13, 2022], Seen at URL: <https://www.amazon.com/Handheld-Portable-Sealing-Switches-Separate/dp/B07PQ3HQ9B?th=1> (Year: 2019).\*

(Continued)

*Primary Examiner* — Natasha Vujcic

*Assistant Examiner* — Gilbert B Ford

(74) *Attorney, Agent, or Firm* — Perkins Coie LLP

(57) **CLAIM**

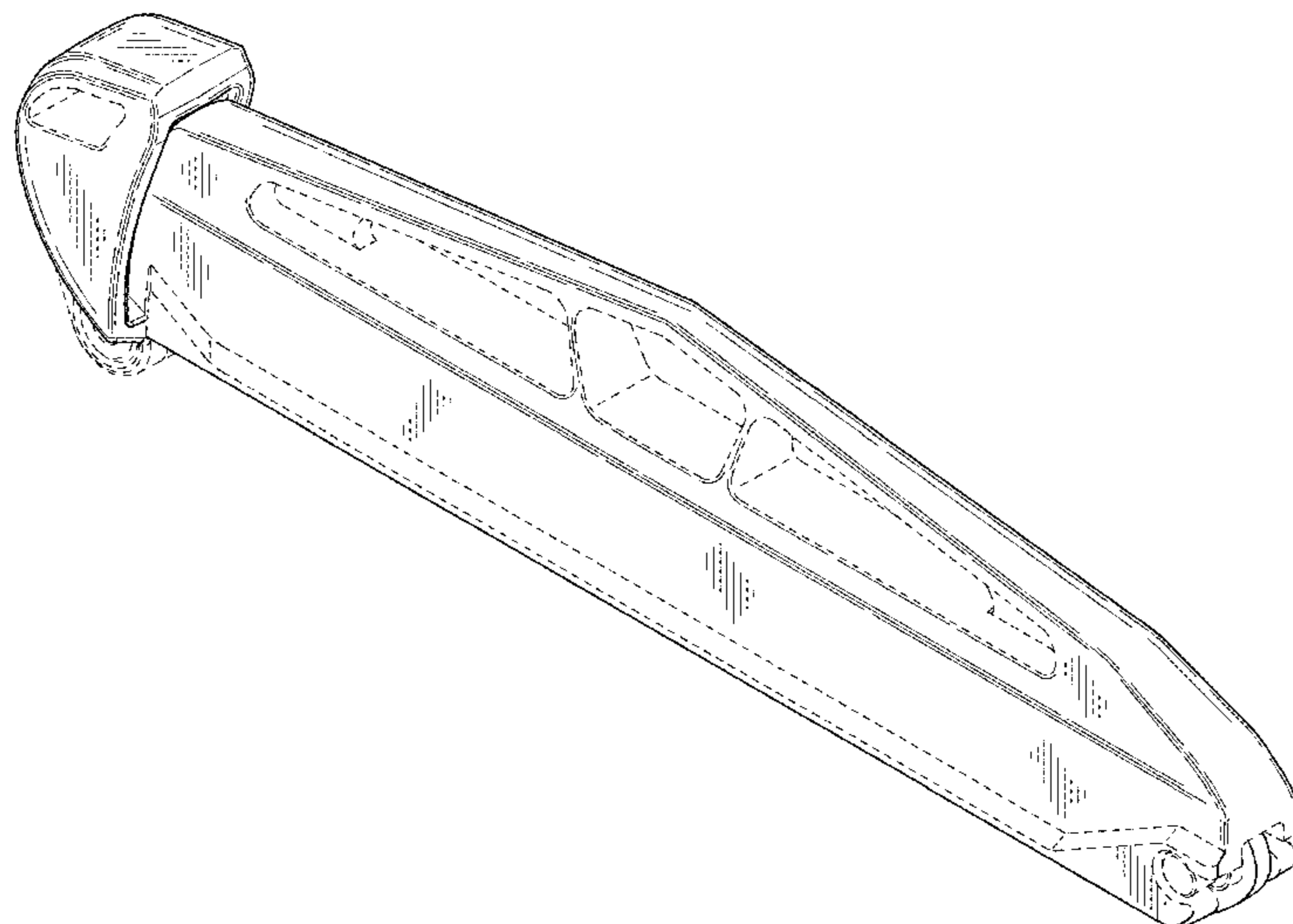
The ornamental design for a flexible reservoir closure, as shown and described.

**DESCRIPTION**

FIG. 1 is a perspective view of a flexible reservoir closure in a closed condition, embodying our new design; FIG. 2 is a first side elevation view thereof; FIG. 3 is a second side elevation view thereof; FIG. 4 is a first end elevation view thereof; FIG. 5 is a second end elevation view thereof; FIG. 6 is a top plan view thereof; FIG. 7 is a bottom plan view thereof; FIG. 8 is perspective view of the flexible reservoir closure in an open condition; FIG. 9 is a perspective view of the flexible reservoir closure attached to a flexible reservoir; FIG. 10 is a perspective cross section view 10-10 depicted in FIG. 9; and, FIG. 11 is an end cross section view 11-11 depicted in FIG. 9.

The broken lines in the drawings illustrate portions of the flexible reservoir closure and form no part of the claimed design.

**1 Claim, 11 Drawing Sheets**



(56)

**References Cited**

U.S. PATENT DOCUMENTS

D938,582 S \* 12/2021 Pitulat ..... D24/127

OTHER PUBLICATIONS

Pressurized Reservoir, Aquamira, youtube, [Post date: Sep. 23, 2021], [Site seen Jun. 13, 2022], Seen at URL: <https://www.youtube.com/watch?v=allnUM80Fcl> (Year: 2021).\*

Inden Sweden Twixit! Bag Clips—Set of 20—Keep Food Fresh, Prevent Spillage, Linden Sweden, [Post date: May 5, 2003], [Site seen Jun. 13, 2022], Seen at URL: [https://www.amazon.com/Linden-Sweden-Twixit-Clips-Dishwasher-Safe/dp/B000NYMUJM/ref=sxin\\_14\\_pa\\_sp\\_search\\_thematic\\_sspa](https://www.amazon.com/Linden-Sweden-Twixit-Clips-Dishwasher-Safe/dp/B000NYMUJM/ref=sxin_14_pa_sp_search_thematic_sspa) (Year: 2003).\*

Adamas-Beta Blue Dialysis Bag Clamp Dialysis Tubing Closure, 60mm, Pack of 10, Adamas Beta, Amazon, [Post date: Dec. 10, 2019], [site seen Jun. 13, 2022], Seen at URL: <https://www.amazon.com/Adamas-Beta-Dialysis-Clamp-Tubing-Closure/dp/B082KCPDYW?th=1> (Year: 2019).\*

\* cited by examiner

FIG. 1

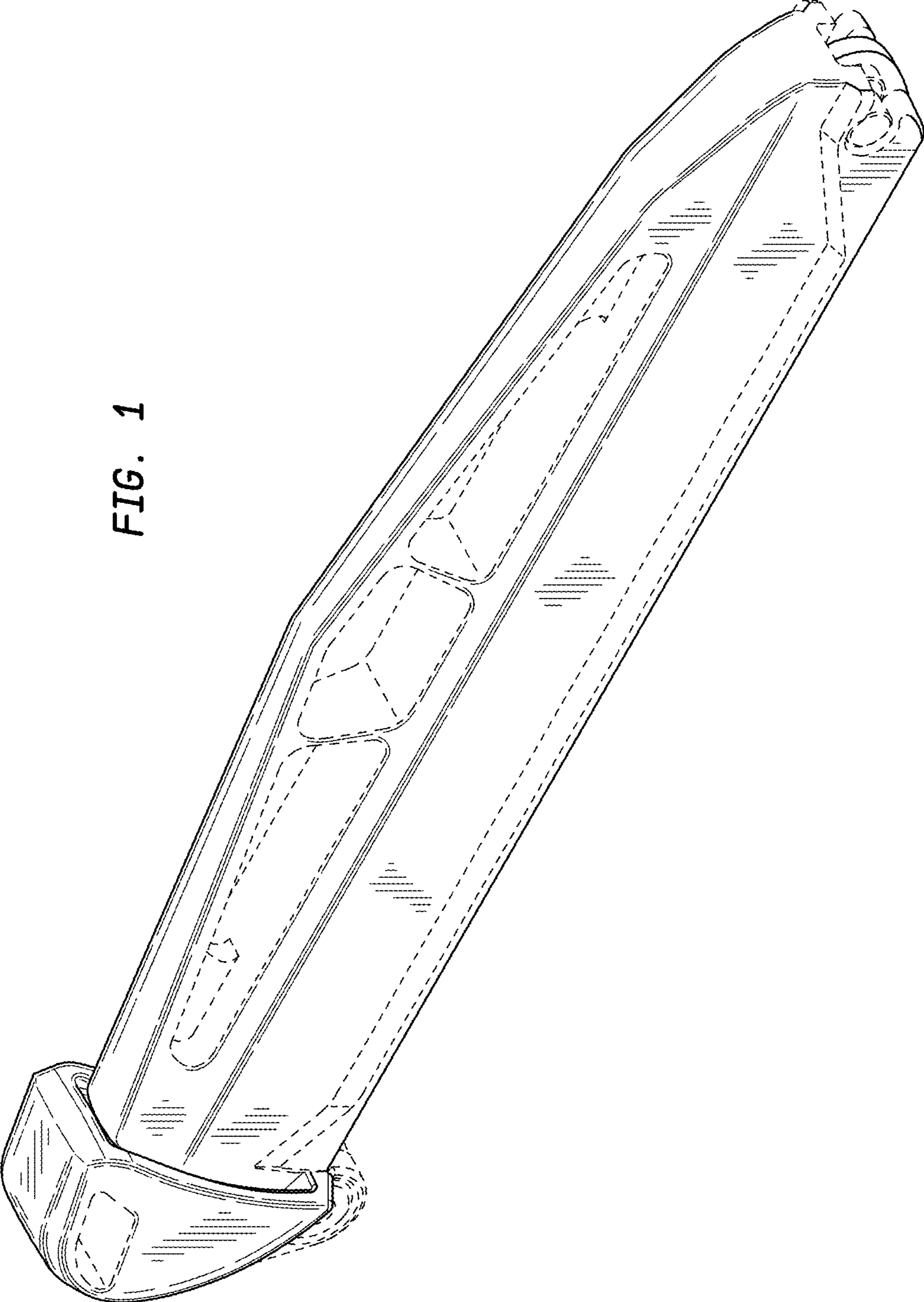


FIG. 2

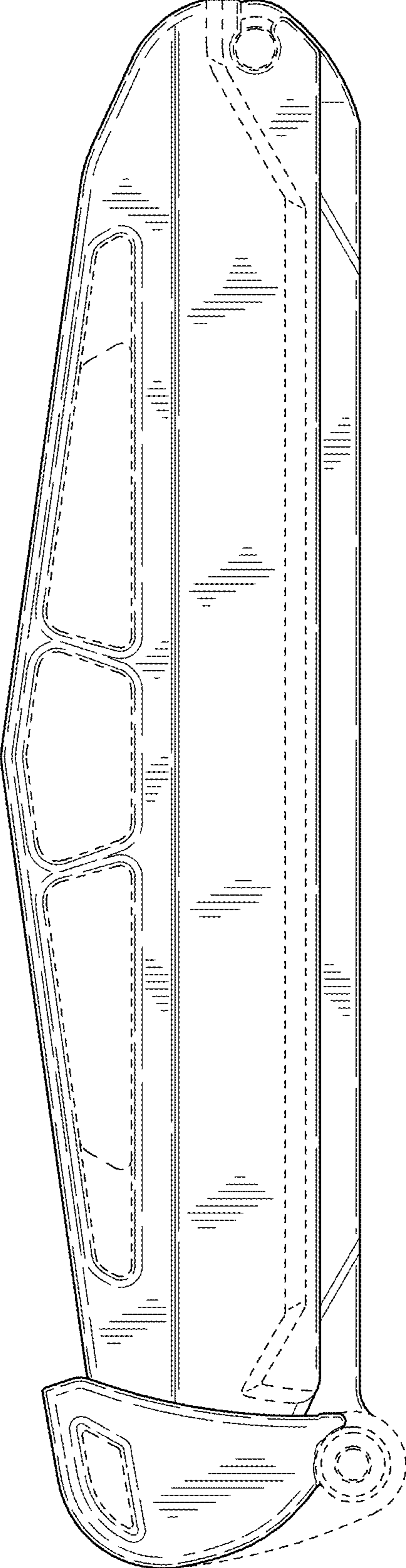
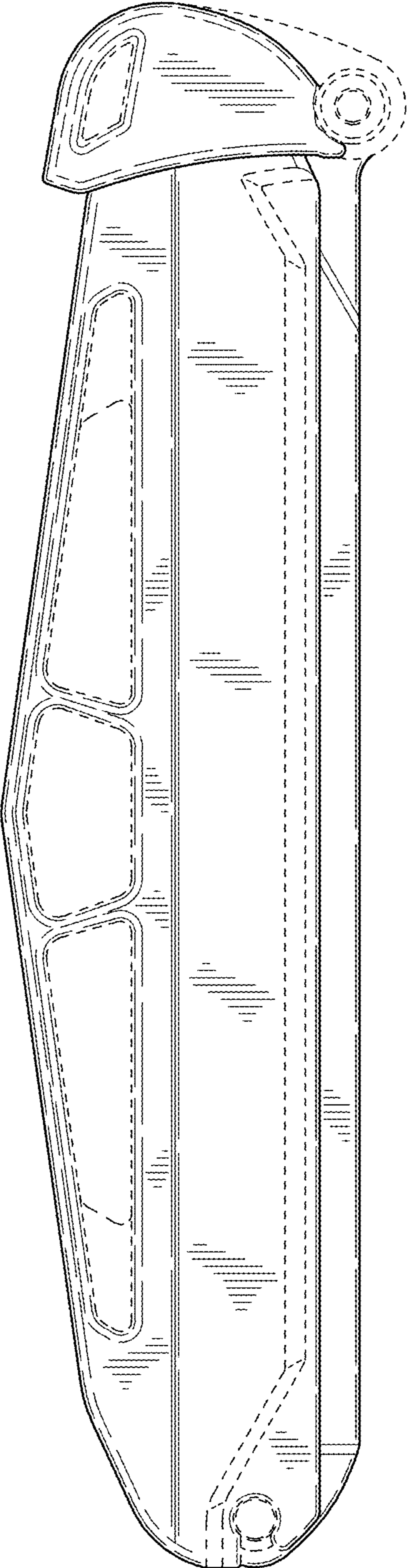
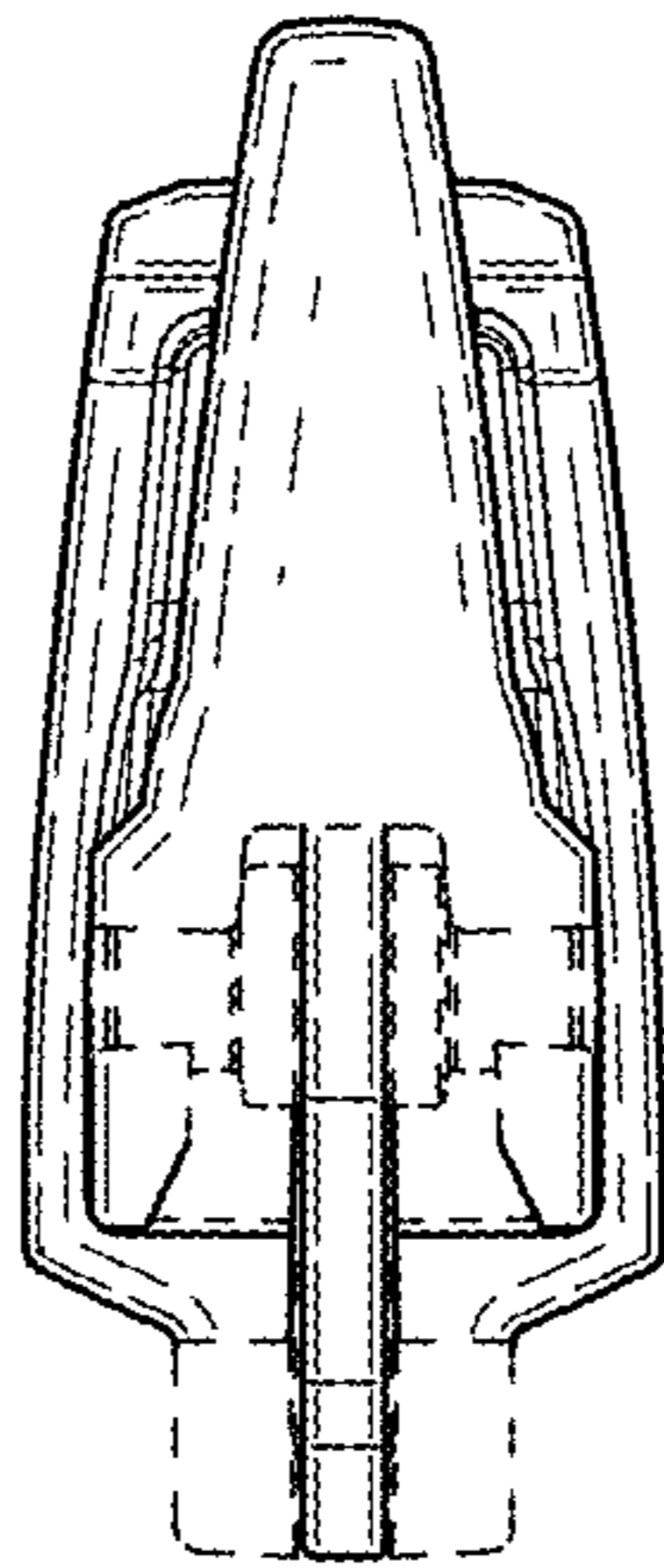


FIG. 3



*FIG. 4*



*FIG. 5*

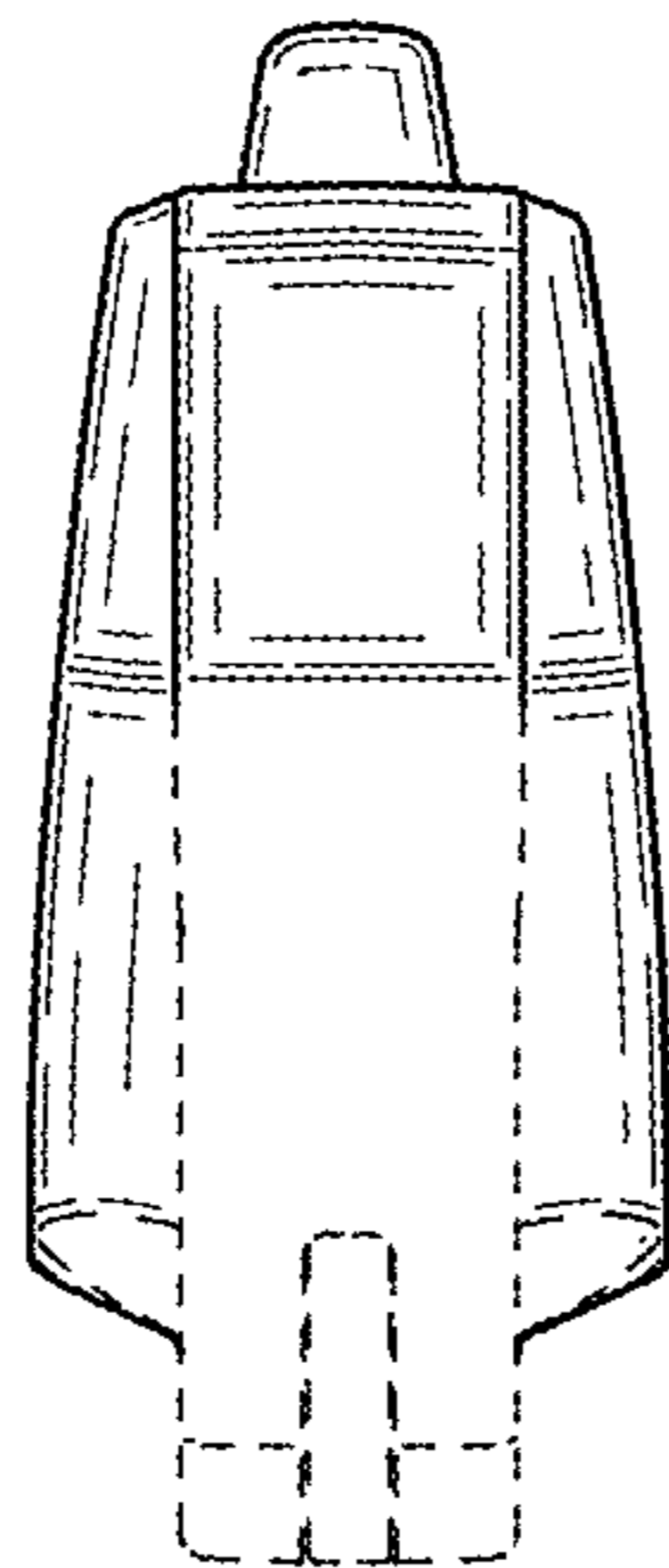


FIG. 6

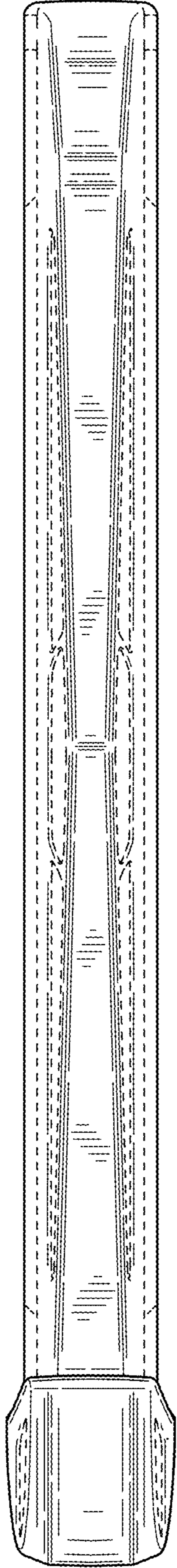




FIG. 7

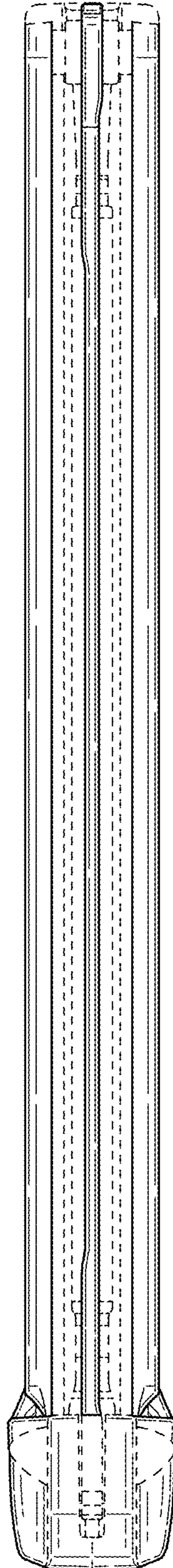
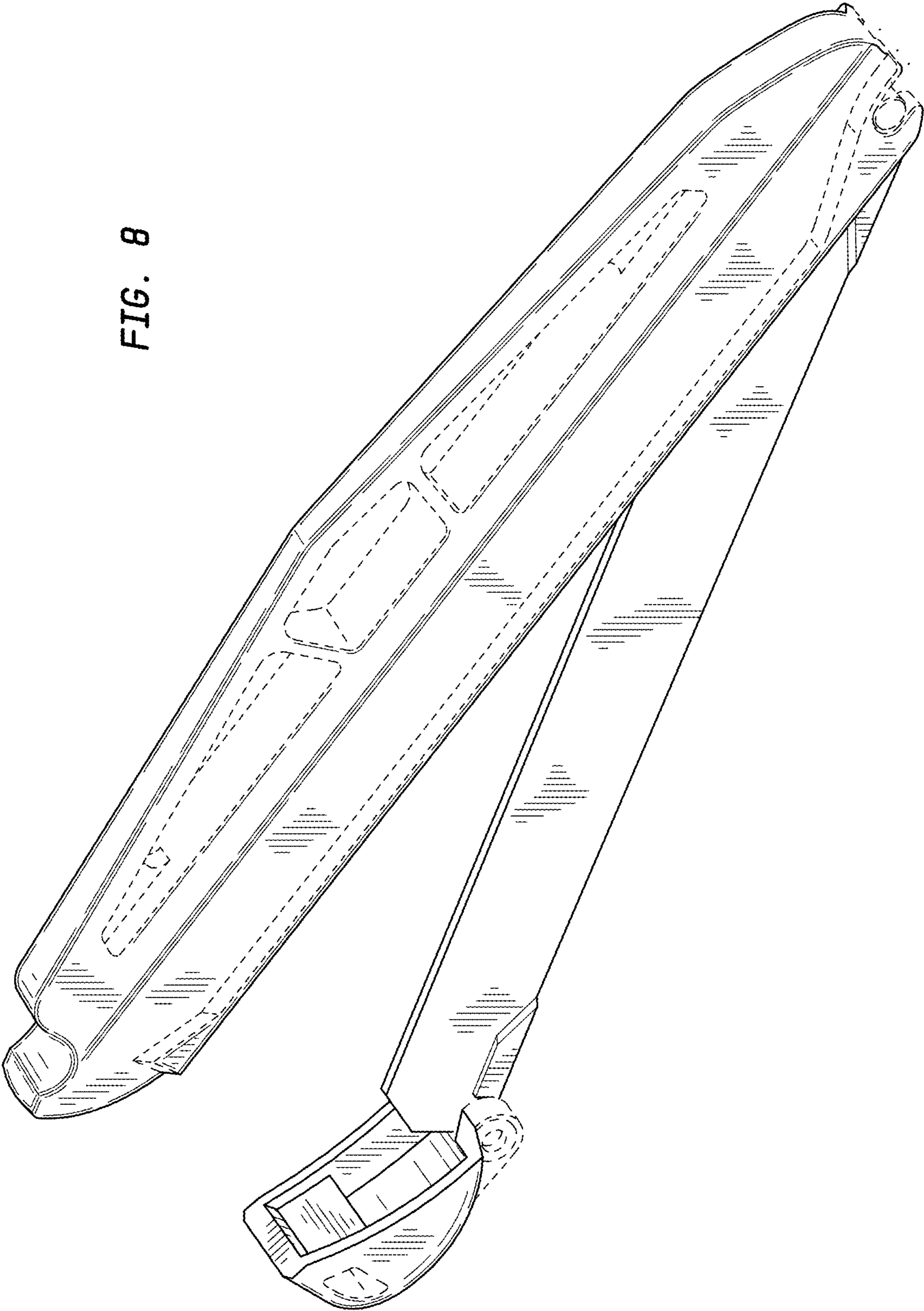


FIG. 8



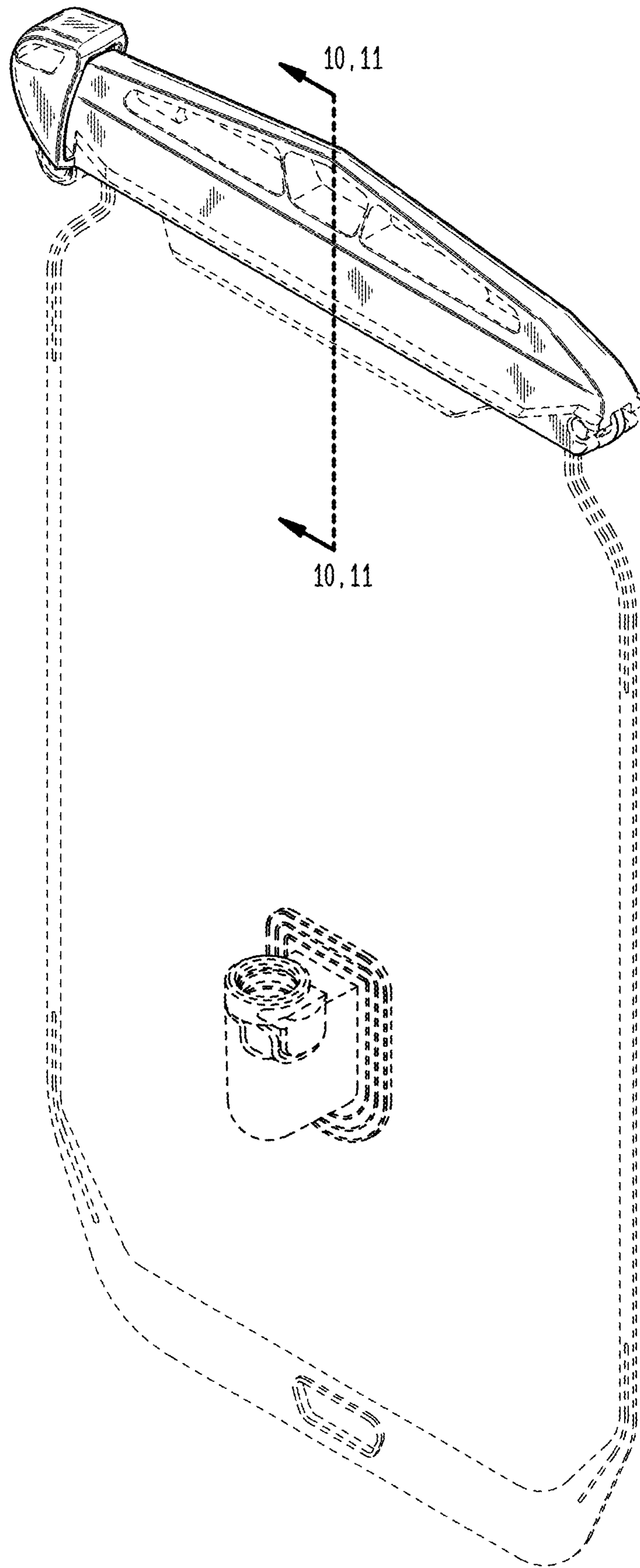


FIG. 9

FIG. 10

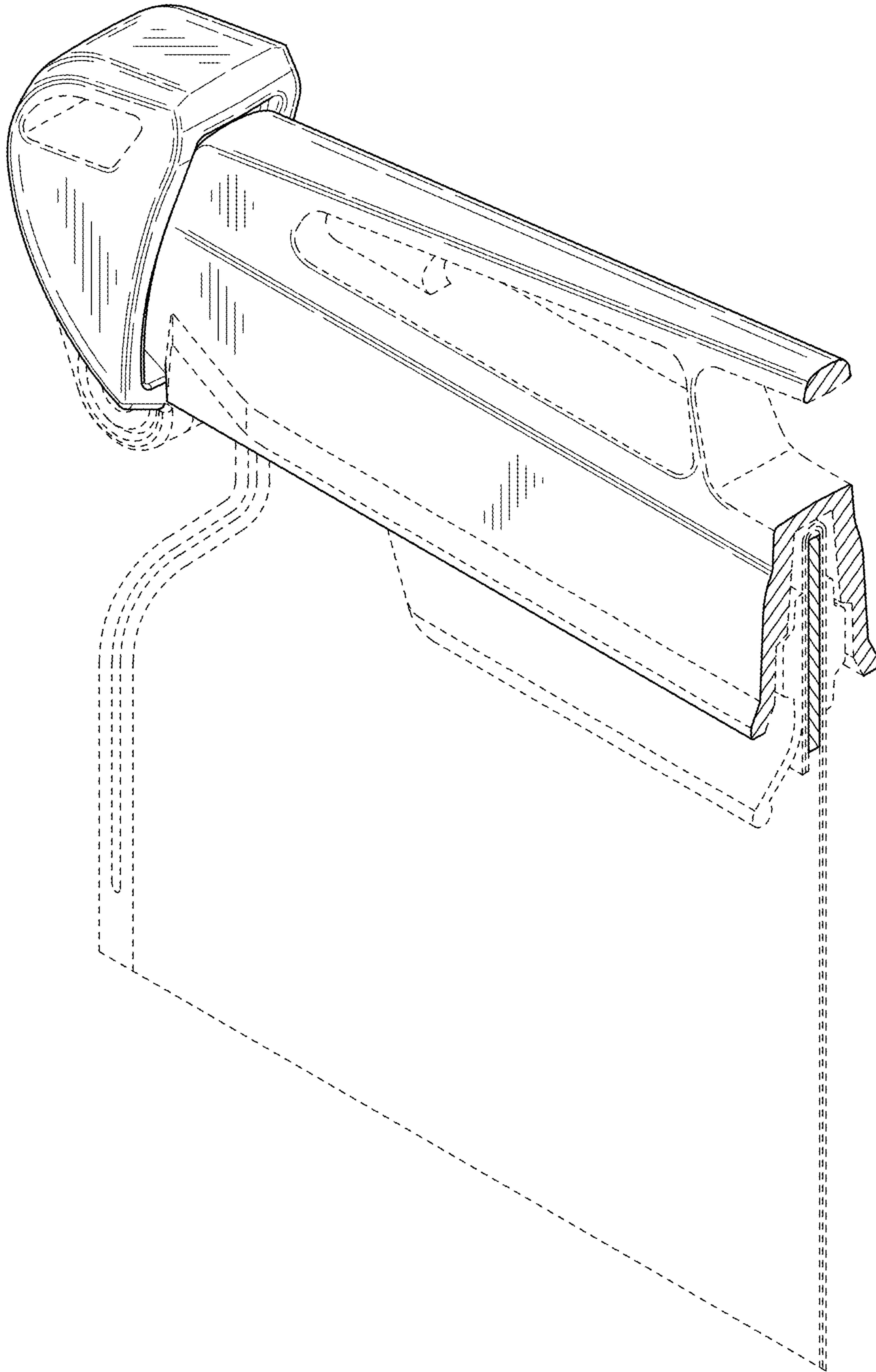
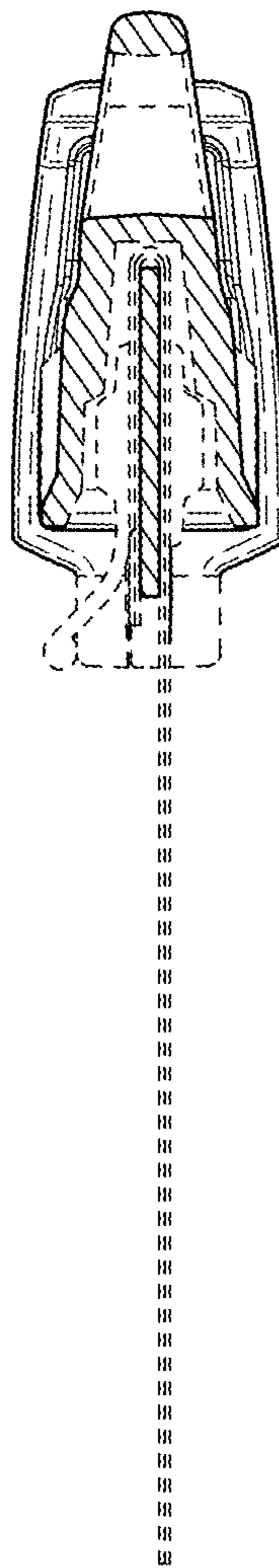


FIG. 11



UNITED STATES PATENT AND TRADEMARK OFFICE  
**CERTIFICATE OF CORRECTION**

PATENT NO. : D968,595 S  
APPLICATION NO. : 29/773059  
DATED : November 1, 2022  
INVENTOR(S) : Dennis B. Brown

Page 1 of 1

It is certified that error appears in the above-identified patent and that said Letters Patent is hereby corrected as shown below:

On the Title Page

- In item (72), in Column 1, for “Inventor”, delete “Dennis B. Brown, Blacksburg, UT (US)” and insert -- Dennis B. Brown, Logan, UT --, therefor.
- In item (73), in Column 1, for “Assignee”, delete “AQUAMIRA, LLC, North Logan, UT (US)” and insert -- AQUAMIRA, LLC, LOGAN, UT (US) --, therefor.

Signed and Sealed this  
Twenty-seventh Day of December, 2022



Katherine Kelly Vidal  
*Director of the United States Patent and Trademark Office*