



US00D968594S

(12) **United States Design Patent**
Toldi et al.

(10) **Patent No.:** **US D968,594 S**

(45) **Date of Patent:** **** Nov. 1, 2022**

(54) **PROTECTIVE COVER FOR INSULIN PUMP**

(71) Applicants: **Erika Toldi**, Szekesfehervar (HU);
Zoltan Szabo, Szekesfehervar (HU)

(72) Inventors: **Erika Toldi**, Szekesfehervar (HU);
Zoltan Szabo, Szekesfehervar (HU)

(**) Term: **15 Years**

(21) Appl. No.: **29/757,392**

(22) Filed: **Nov. 5, 2020**

(30) **Foreign Application Priority Data**

Jul. 31, 2020 (EM) 008061782-0001

(51) **LOC (13) Cl.** **24-02**

(52) **U.S. Cl.**
USPC **D24/127**

(58) **Field of Classification Search**
USPC D24/107, 108, 111, 121, 127, 128, 132,
D24/207, 216, 224, 227, 231; D3/201,
D3/203.8, 271, 318; D7/602, 612, 629;
D8/346; D9/426, 530, 542, 455;
D13/103; D14/440; D23/356, 359, 360
CPC ... G16H 20/17; G16H 40/63; A61M 5/14244;
A61M 5/1723; A61M 2005/14208
See application file for complete search history.

(56) **References Cited**

U.S. PATENT DOCUMENTS

D262,238 S * 12/1981 Stuetzer D27/154
4,965,148 A * 10/1990 Daio H01M 6/44
429/159
D332,347 S * 1/1993 Raadt D3/18
D346,212 S * 4/1994 Hosl D24/108
D388,511 S * 12/1997 Jane' D23/356
D398,513 S * 9/1998 Turner D8/346
D421,199 S * 2/2000 Hashimoto D7/312
D426,513 S * 6/2000 Toops D13/103
D457,949 S * 5/2002 Krug D24/111

D461,891 S * 8/2002 Moberg D24/111
D464,570 S * 10/2002 Maser D9/516
D491,888 S * 6/2004 Lee D13/103
D606,299 S * 12/2009 Boomhour D3/201
D623,126 S * 9/2010 Contreras D13/103
D624,390 S * 9/2010 Wasserman D8/346
D649,658 S * 11/2011 Belfance D24/224
D693,114 S * 11/2013 Lemanski, Sr. D3/203.8

(Continued)

OTHER PUBLICATIONS

[Sugar Medical—Insulin Pump Gel Skin—Soft Silicone Cover Insulin Pumps (Grey)], Amazon.com, Date First Available: May 27, 2020 [online], Customer Review Oldest Date: Date [Jan. 28, 2020], site visited: [Jan. 7, 2022], URL: <https://www.amazon.com/dp/B088MGM8DH>. (Year: 2020).*

(Continued)

Primary Examiner — Jonathan J Han
Assistant Examiner — Amanda J Berlinski
(74) *Attorney, Agent, or Firm* — Olso

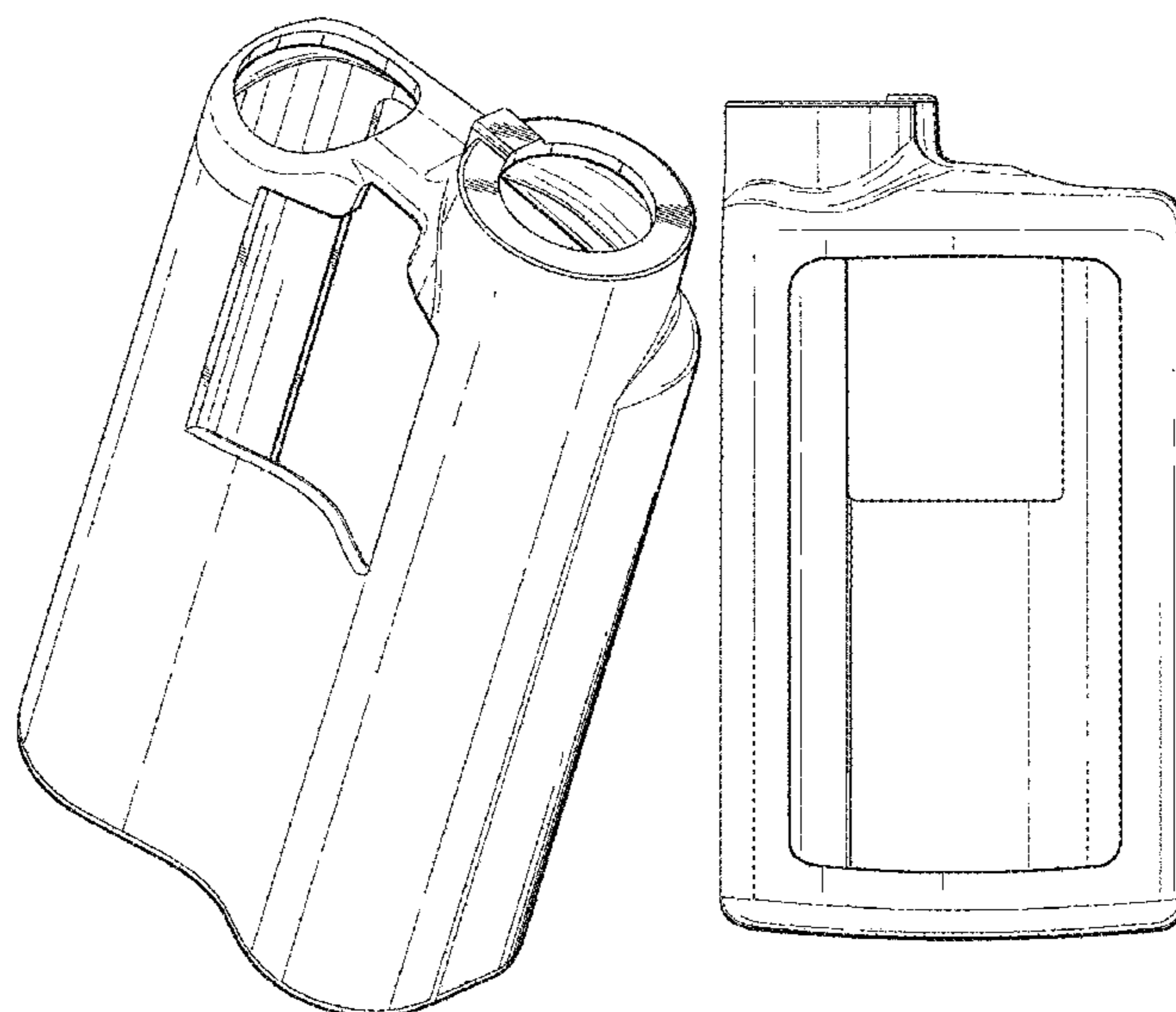
(57) **CLAIM**

The ornamental design for a protective cover for insulin pump, as shown and described.

DESCRIPTION

FIG. 1 is a perspective view of the protective cover for insulin pump with cartridge port and battery port covers unattached;
FIG. 2 is a front view thereof;
FIG. 3 is a rear view thereof;
FIG. 4 is one side view thereof;
FIG. 5 is the other side view thereof;
FIG. 6 is a top view thereof with cartridge port and battery port covers attached;
FIG. 7 is a bottom view thereof; and,
FIG. 8 is a top view thereof with cartridge port and battery port covers unattached.

1 Claim, 4 Drawing Sheets



(56)

References Cited

U.S. PATENT DOCUMENTS

D693,820 S * 11/2013 Eastwood D14/440
 D711,724 S * 8/2014 Newchurch D8/346
 8,922,380 B2 * 12/2014 O'Connor A61M 5/14244
 340/626
 D729,366 S * 5/2015 Kauss D23/360
 D736,636 S * 8/2015 Zaima D9/522
 D747,793 S * 1/2016 Wright D24/110
 9,492,607 B2 * 11/2016 Kamen A61M 5/445
 D776,264 S * 1/2017 Tyce D24/113
 D778,235 S * 2/2017 Geier D13/103
 D780,582 S * 3/2017 Tulencik D9/455
 9,675,751 B2 * 6/2017 Hwang A61M 5/14248
 D801,507 S * 10/2017 Kelnhofer D23/366
 D825,098 S * 8/2018 Fornarelli D27/101
 D846,146 S * 4/2019 Amos A61M 5/16831
 D24/231
 D854,131 S * 7/2019 Ediger A63F 13/812
 D23/356
 D877,321 S * 3/2020 DiMatteo A61M 5/14244
 D24/110
 10,751,598 B2 * 8/2020 Cottam A63F 13/812
 D918,381 S * 5/2021 Luong D24/111
 D921,188 S * 6/2021 Shor D24/111

D921,190 S * 6/2021 Shor A61M 5/14248
 D24/111
 2002/0127468 A1 * 9/2002 Wani H01M 50/256
 429/96
 2016/0361494 A1 * 12/2016 Jurg A61M 5/16831

OTHER PUBLICATIONS

[Silicone Skins], available on medtronicdiabetes.com, posted Jun. 22, 2015 [online], [site visited Jan. 7, 2022], Internet URL: <<https://www.medtronicdiabetes.com/loop-blog/accessorize/silicone-skins/>>. (Year: 2015).*

Medtronic Diabetes [@MDT_Diabetes]. "Our new #MiniMed #630G system is available in classic black. Give it your own paint job with 5 new silicone skins. <http://bit.ly/2b3w9kz>" Twitter.com, Published: [Sep. 28, 2016], Site Visited: [Jan. 7, 2022], URL: <https://twitter.com/mdt_diabetes/status/781171855692591105>. (Year: 2016).*

Medtronic Diabetes [@MDT_Diabetes]. "Daylight saving is here! When you're changing the time on your watch, appliances and clocks, don't forget about your pump: <http://bit.ly/2P7xsH6>" Twitter.com, Published: [Mar. 9, 2019], Site Visited: [Jan. 7, 2022], URL: <https://twitter.com/MDT_Diabetes/status/1104450340227702784>. (Year: 2019).*

* cited by examiner

Fig. 1

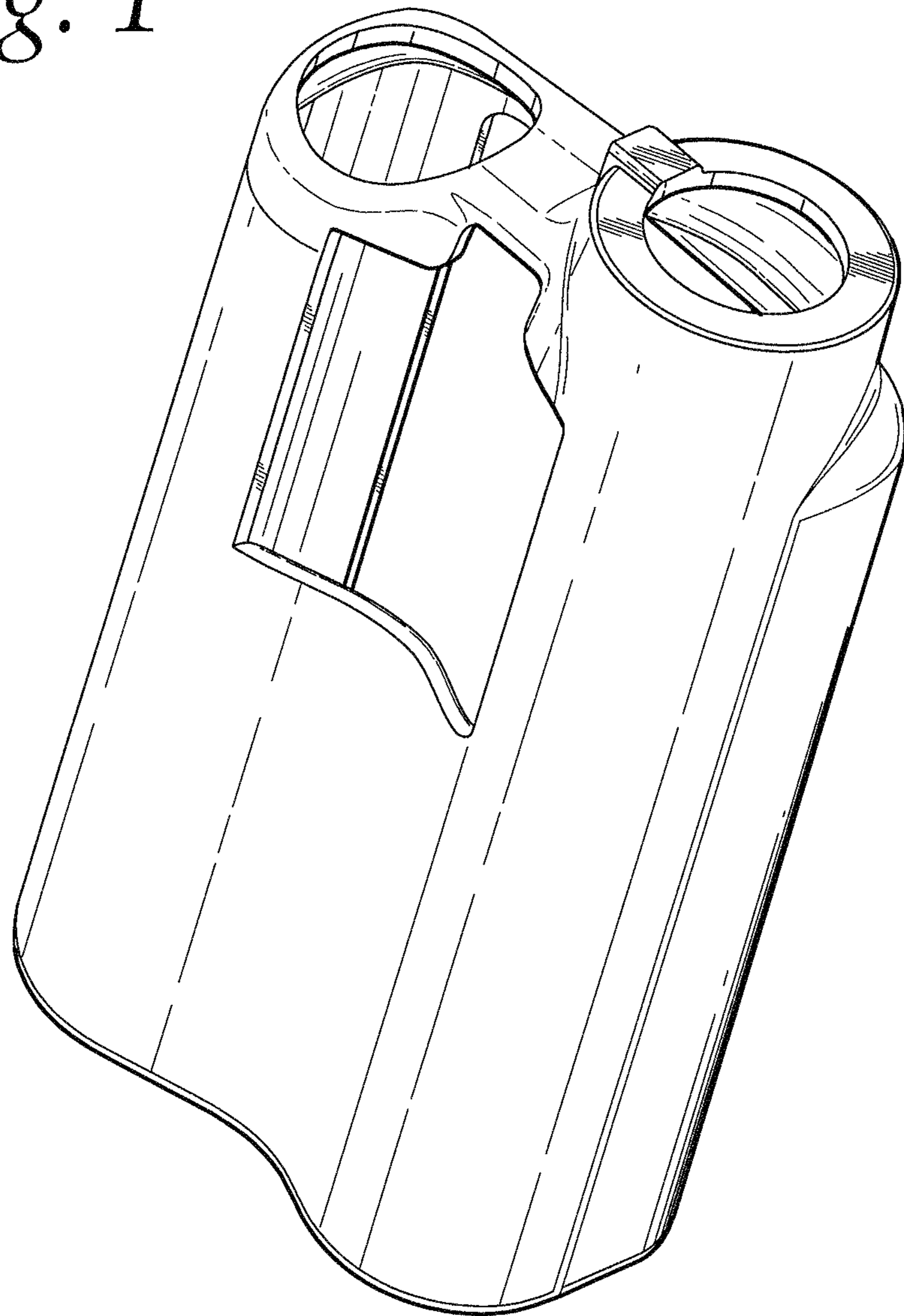


Fig. 3

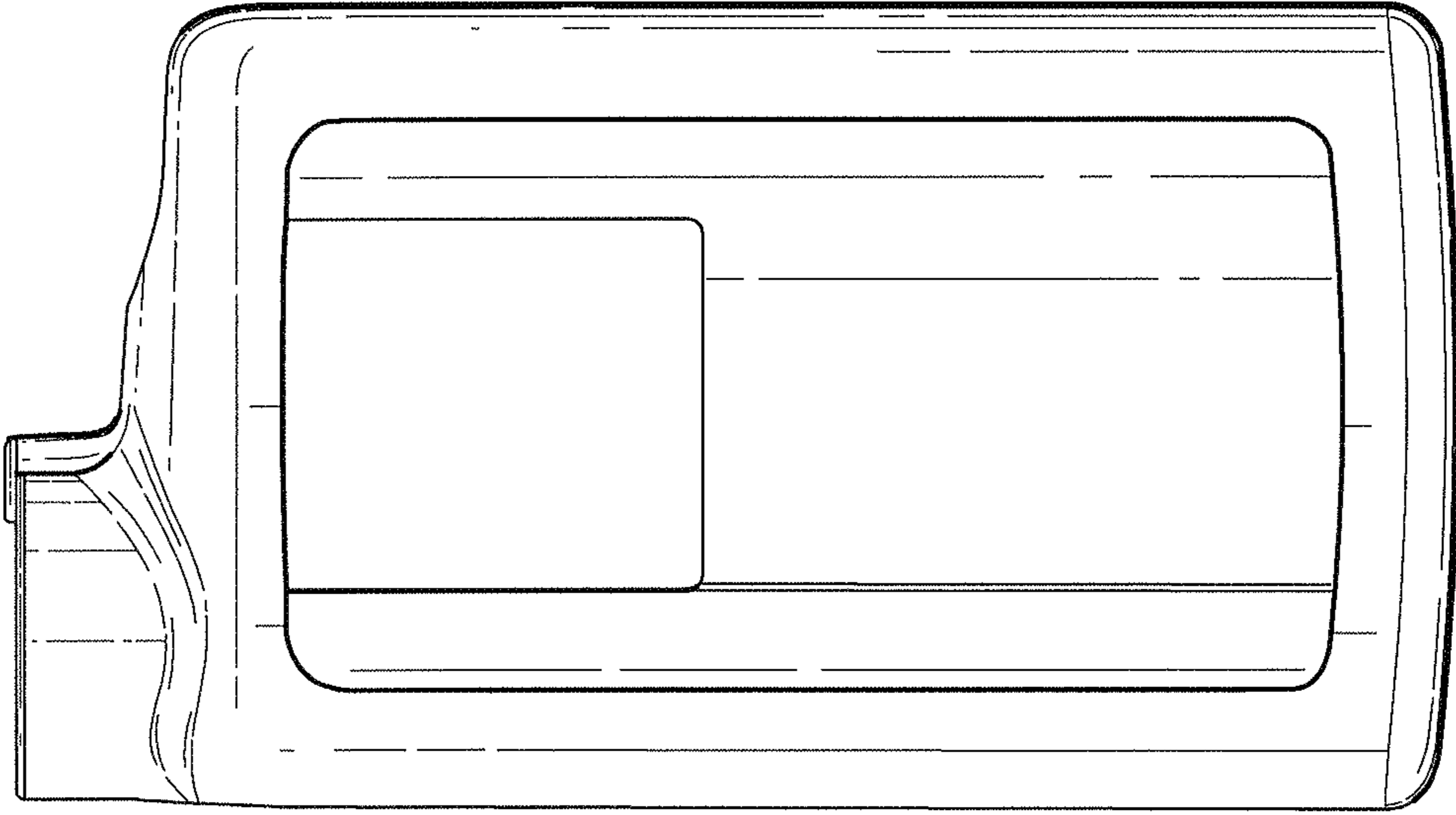


Fig. 2

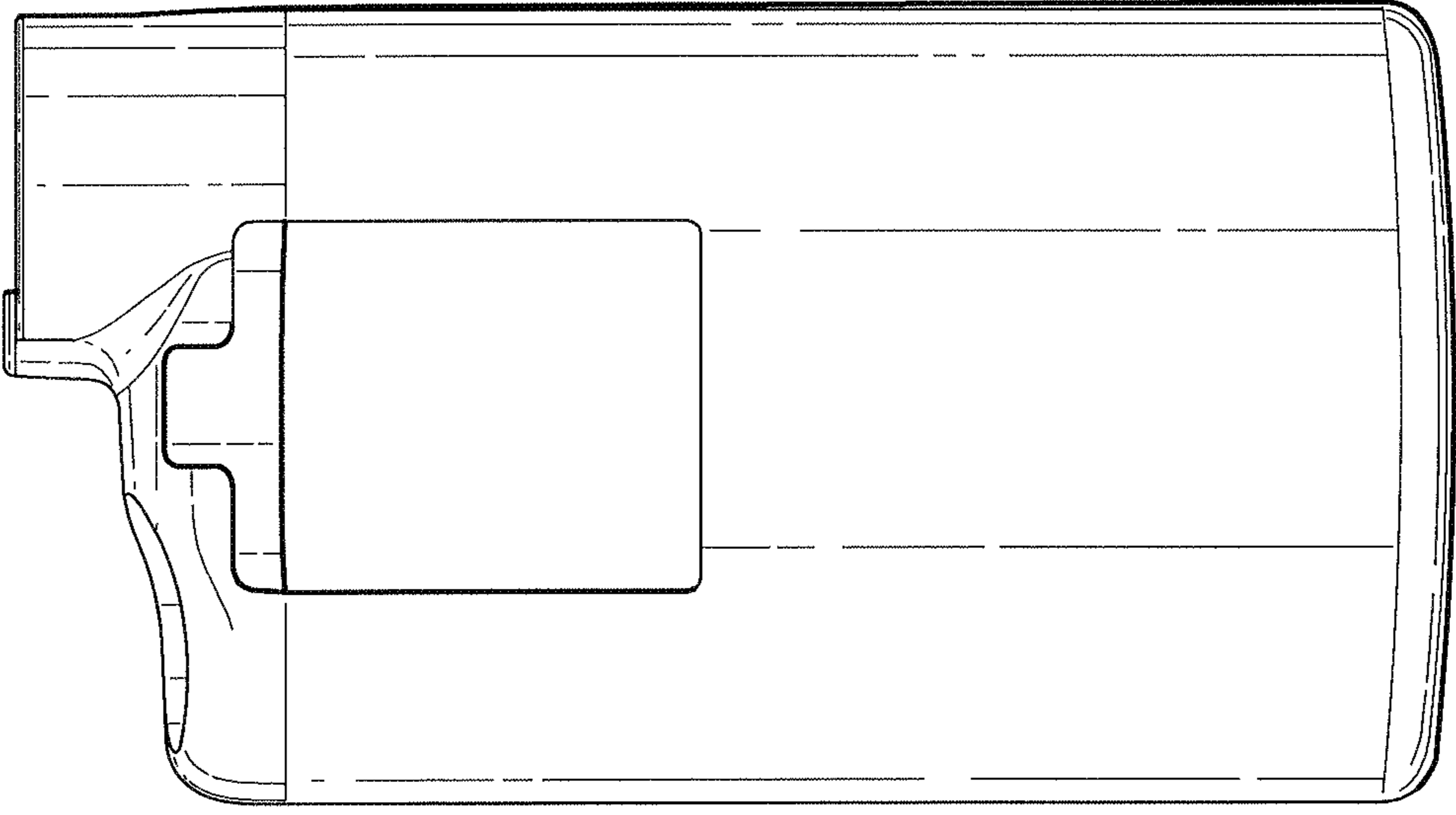


Fig. 4

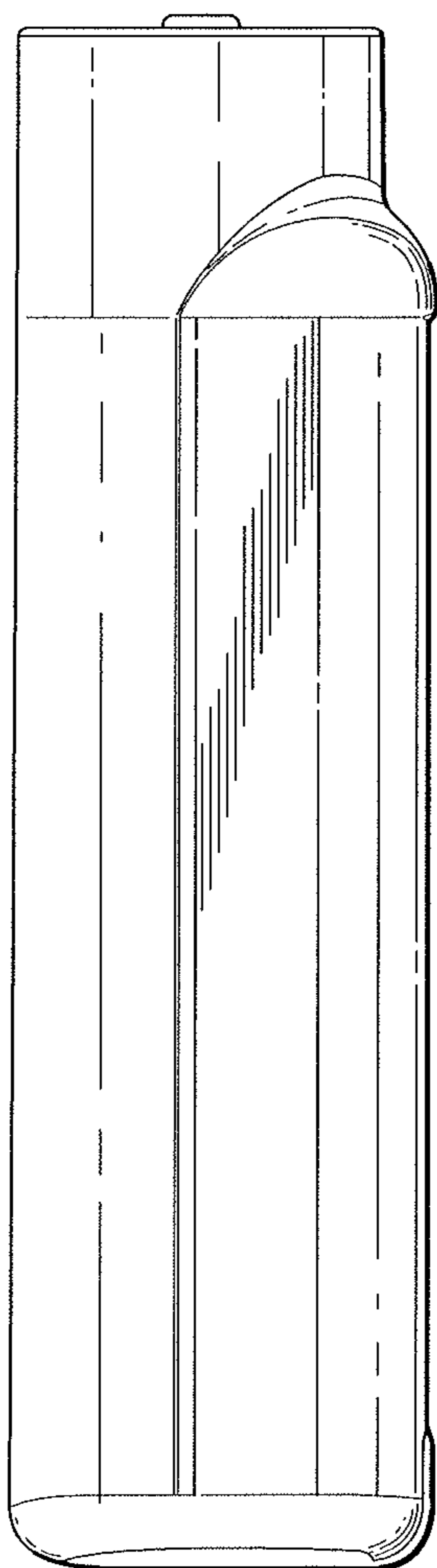


Fig. 5

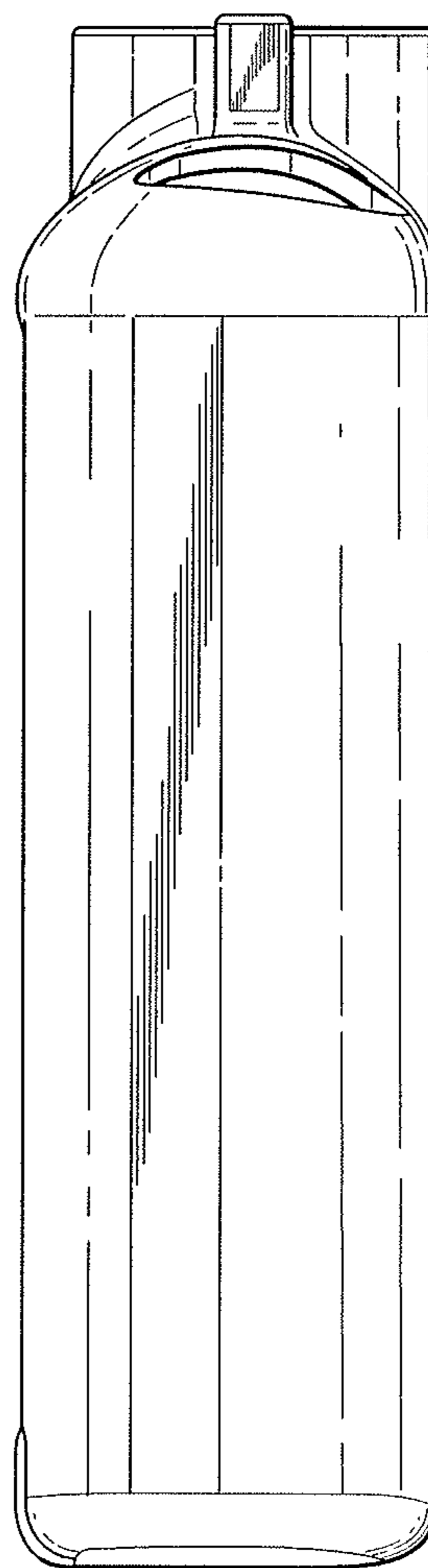


Fig. 6

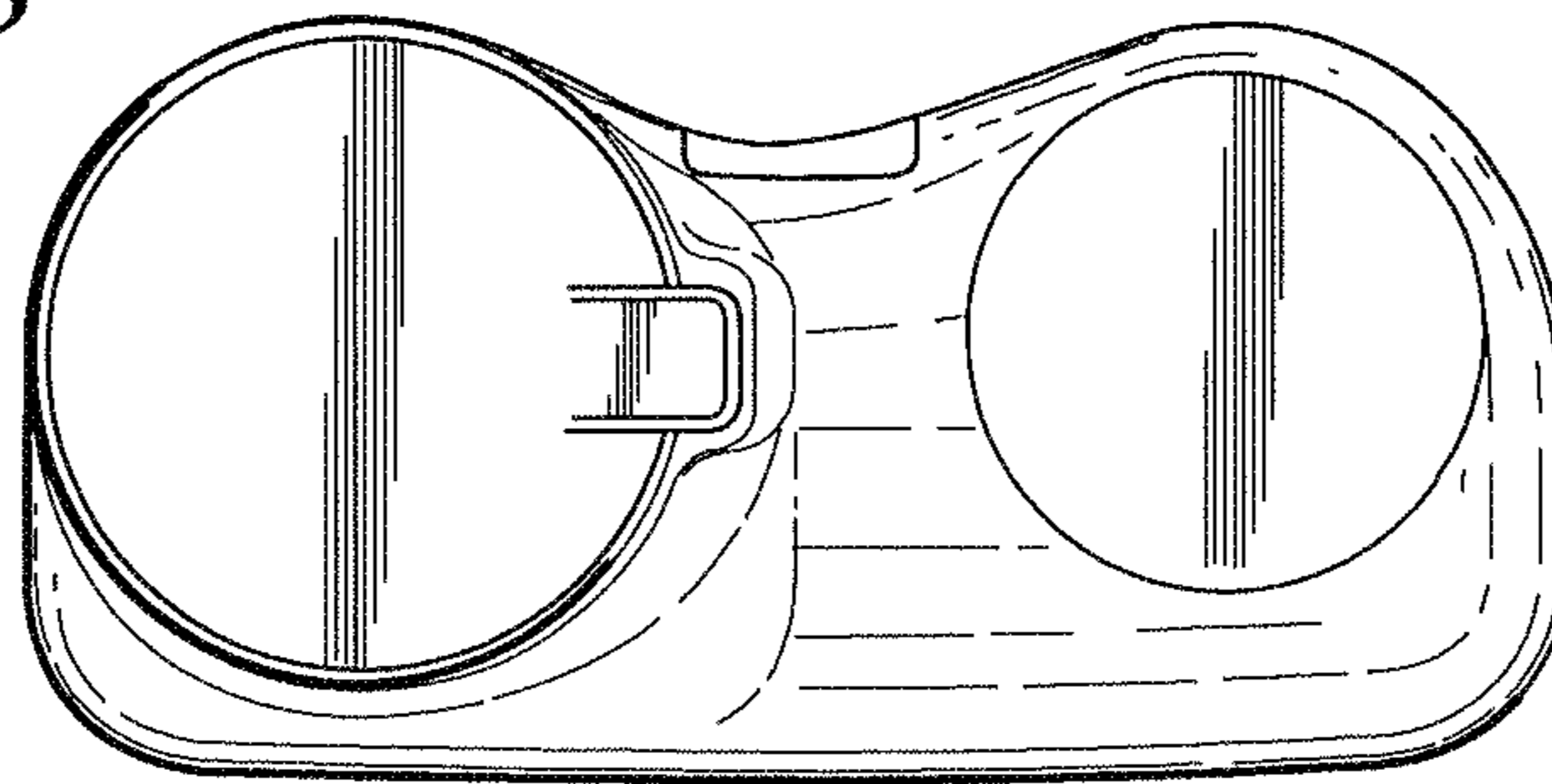


Fig. 7

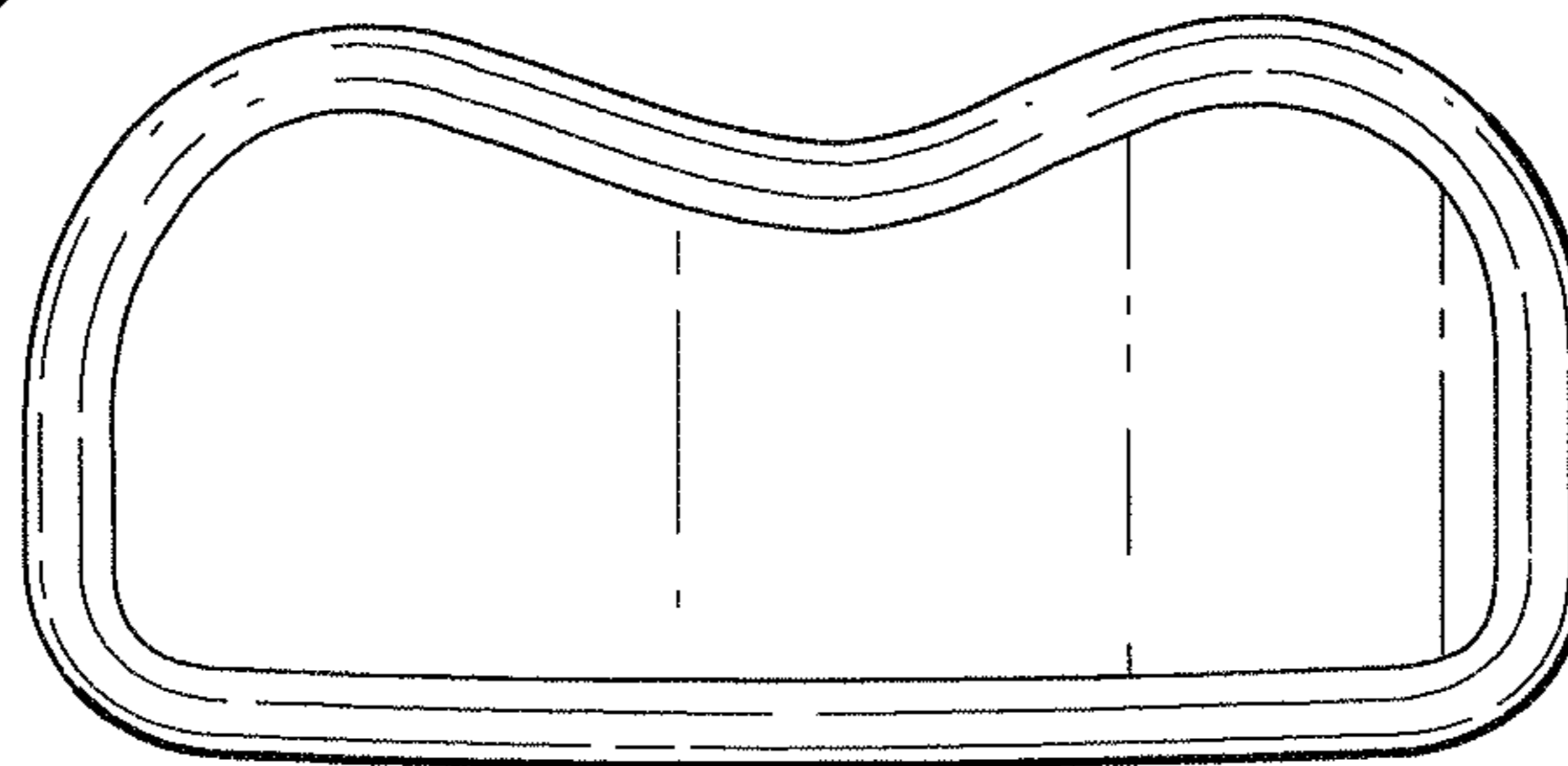


Fig. 8

