



US00D968593S

(12) **United States Design Patent** (10) **Patent No.:** **US D968,593 S**
Tamir et al. (45) **Date of Patent:** **** Nov. 1, 2022**

(54) **SAFETY TAB FOR MEDICAL DEVICE**

(56) **References Cited**

(71) Applicant: **Avoset Health Ltd.**, Netanya (IL)

U.S. PATENT DOCUMENTS

(72) Inventors: **Lilach Tamir**, Tel Aviv (IL); **Amir Rasowsky**, Yakir (IL); **Gustavo Turkieltaub**, Tel Aviv (IL); **Andres Wainstein**, Ramat Gan (IL)

D562,988 S *	2/2008	Pogorzelski	D24/224
D652,933 S *	1/2012	Boschetti Sacco	D24/164
D850,626 S *	6/2019	Gardner	D24/186
D857,911 S *	8/2019	Huang	D24/215
D863,574 S *	10/2019	Yan	D24/200
D865,997 S *	11/2019	Mellett	D24/234
D870,315 S *	12/2019	Wahlqvist	D24/224
D893,047 S *	8/2020	Wahlqvist	D24/224
D896,971 S *	9/2020	Held	D24/186
D904,204 S *	12/2020	Hampton	D9/732
D913,483 S *	3/2021	Boschetti Sacco	D24/110
11,096,708 B2 *	8/2021	Clark, III	A61B 17/3403
2019/0350466 A1 *	11/2019	Boschetti Sacco ..	A61B 5/7435

(73) Assignee: **EITAN MEDICAL LTD.**, Netanya (IL)

(**) Term: **15 Years**

(21) Appl. No.: **29/704,468**

* cited by examiner

(22) Filed: **Sep. 5, 2019**

Primary Examiner — Nathan M Johnston

(30) **Foreign Application Priority Data**

(74) *Attorney, Agent, or Firm* — Jose Cherson Weissbrot

Mar. 5, 2019 (IL) 63463

(51) **LOC (13) Cl.** **24-02**

(57) **CLAIM**

(52) **U.S. Cl.**

The ornamental design for a safety tab for medical device, as shown and described.

USPC **D24/127**

DESCRIPTION

(58) **Field of Classification Search**

USPC D24/108, 110–115, 117, 121, 127, 162,

D24/164, 185, 107, 169, 186, 177

CPC A61M 5/142; A61M 5/1413; A61M

5/14248; A61M 5/14244; A61M 5/172;

A61M 5/1723; A61M 5/1432; A61M

2205/18; A61M 2205/52; A61M 2205/50;

A61M 2205/3569; A61M 2205/3584;

A61M 2205/505; A61M 2205/502; A61M

2005/14208; A61M 2005/14268

See application file for complete search history.

FIG. 1 is a perspective view of the safety tab for medical device;

FIG. 2 is a front view thereof;

FIG. 3 is a rear view thereof;

FIG. 4 is a right-side view thereof;

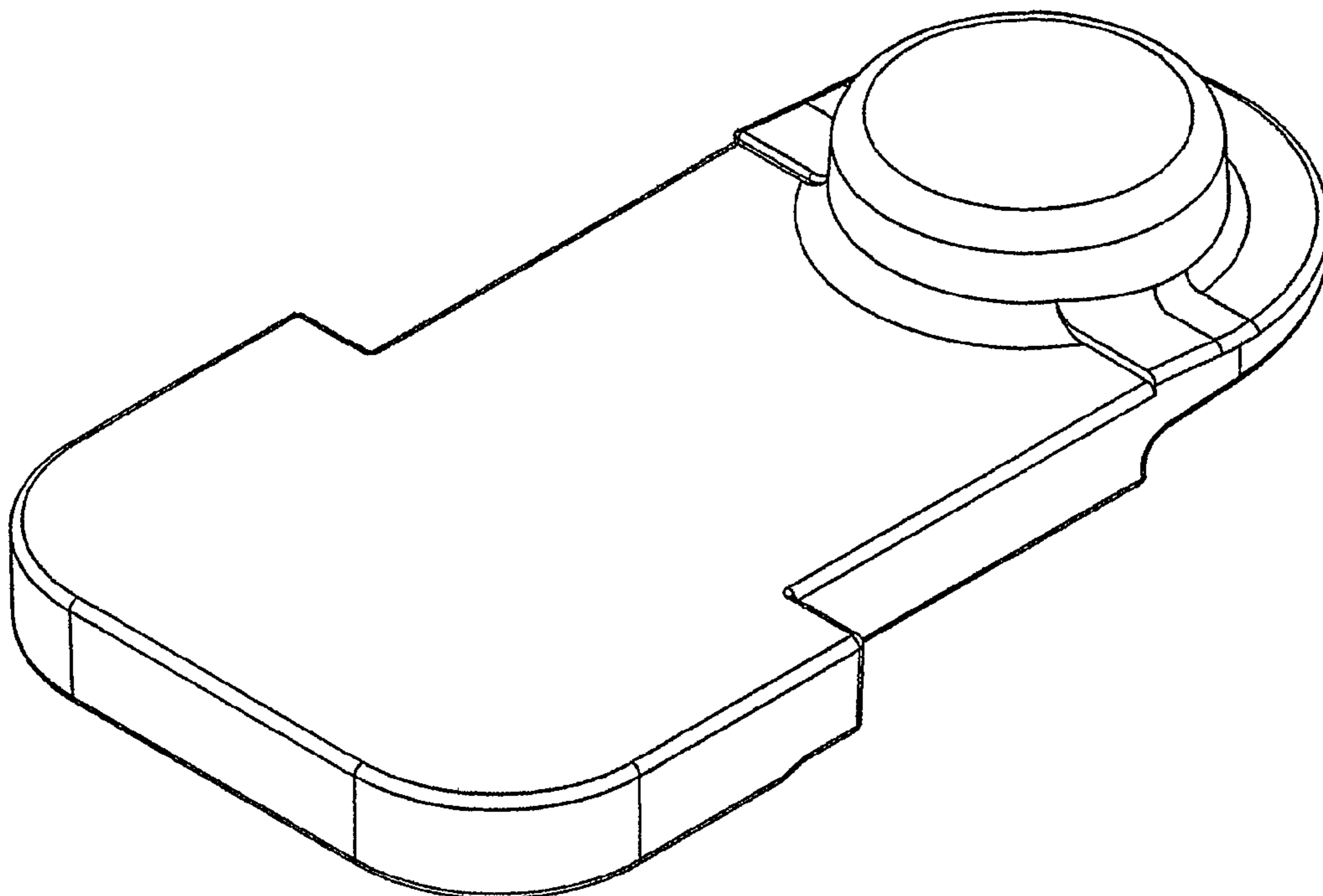
FIG. 5 is a left-side view thereof;

FIG. 6 is a top view thereof; and,

FIG. 7 is a bottom view thereof.

Portions of the article shown in broken lines form no part of the claimed design.

1 Claim, 7 Drawing Sheets



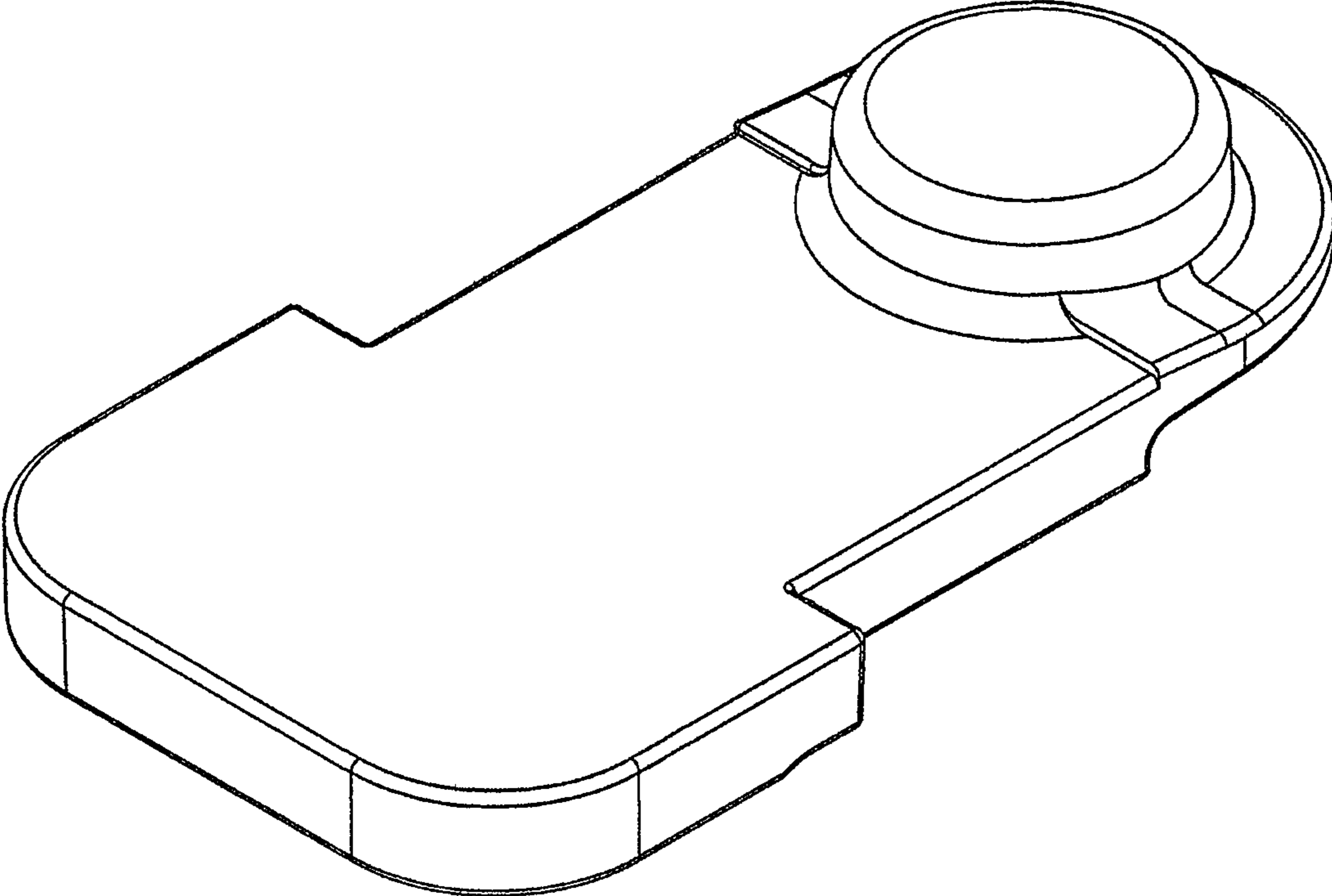


FIG.1

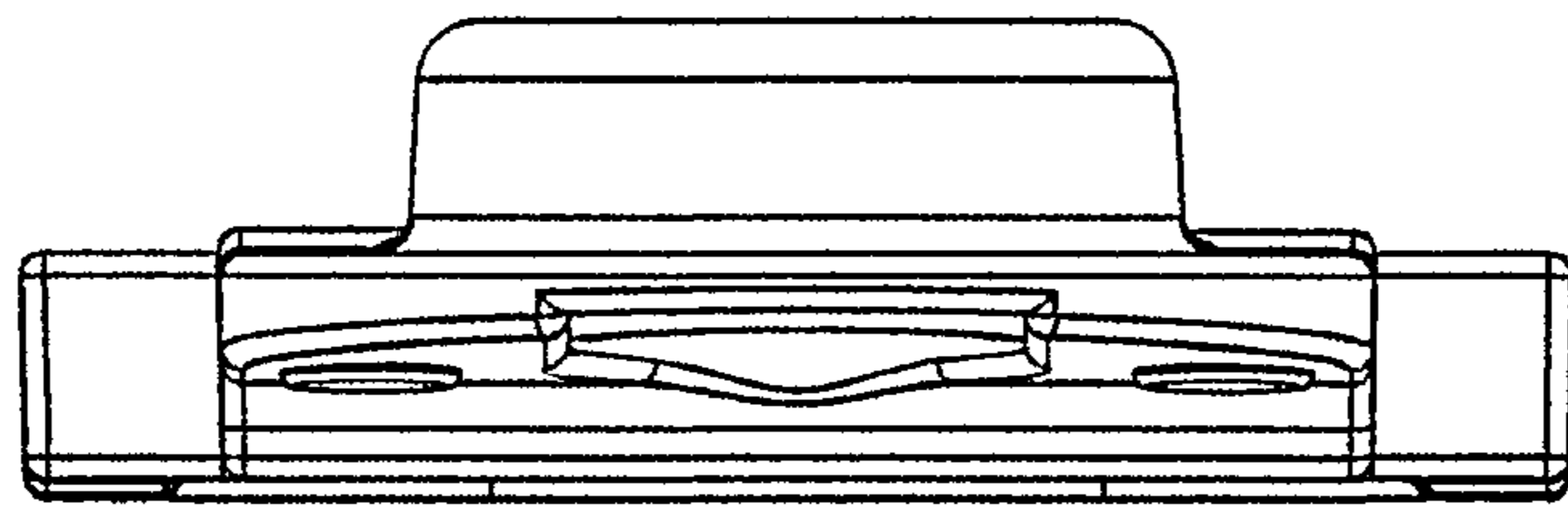


FIG.2

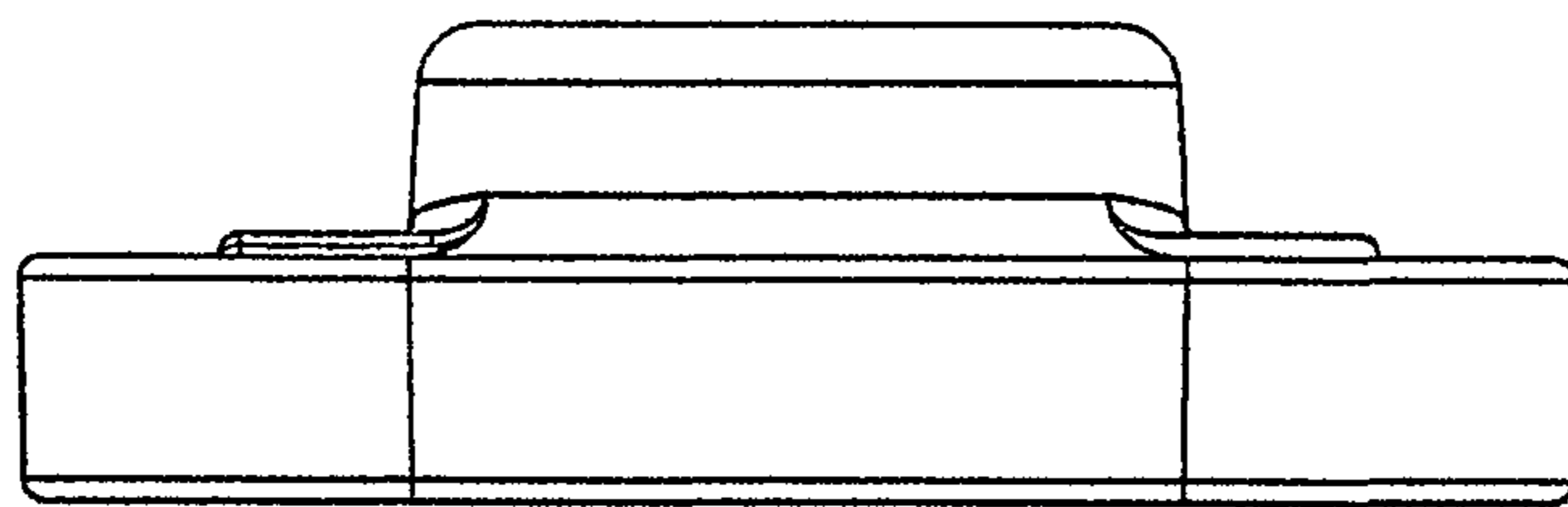


FIG.3

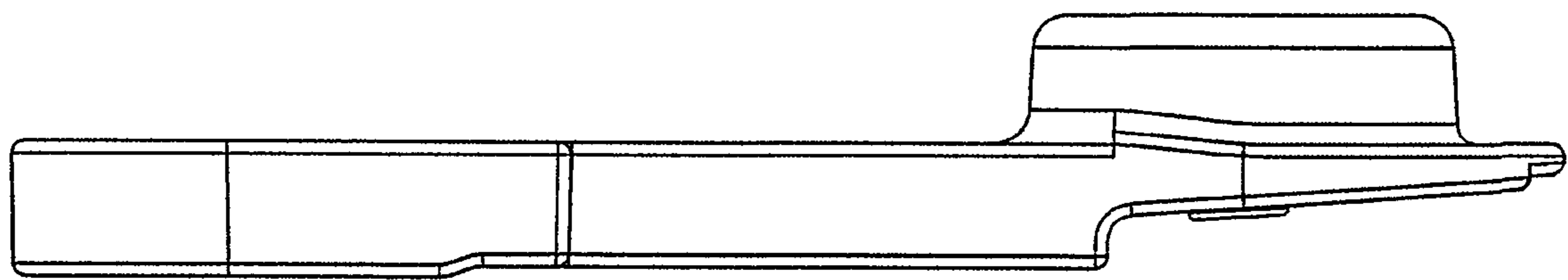


FIG.4

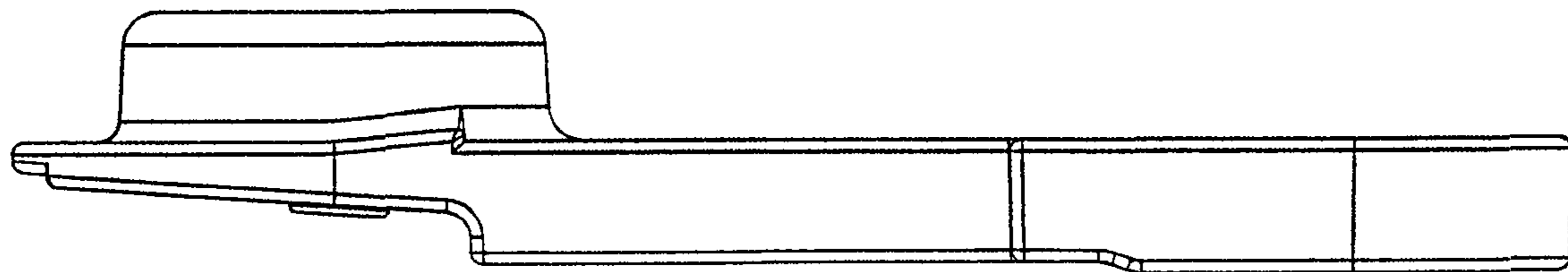


FIG. 5

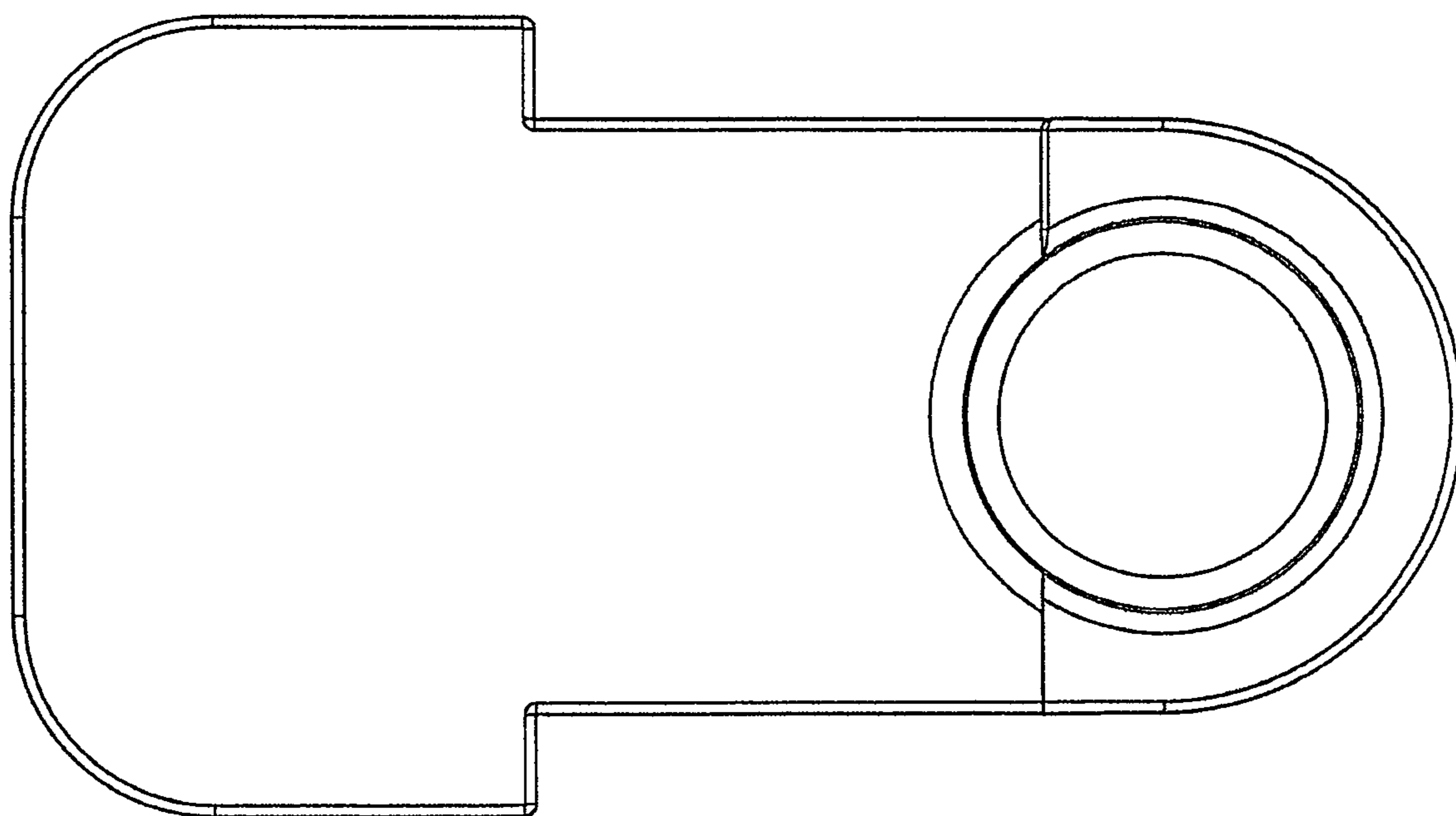


FIG. 6

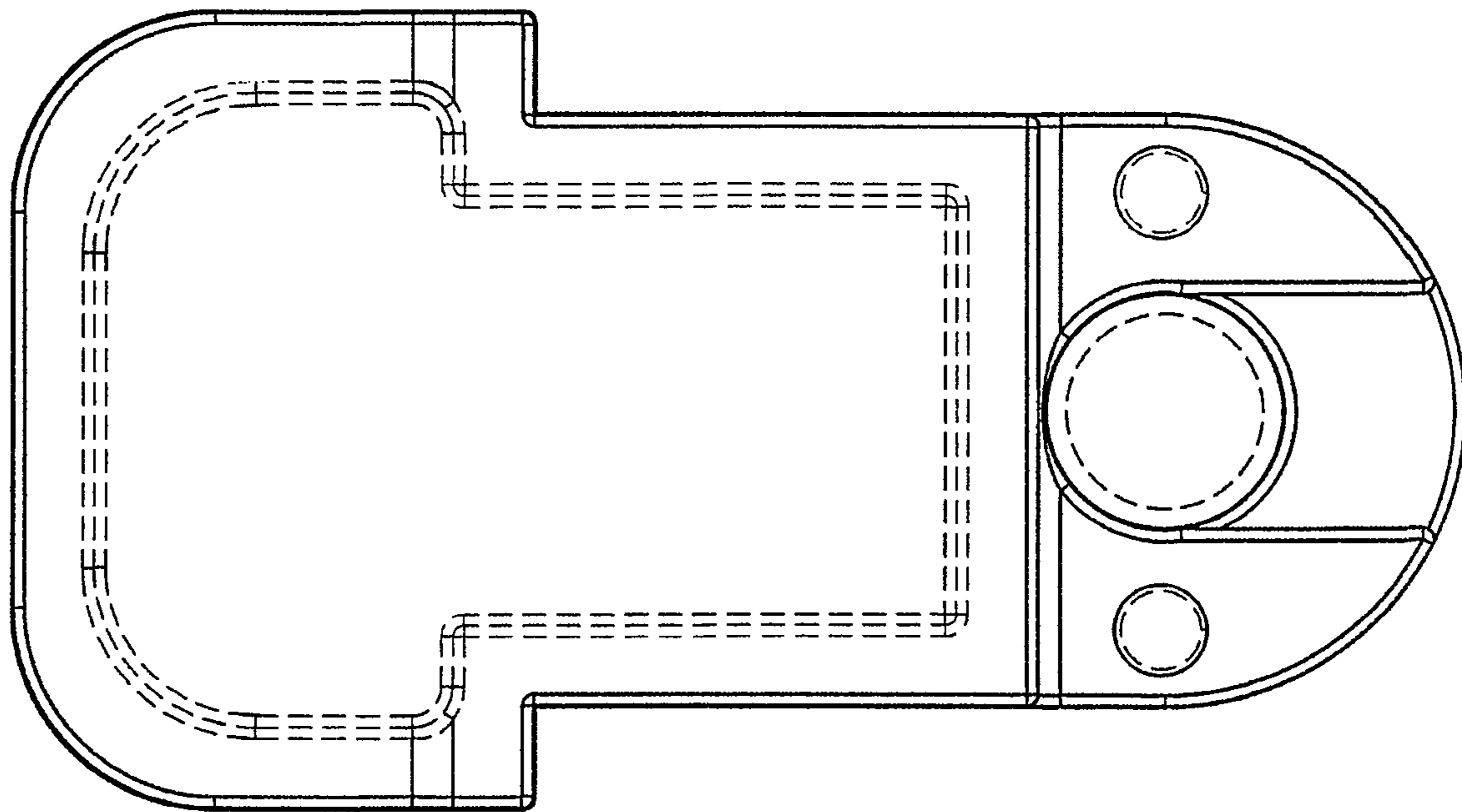


FIG. 7