

US00D968591S

(12) **United States Design Patent** (10) **Patent No.:** **US D968,591 S**
Caizza (45) **Date of Patent:** **** Nov. 1, 2022**

(54) **SAFETY NEEDLE**
(71) Applicant: **Expressions Design Studio, LLC**,
Union City, NJ (US)
(72) Inventor: **Richard Caizza**, Union City, NJ (US)
(73) Assignee: **Expressions Design Studio, LLC**,
Union City, NJ (US)
(**) Term: **15 Years**
(21) Appl. No.: **29/761,944**
(22) Filed: **Dec. 14, 2020**
(51) **LOC (13) Cl.** **24-02**
(52) **U.S. Cl.**
USPC **D24/112; D24/113; D24/130**
(58) **Field of Classification Search**
USPC D24/112-114, 133, 186, 129-130, 127,
D24/108
CPC A61M 5/3216; A61M 5/3129; A61M
5/3293; A61M 5/348; A61M 5/5066
See application file for complete search history.

7,648,480 B2 1/2010 Bosel et al.
D611,139 S * 3/2010 Crawford D24/113
D613,398 S * 4/2010 Crawford D24/130
7,722,572 B2 5/2010 Sprinkle et al.
D627,060 S * 11/2010 Crawford D24/113
7,854,723 B2 12/2010 Hwang et al.
7,967,794 B2 6/2011 Bosel et al.
(Continued)

FOREIGN PATENT DOCUMENTS

EM 008453807-0002 * 5/2021

OTHER PUBLICATIONS

Dynarex SecureSafe Safety Hypodermic Needles, Dynarex, The EMS store, [Post date unknown], [Site seen Jun. 22, 2022], Seen at URL: https://www.theemsstore.com/Dynarex-SecureSafe-Safety-Hypodermic-Needle_37?&utm_source=googlebase&utm_medium=cpc&utm_campaign=go%E2%80%A6 (Year: 2022).*

(Continued)

Primary Examiner — Natasha Vujcic
Assistant Examiner — Gilbert B Ford
(74) *Attorney, Agent, or Firm* — Budzyn IP Law, LLC

(56) **References Cited**

U.S. PATENT DOCUMENTS

4,982,842 A 1/1991 Hollister
5,232,455 A 8/1993 Hollister
5,599,313 A 2/1997 Gyure et al.
5,669,889 A 9/1997 Gyure et al.
5,807,351 A 9/1998 Kashmer
6,582,397 B2 6/2003 Alesi et al.
D476,733 S * 7/2003 Swenson D24/112
6,719,737 B2 4/2004 Kobayashi
D496,457 S * 9/2004 Prais D24/114
7,220,249 B2 5/2007 Hwang et al.
7,250,038 B2 7/2007 Simpson et al.
D561,898 S * 2/2008 Goto A61B 17/3211
D24/146
7,537,581 B2 5/2009 Hwang
D601,695 S * 10/2009 Crawford D24/113
D604,840 S * 11/2009 Crawford D24/130

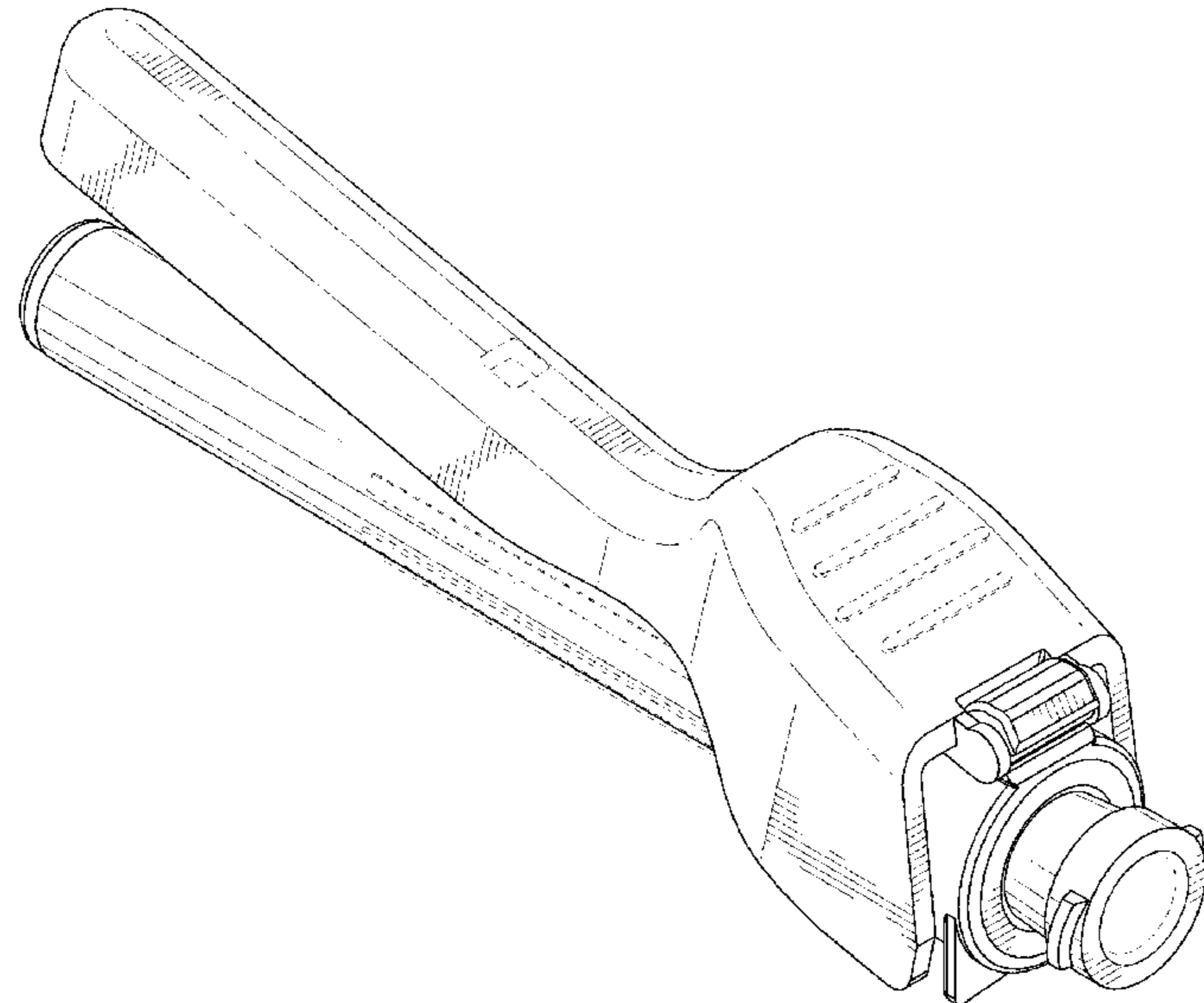
(57) **CLAIM**

The ornamental design for a safety needle, as shown and described.

DESCRIPTION

FIG. 1 is a perspective view of a safety needle;
FIG. 2 is a front elevation view thereof;
FIG. 3 is a rear elevation view thereof;
FIG. 4 is a right side elevation view thereof;
FIG. 5 is a left side elevational view thereof;
FIG. 6 is a top plan view thereof; and,
FIG. 7 is a bottom plan view thereof.
The broken lines in the figures illustrate portions of the safety needle which form no part of the claimed design.

1 Claim, 4 Drawing Sheets



(56)

References Cited

U.S. PATENT DOCUMENTS

8,226,604 B2 7/2012 Madin et al.
 8,414,560 B2 4/2013 Bush et al.
 8,622,960 B2 1/2014 Madin et al.
 D736,923 S * 8/2015 Snow D24/146
 D844,774 S * 4/2019 Akcay A61M 5/422
 D928,319 S * 8/2021 Deck D24/112
 11,123,492 B2 * 9/2021 Jennings A61M 5/2033
 D933,820 S * 10/2021 Ota D24/133
 11,207,469 B1 * 12/2021 Caizza A61M 5/348
 D940,319 S * 1/2022 Deck D24/145
 2002/0072715 A1 6/2002 Newby et al.
 2002/0151852 A1 * 10/2002 Crawford A61B 5/15003
 128/919
 2005/0124944 A1 6/2005 Hwang
 2013/0331793 A1 * 12/2013 Gonzales A61M 5/3219
 604/192

OTHER PUBLICATIONS

Cardinal Health Monoject™ Hypodermic Safety Syringes, Cardinal Health, Youtube, [Post date Jan. 18, 2022], [Site seen Jun. 22, 2022], Seen at URL: <https://www.youtube.com/watch?v=hUIIVXChGXM> (Year: 2022).*

BD Safety Blood Collection Needle Needle Without Tubing, BD, Medical Total Solutions, [Post date unknown], [Site seen Jun. 22, 2022], Seen at URL: <https://www.mtshs.com/bd-safety-blood-collection-needle-needle-without-tubing.html> (Year: 2022).*

Hypodermic Needle-Pro® EDGE™ Safety Device, ICU Medical. [Post date unknown]. [Site seen Jun. 22, 2022], Seen at URL:

<https://www.smiths-medical.com/products/sharps-safety/hypodermic-injections/hypodermic-needlepro-edge-safety-device> (Year: 2022).*

B. Braun Sterican Safety Needle, single-use safety needle with safety protection, B. Braun, Mar. 2018.

BD Eclipse Needle, How to Use the BD Eclipse Needle for Luer Lock Syringes, BD Medical, 2013.

Easy Touch, Safety Syringe Product Catalog, MHC Medical Products LLC, (undated).

Hypodermic Needle-Pro, Needle Protection Device for Injection 18-25G, B. Braun Medical LLC, (undated).

KSC Needlestick Injury Prevention, Instructions For Use, Star Syringe Ltd., (undated).

Medline; Fliplock Safety Needles by MHC Medical; Needle, Safety, 19GX1, Fliplock; Aug. 7, 2017.

Medline, How to Use the Safety Syringe with Flip Technology, Medline Industries Inc., 2017.

Needle-Pro Edge, Manual Safety Needle and Syringe Devices, Cardinal Health Safety Needle and Syringe Devices, Cardinal Health, 2014.

Prevent HT, Safety Needles, McKesson medical-Surgical Inc., 2016.

Sol-Care Safety Needles and Safety Needle Combinations, Sol-Millennium, Jul. 21, 2016.

Sol-Millennium, Building a Healthier Tomorrow Product Catalog, Sol-Millennium Medical Ltd., (undated).

Surguard3 Safety Hypodermic Needle: Instructions for Use, Terumo Corporation, 2015.

Surguard3 Safety Hypodermic Needle, We make Some Great Points, Terumo Corporation, 2016.

Terumo Product Catalog, Terumo Corporation, (undated).

* cited by examiner

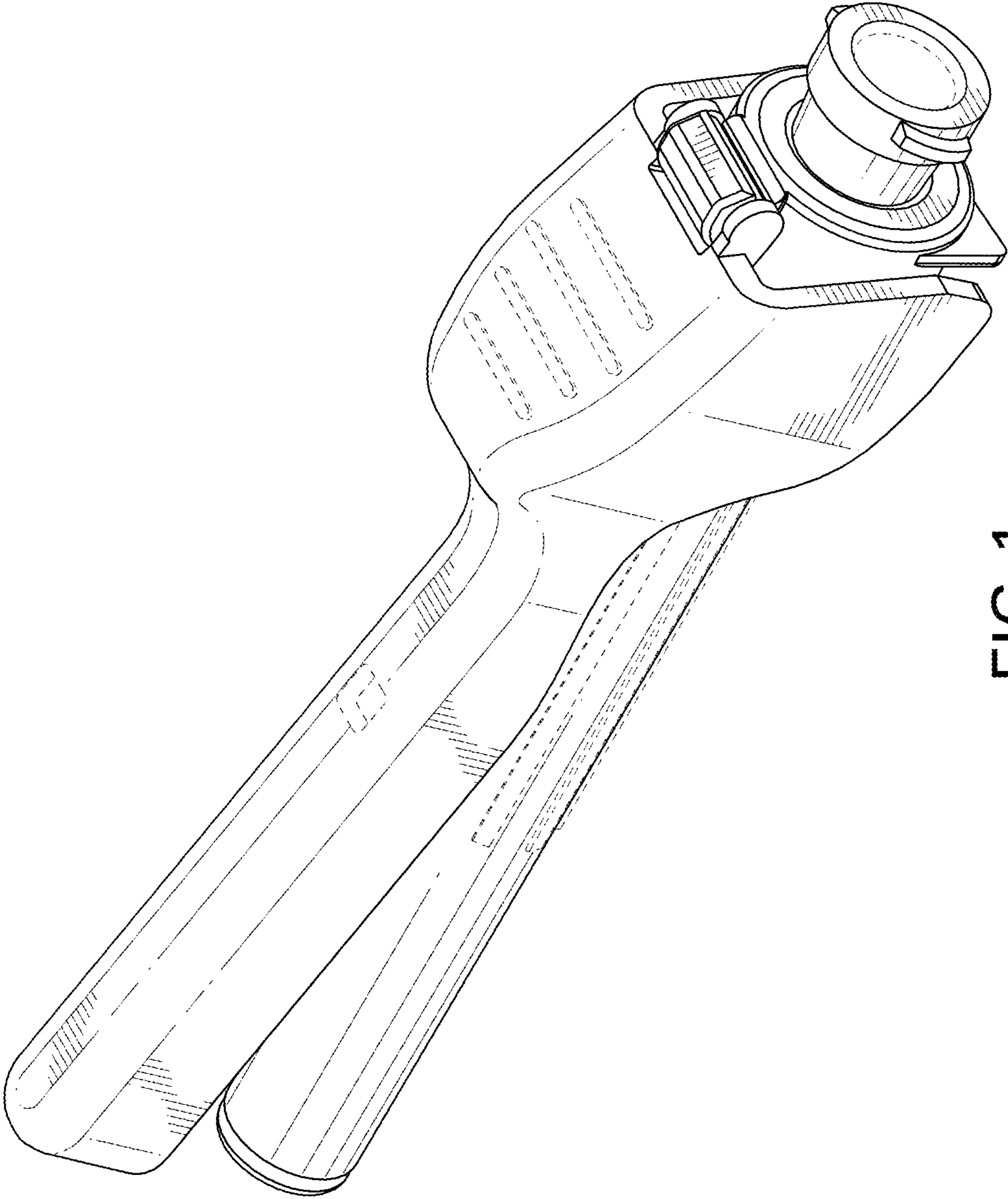


FIG.1

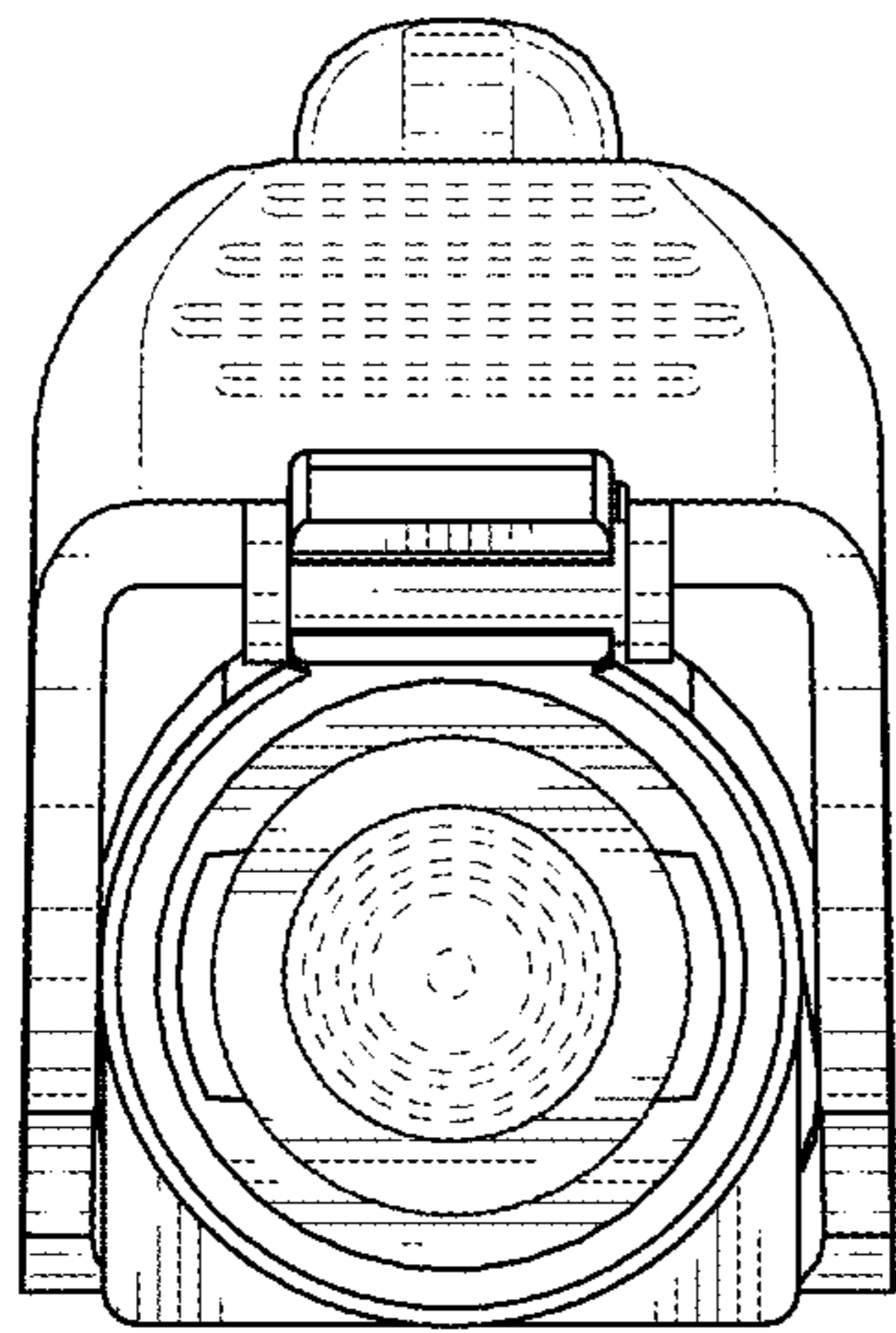


FIG. 2

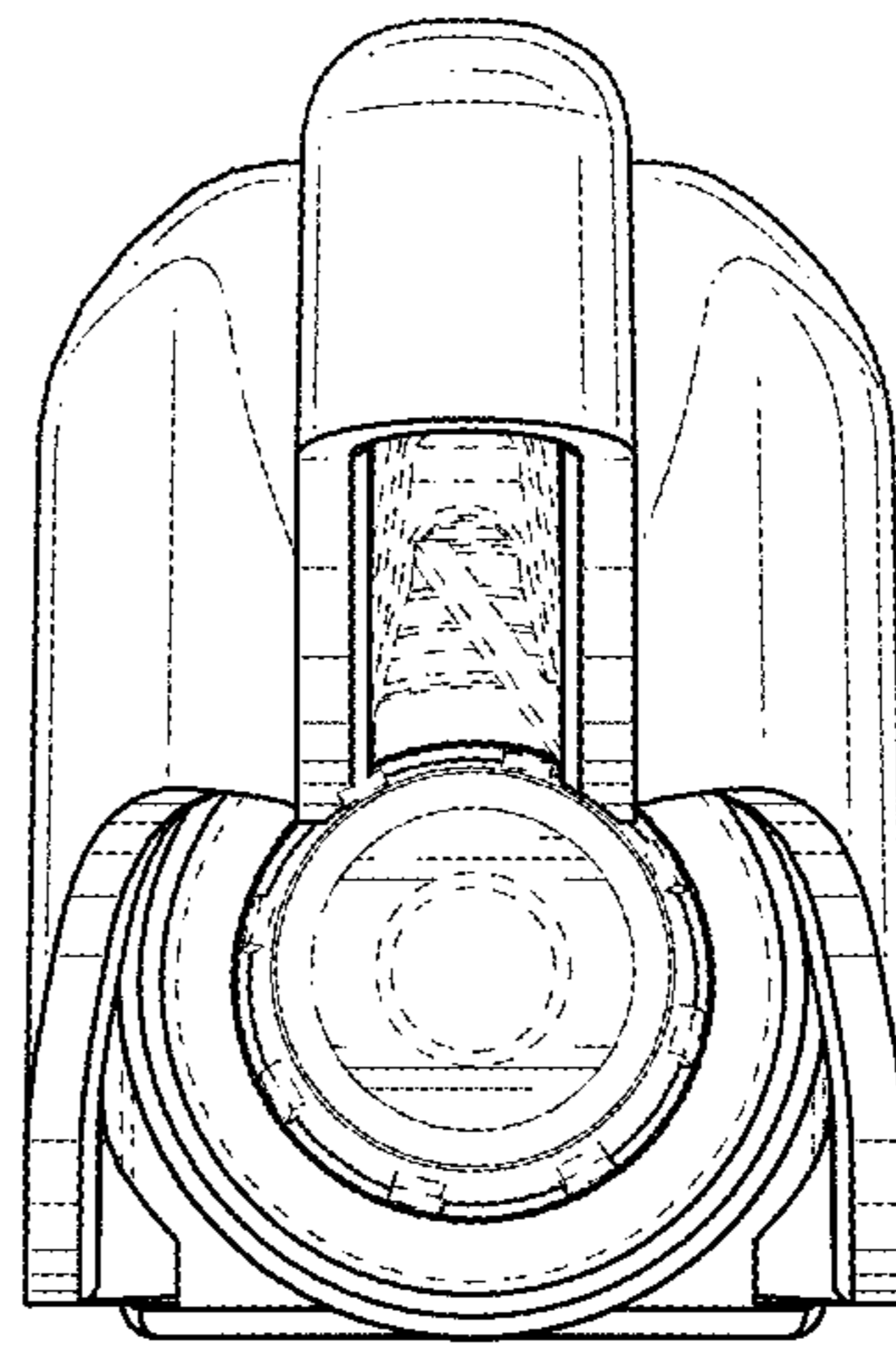


FIG. 3

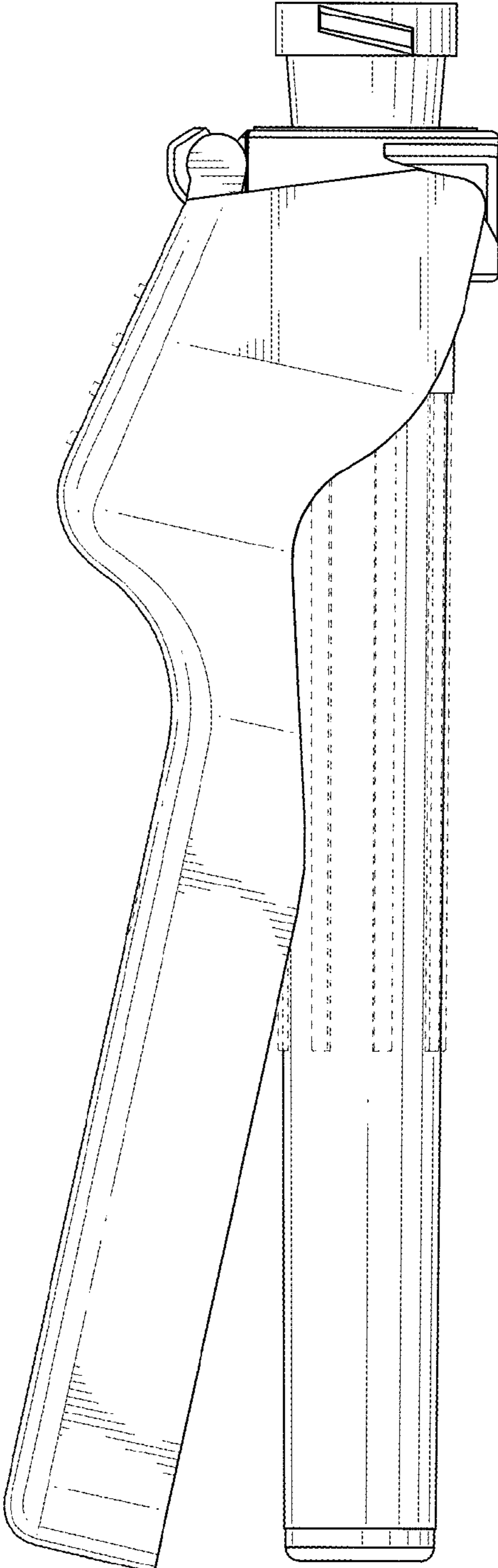


FIG. 4

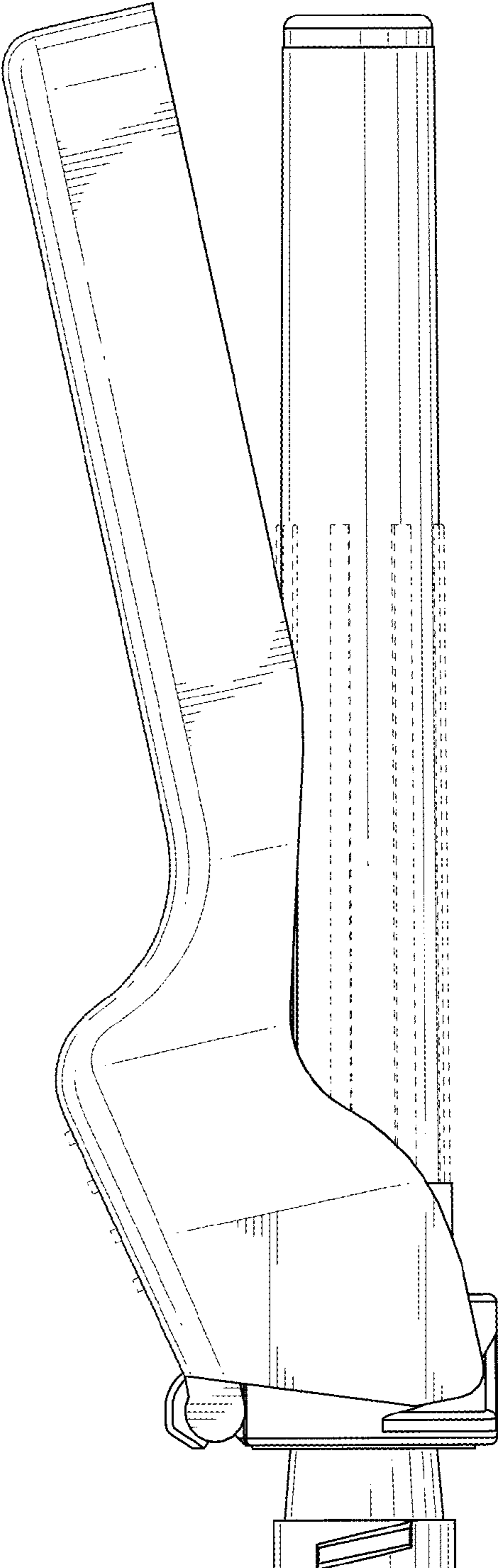


FIG. 5

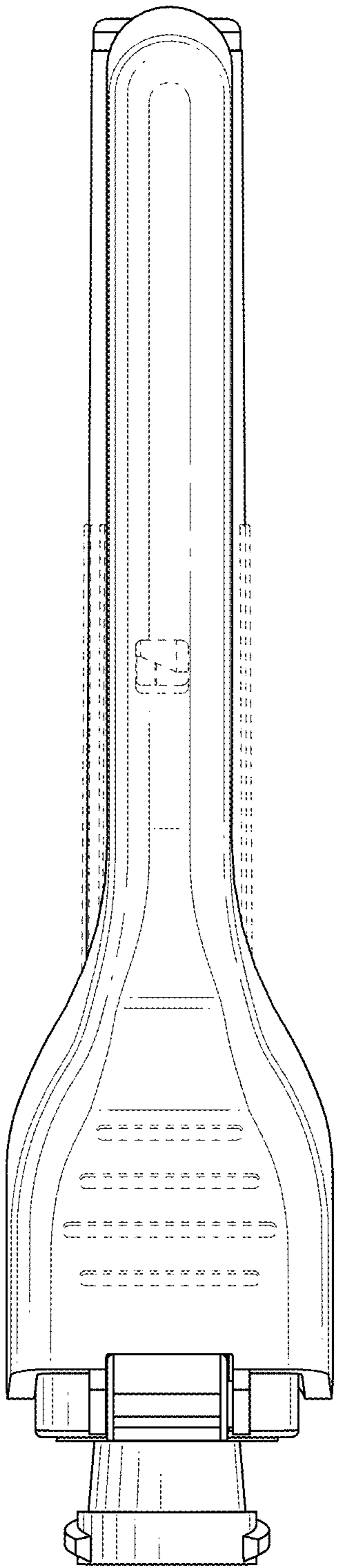


FIG. 6

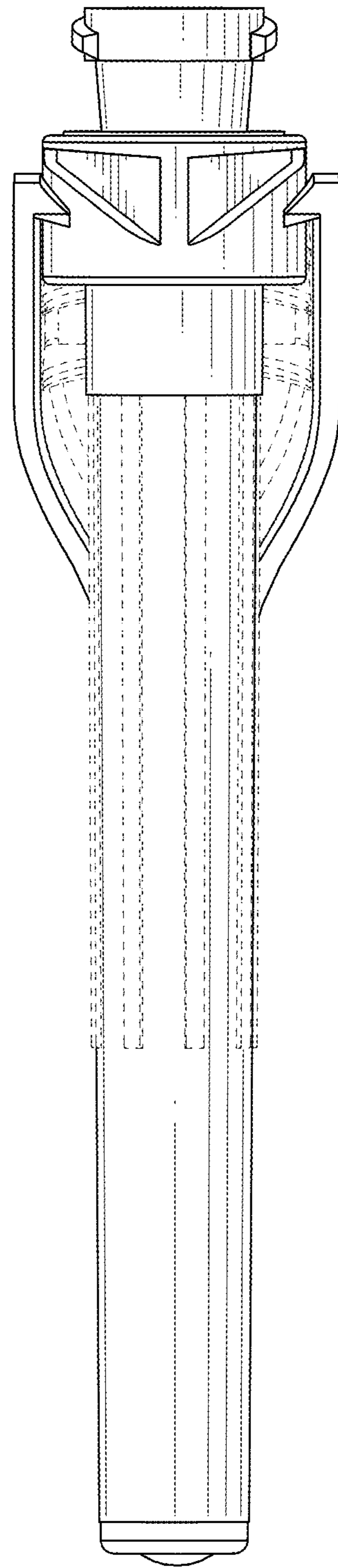


FIG. 7