



US00D968587S

(12) **United States Design Patent** (10) **Patent No.:** **US D968,587 S**
Holyoake et al. (45) **Date of Patent:** **** Nov. 1, 2022**

(54) **BREATHING TUBE**
(71) Applicant: **Fisher & Paykel Healthcare Limited**,
Auckland (NZ)
(72) Inventors: **Bruce Gordon Holyoake**, Auckland
(NZ); **Eric Deverick**, Auckland (NZ);
Ieuan Gregory Nicholas Edmonds,
Auckland (NZ); **Michael John**
Andresen, Auckland (NZ); **Rachel**
Nicole Mosen, Auckland (NZ); **Sanket**
Raghunath Bhongale, Auckland (NZ);
Matthew Michael Marinovich,
Auckland (NZ)

(73) Assignee: **Fisher & Paykel Healthcare Limited**,
Auckland (NZ)

(**) Term: **15 Years**

(21) Appl. No.: **29/697,390**

(22) Filed: **Jul. 8, 2019**

(51) **LOC (13) Cl.** **29-02**

(52) **U.S. Cl.**
USPC **D24/110**

(58) **Field of Classification Search**
USPC D24/110, 110.1, 110.4–110.6, 127, 164;
D29/108
CPC A61M 16/06; A61M 16/0616; A61M
16/0622; A61M 16/0666; A61M 16/0683
See application file for complete search history.

(56) **References Cited**

U.S. PATENT DOCUMENTS

2,073,335 A * 3/1937 Connell A62B 9/04
156/143
D302,040 S * 7/1989 Lambert D23/314
D439,326 S * 3/2001 Hecker D24/110.5
D656,231 S * 3/2012 Henry D24/110.4
D691,712 S * 10/2013 Judson D24/110.1
D787,661 S * 5/2017 Edwards D24/110.4

D807,995 S * 1/2018 Maeckelberghe D24/164
D841,147 S * 2/2019 McCool D24/110
D841,148 S * 2/2019 Stoks et al.
D878,546 S * 3/2020 Formica D24/110
D880,686 S * 4/2020 Stoks D24/110

(Continued)

FOREIGN PATENT DOCUMENTS

EP 006530242-0001 7/2019
WO WO 2012/164407 12/2012

(Continued)

OTHER PUBLICATIONS

Fisher & Paykel Healthcare Limited, User Instructions 900HC506/
505, 2004, in 3 pages.

Primary Examiner — Richard Kearney

Assistant Examiner — Michael Hoffman

(74) *Attorney, Agent, or Firm* — Knobbe Martens Olson
& Bear LLP

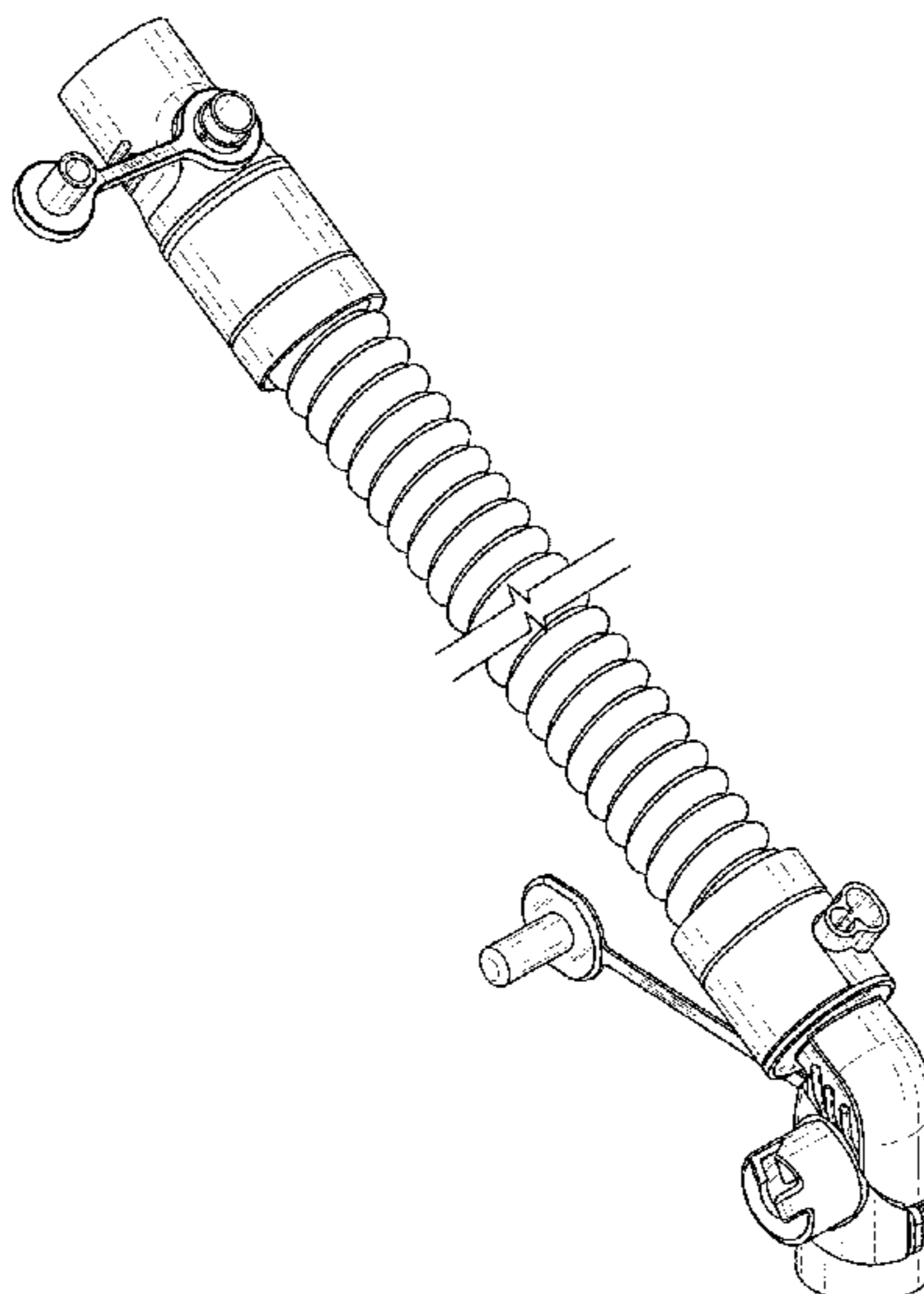
(57) **CLAIM**

The ornamental design for a breathing tube, as shown and
described.

DESCRIPTION

FIG. 1 is a top, front and left side perspective view of a
breathing tube.
FIG. 2 is a left side view thereof.
FIG. 3 is a right side view thereof.
FIG. 4 is a rear view thereof.
FIG. 5 is a front view thereof.
FIG. 6 is a top view thereof; and,
FIG. 7 is a bottom view thereof.
The references to “left,” “right,” “front,” “rear,” “top,” and
“bottom” in the figure descriptions are not meant to require
certain in-use orientation; the breathing tube according to
the claimed design may be used in any orientation.

1 Claim, 6 Drawing Sheets



(56)

References Cited

U.S. PATENT DOCUMENTS

D923,169 S * 6/2021 McCool D24/110
D923,768 S * 6/2021 Maeckelberghe D23/358
D933,815 S * 10/2021 Eves D24/110.4
D938,016 S * 12/2021 Eves D24/110.4
11,324,975 B2 * 5/2022 Döpjan G01B 5/20
2002/0100320 A1 8/2002 Smith et al.
2014/0053939 A1 * 2/2014 Kaye F16L 33/34
138/109

FOREIGN PATENT DOCUMENTS

WO WO 2013/137753 9/2013
WO WO 2014/025266 2/2014
WO WO 2014/077706 5/2014
WO WO 2014/088430 6/2014
WO WO 2015/142192 9/2015
WO WO 2016/007019 1/2016
WO WO 2017/077485 5/2017
WO WO 2018/016975 1/2018
WO WO 2018/217105 11/2018

* cited by examiner

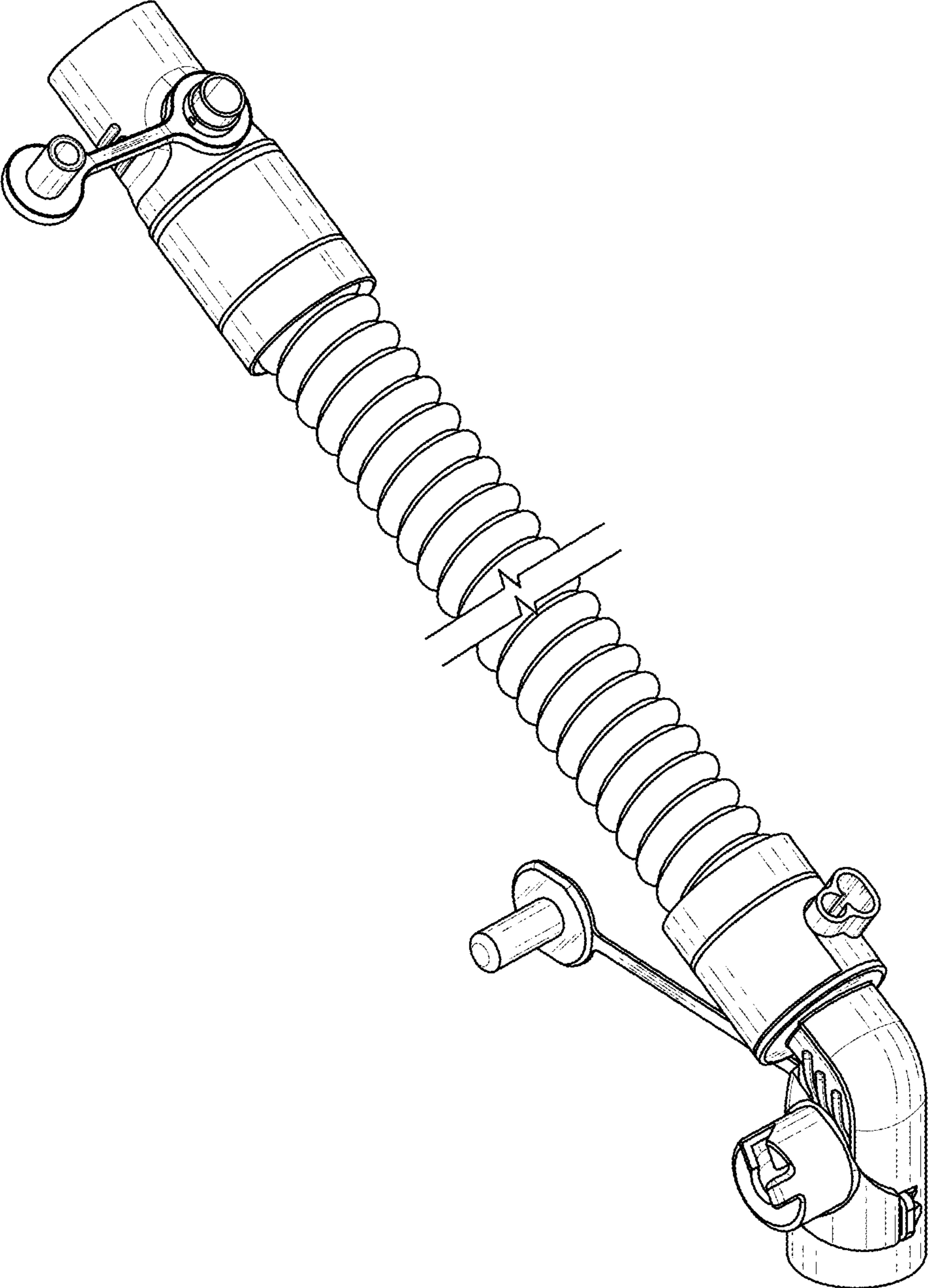


FIG. 1

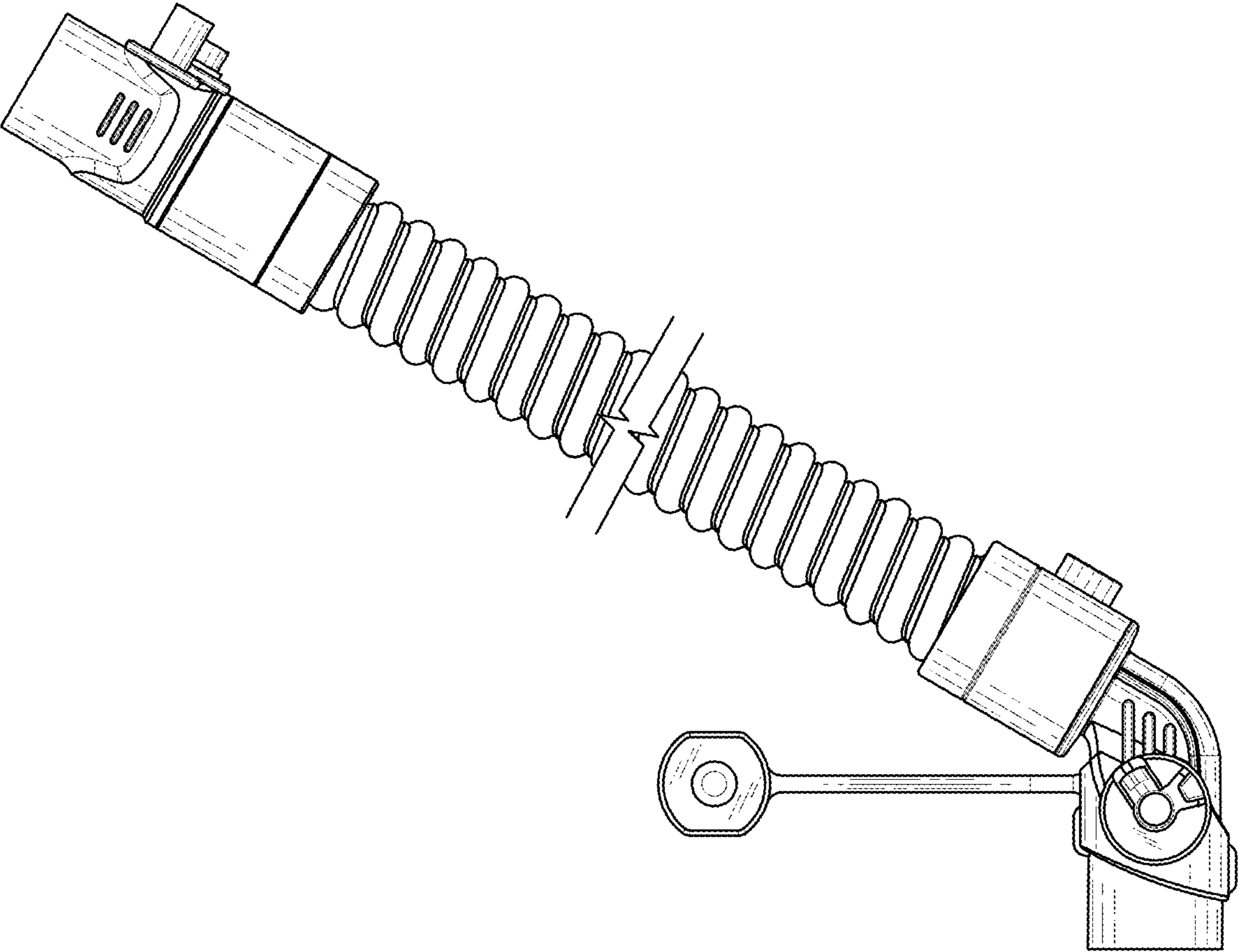


FIG. 2

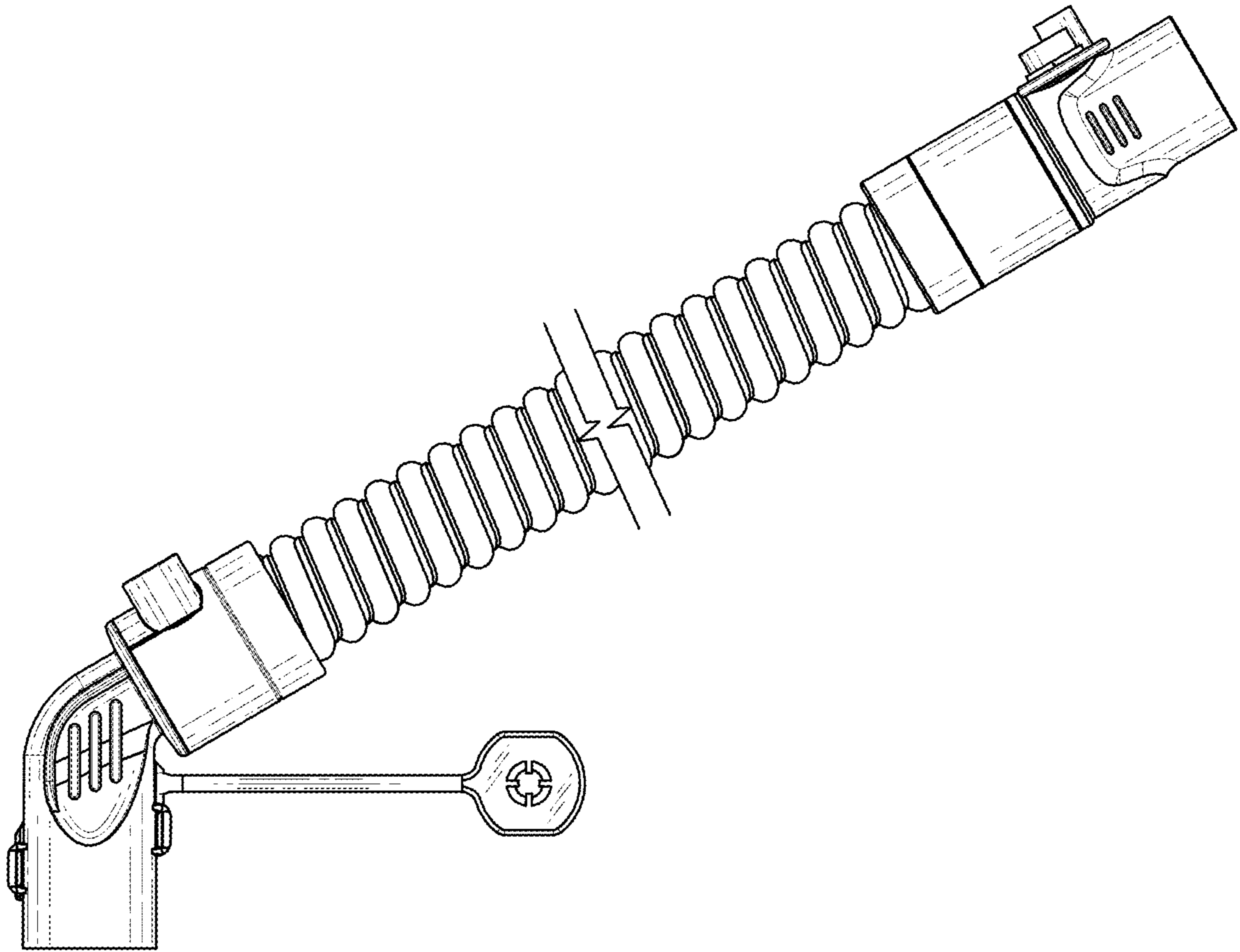


FIG. 3

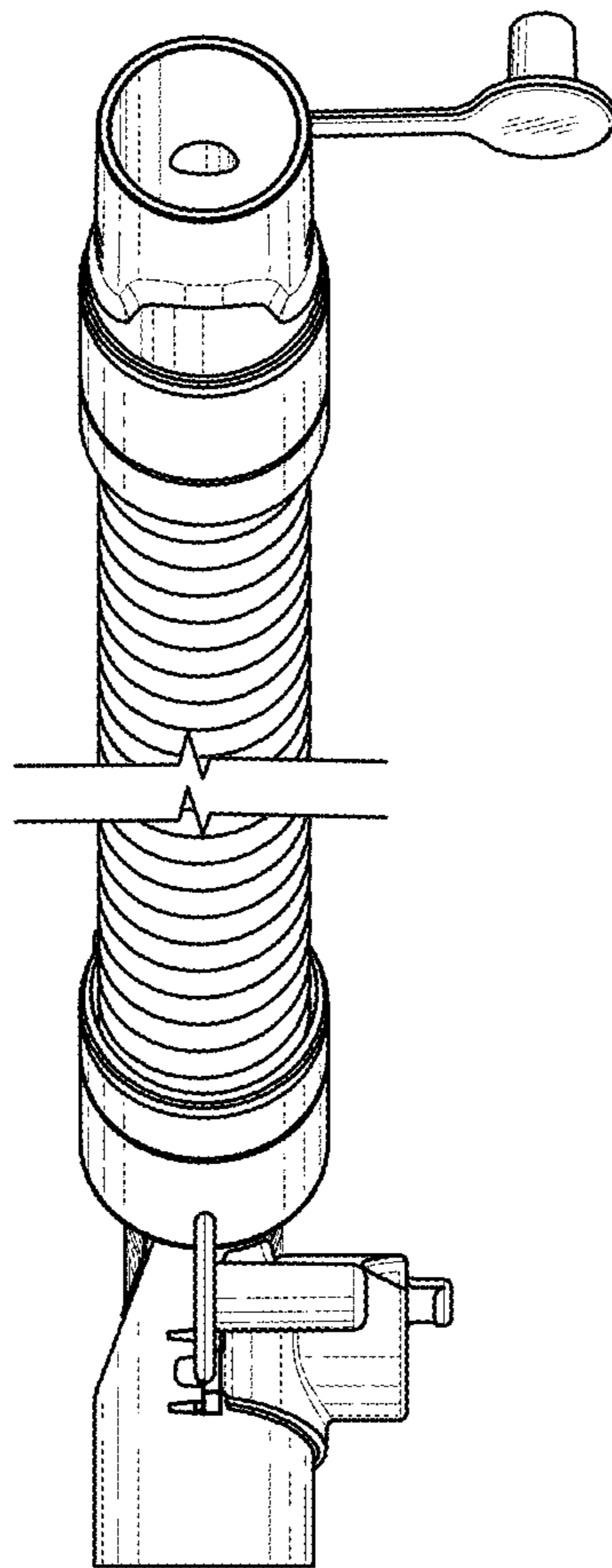


FIG. 4

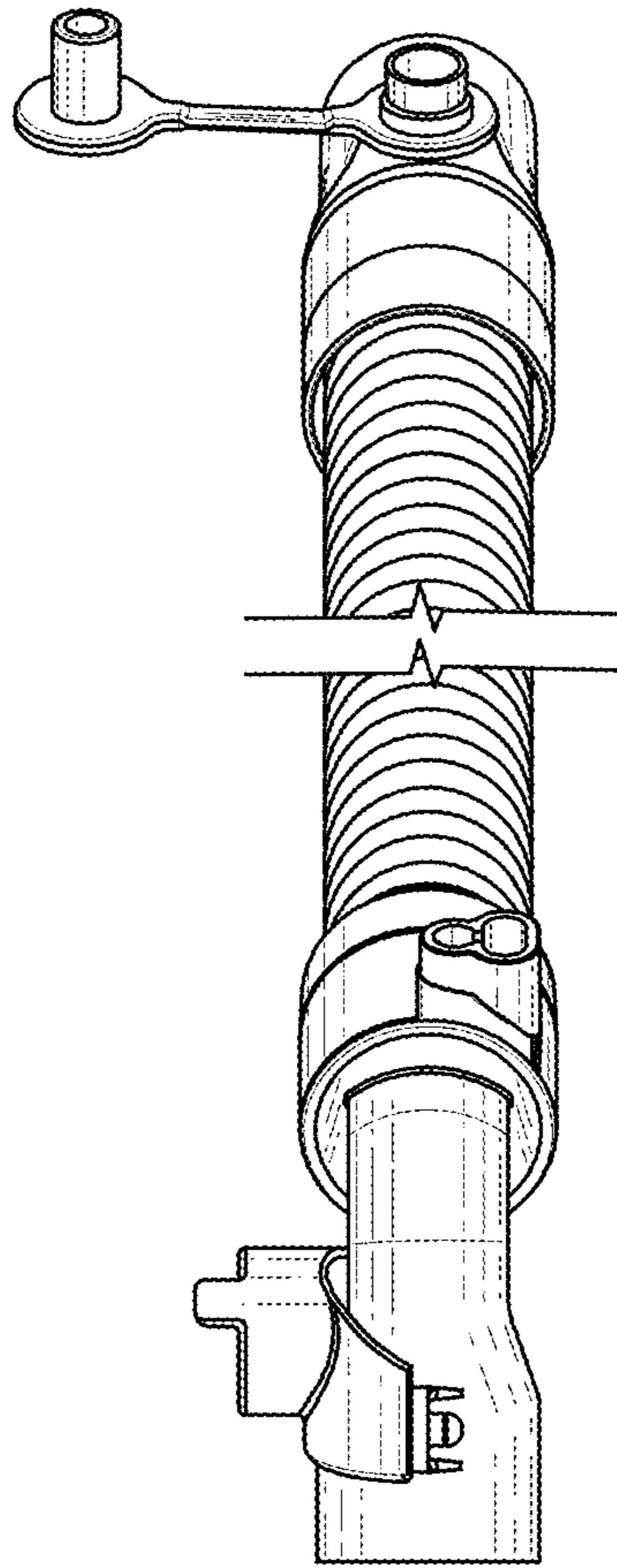


FIG. 5

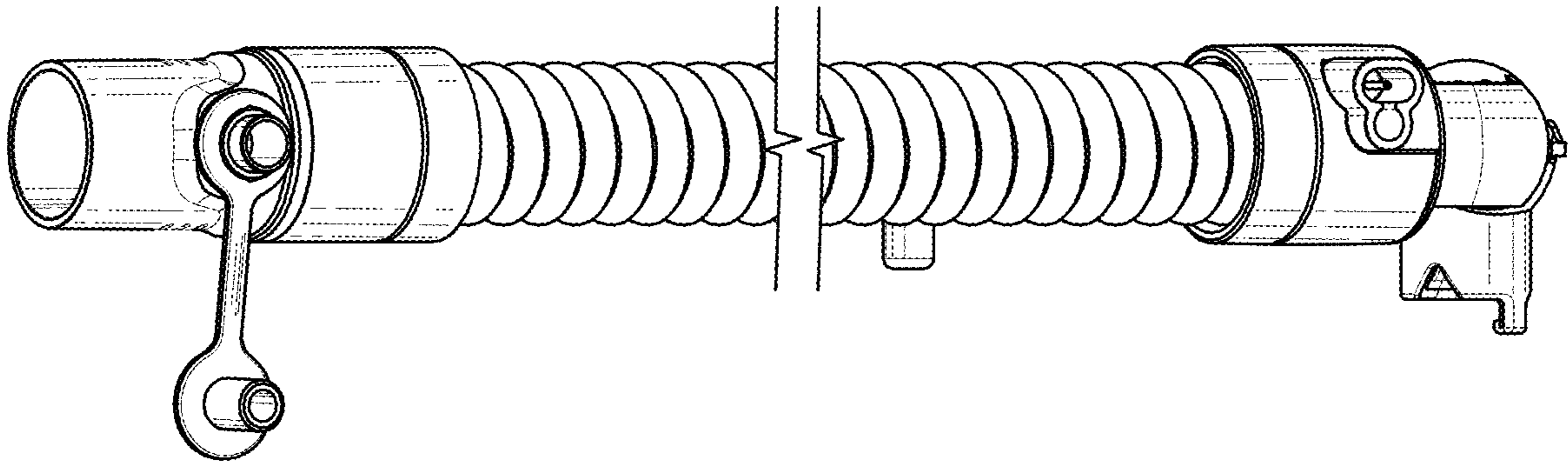


FIG. 6

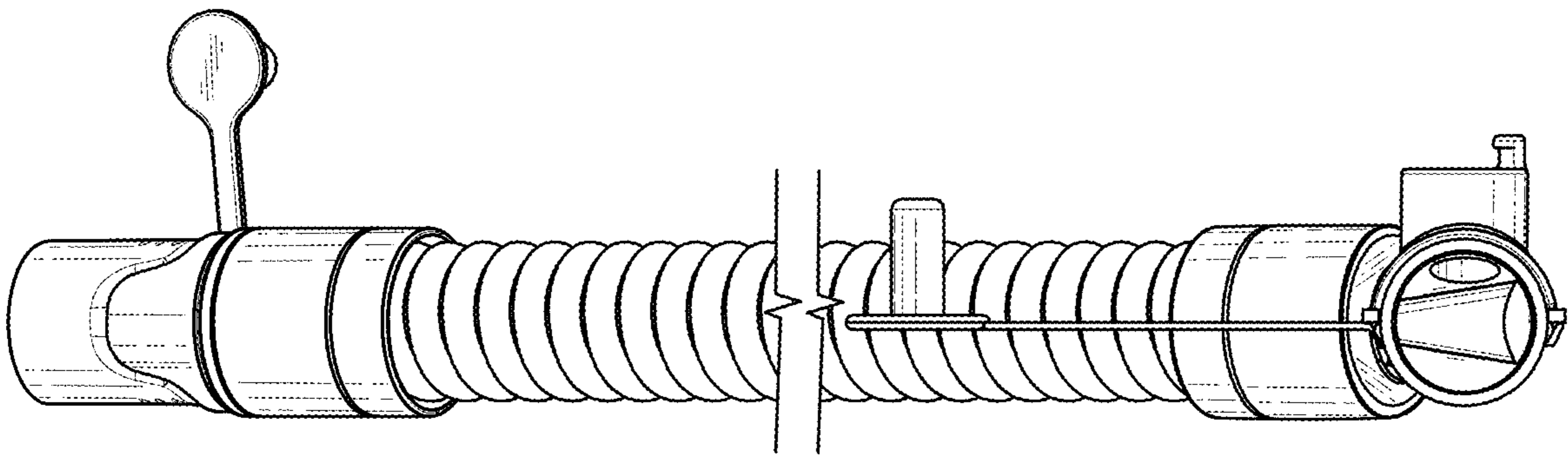


FIG. 7