



US00D968586S

(12) **United States Design Patent**  
**Sandberg**

(10) **Patent No.:** **US D968,586 S**

(45) **Date of Patent:** **\*\* Nov. 1, 2022**

(54) **BREAST PUMP FUNNEL**  
(71) Applicant: **KONINKLIJKE PHILIPS N.V.**,  
Eindhoven (NL)  
(72) Inventor: **Emma Stina Katarina Sandberg**,  
Amsterdam (NL)

6,579,258 B1 \* 6/2003 Atkin ..... A61M 1/066  
604/74  
6,673,036 B1 \* 1/2004 Britto ..... A61M 1/066  
604/74  
6,673,037 B1 \* 1/2004 Silver ..... A61M 1/066  
604/74

(Continued)

(73) Assignee: **KONINKLIJKE PHILIPS N.V.**,  
Eindhoven (NL)

**OTHER PUBLICATIONS**

Philips AVENT Double Electric Breast Pump, posted at amazon.com, earliest date available Apr. 22, 2021, [online], acquired on Mar. 16, 2022, Available on internet. url:https://www.amazon.com/Philips-AVENT-Electric-Advanced-Technology/dp/B08SBMRYPR/ref=cm\_cr\_arp\_d\_product\_top?ie=UTF8 (Year: 2021).\*

(\*\*) Term: **15 Years**

*Primary Examiner* — Samantha Wood  
*Assistant Examiner* — Aula Soroush

(21) Appl. No.: **29/823,103**

(22) Filed: **Jan. 14, 2022**

(57) **CLAIM**

The ornamental design for a breast pump funnel, as shown and described.

**Related U.S. Application Data**

(62) Division of application No. 29/709,442, filed on Oct. 15, 2019, now Pat. No. Des. 941,987.

**DESCRIPTION**

(30) **Foreign Application Priority Data**

May 17, 2019 (EM) ..... 006477592

(51) **LOC (13) Cl.** ..... **24-02**

(52) **U.S. Cl.**  
USPC ..... **D24/109**

(58) **Field of Classification Search**  
USPC ..... D24/107-109, 111, 113, 127, 185, 193,  
D24/197; D9/500, 549; D7/700  
CPC .... A61J 2200/50; A61J 13/00; A61J 2200/76;  
A61M 1/066; A61M 1/064  
See application file for complete search history.

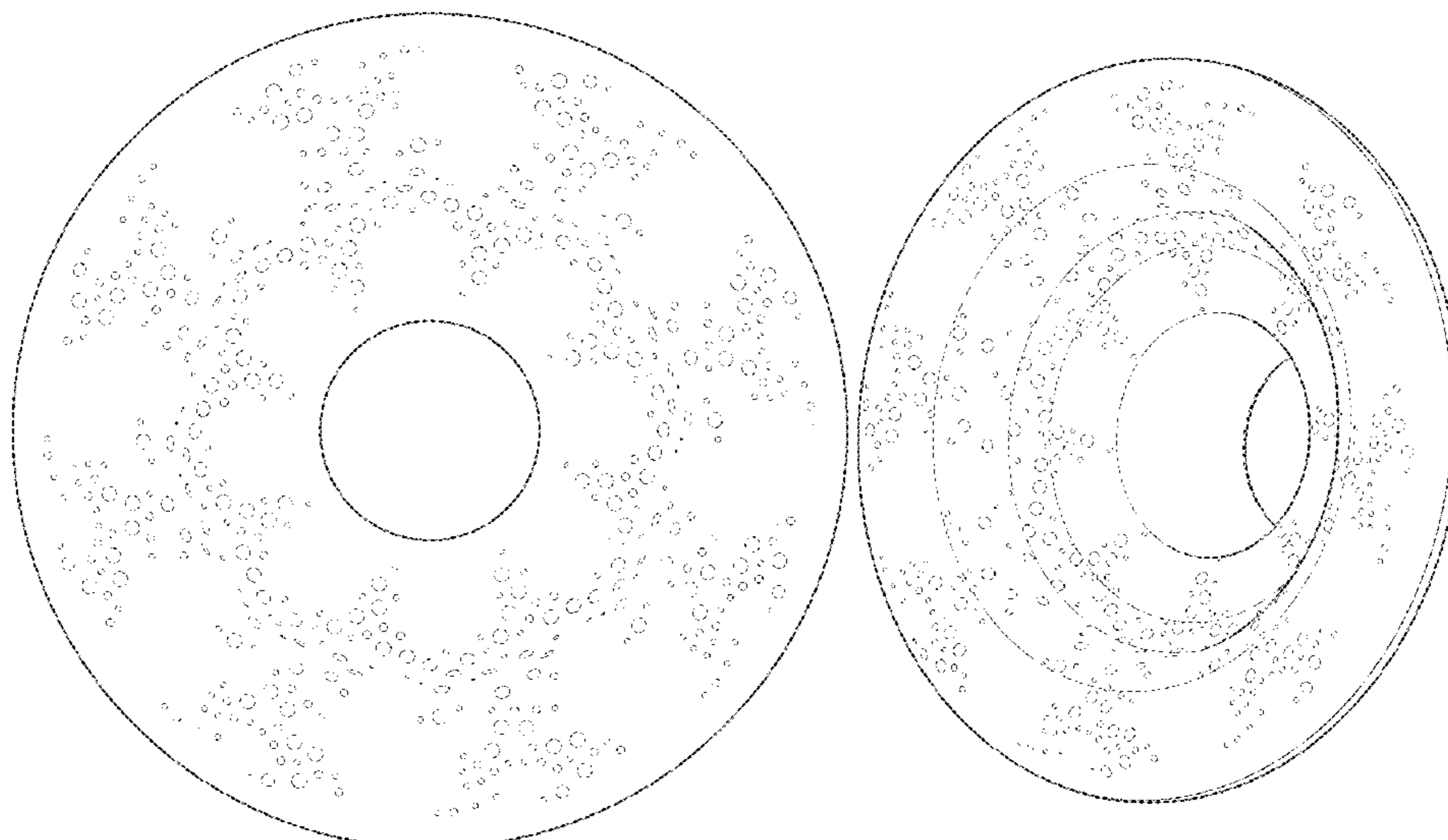
FIG. 1 is a front elevational view showing the first embodiment of my design;  
FIG. 2 is a front perspective view thereof;  
FIG. 3 is a rear elevational view thereof;  
FIG. 4 is a right side elevational view thereof;  
FIG. 5 is a left side elevational view thereof;  
FIG. 6 is a top perspective view thereof;  
FIG. 7 is a bottom perspective view thereof;  
FIG. 8 is a perspective view showing the second embodiment of my design;  
FIG. 9 is a front perspective view thereof;  
FIG. 10 is a rear perspective view thereof;  
FIG. 11 is a right side elevational view thereof;  
FIG. 12 is a left side elevational view thereof;  
FIG. 13 is a top perspective view thereof; and,  
FIG. 14 is a bottom perspective view thereof.  
The broken lines illustrate a portion of the breast pump funnel and form no part of the claimed design.

(56) **References Cited**

**U.S. PATENT DOCUMENTS**

D251,015 S \* 2/1979 Cone ..... 604/74  
6,273,868 B1 \* 8/2001 Nordvik ..... A61M 1/06  
604/74

**1 Claim, 12 Drawing Sheets**



(56)

References Cited

U.S. PATENT DOCUMENTS

6,887,218	B2 *	5/2005	Warburton	.....	A61M 1/066 604/74
D564,656	S *	3/2008	Matsutori	.....	D24/109
8,052,634	B2 *	11/2011	Thommen	.....	A61M 1/064 604/74
D676,956	S *	2/2013	Kirchner	.....	D24/109
D683,442	S *	5/2013	Cudworth	.....	D24/109
9,060,917	B1 *	6/2015	Tronson	.....	A61J 11/005
D783,803	S *	4/2017	Rigert	.....	D24/109
D810,924	S *	2/2018	Emmenegger	.....	D24/109
D814,018	S *	3/2018	Emmenegger	.....	D24/109
D815,272	S *	4/2018	Emmenegger	.....	D24/109
10,279,091	B1 *	5/2019	Jones	.....	A61M 1/064
10,434,230	B2 *	10/2019	Rigert	.....	A61M 1/06 604/74
D886,985	S *	6/2020	Subbanna	.....	D24/109
11,090,418	B2 *	8/2021	Hwang	.....	A61M 1/066
D941,987	S *	1/2022	Sandberg	.....	D24/109
11,273,241	B2 *	3/2022	Chen	.....	A61M 1/064
2018/0021492	A1 *	1/2018	Furrer	.....	A61M 1/064 604/74
2018/0028733	A1 *	2/2018	Rigert	.....	A61M 1/066
2019/0275222	A1 *	9/2019	Evans	.....	A61M 1/064
2019/0365609	A1 *	12/2019	Le	.....	A61M 1/066

\* cited by examiner

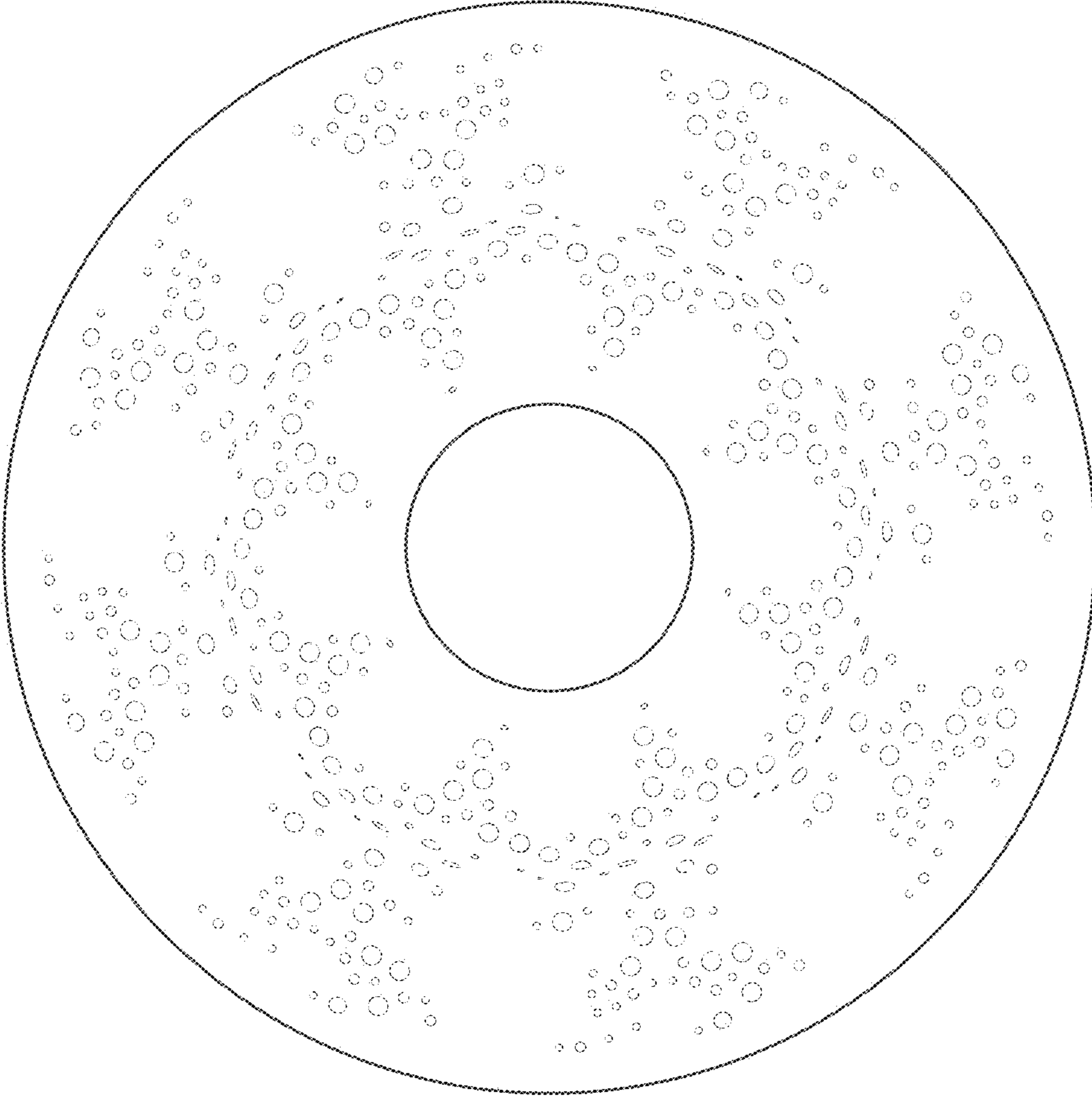


FIG. 1

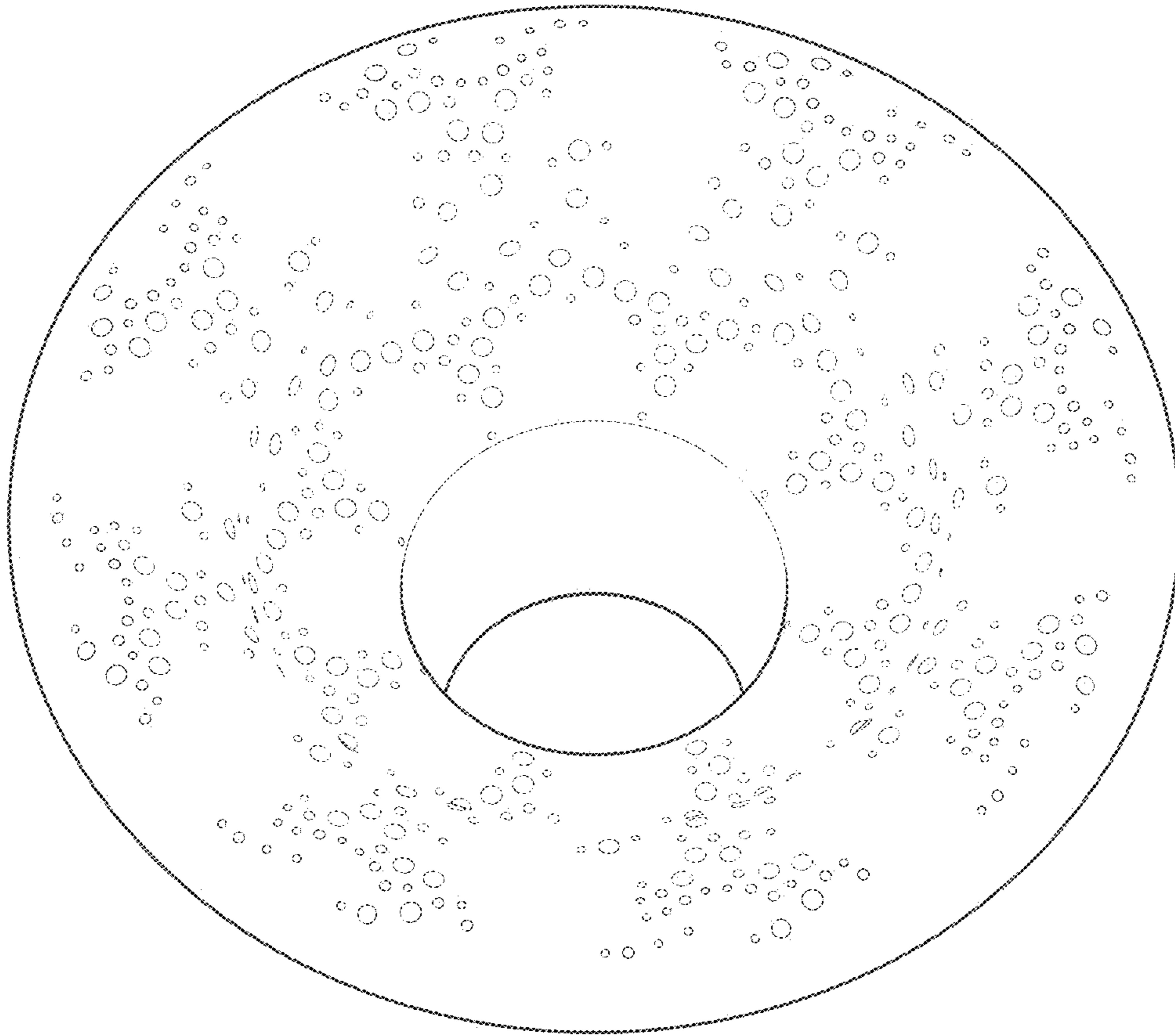


FIG. 2

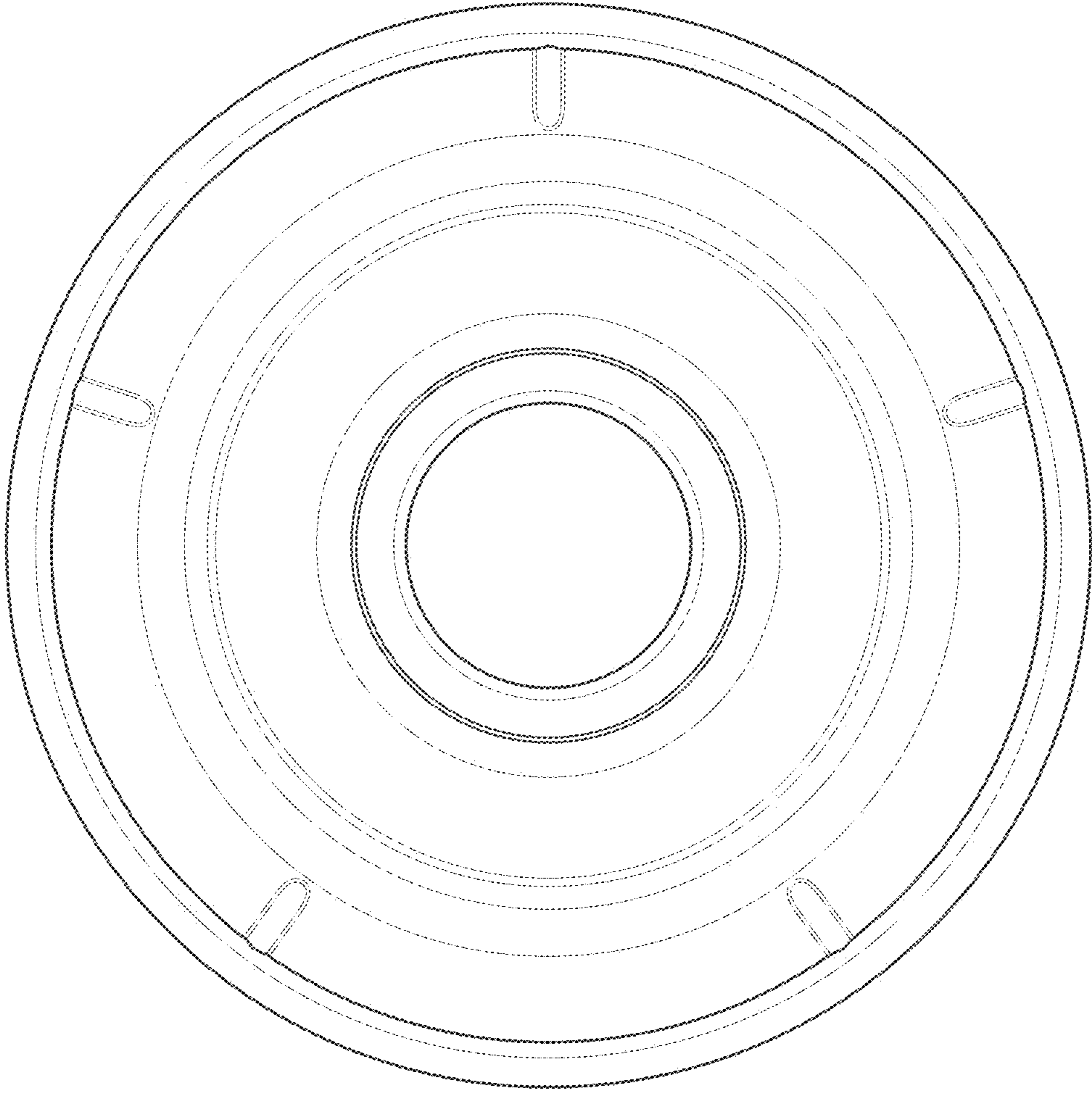


FIG. 3

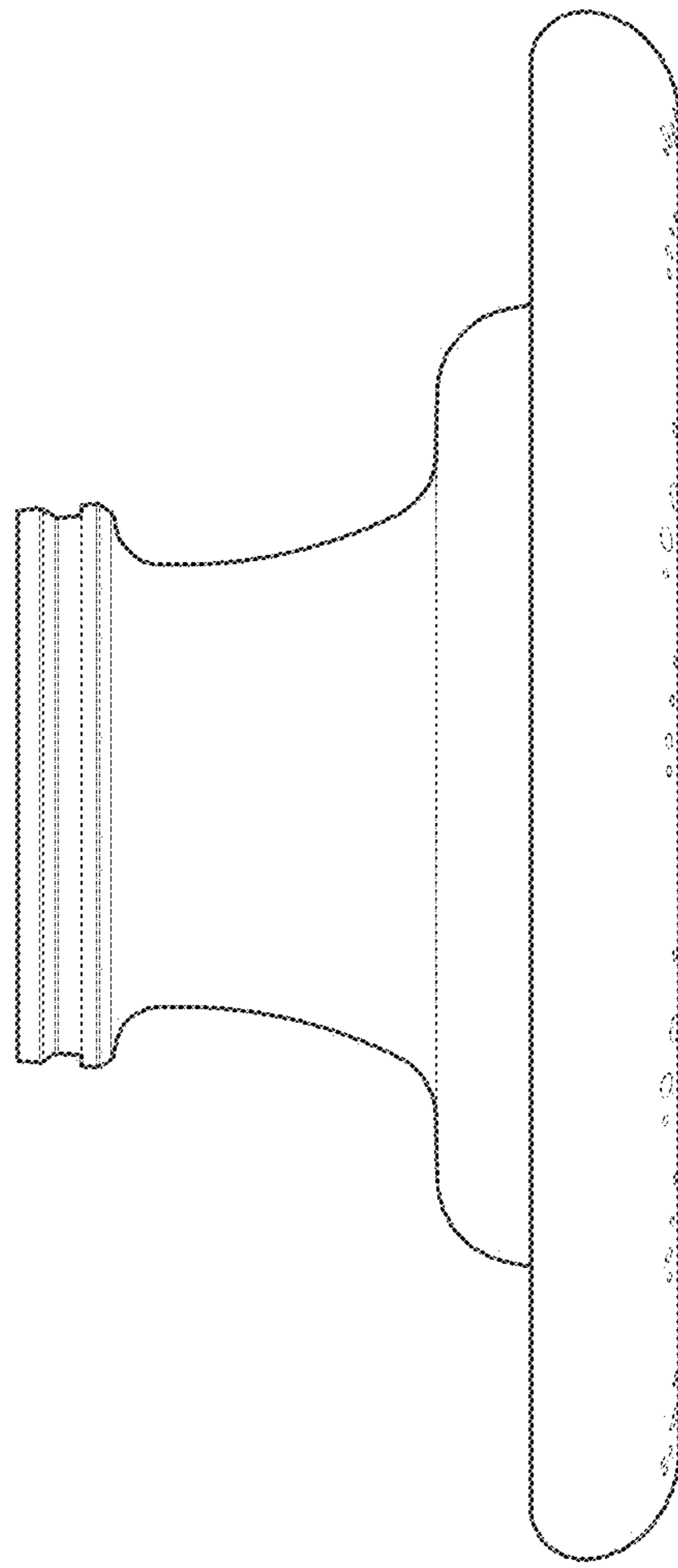


FIG. 4

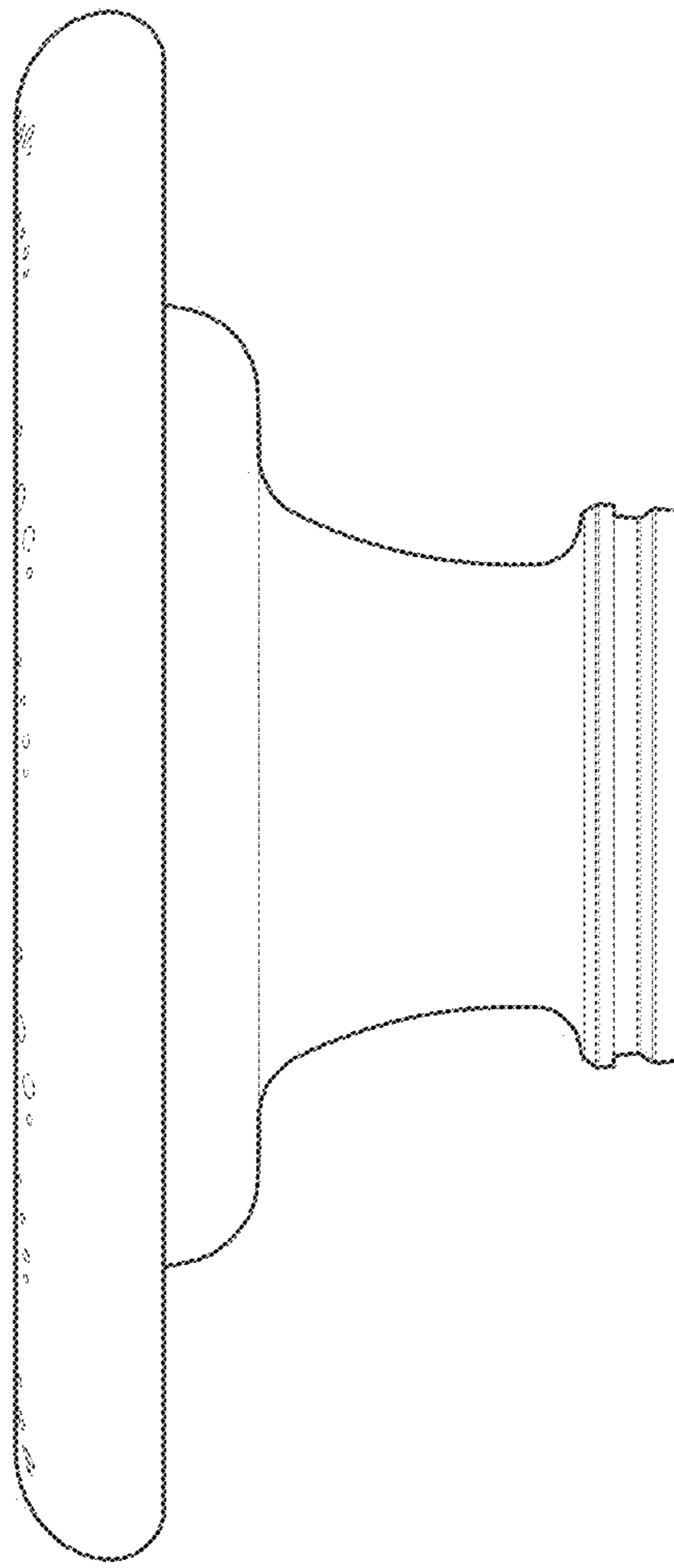


FIG. 5

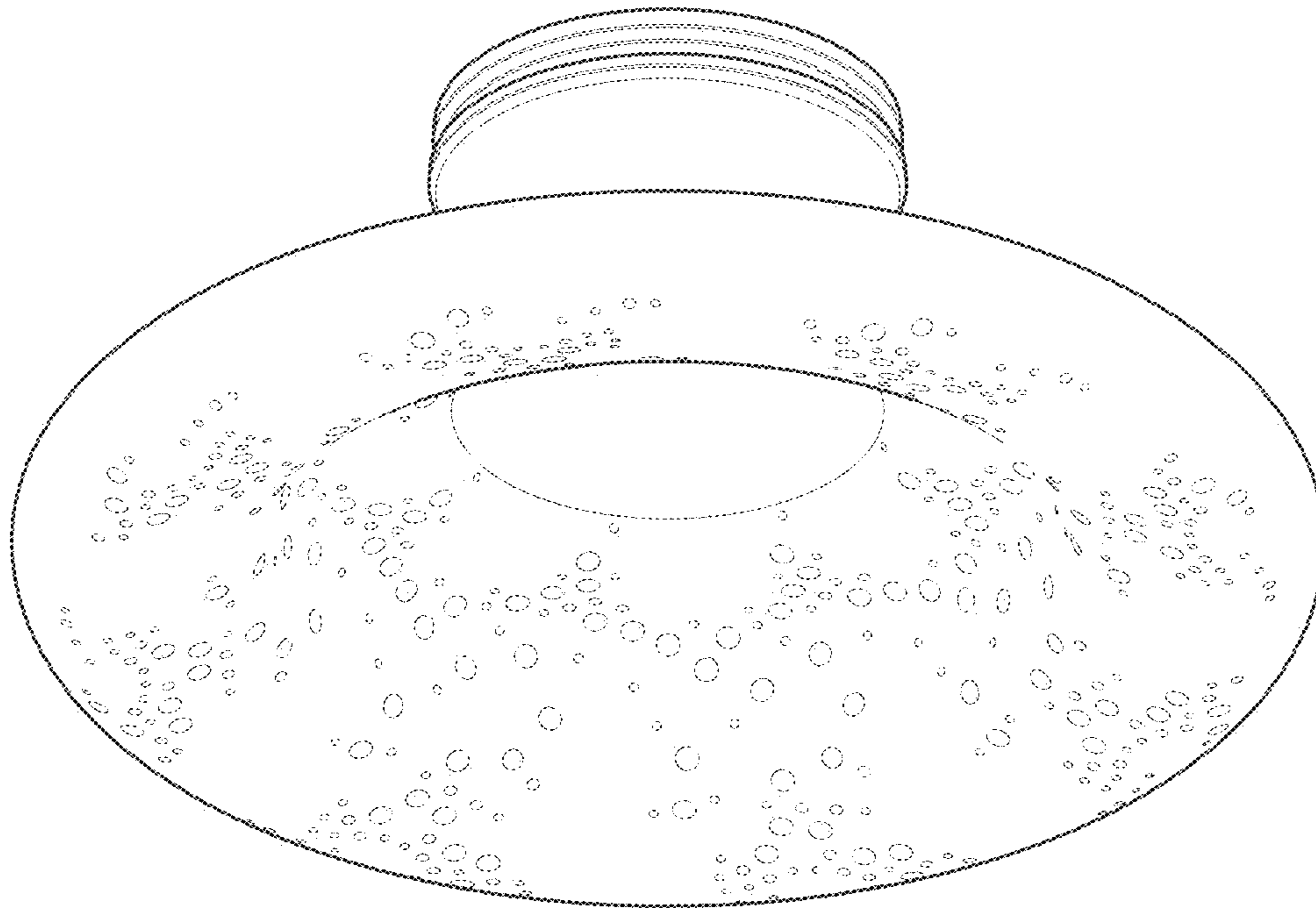


FIG. 6

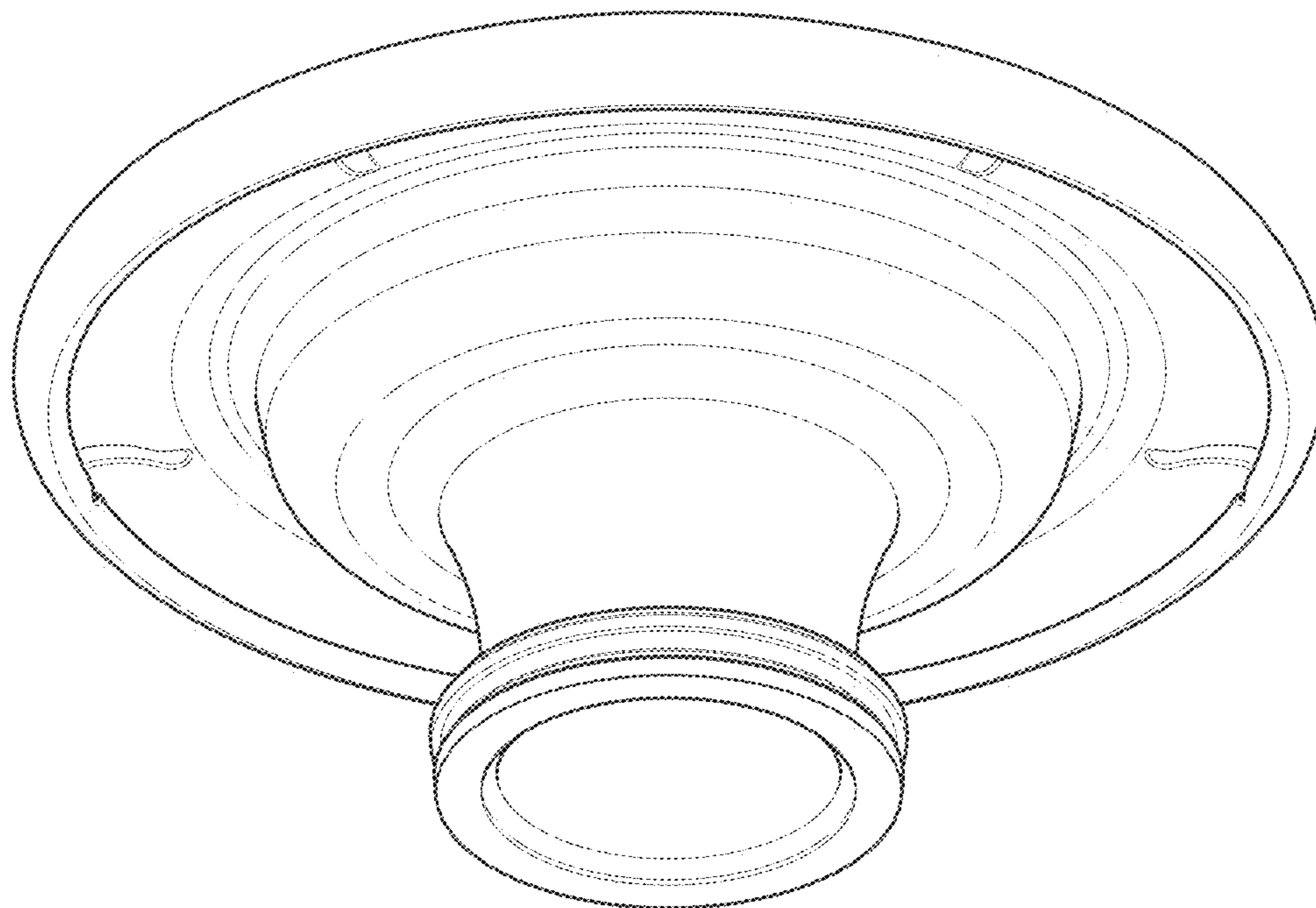


FIG. 7



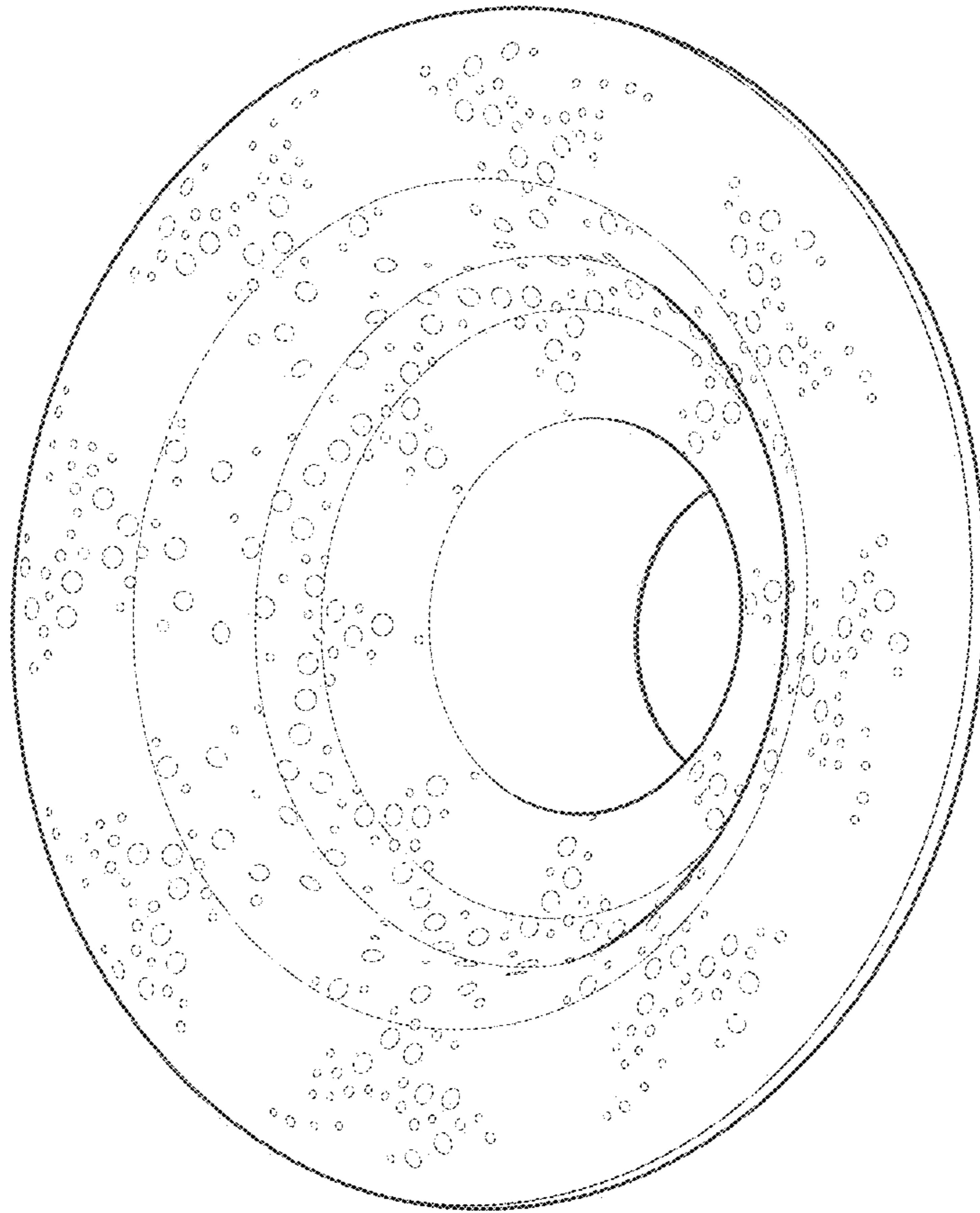


FIG. 8

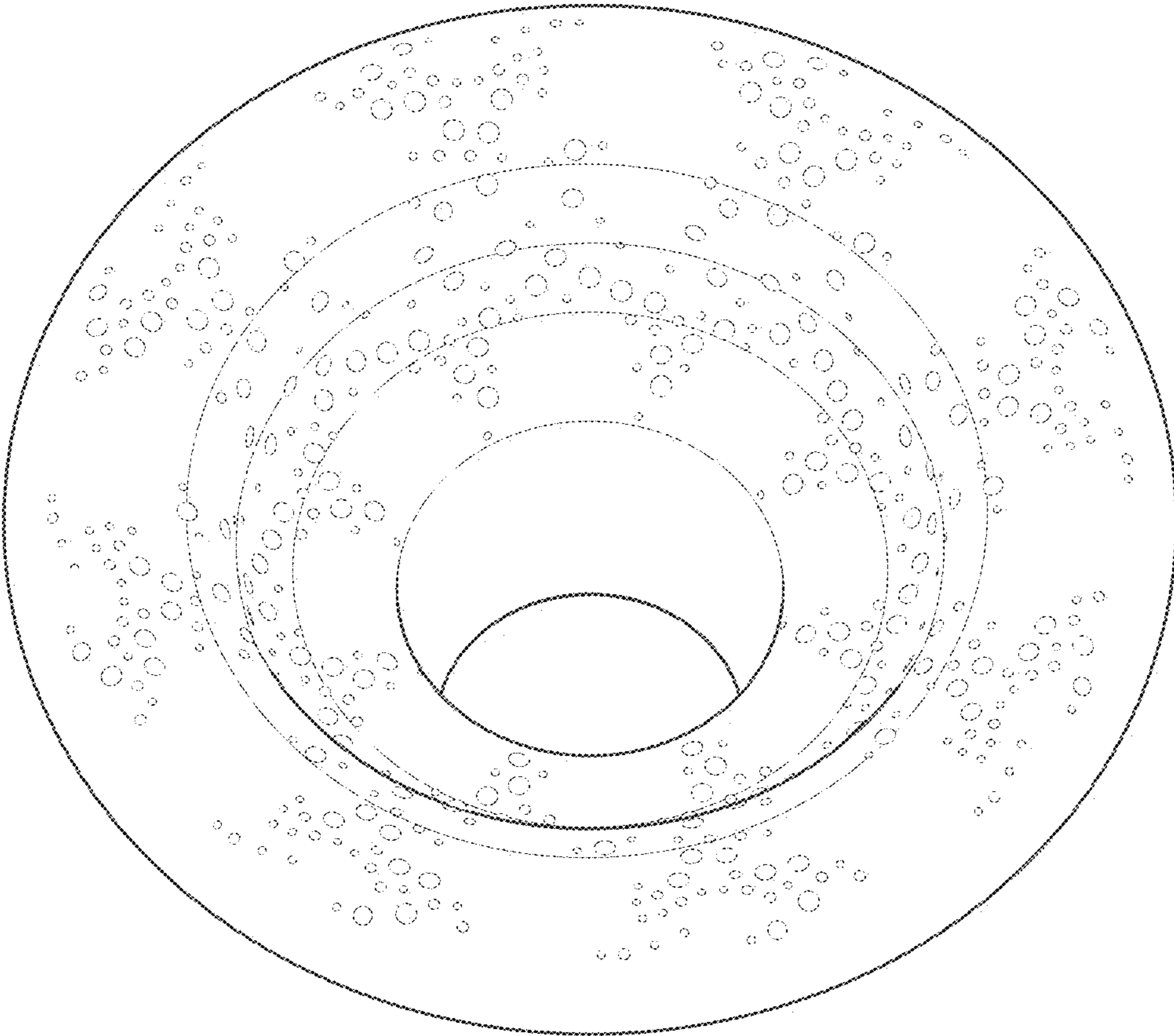


FIG. 9

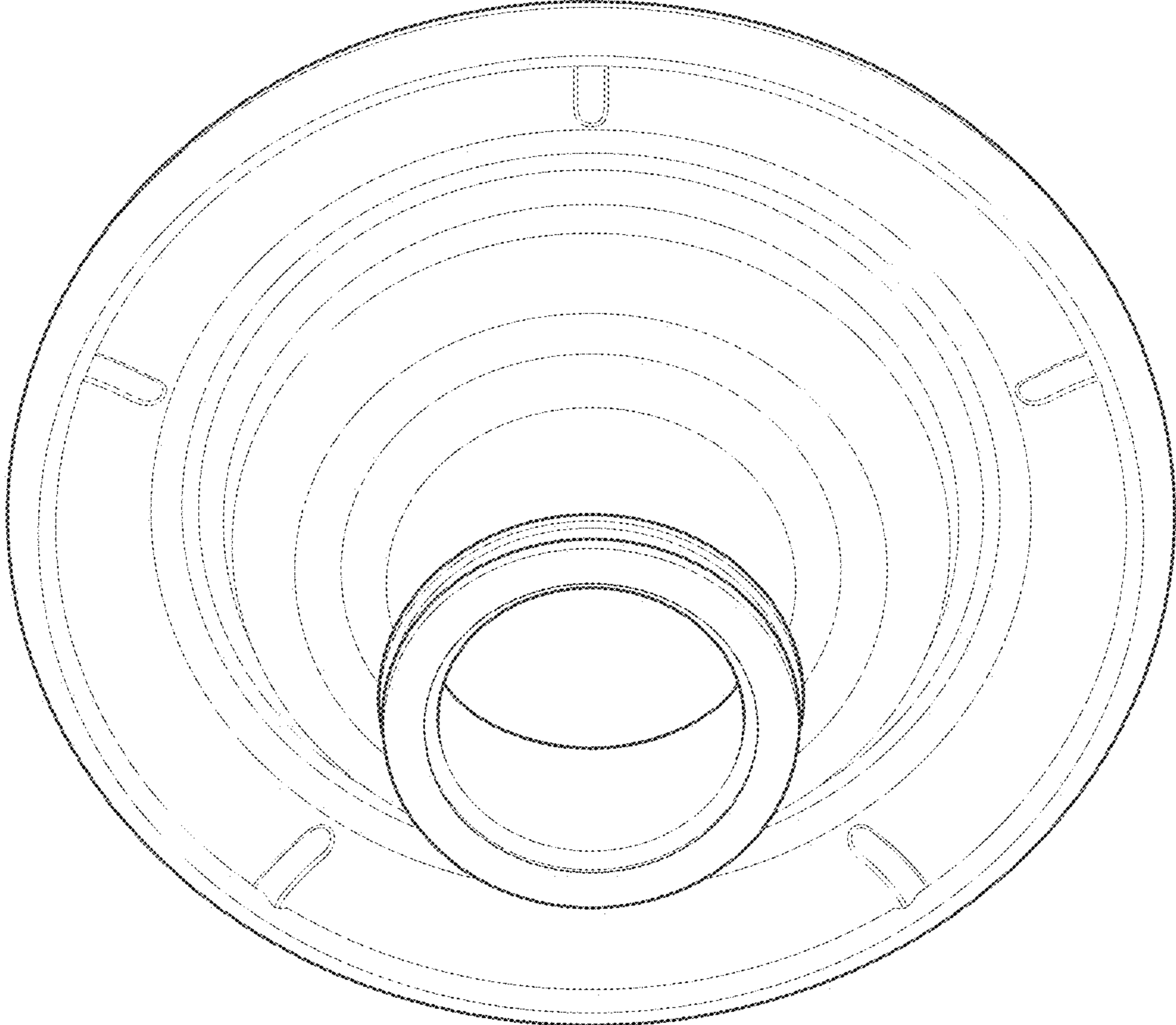


FIG. 10

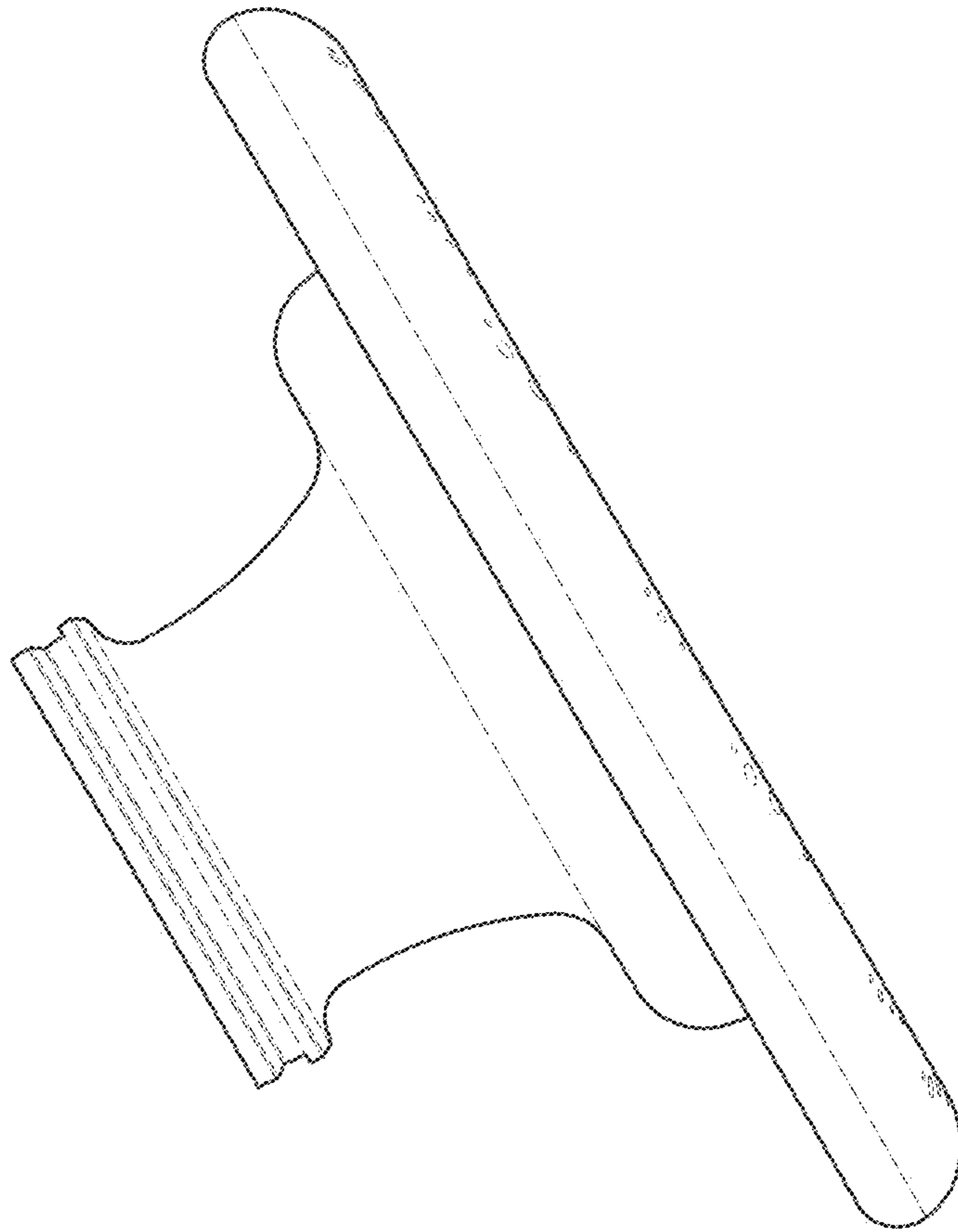


FIG. 11

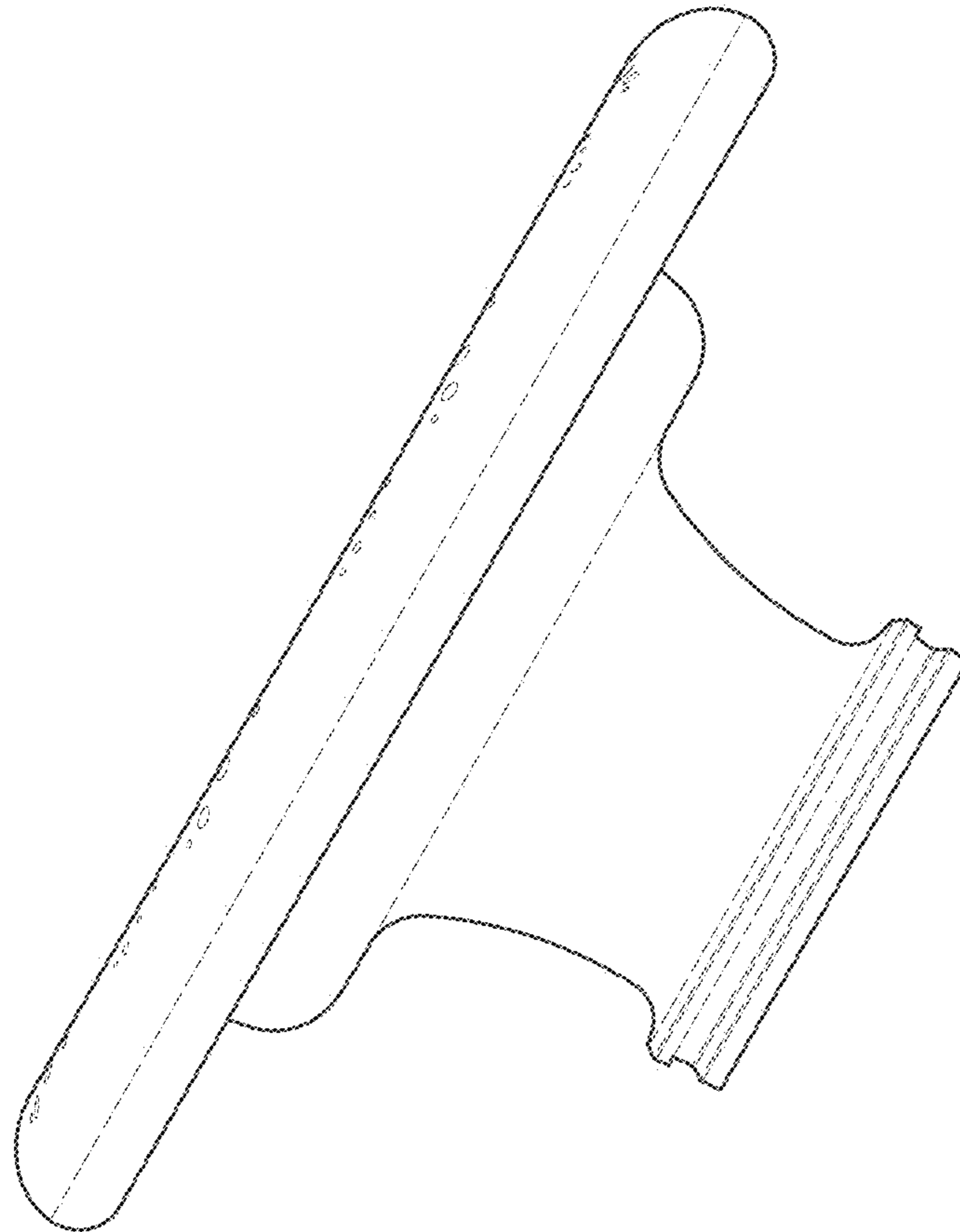


FIG. 12

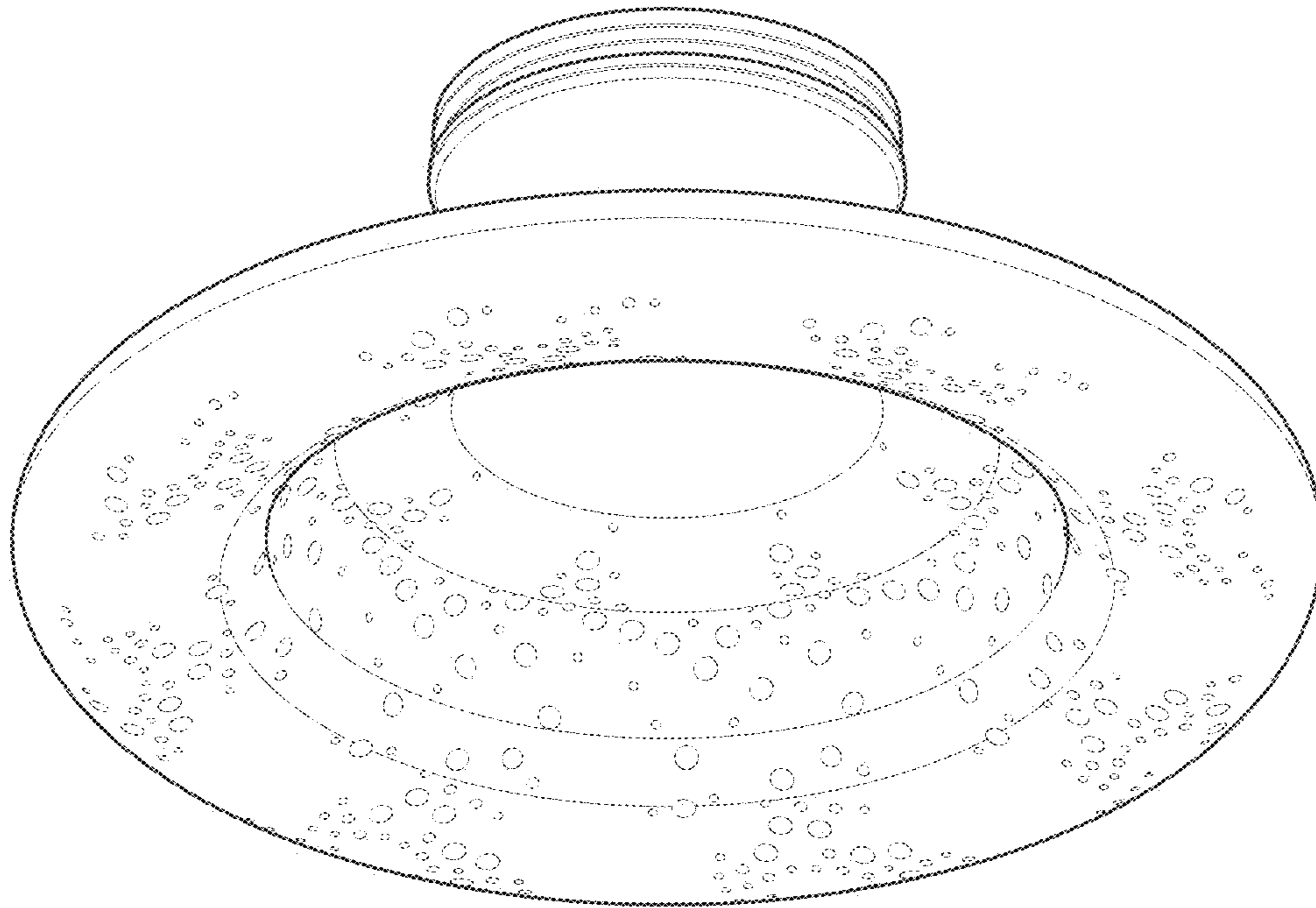


FIG. 13

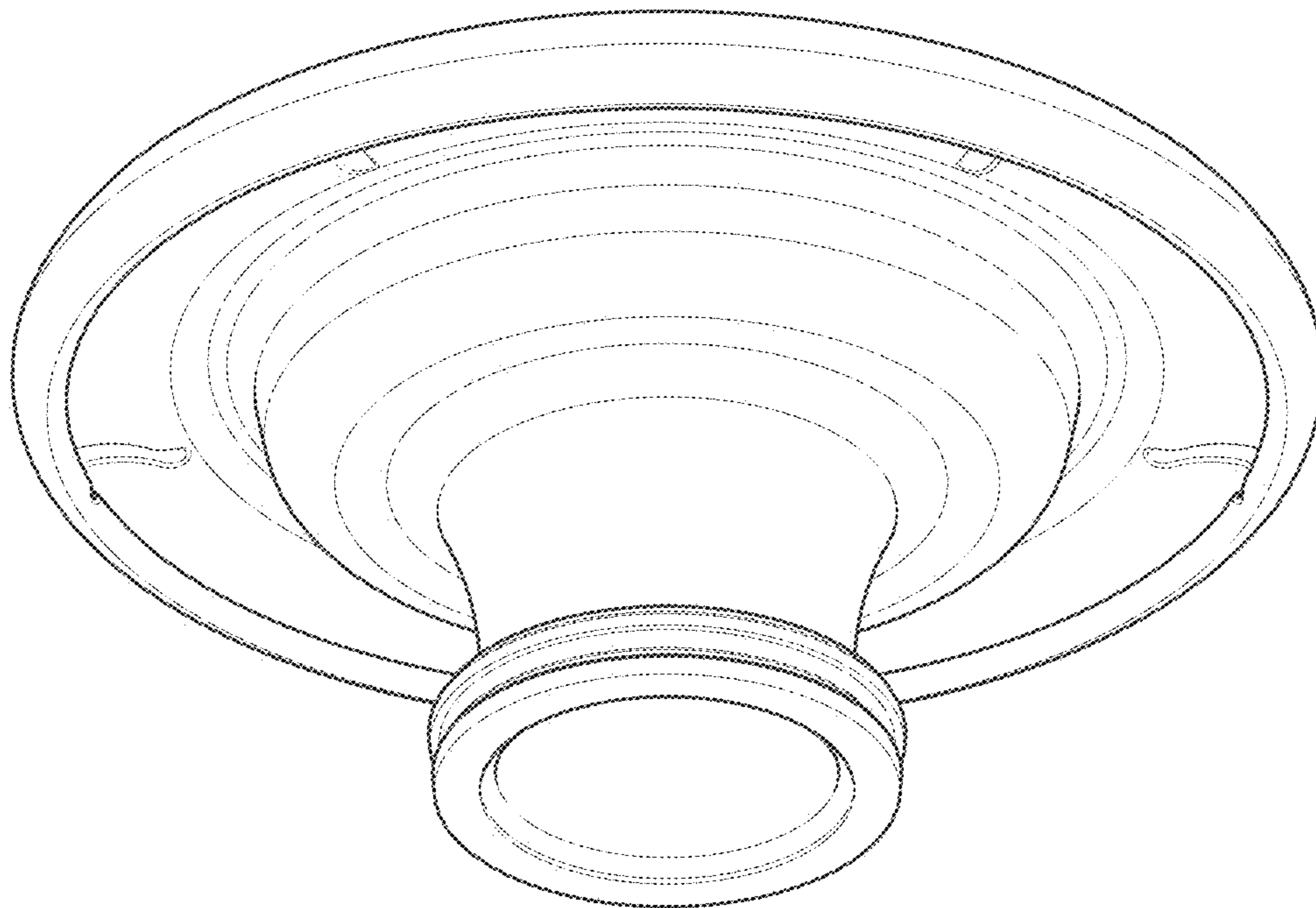


FIG. 14