



US00D968585S

(12) **United States Design Patent**  
**Sandberg**

(10) **Patent No.:** **US D968,585 S**  
(45) **Date of Patent:** **\*\* Nov. 1, 2022**

(54) **BREAST PUMP**

(71) Applicant: **KONINKLIJKE PHILIPS N.V.**,  
Eindhoven (NL)

(72) Inventor: **Emma Stina Katarina Sandberg**,  
Amsterdam (NL)

(73) Assignee: **KONINKLIJKE PHILIPS N.V.**,  
Eindhoven (NL)

(\*\*) Term: **15 Years**

(21) Appl. No.: **29/709,443**

(22) Filed: **Oct. 15, 2019**

(30) **Foreign Application Priority Data**

May 17, 2019 (EM) ..... 006477592

(51) **LOC (13) Cl.** ..... **24-02**

(52) **U.S. Cl.**  
USPC ..... **D24/109**

(58) **Field of Classification Search**

USPC ..... D24/107-109, 111, 113, 127, 185, 193,  
D24/197; D9/500, 549; D7/700;  
D14/203.2-203.7; D13/168

CPC ..... A61M 1/00; A61M 1/06; A61M 1/062;  
A61M 1/064; A61M 1/80; A61M 1/82;  
A61M 1/0001; A61M 2205/502; A61M  
2205/8206; A61M 2205/07; A61M  
2205/505; A61M 2205/071; A61M  
2205/075; A61M 2205/123; A61J 9/00;  
A61J 13/00; A61J 2200/50; A61J 2200/76

See application file for complete search history.

(56) **References Cited**

**U.S. PATENT DOCUMENTS**

5,601,531 A \* 2/1997 Silver ..... A61M 1/06  
604/152  
5,776,098 A \* 7/1998 Silver ..... F04B 45/047  
604/74

6,139,521 A \* 10/2000 Larsson ..... A61M 1/06  
604/74  
6,257,847 B1 \* 7/2001 Silver ..... F04B 45/047  
604/74

(Continued)

**OTHER PUBLICATIONS**

Philips AVENT Double Electric Breast Pump, posted at amazon.com, earliest date available Apr. 22, 2021, [online], acquired on Mar. 16, 2022, Available on internet. url:https://www.amazon.com/Philips-AVENT-Electric-Advanced-Technology/dp/B08SBMRYPR/ref=cm\_cr\_arp\_d\_product\_top?ie=UTF8 (Year: 2021).\*

*Primary Examiner* — Samantha Wood

*Assistant Examiner* — Aula Soroush

(57) **CLAIM**

The ornamental design for a breast pump, as shown and described.

**DESCRIPTION**

FIG. 1 is a perspective view of a breast pump of a first embodiment showing my new design;  
FIG. 2 is a front elevational view thereof;  
FIG. 3 is a rear elevational view thereof;  
FIG. 4 is a right side elevational view thereof;  
FIG. 5 is a left side elevational view thereof;  
FIG. 6 is a top plan view thereof;  
FIG. 7 is a bottom plan view thereof;  
FIG. 8 is a perspective view of a breast pump of a second embodiment showing my new design;

(Continued)

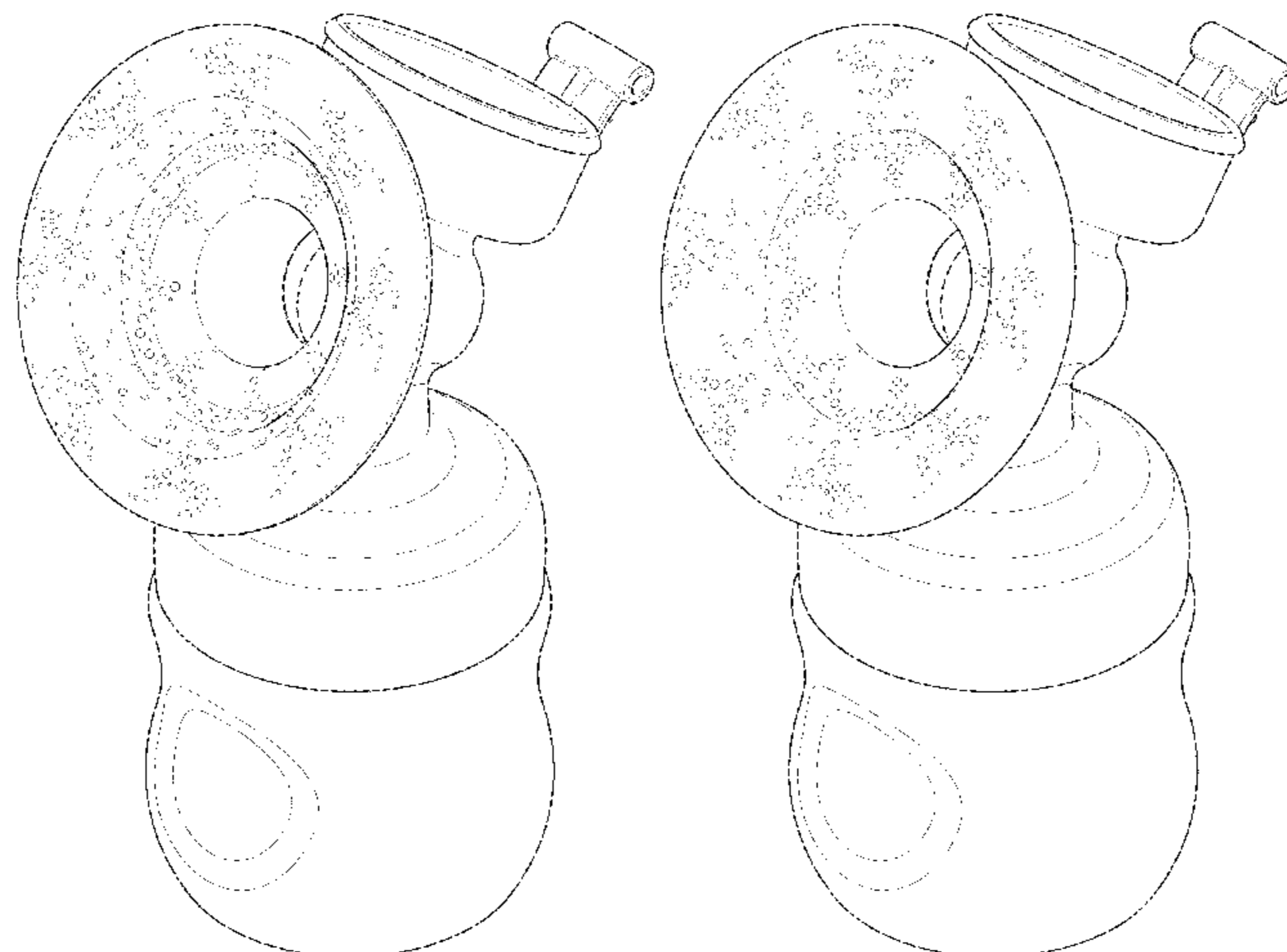


FIG. 9 is a front elevational view thereof;  
FIG. 10 is a rear elevational view thereof;  
FIG. 11 is a right side elevational view thereof;  
FIG. 12 is a left side elevational view thereof;  
FIG. 13 is a top plan view thereof; and,  
FIG. 14 is a bottom plan view thereof.  
The broken lines illustrate a portion of the breast pump and  
form no part of the claimed design.

**1 Claim, 14 Drawing Sheets**

(56)

**References Cited**

U.S. PATENT DOCUMENTS

6,383,163 B1 \* 5/2002 Kelly ..... A61M 1/06  
604/74  
8,137,153 B2 \* 3/2012 Bell ..... A61M 1/062  
604/74

8,137,305 B2 \* 3/2012 Kelly ..... A61M 1/75  
604/74  
D688,785 S \* 8/2013 Cudworth ..... D24/109  
D688,786 S \* 8/2013 Cudworth ..... D24/109  
8,608,685 B2 \* 12/2013 Tashiro ..... A61M 1/066  
604/74  
D701,955 S \* 4/2014 Thomas ..... D24/109  
8,945,046 B2 \* 2/2015 Brittner ..... A61J 9/00  
604/74  
9,724,454 B2 \* 8/2017 Yamashita ..... A61M 1/06  
10,220,127 B2 \* 3/2019 Tattersfield ..... A61M 1/066  
10,383,989 B2 \* 8/2019 Bijloo ..... A61M 1/062  
10,568,996 B2 \* 2/2020 Aalders ..... A61M 1/062  
10,716,882 B2 \* 7/2020 Evans ..... A61M 1/064  
10,814,052 B2 \* 10/2020 Aalders ..... A61M 1/06  
10,987,455 B2 \* 4/2021 Aalders ..... A61M 1/73  
11,123,462 B2 \* 9/2021 Ochiai ..... A61M 1/06  
11,167,067 B2 \* 11/2021 De Lat ..... A61M 1/75

\* cited by examiner

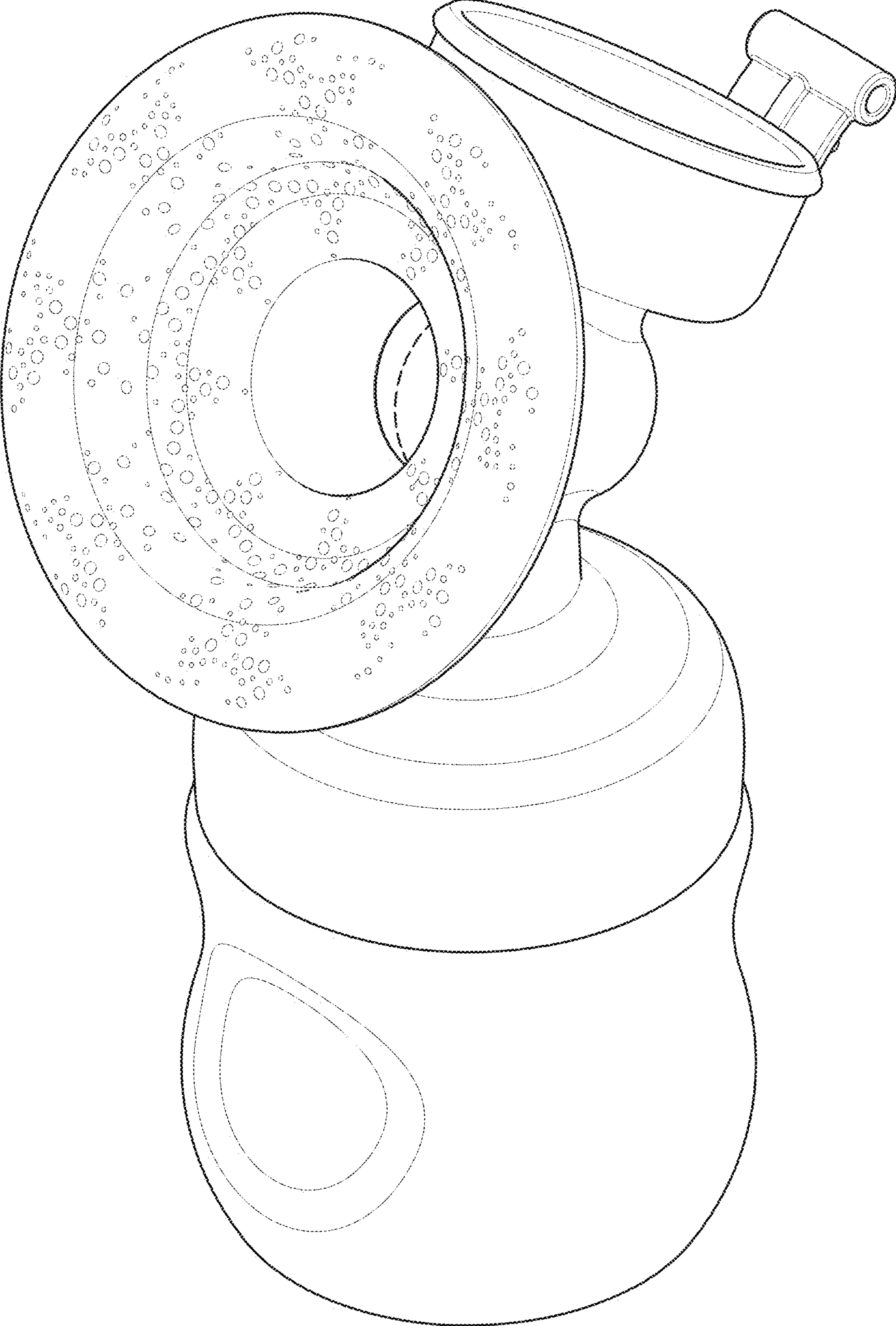


FIG. 1

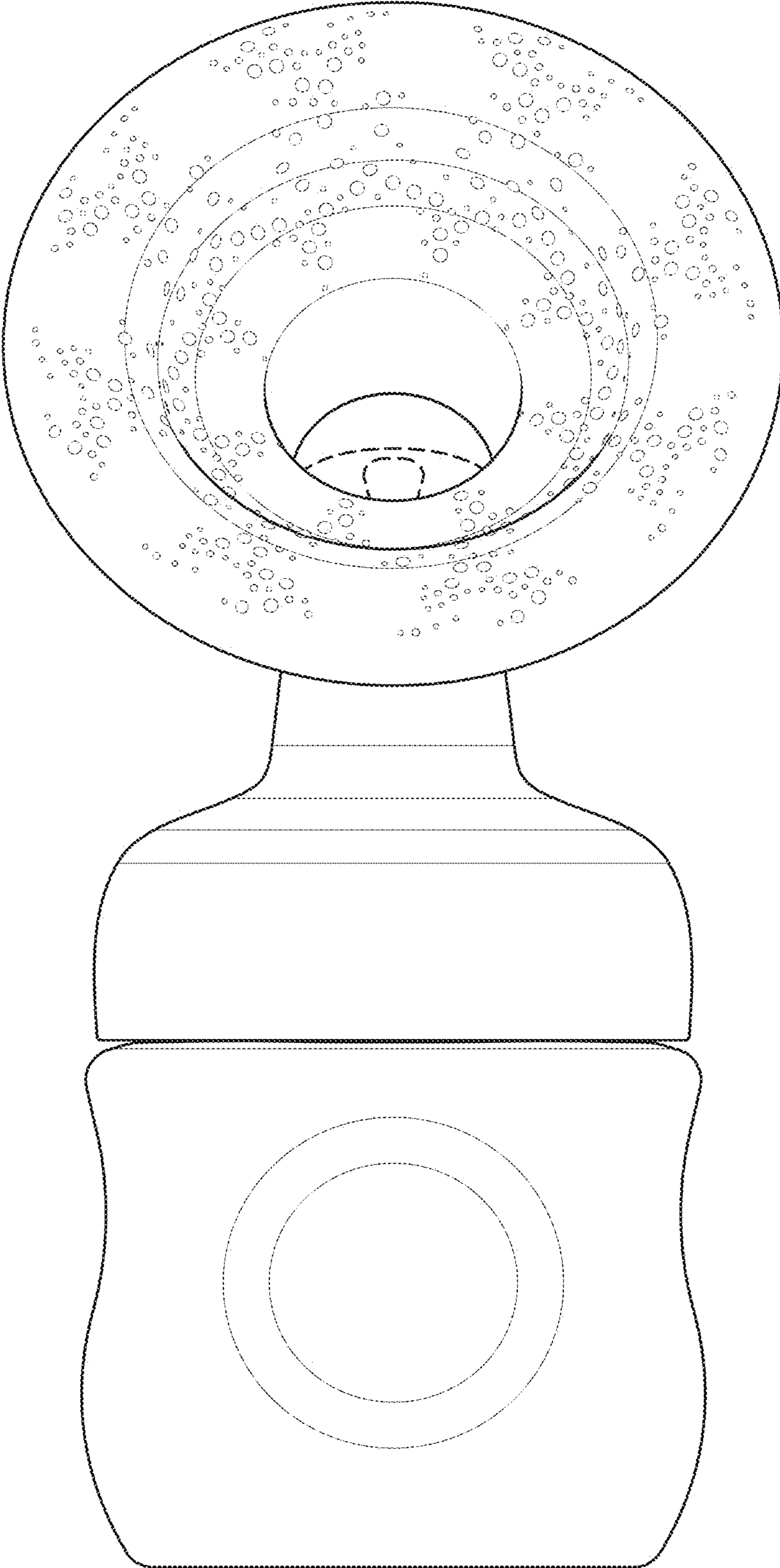


FIG. 2

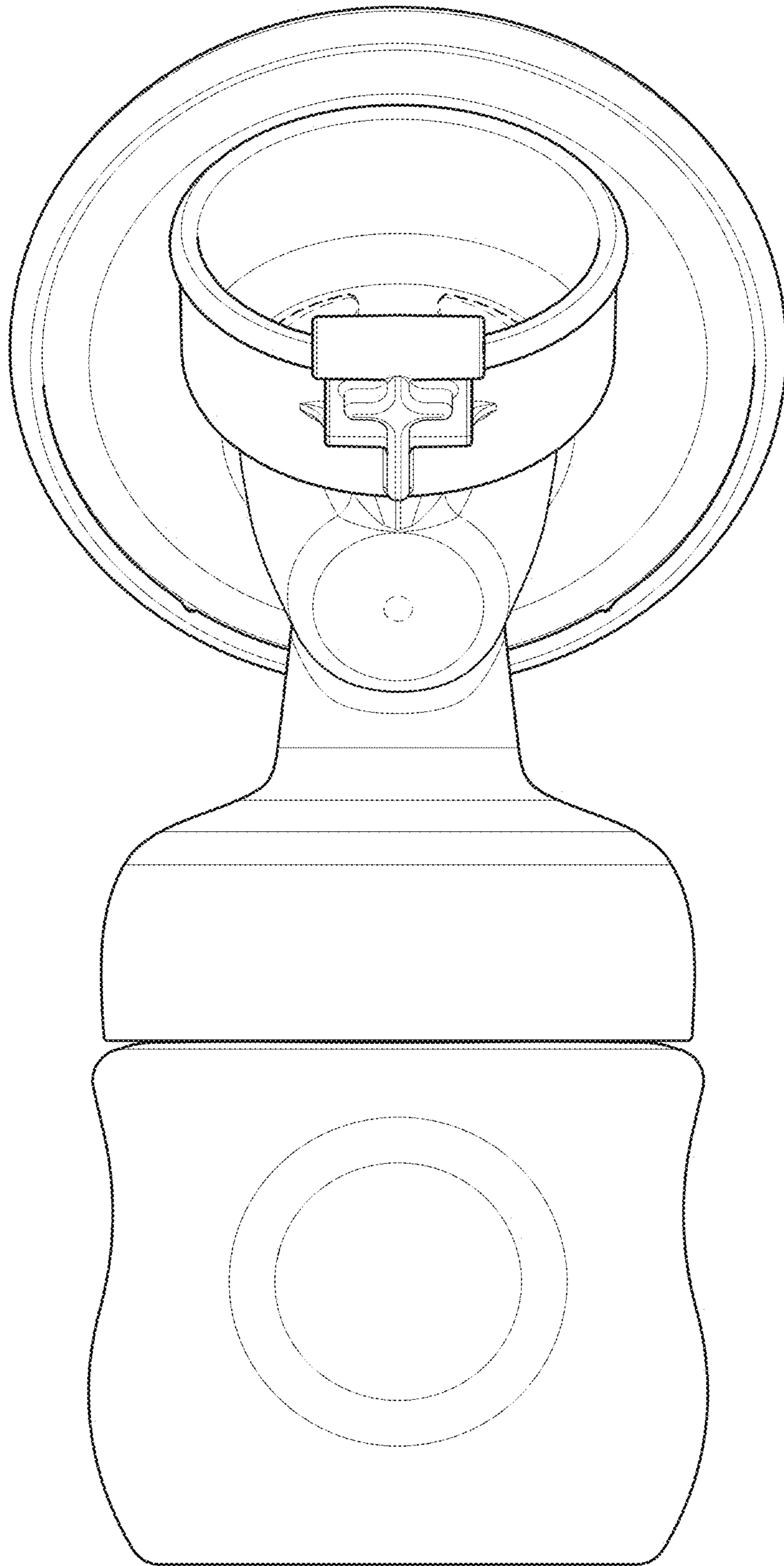


FIG. 3

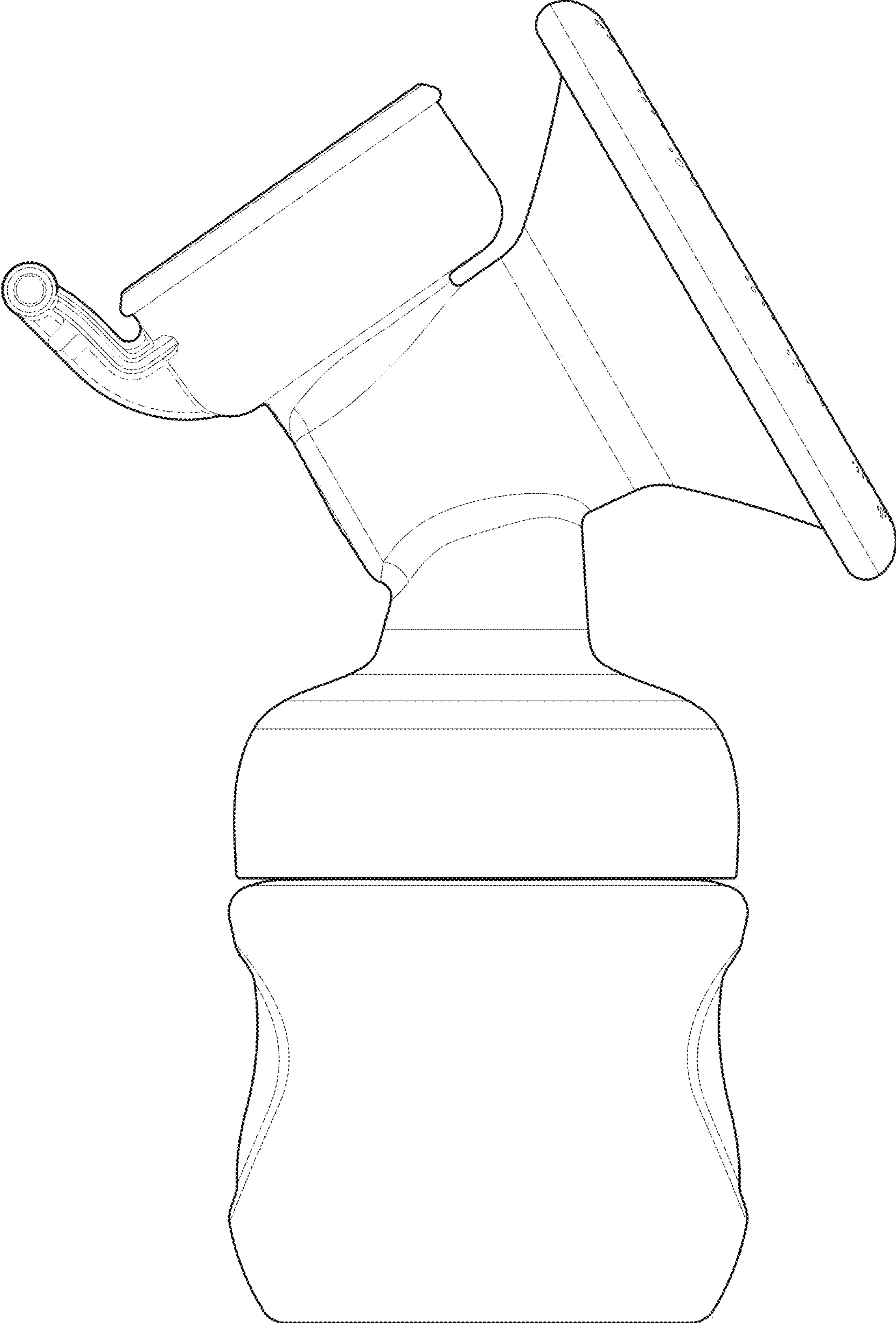


FIG. 4

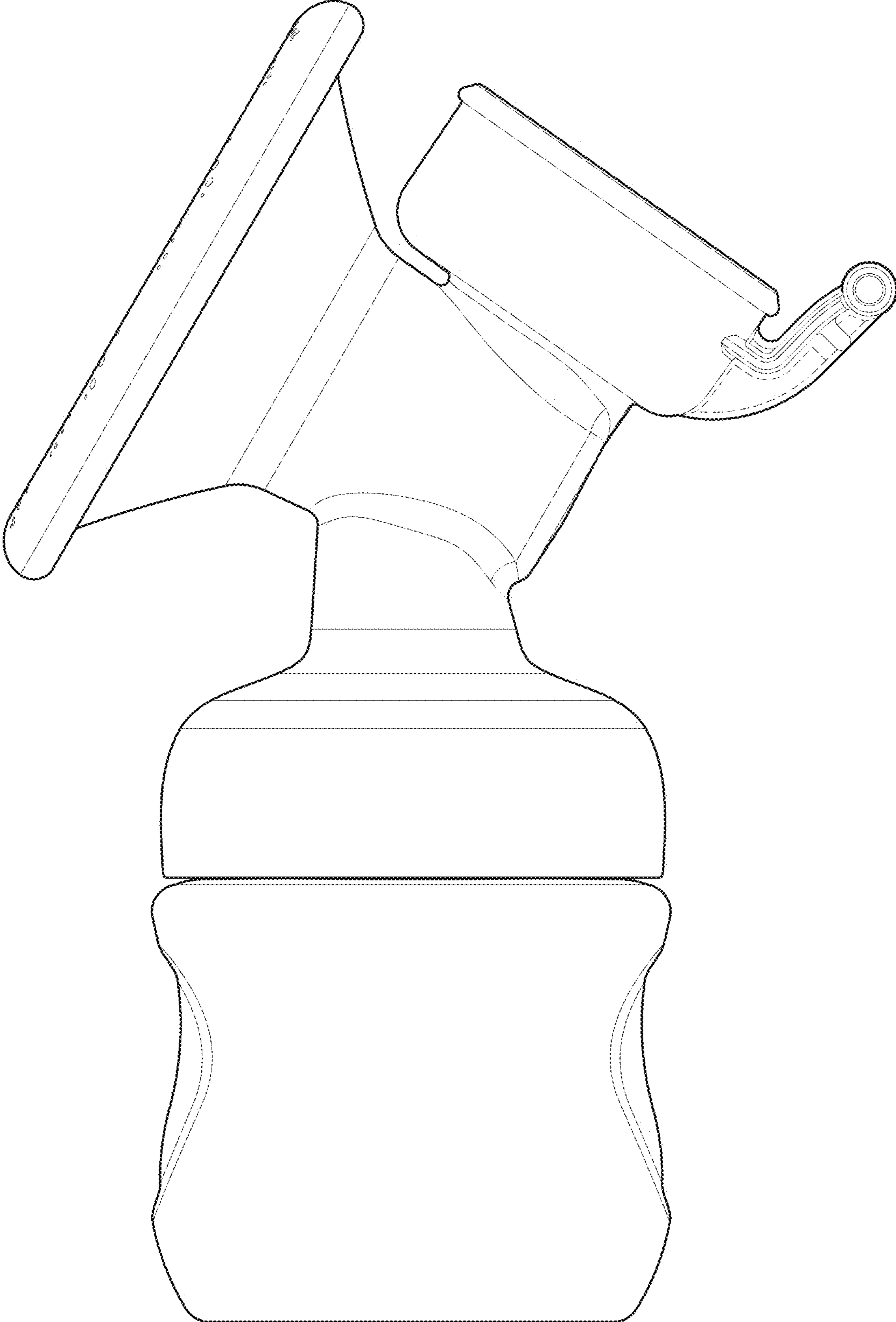


FIG. 5

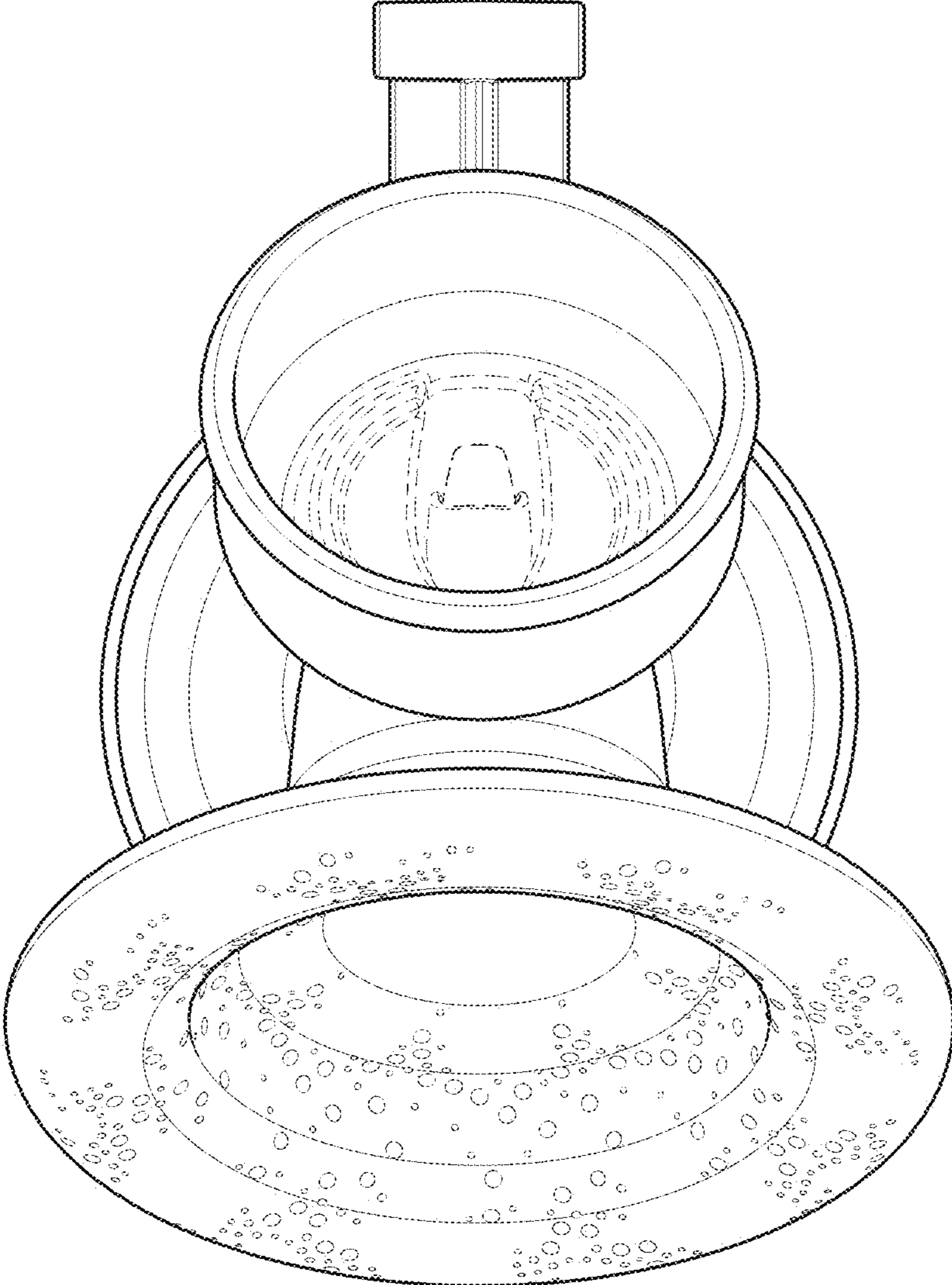


FIG. 6



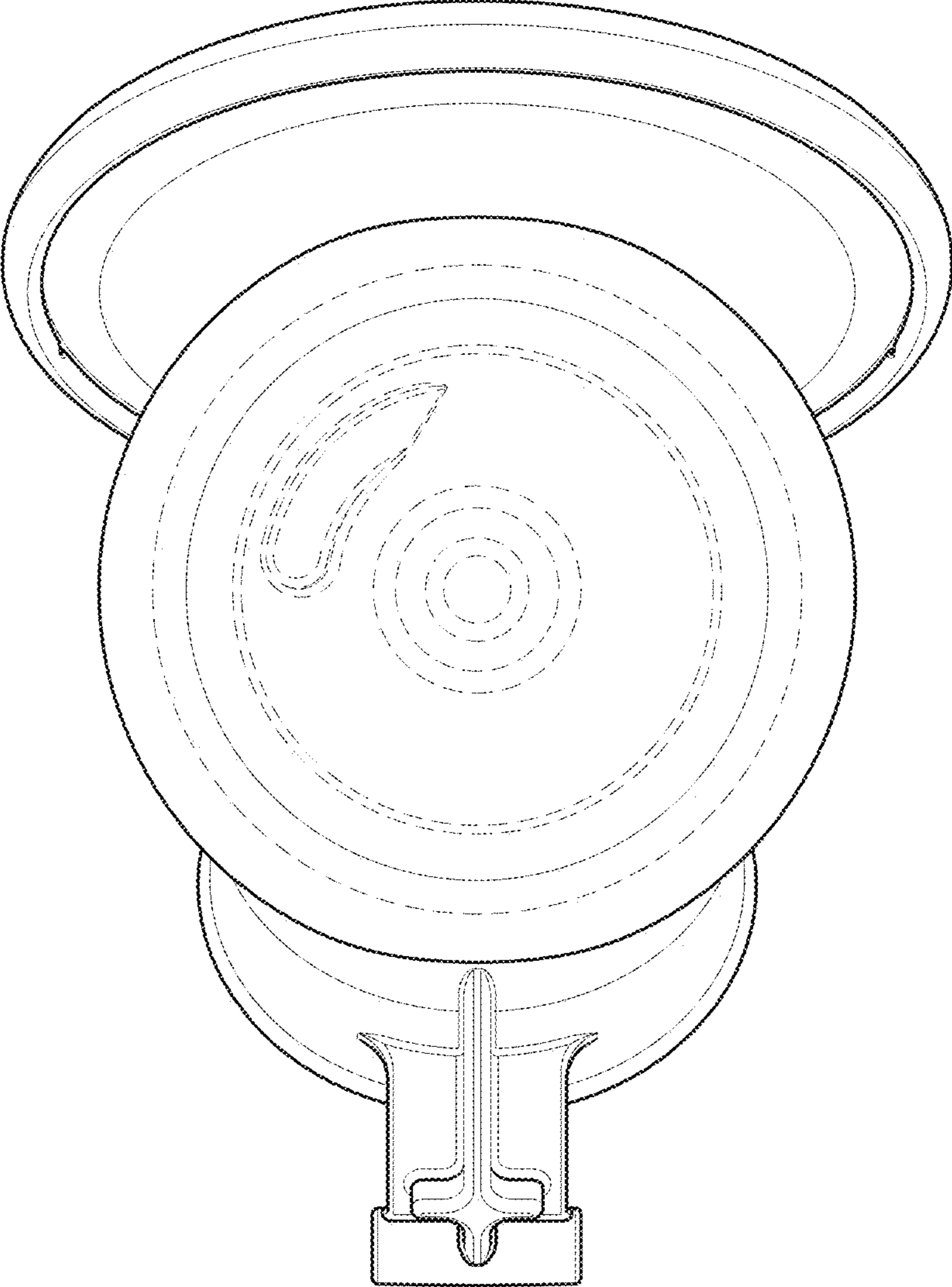


FIG. 7

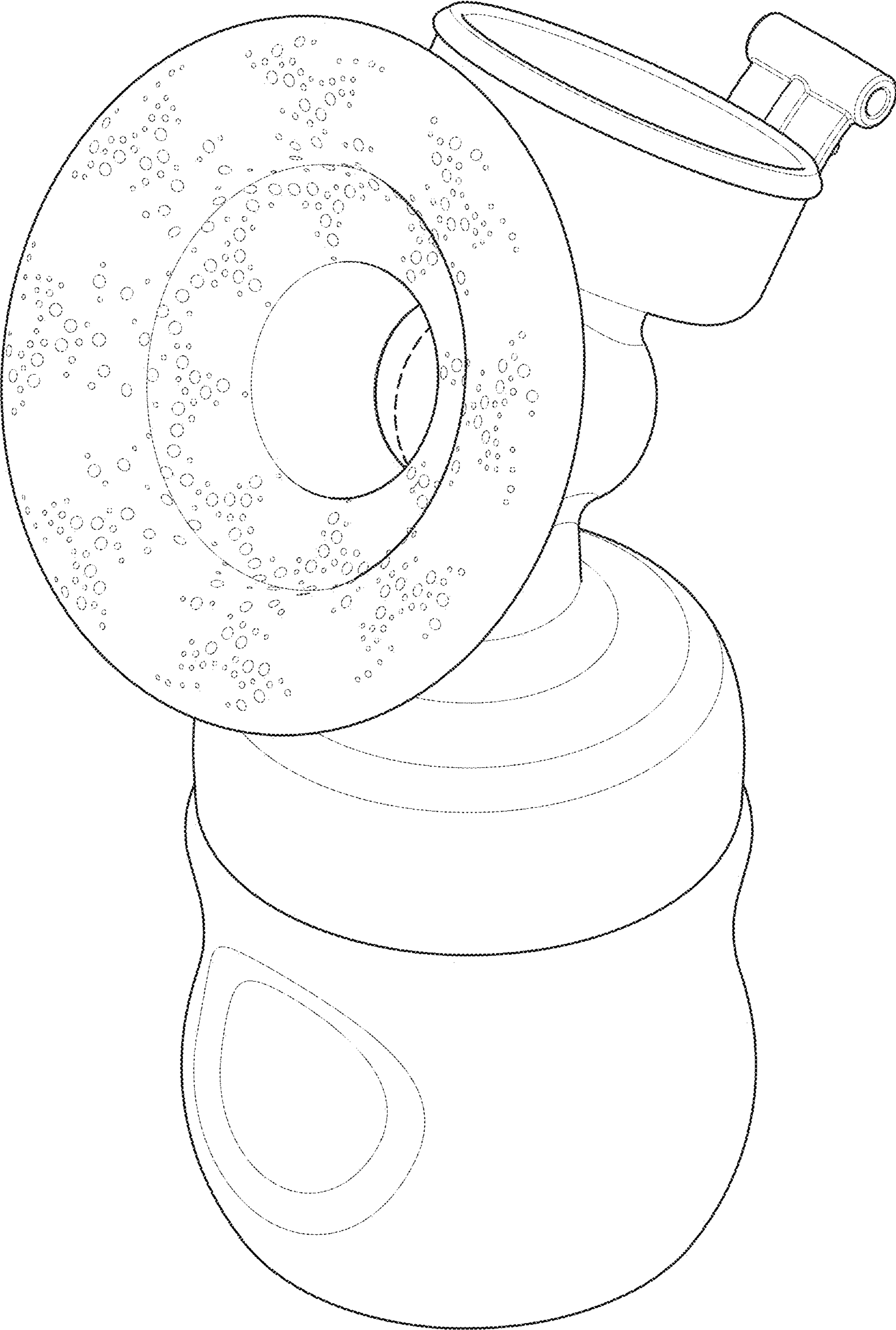


FIG. 8

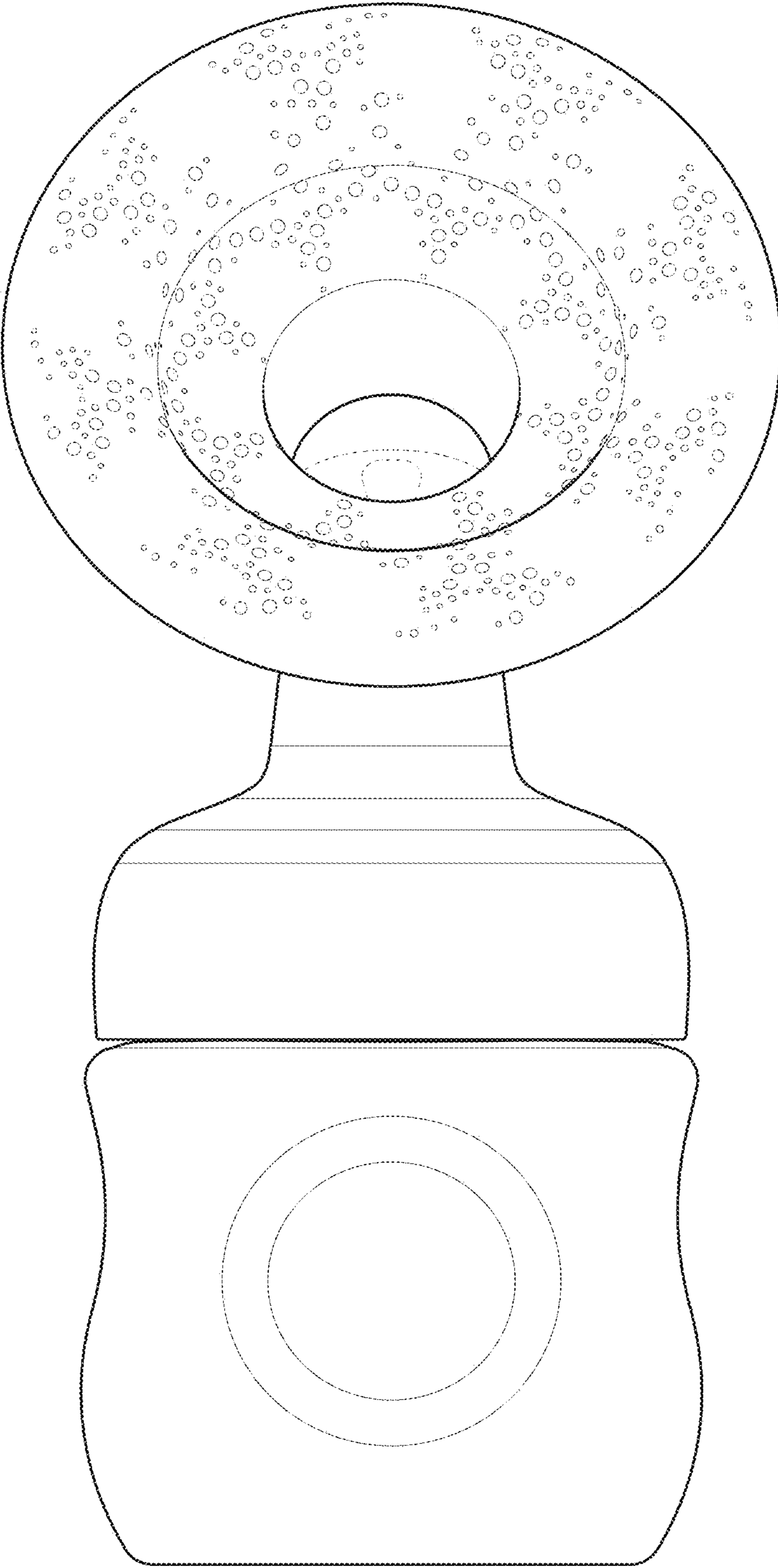


FIG. 9

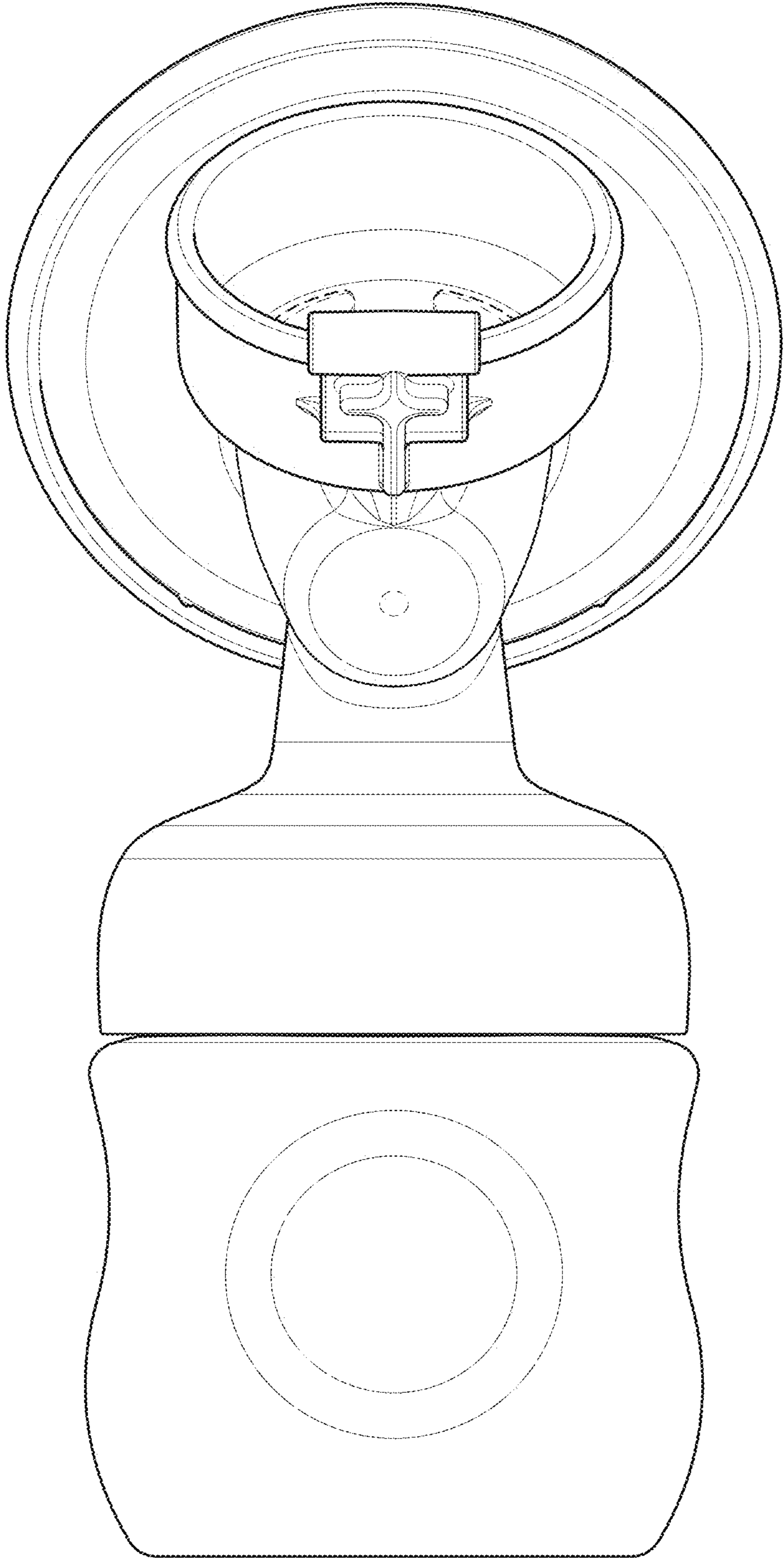


FIG. 10

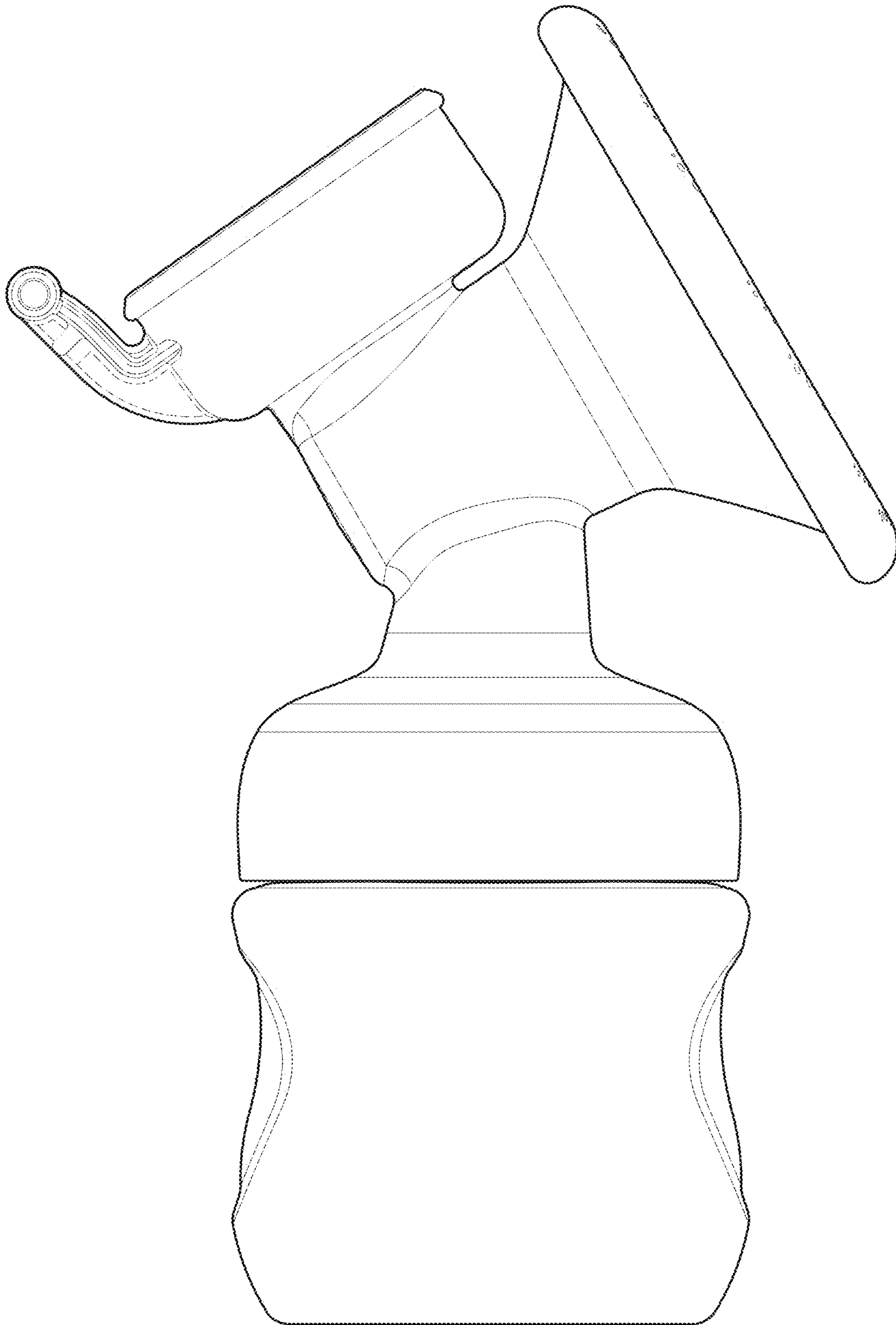


FIG. 11

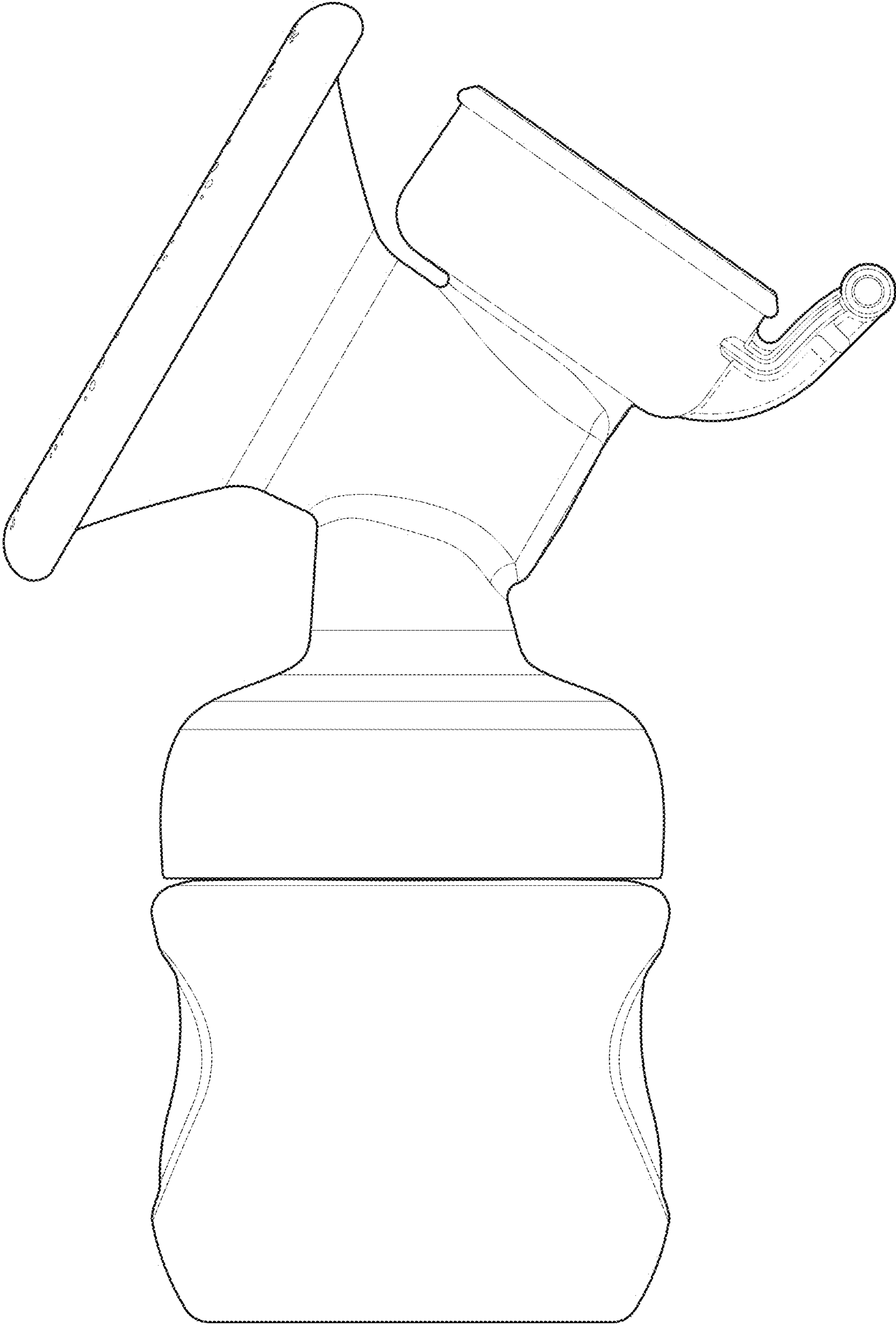


FIG. 12

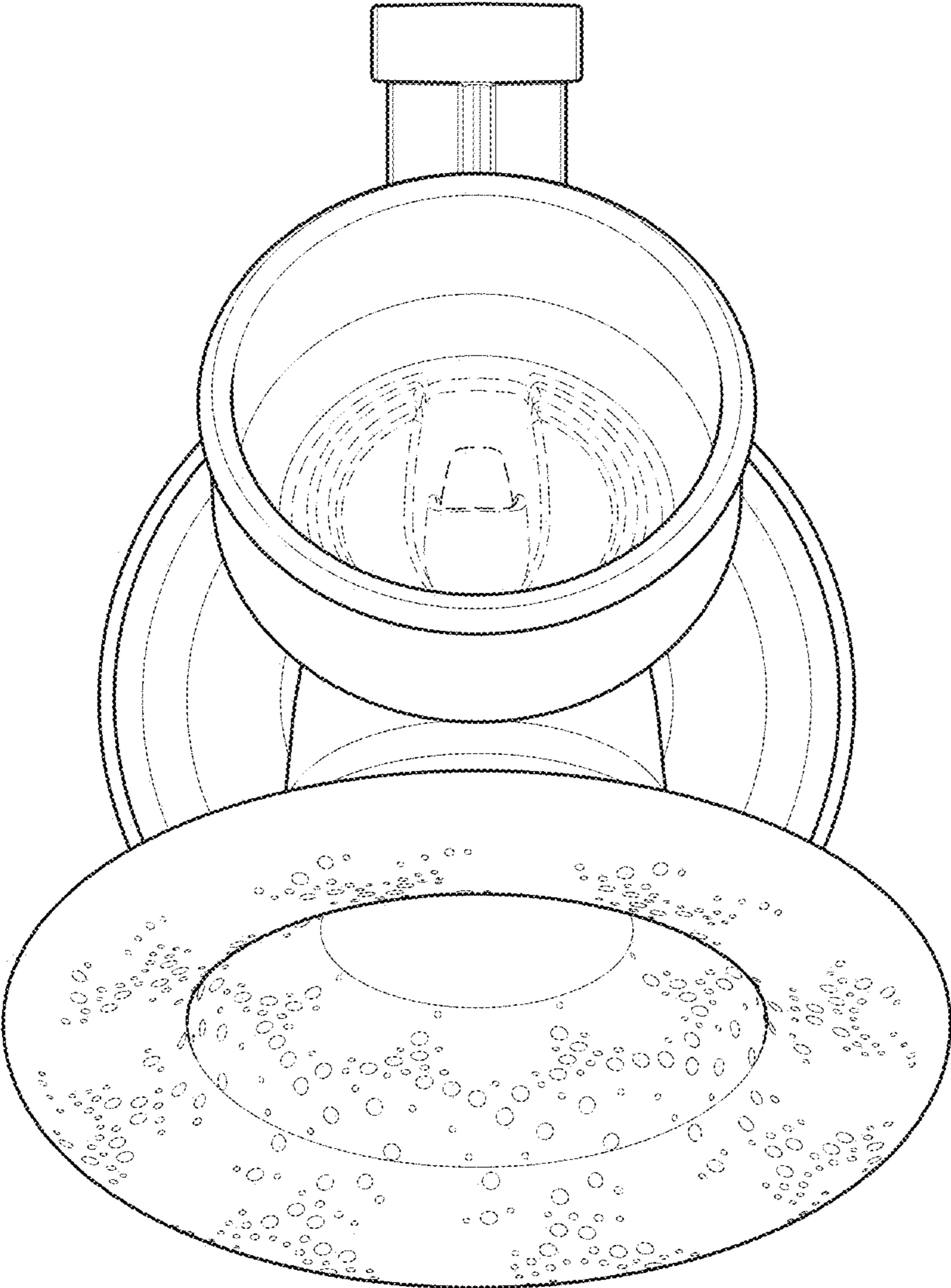


FIG. 13

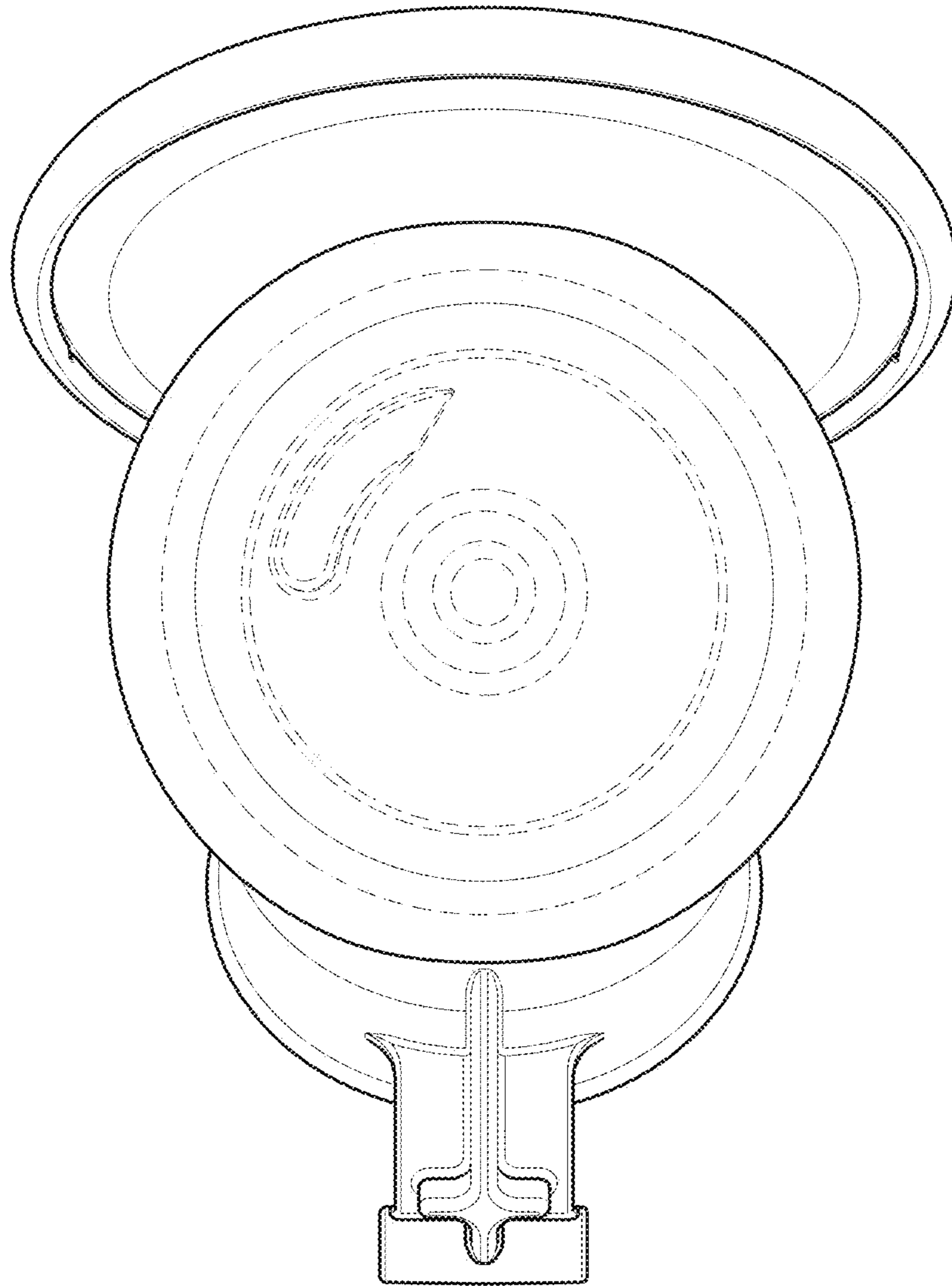


FIG. 14