



US00D968584S

(12) **United States Design Patent** (10) **Patent No.:** **US D968,584 S**
Neal (45) **Date of Patent:** **** Nov. 1, 2022**

(54) **ASH COLLECTOR FOR OUTDOOR FIRE PIT**

D949,302 S * 4/2022 Quigley A47J 37/00
D23/332

(71) Applicant: **Hanie Group LLC**, Portland, OR (US)

2003/0029443 A1 2/2003 Davis et al.
2019/0277506 A1* 9/2019 Hackley A47F 9/00

(72) Inventor: **Ryan Neal**, Portland, OR (US)

OTHER PUBLICATIONS

(73) Assignee: **HANIE GROUP LLC**, Portland, OR (US)

“Cascade Slate Top 34 in. Wx22.5 in. H Square Steel Wood Black Fire Pit”, https://www.homedepot.com/p/Pleasant-Hearth-Cascade-Slate-Top-34-in-Wx22-5-in-H-Square-Steel-Wood-Black-Fire-Pit-OFW732S/315963230?MERCHANT=REC-_pip_alternatives-_314005830-_315963230_-N&#overlay, Earliest Review May 20, 2021, (Year: 2021).*

(**) Term: **15 Years**

(Continued)

(21) Appl. No.: **29/725,374**

(22) Filed: **Feb. 25, 2020**

(51) **LOC (13) Cl.** **07-08**

Primary Examiner — Amy C Wierenga

(52) **U.S. Cl.**

Assistant Examiner — Andrea Marie McKay

USPC **D23/403**

(74) *Attorney, Agent, or Firm* — McClure, Qualey & Rodack, LLP

(58) **Field of Classification Search**

USPC D23/335, 336, 339, 347, 348, 343, 403,
D23/420, 344, 332, 341, 386, 410;
D7/332, 402, 407, 409, 417

(57) **CLAIM**

The ornamental design for an ash collector for outdoor fire pit, as shown and described.

CPC F24B 1/181; F24B 1/1808; F24B 13/008;
F24B 13/006; F24B 13/04; F24B 15/007;
F24B 15/04; F24B 15/00; A47J 37/108;
A47J 37/0731; A47J 37/0704; A47J

DESCRIPTION

37/0786; A47J 37/101; A47J 37/0713;
A47J 37/041; F24C 15/007

FIG. 1 is a top perspective view of an ash collector for outdoor fire pit;

See application file for complete search history.

FIG. 2 is a bottom perspective thereof;

(56) **References Cited**

U.S. PATENT DOCUMENTS

- D455,206 S * 4/2002 Davis D7/346
- D765,231 S * 8/2016 Horsfield D23/343
- D774,172 S * 12/2016 Zemel D23/343
- D780,896 S * 3/2017 Weng D23/332
- D792,567 S * 7/2017 Zemel D23/343
- D844,125 S * 3/2019 Horsfield D23/343
- D896,358 S * 9/2020 Xu D23/332
- 11,015,818 B1 * 5/2021 Ritchie A47J 37/0704
- D925,712 S * 7/2021 Yan D23/339
- D932,228 S * 10/2021 Liu D23/343

FIG. 3 is a front view thereof, with a back view being identical thereto;

FIG. 4 is a side view thereof, with a left side view being identical thereto;

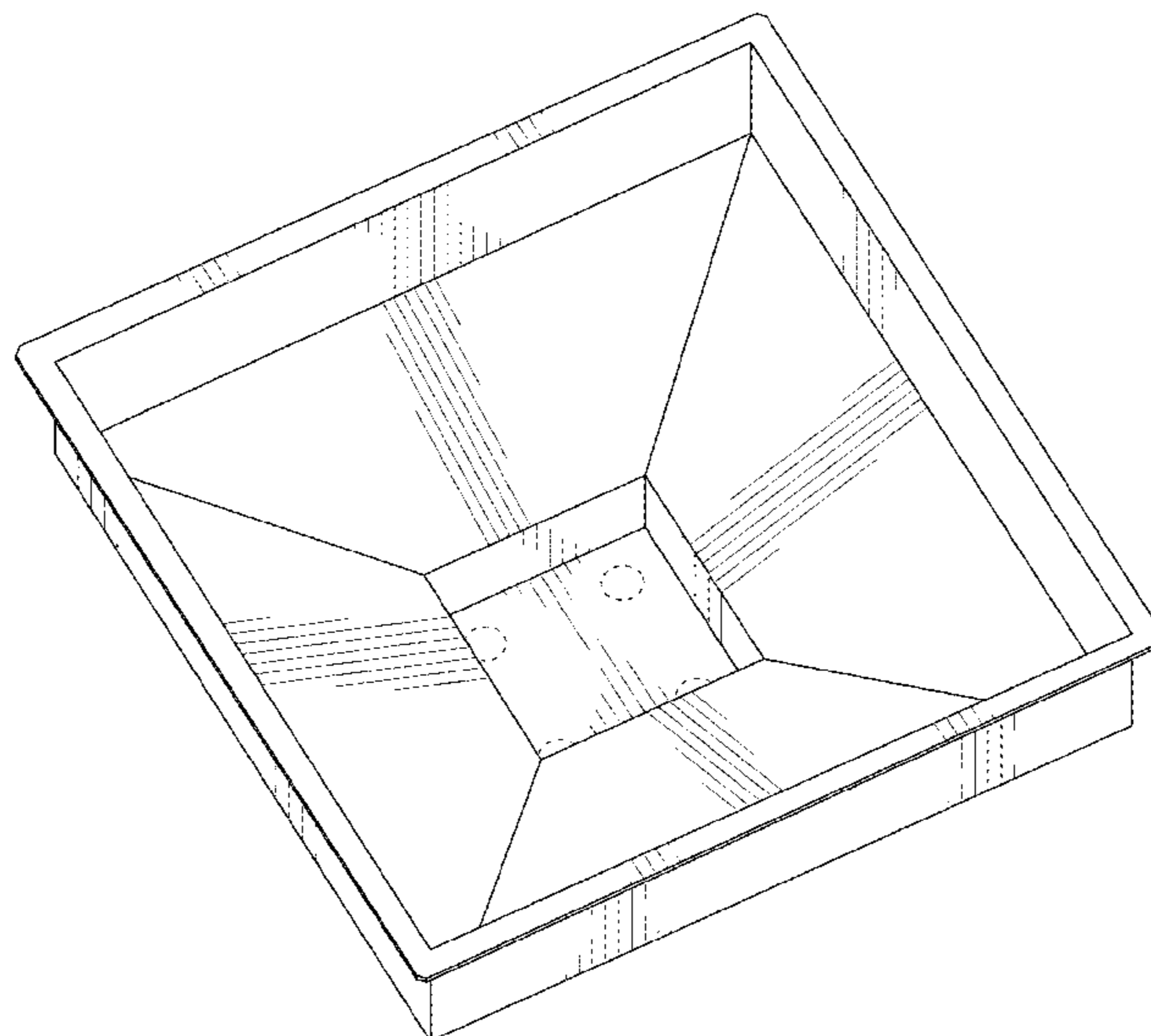
FIG. 5 is a top view thereof;

FIG. 6 is a bottom view thereof; and,

FIG. 7 is another top perspective view of the ash collector for outdoor fire pit shown in its environment.

The broken lines shown in the drawings depict portions of the ash collector for outdoor fire pit and environment that form no part of the claimed design.

1 Claim, 7 Drawing Sheets



(56)

References Cited

OTHER PUBLICATIONS

Manual, "Cascade Slate Top 34 in. W×22.5 in. H Square Steel Wood Black Fire Pit", Revised date: Jul. 2, 2020. "<https://images.thdstatic.com/catalog/pdfImages/53/539b9afd-937f-4304-b090-c48152c2d63f.pdf>", accessed on the internet Jun. 14, 2022. (Year: 2020).*

"32 in. W×18 in. H Square Steel Outdoor Patio Wood Burning Fire Pit Table in Black with Poker and Water Resistant Cover", https://www.homedepot.com/p/Outsunny-32-in-W-x-18-in-H-Square-Steel-Outdoor-Patio-Wood-Burning-Fire-Pit-Table-in-Black-with-Poker-and-Water-Resistant-Cover-842-073/313812426?MERCH=REC-_sp-_pip_sponsored-_4-_n/a-_HDProdPage-_n/a-_n/a-_n/a&ITC=AUC-101706-23-12030 Apr. 18, 2018, accessed on the internet Jun. 14, 2022. (Year: 2018).*

* cited by examiner

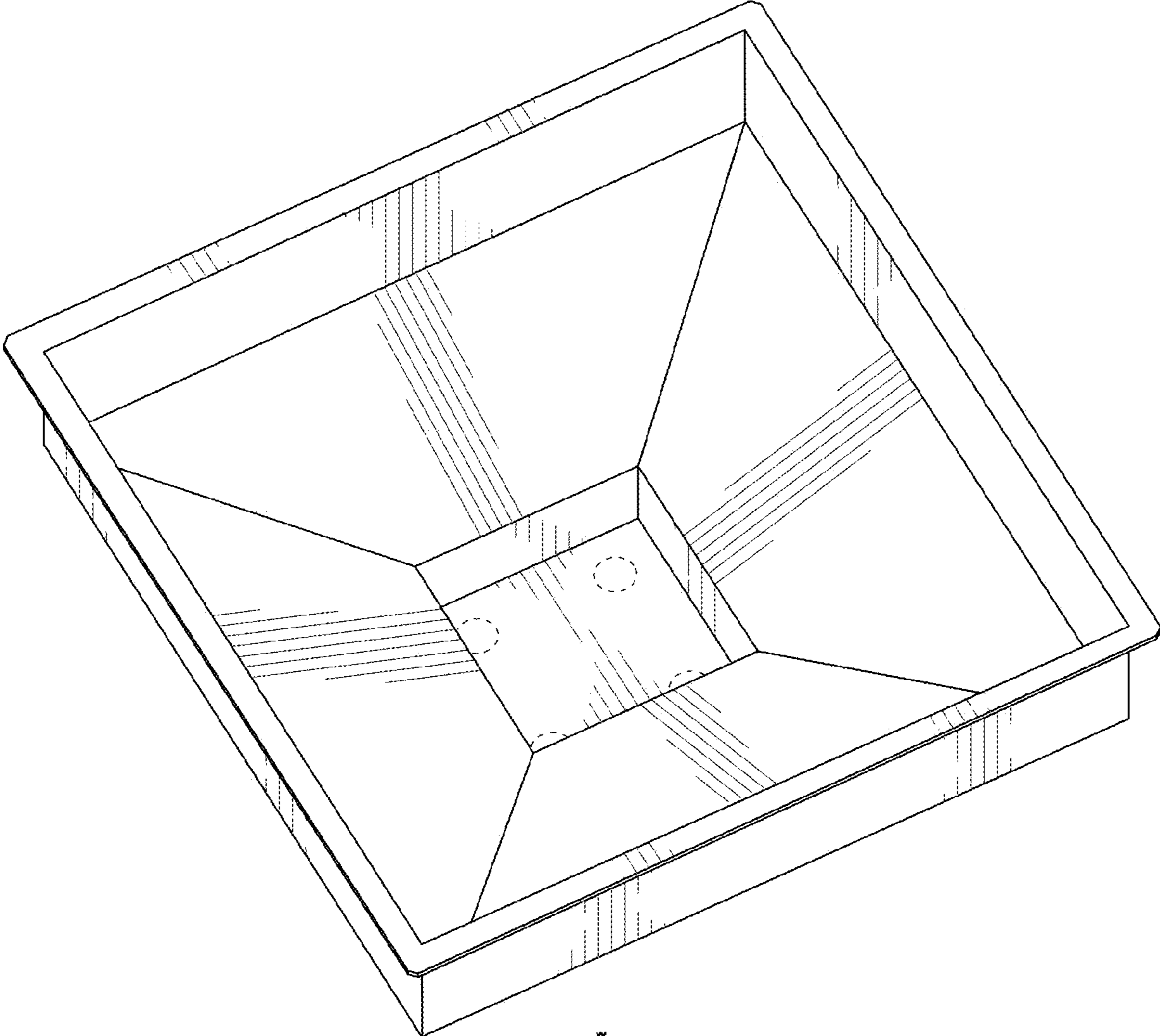


FIG. 1

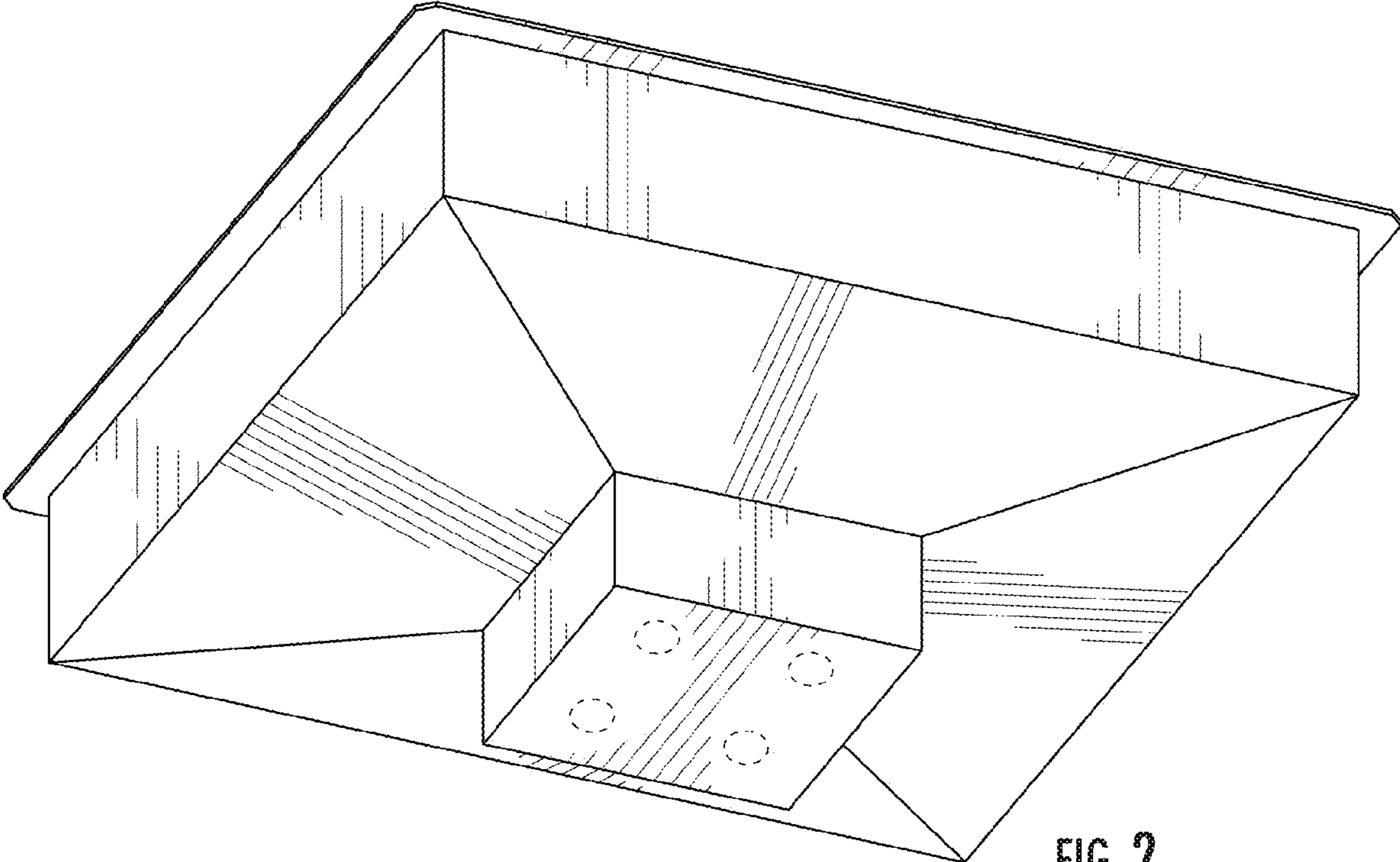


FIG. 2

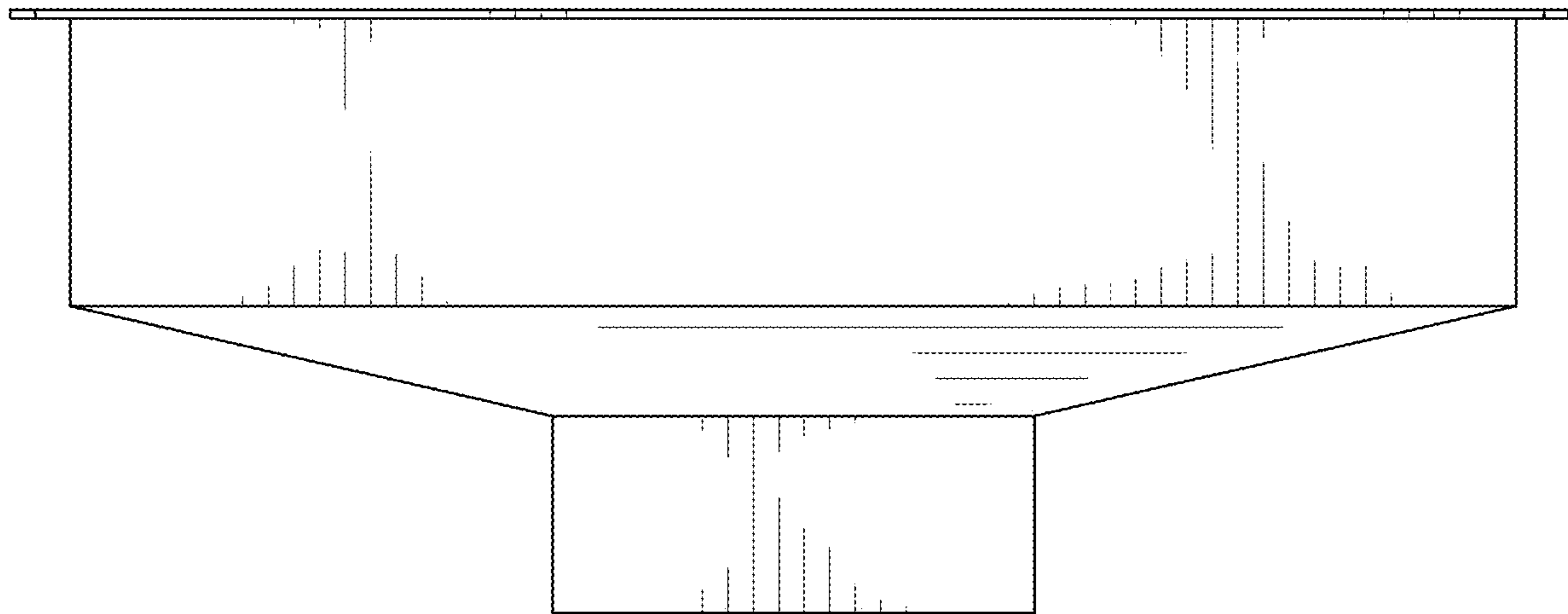


FIG. 3

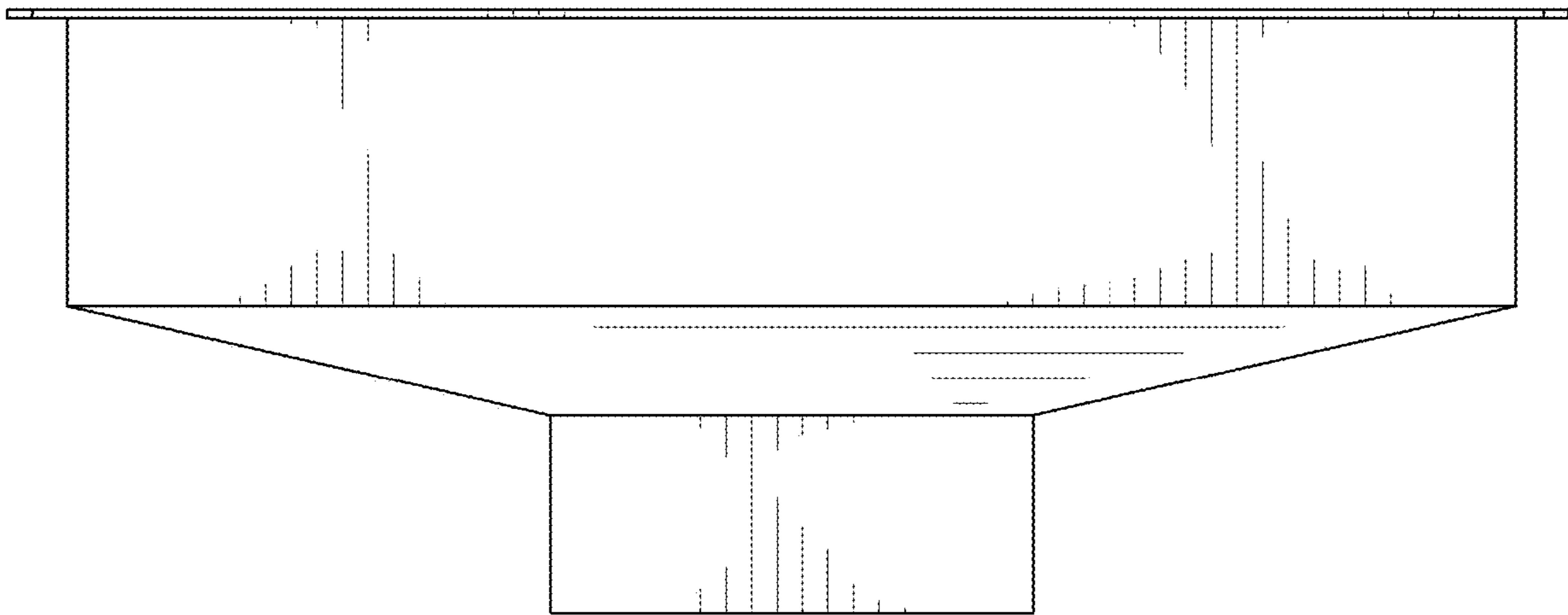


FIG. 4

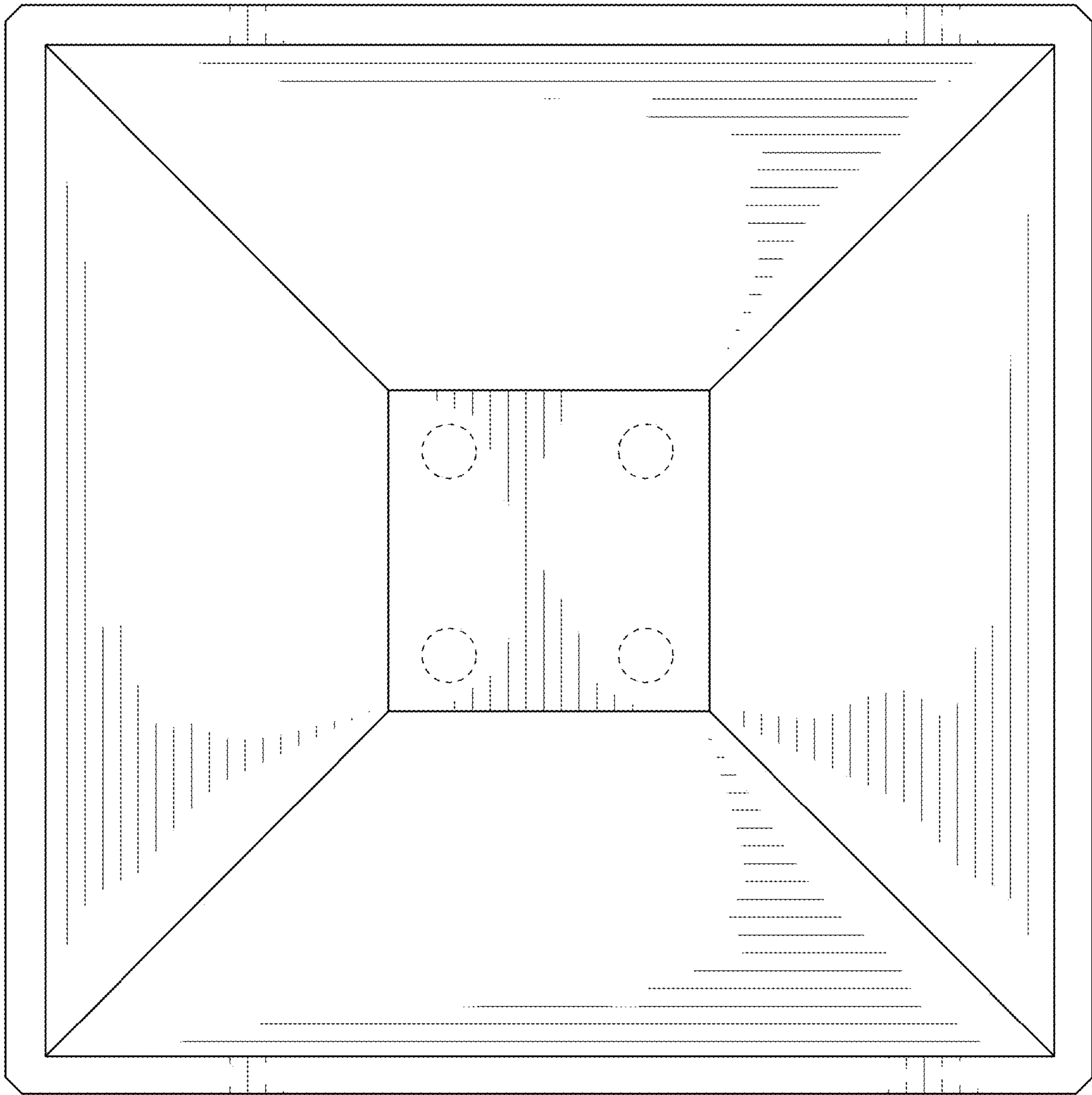


FIG. 5

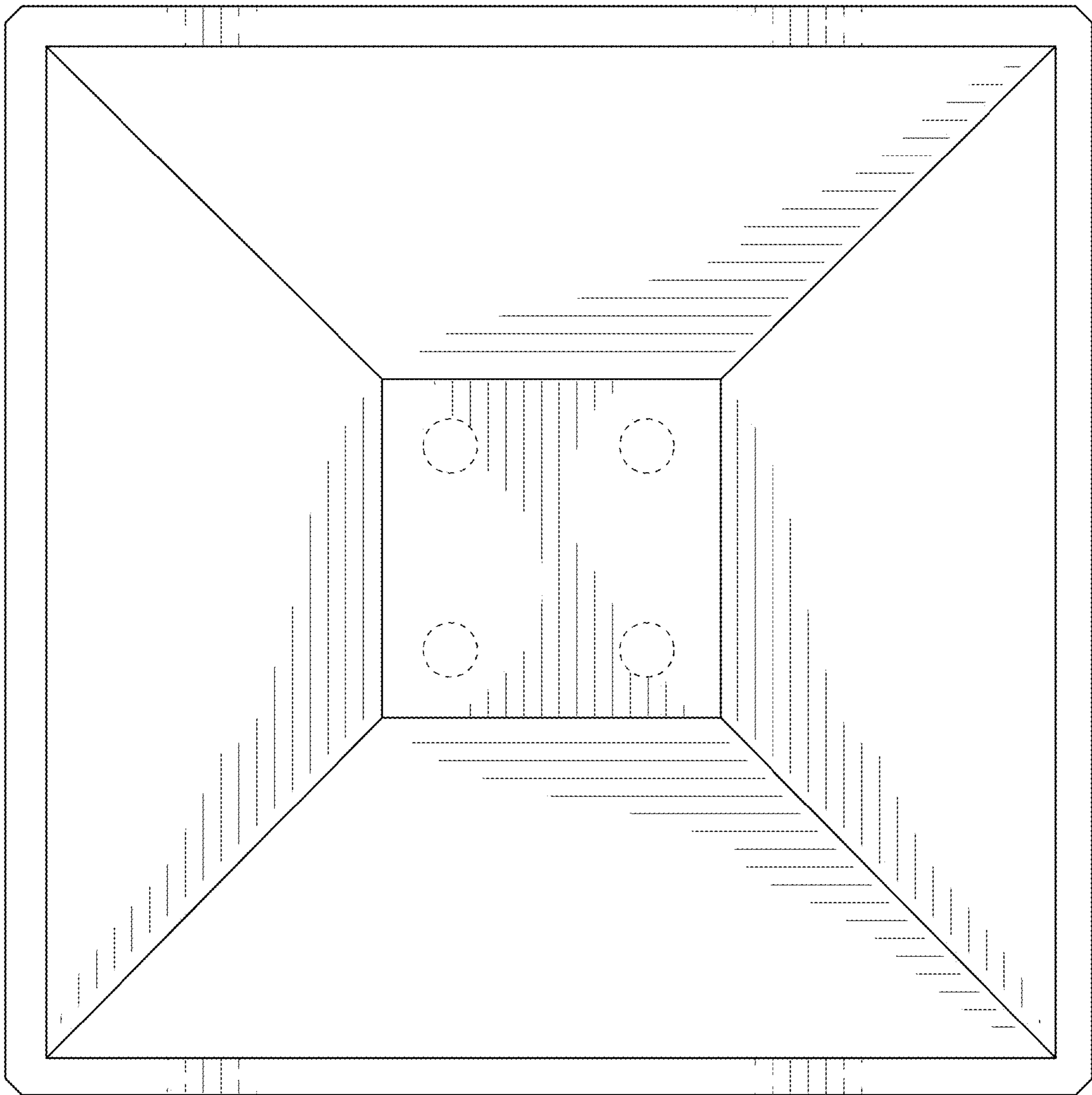


FIG. 6

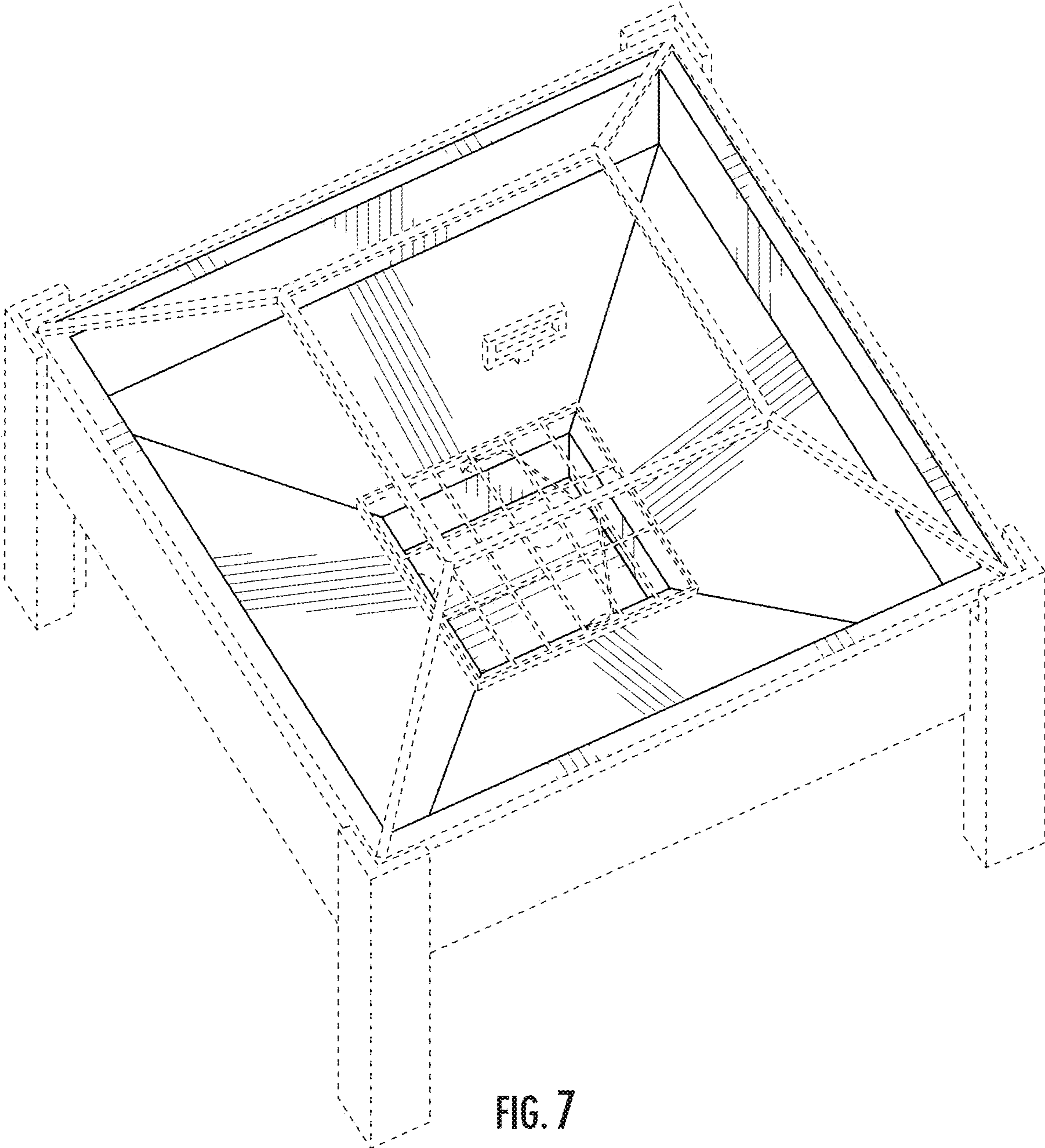


FIG. 7