



US00D968582S

(12) **United States Design Patent** (10) **Patent No.:** **US D968,582 S**
Holmes Bradley et al. (45) **Date of Patent:** **** Nov. 1, 2022**

(54) **CEILING FAN**
(71) Applicant: **Hunter Fan Company**, Memphis, TN (US)
(72) Inventors: **Christine Marie Holmes Bradley**, Memphis, TN (US); **Claire Bernice McRoberts**, La Jolla, CA (US)
(73) Assignee: **Hunter Fan Company**, Memphis, TN (US)
(**) Term: **15 Years**
(21) Appl. No.: **29/723,262**
(22) Filed: **Feb. 5, 2020**
(51) **LOC (13) Cl.** **23-04**
(52) **U.S. Cl.**
USPC **D23/377**
(58) **Field of Classification Search**
USPC D23/370, 377, 385, 411, 413; D26/59
CPC .. F04D 25/088; F04D 29/005; F04D 29/4226;
F21V 33/0096; F21V 21/03; F21V 21/02;
F21V 3/02
See application file for complete search history.

(56) **References Cited**
U.S. PATENT DOCUMENTS
D483,847 S 12/2003 Tai
D609,324 S 2/2010 Lee
D627,874 S 11/2010 Pan
D715,917 S 10/2014 Hadalgo
D721,429 S 1/2015 Busta
D742,500 S 11/2015 Pan
D762,296 S 7/2016 Badarello et al.
D770,027 S 10/2016 Noble et al.
D771,794 S * 11/2016 Wang D23/411
D799,660 S * 10/2017 Jones D23/377
D799,682 S 10/2017 Wang
D800,289 S * 10/2017 Guthrie D23/377
D804,629 S * 12/2017 McRoberts D23/377
D804,639 S 12/2017 Guthrie

D805,174 S * 12/2017 Guthrie D23/377
D807,492 S 1/2018 Hadalgo
D810,917 S * 2/2018 Holmes D23/377
D811,577 S 2/2018 Yang
D824,558 S * 7/2018 Guthrie D26/59
D835,251 S 12/2018 Baek et al.
(Continued)

OTHER PUBLICATIONS

<https://www.minkagroup.net/f8471-hbz-aw.html>. Minke Aire 84" 3-Blade LED Ceiling Fan in Heirloom Bronze Finish with Aged Boardwalk Blades and an Etched Lens, Model No. F847L-HBZ/AW, accessed Jan. 9, 2019.

(Continued)

Primary Examiner — Janice Hallmark
(74) *Attorney, Agent, or Firm* — McGarry Bair PC

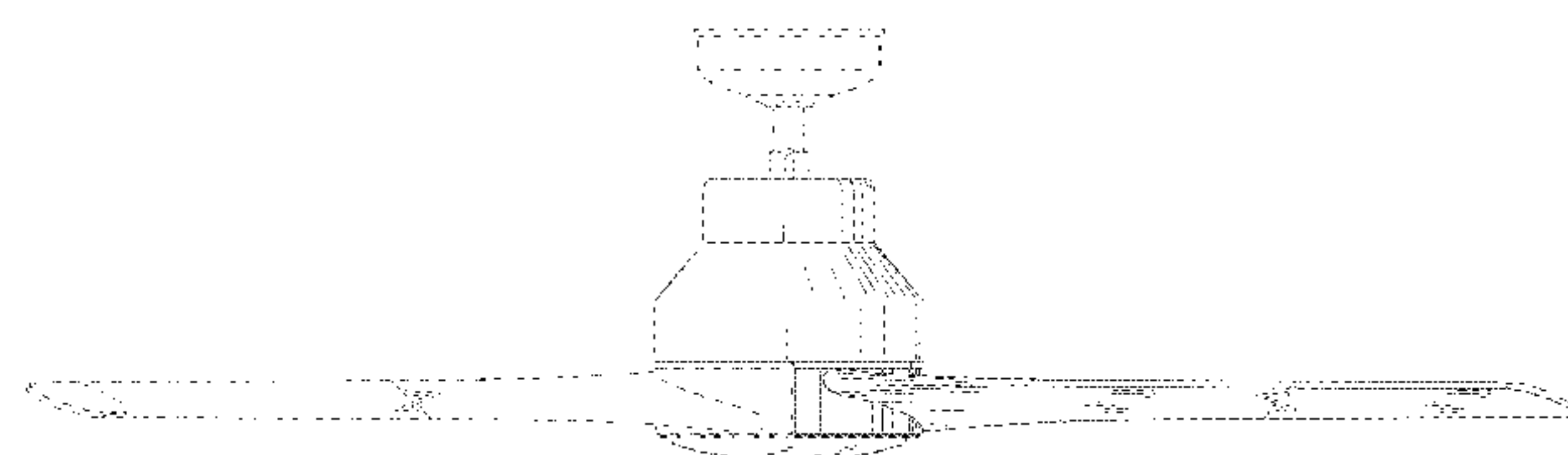
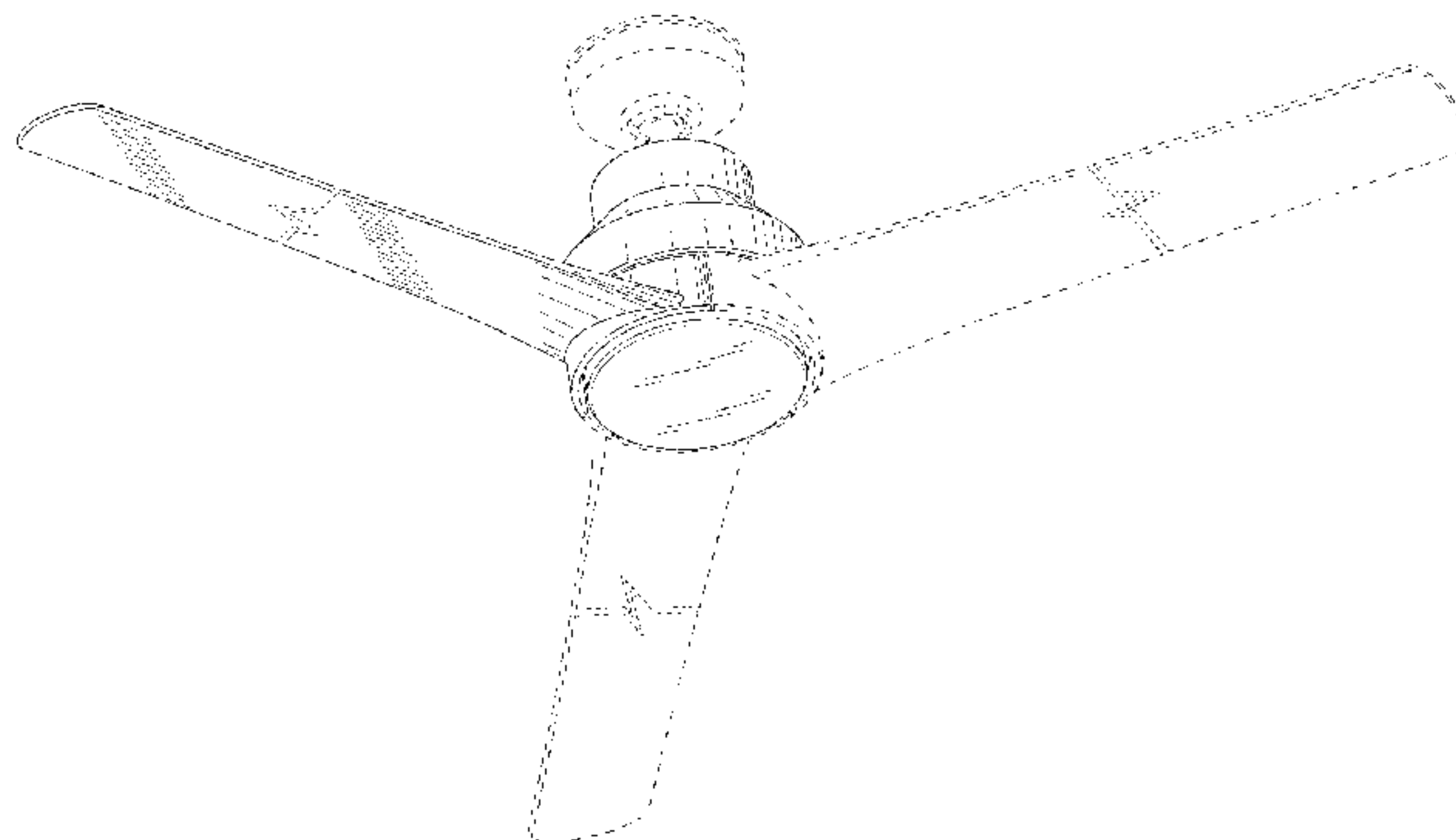
(57) **CLAIM**

The ornamental design for a ceiling fan, as shown and described.

DESCRIPTION

FIG. 1 is a top perspective view of a ceiling fan, showing my new design;
FIG. 2 is a bottom perspective view thereof;
FIG. 3 is a top view thereof;
FIG. 4 is a bottom view thereof; and
FIG. 5 is a right side view thereof;
FIG. 6 is a left side view thereof;
FIG. 7 is a rear view thereof; and,
FIG. 8 is a front view thereof.
Portions of the ceiling fan shown in broken lines form no part of the claimed design. Unshaded portions of the ceiling fan adjacent to broken lines form no part of the claimed design. The ceiling fan blades of the ceiling fan show broken jagged break lines that depict a symbolic break in length and form no part of the claimed design.

1 Claim, 8 Drawing Sheets



(56)

References Cited

U.S. PATENT DOCUMENTS

D855,172 S	*	7/2019	Holmes	D23/411
D867,573 S	*	11/2019	Guthrie	D23/411
D876,609 S	*	2/2020	O'Connell	D23/411
D885,551 S	*	5/2020	McRoberts	D23/377
D890,320 S	*	7/2020	Holmes	D23/377
D911,510 S	*	2/2021	Guthrie	D23/377
D917,688 S	*	4/2021	Guthrie	D23/411
D920,499 S	*	5/2021	Holmes	D23/411

OTHER PUBLICATIONS

<https://www.craftmade.com/limerick-lim60bnk>, Craftmade Limerick 52" Ceiling Fan in Brushed Polished Nickel, Model No. LIM60BNK, accessed Jan. 9, 2019.

<https://www.hunterfan.com/ceiling-fans/casablanca-piston-outdoor-with-led-light-52-inch-fam688>, Casablanca Piston 52 Inch Outdoor Ceiling Fan with LED Light, Item No. 59196, accessed Jan. 9, 2019.

<https://www.fanimation.com/products/index.php/spitfire.html>, Fanimation Spitfire Ceiling Fan, 3 Blade design, Model No. MA6721, accessed Jan. 9, 2019.

<https://www.homedepot.com/p/GE-Phantom-54-in-Brushed-Nickel-Indoor-LED-Ceiling-Fan-with-Remote-Control-20338/206087446>, GE Phantom 54 in. Brushed Nickel Indoor LED Ceiling Fan with Remote Control, Model No. 20338, accessed Jan. 9, 2019.

<https://www.craftmade.com/mobi-mob60ch>, Craftmade 60" Mobi Ceiling fan, Model No. MOB60CH, accessed Jan. 9, 2019.

<http://www.kichler.com/products/product/56-inch-ried-fan-ni-300356ni.aspx>, Kichler Reid Collection, 56 Inch Reid Fan in Brushed Nickel Model No. 300356NI accessed Jan. 9, 2019.

<http://www.kichler.com/products/product/65-inch-imari-fan-led-sbk-300365sbk.aspx>, Kichler Imari Collection, 65 Inch Imari Fan LED in Satin Black Powder Coat, Model No. 300365SBK accessed Jan. 9, 2019.

<http://www.kichler.com/products/product/60-inch-jace-fan-led-wn-310360wn.aspx>, Kichler Jace Collection, 60 Inch Jace Fan LED in Walnut Finish, Model No. 310360WN, accessed Jan. 9, 2019.

<https://www.minkagroup.net/f853-bn-dk.html>, Minka Aire Aviation 60" Ceiling Fan in Brushed Nickel Finish with Distressed Koa Blades, Model No. F853-BN/DK, accessed Jan. 9, 2019.

http://www.quoruminternational.com/search_individual_result.asp?current=892648&page=1, Quorum International Kress 6" Ceiling Fan, Item No. 74603-86, accessed Jan. 9, 2019.

<https://www.minkagroup.net/f838l-dk.html>, Minka Aire 60" 3-Blade LED Ceiling Fan in Distressed Koa Finish with Distressed Koa Blades with Etched Lens, Model No. F838L-DK, accessed Jan. 9, 2019.

<http://www.montecarlofans.com/57242/72in-Minimalist-Max-Aged-Pewter-3MNL72AGPD.html>, Monte Carlo 72" Minimalist Max Aged Pewter, Model No. 3MNL72AGPD-V1, accessed Jan. 9, 2019.

<https://www.haikuhome.com/ceiling-fans>, Big Ass Fan, Haiku Ceiling Fan, accessed Jan. 9, 2019.

<https://www.fanimation.com/products/index.php/fans/prop.html>, Fanimation 60" Prop 3-Blade Brushed Nickel Indoor Downrod Mount Ceiling Fan and Remote, Model No. LP8323, accessed Jan. 9, 2019.

<http://www.montecarlofans.com/51315/60-Maverick-Brushed-Steel-with-Dark-Walnut-Blades-3MAVR60BS.html>, Monte Carlo Maverick Collection, 60" Maverick Brushed Steel with Dark Walnut Blades, Model No. 3MAVR60BS, accessed Jan. 9, 2019.

<https://www.hunterfan.com/ceiling-fans/casablanca-axial-with-led-light-52-inch-fam813>, Casablanca 52 Inch Axial Ceiling Fan with LED light, Model No. 59341, accessed Jan. 9, 2019.

<https://www.craftmade.com/freestyle-fre56>, Craftmade Freestyle 56" Ceiling Fan 3-Blades in Brushed Nickel, Model No. FRE56, accessed Jan. 9, 2019.

<https://www.minkagroup.net/f543l-sl.html>, Minka Aire Swept LED 56" Ceiling Fan in Silver Finish, Silver Blades and an Etched Lens, Model No. F543L-SL, accessed Feb. 2, 2020.

* cited by examiner

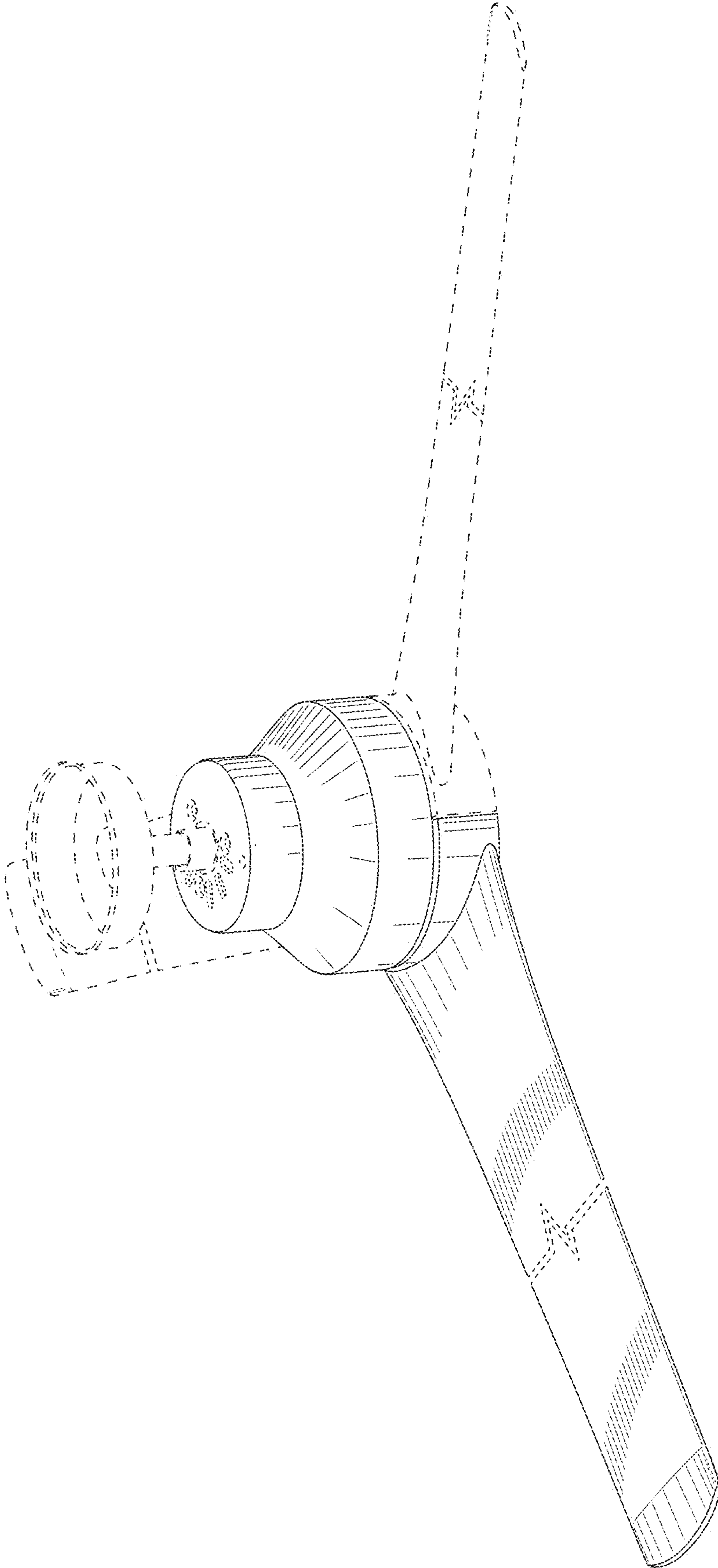


FIG. 1

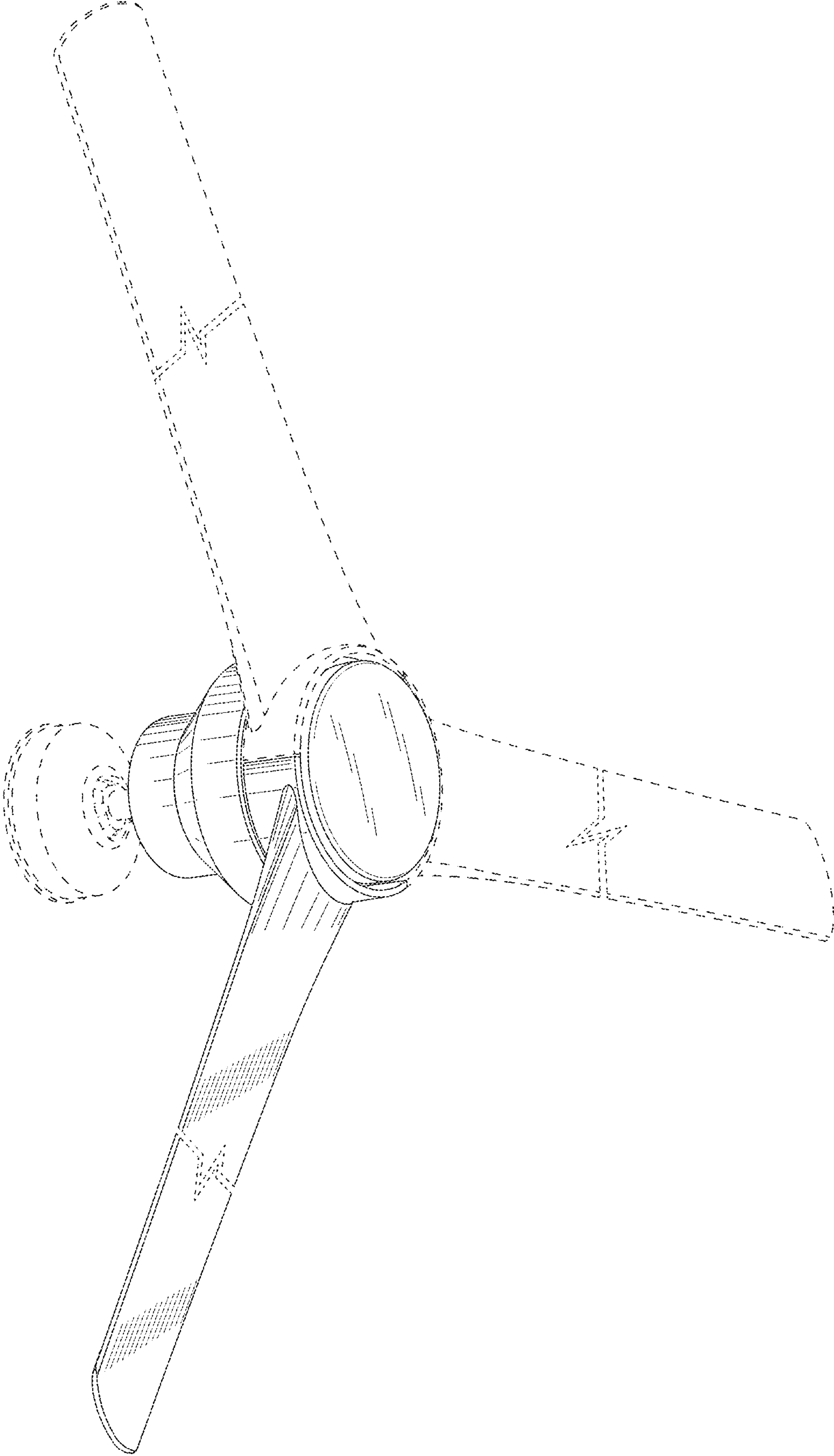


FIG. 2

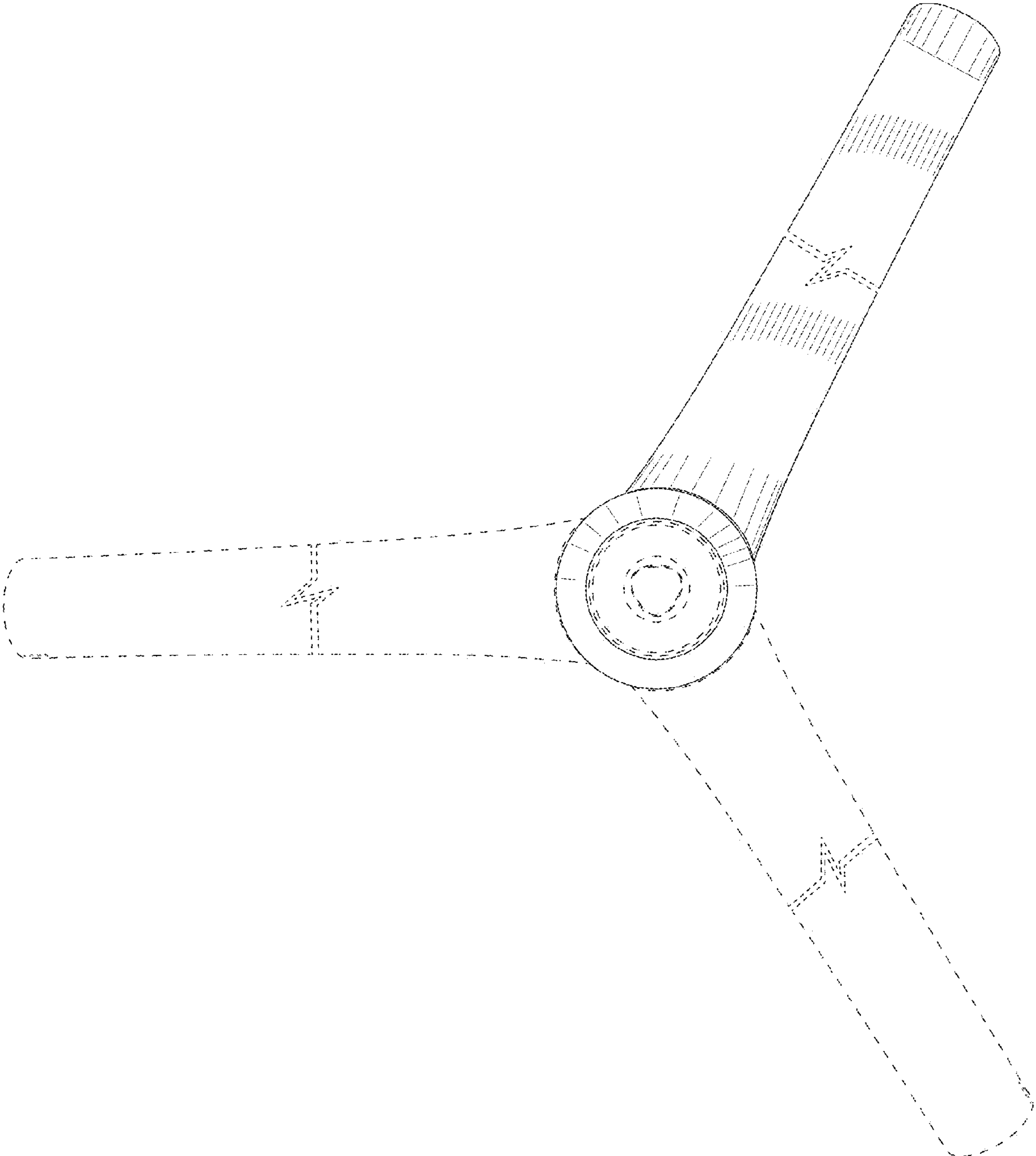


FIG. 3

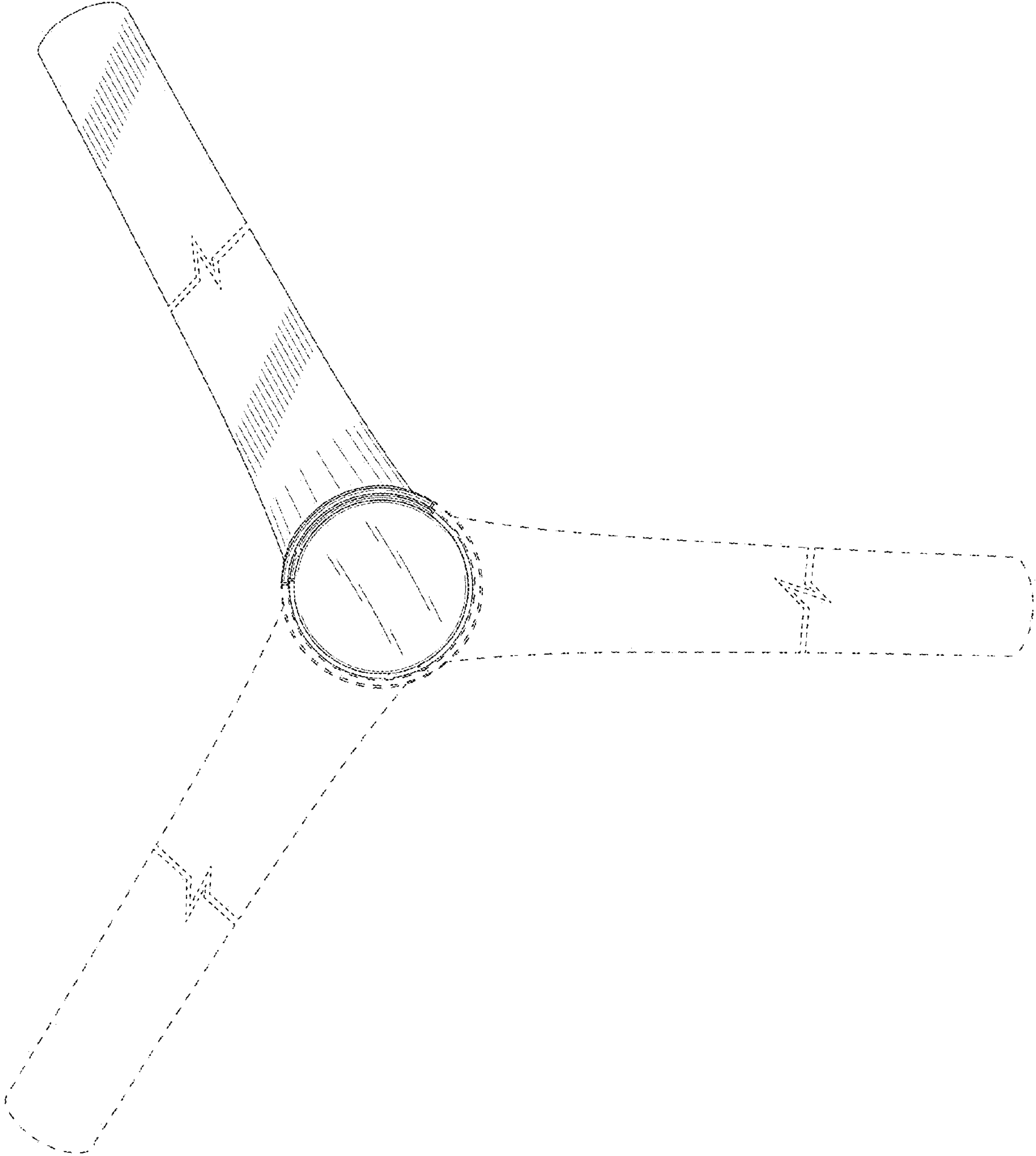


FIG. 4

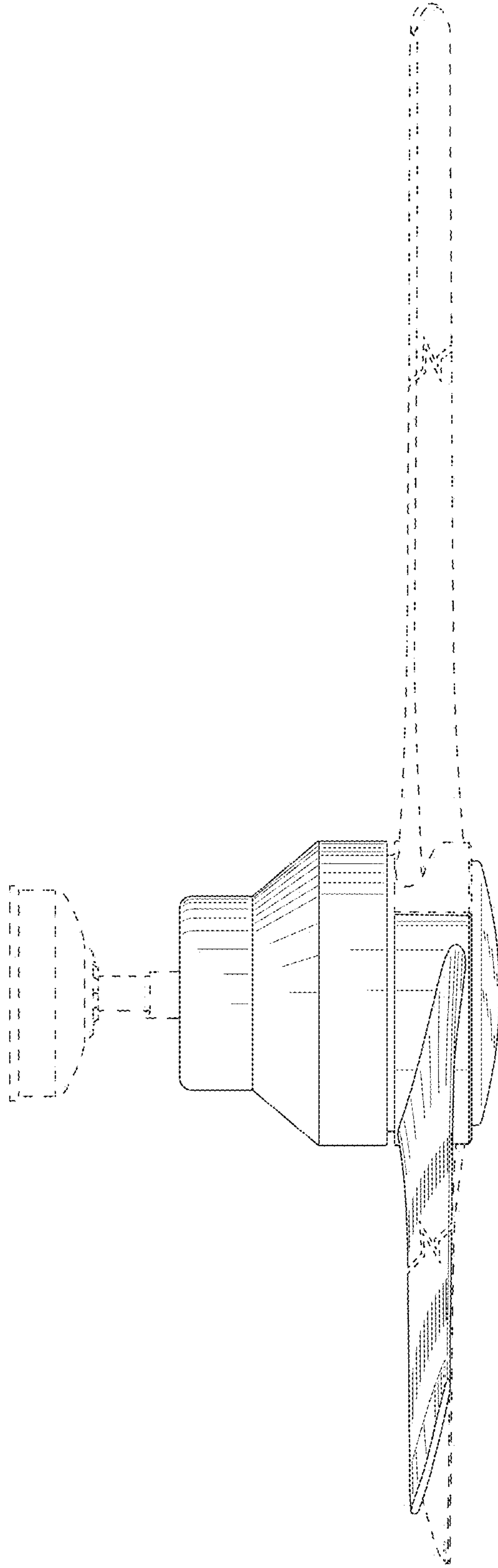


FIG. 5

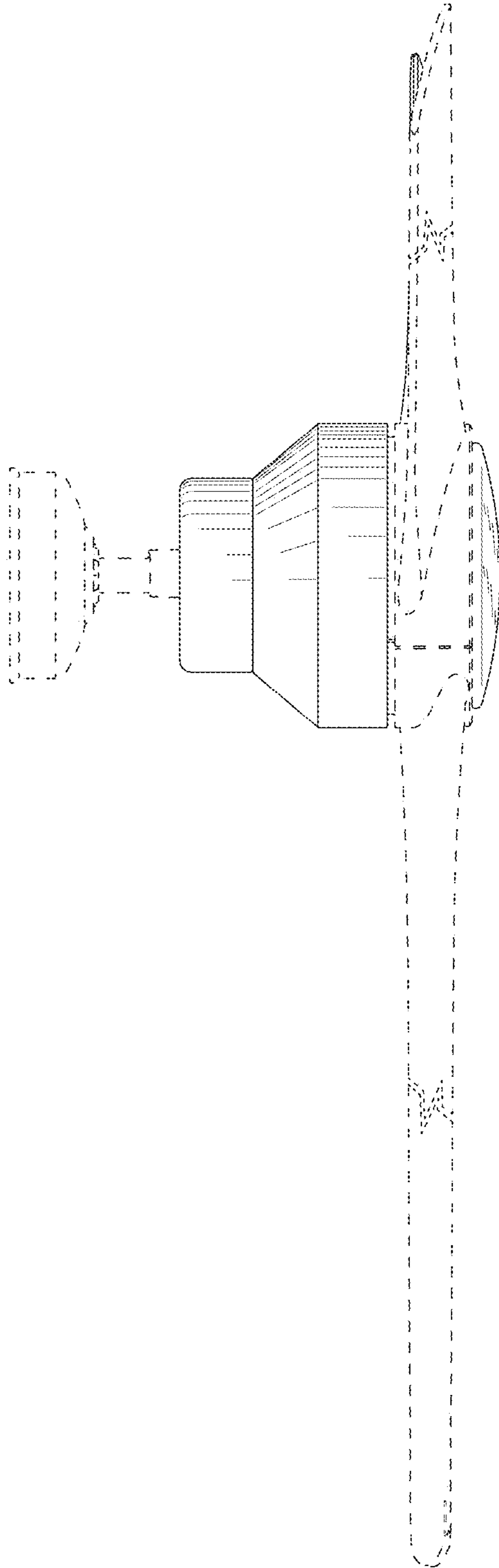


FIG. 6

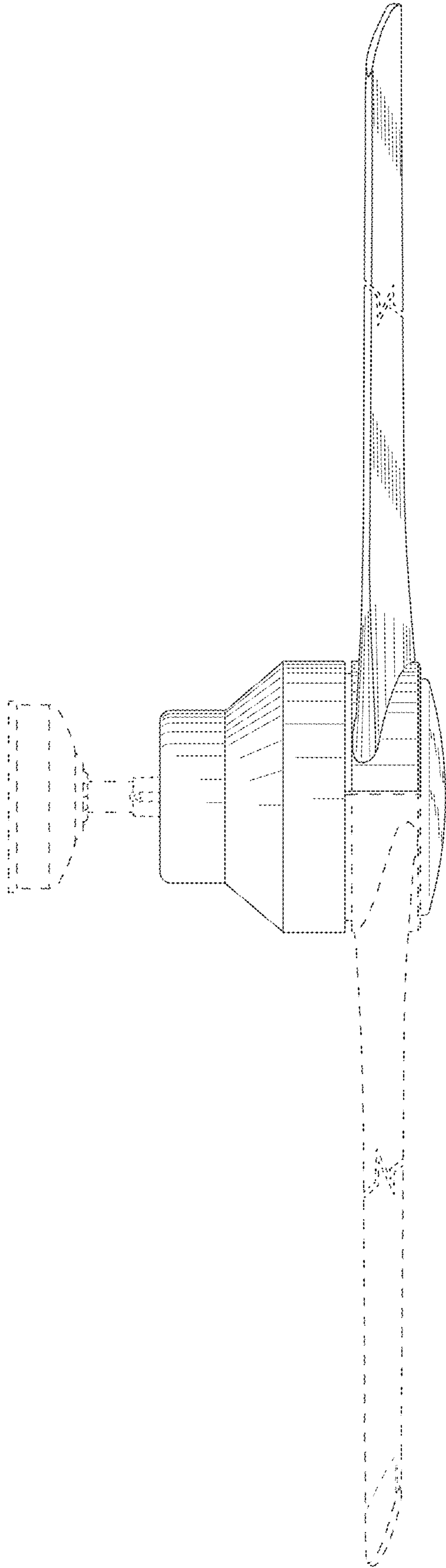


FIG. 7

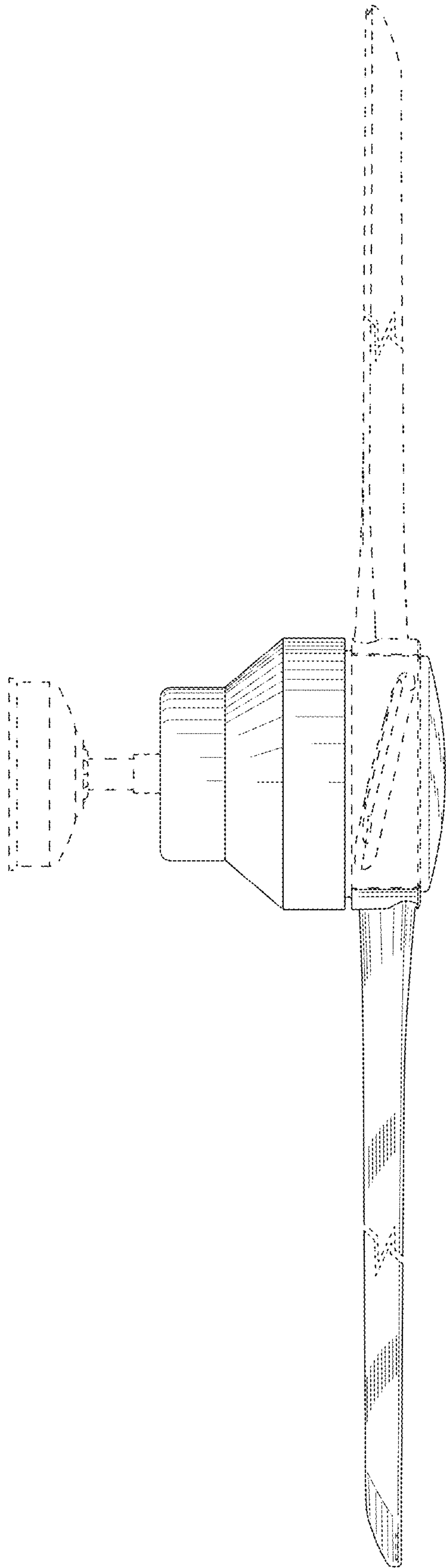


FIG. 8