



US00D968578S

(12) **United States Design Patent** (10) **Patent No.:** **US D968,578 S**
Xia (45) **Date of Patent:** **** Nov. 1, 2022**

(54) **PORTABLE PROPANE FIRE PIT**
(71) Applicant: **Zhejiang Yimo Technology Co., Ltd.**,
Lishui (CN)
(72) Inventor: **Bing Xia**, Yongkang (CN)
(**) Term: **15 Years**

D866,737 S 11/2019 Lyons, Jr.
D911,765 S 3/2021 Jiang et al.
D918,362 S 5/2021 Cleine
2006/0236996 A1* 10/2006 Mosher, II F24B 3/00
126/30
2017/0215642 A1* 8/2017 Jenkins A47J 37/0763
2018/0160849 A1* 6/2018 Hebert, Jr. A47J 37/079
2022/0186935 A1* 6/2022 Wang F24C 3/126

(21) Appl. No.: **29/845,905**
(22) Filed: **Jul. 12, 2022**
(51) **LOC (13) Cl.** **23-03**
(52) **U.S. Cl.**
USPC **D23/339**
(58) **Field of Classification Search**
USPC D23/332, 314, 343, 348, 350, 346, 342,
D23/338, 335, 336, 337, 339, 340;
D7/332-337, 402-405, 352
CPC F24C 1/16; F24C 5/00; F24C 3/14; A47J
33/00; A47J 37/0763; A47J 37/07; F24B
1/18; F24B 1/182; F24B 1/1808; F24B
1/181; F24B 1/195; F24B 1/191
See application file for complete search history.

OTHER PUBLICATIONS

Amazon TLSUNNY 19/24 Portable Propane Fire Pit <https://a.co/d/ixi5PFa> Retrieved on Sep. 12, 2022 (Year: 2022).*

* cited by examiner

Primary Examiner — Ania Aman
(74) *Attorney, Agent, or Firm* — Rumit Ranjit Kanakia

(57) **CLAIM**

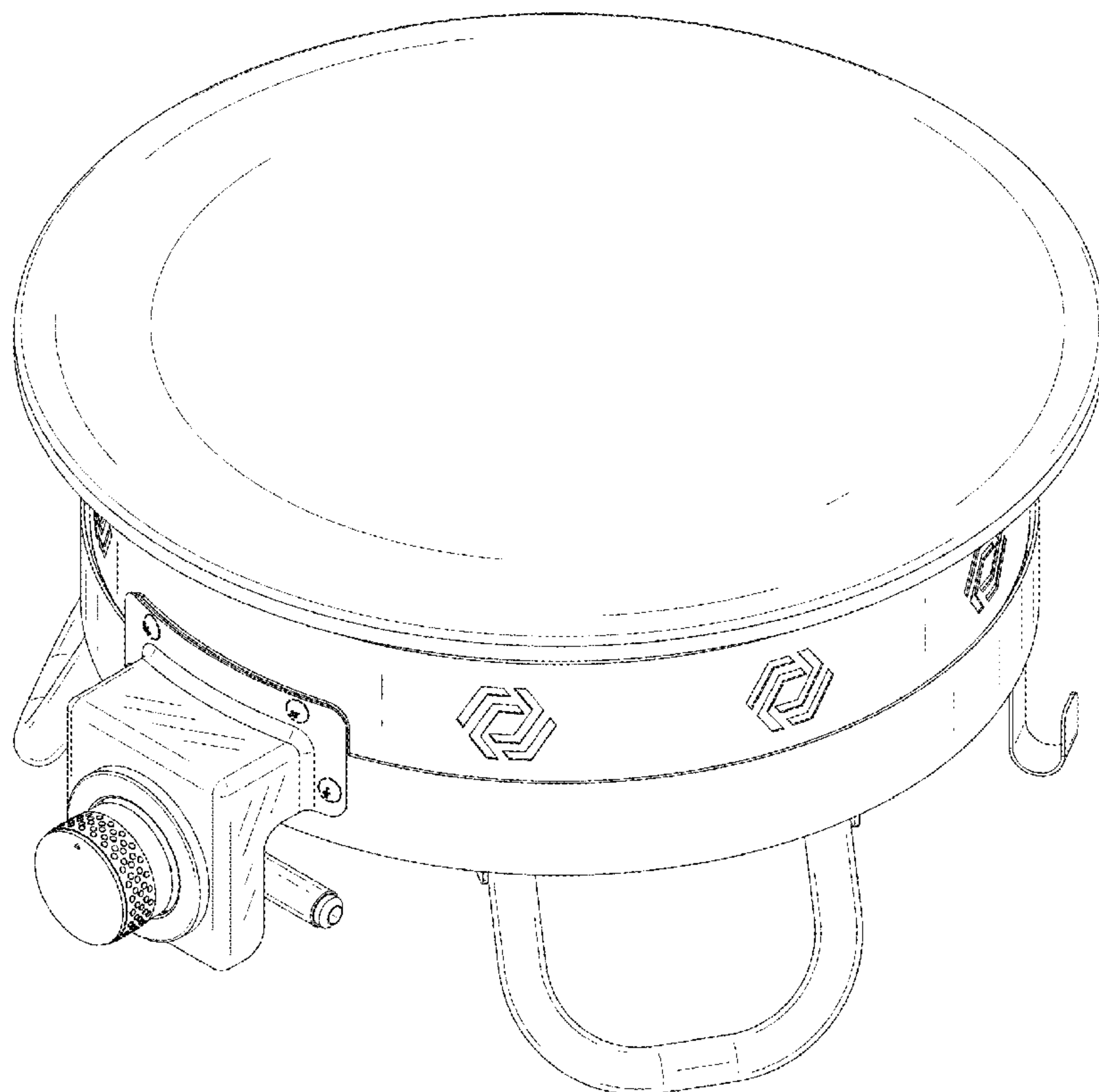
The ornamental design for a portable propane fire pit, as shown and described.

DESCRIPTION

FIG. 1 is a front perspective view of a portable propane fire pit showing my new design;
FIG. 2 is a front view thereof;
FIG. 3 is a rear view thereof;
FIG. 4 is a left side view thereof;
FIG. 5 is a right side view thereof;
FIG. 6 is a top view thereof; and,
FIG. 7 is a bottom view thereof.
Broken lines in the drawings depict portions of the portable propane fire pit that form no part of the claimed design.

(56) **References Cited**
U.S. PATENT DOCUMENTS
D555,774 S * 11/2007 Matthiesen D23/332
D590,202 S 4/2009 Gadgil et al.
D830,761 S 10/2018 Kim
D849,907 S 5/2019 Zhou et al.
D860,421 S * 9/2019 O'Brien Wheeler D23/332

1 Claim, 7 Drawing Sheets



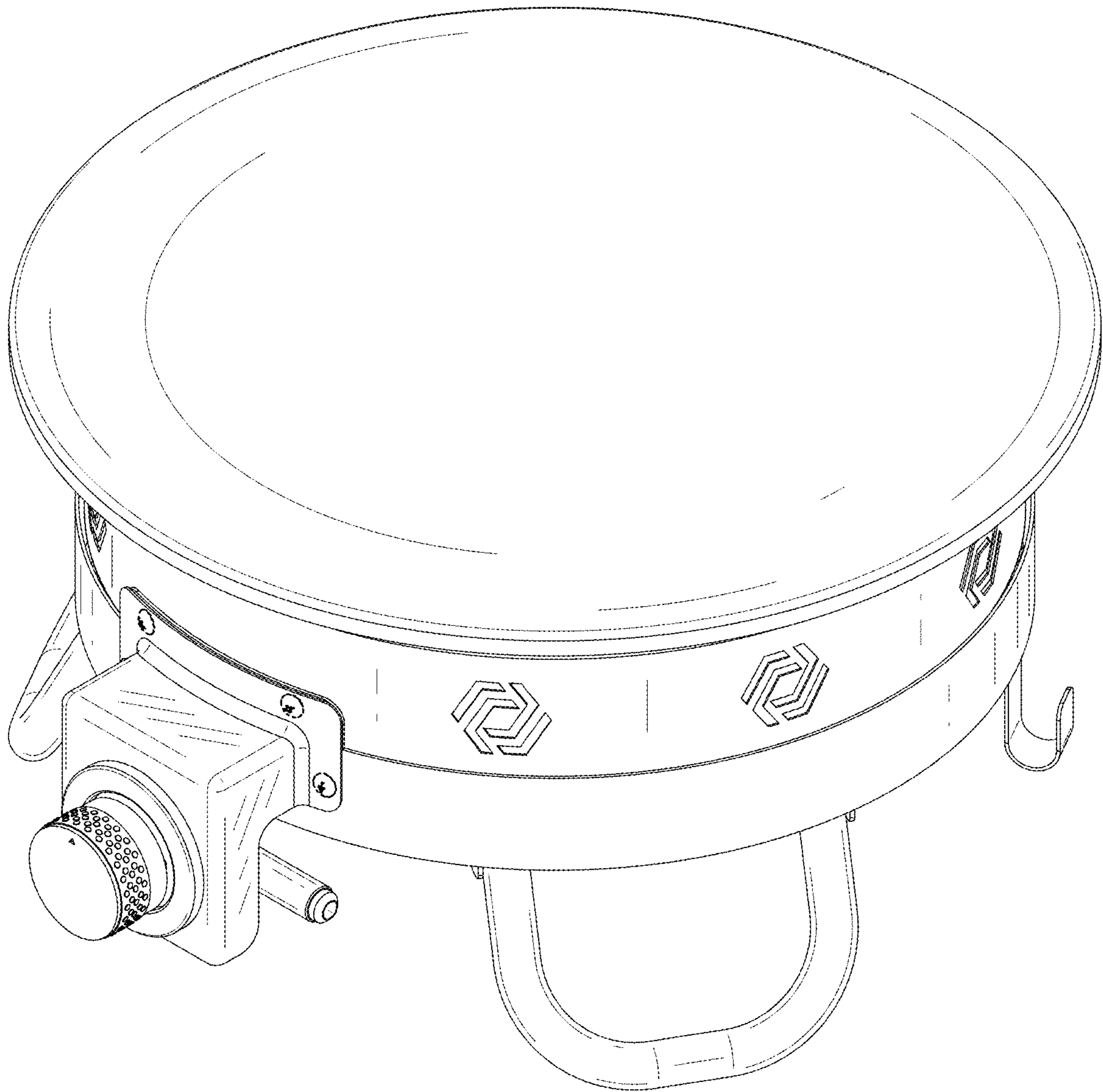


FIG. 1

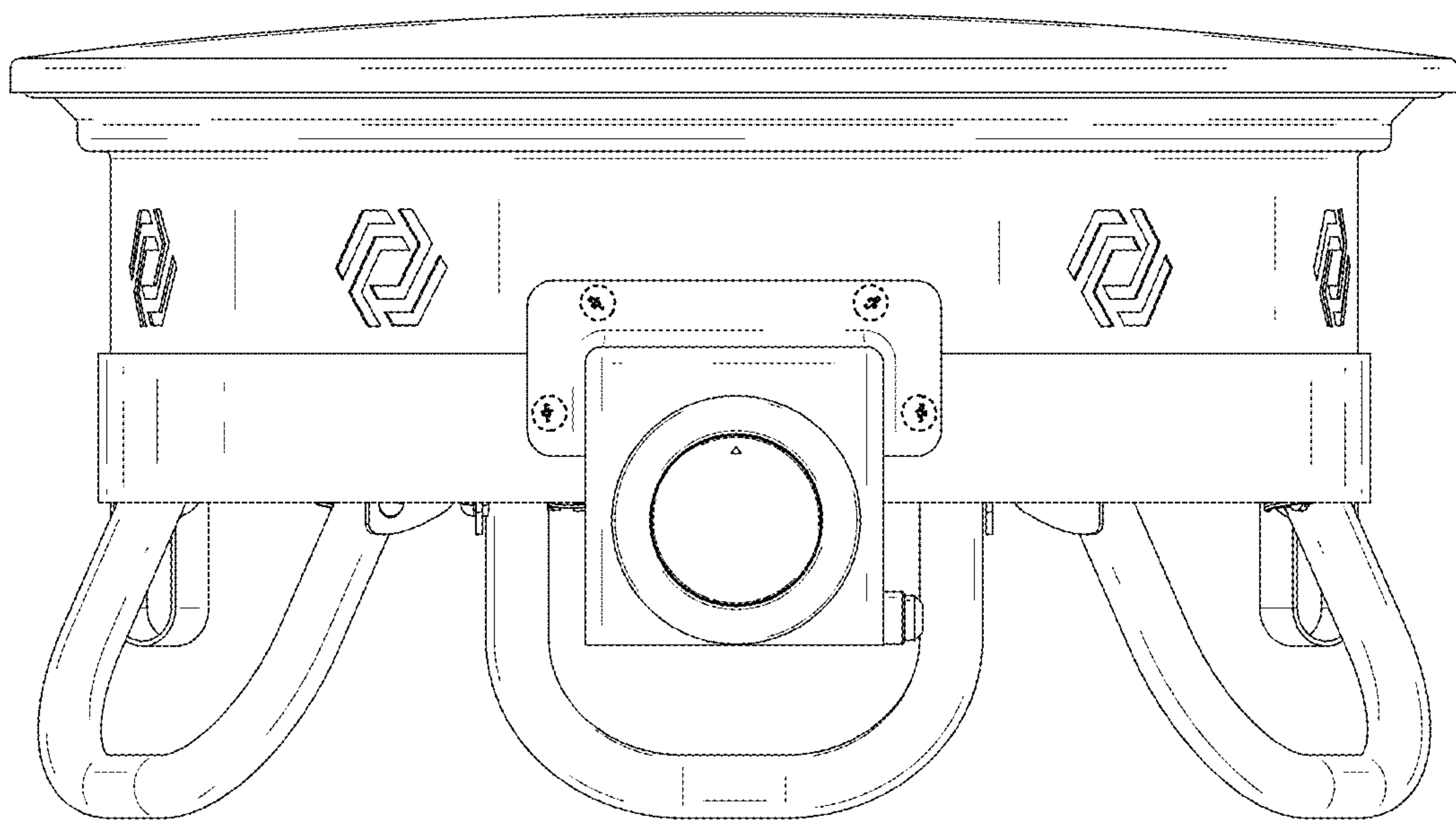


FIG. 2

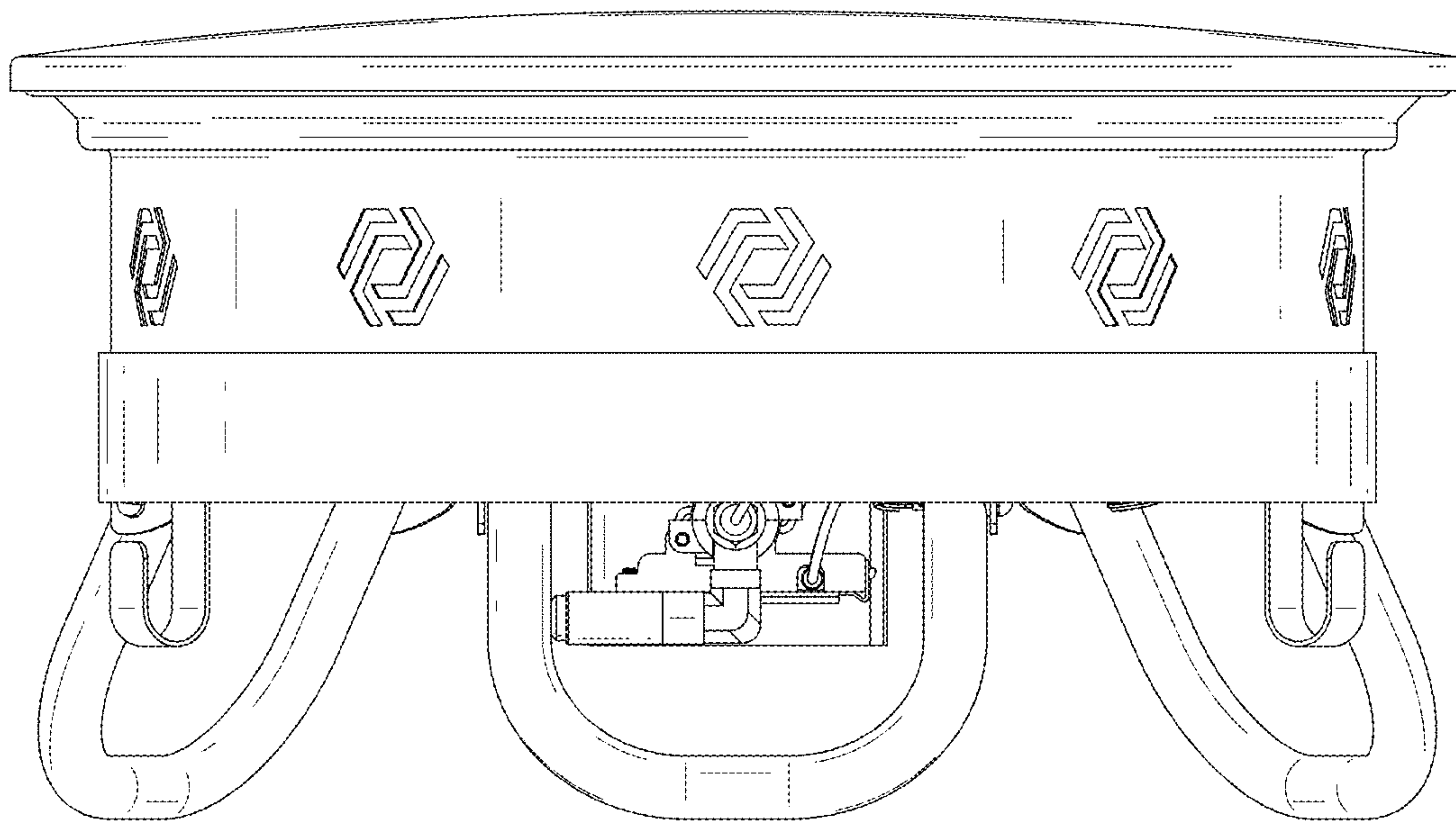


FIG. 3

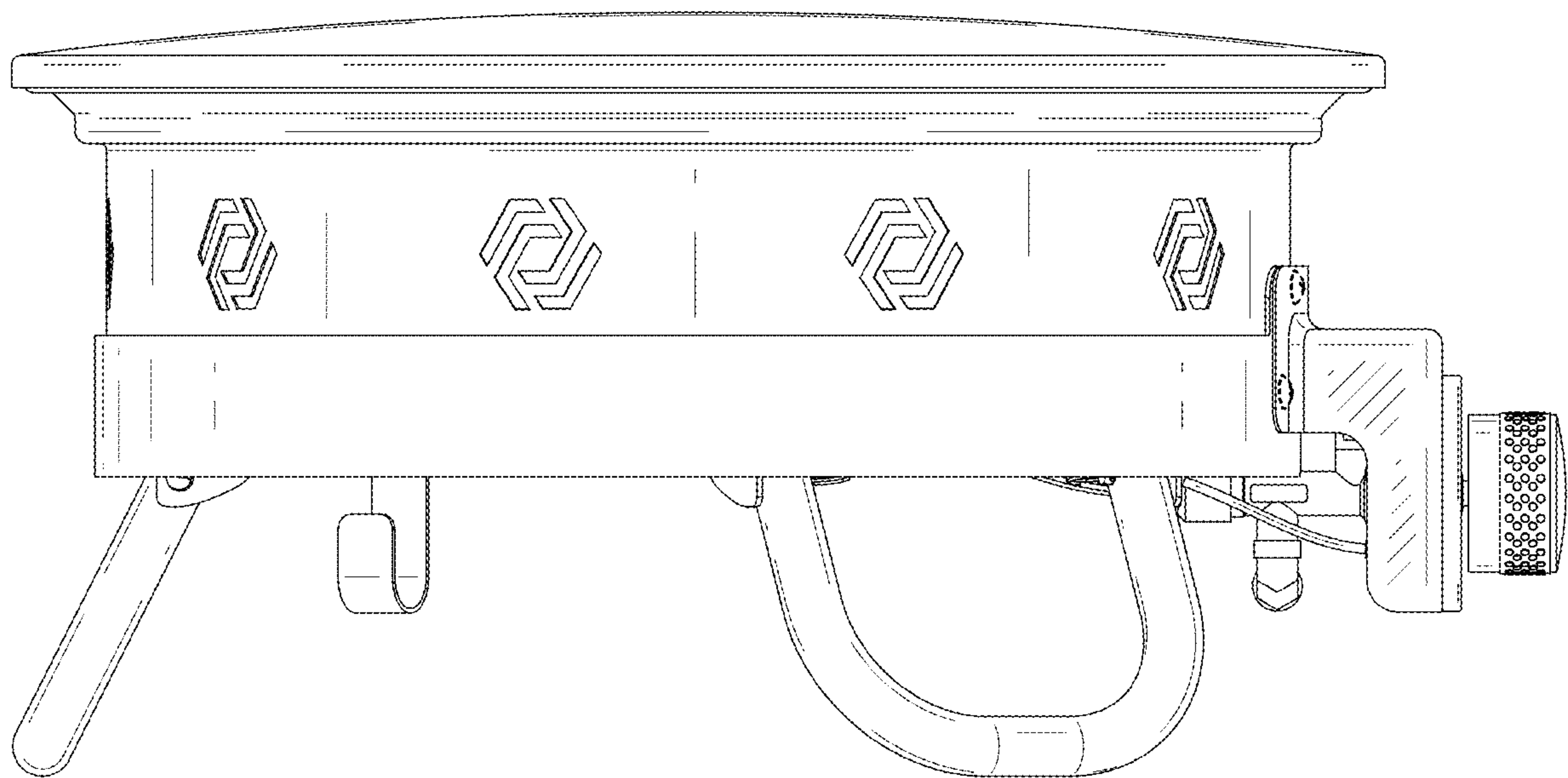


FIG. 4

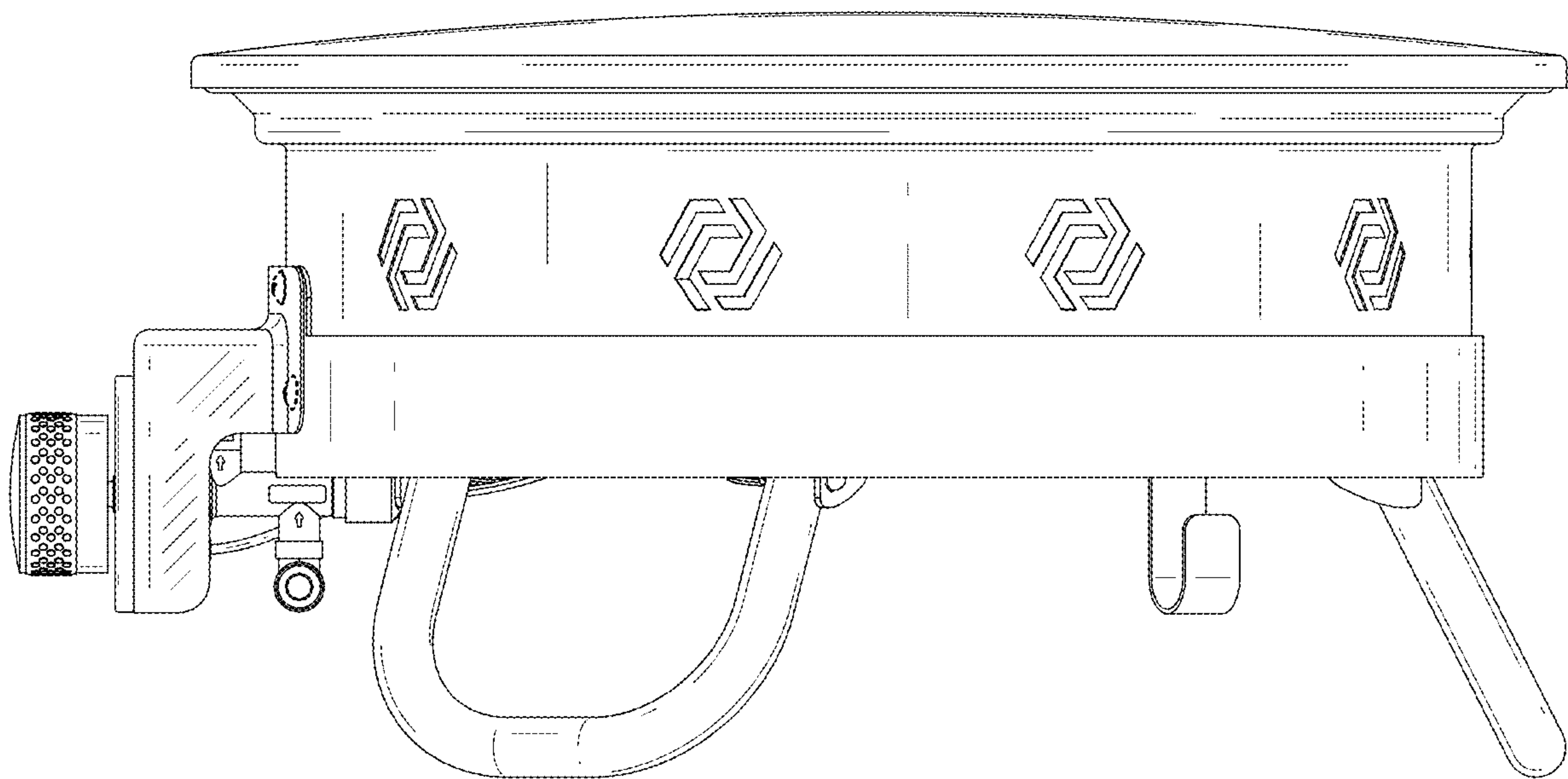


FIG. 5

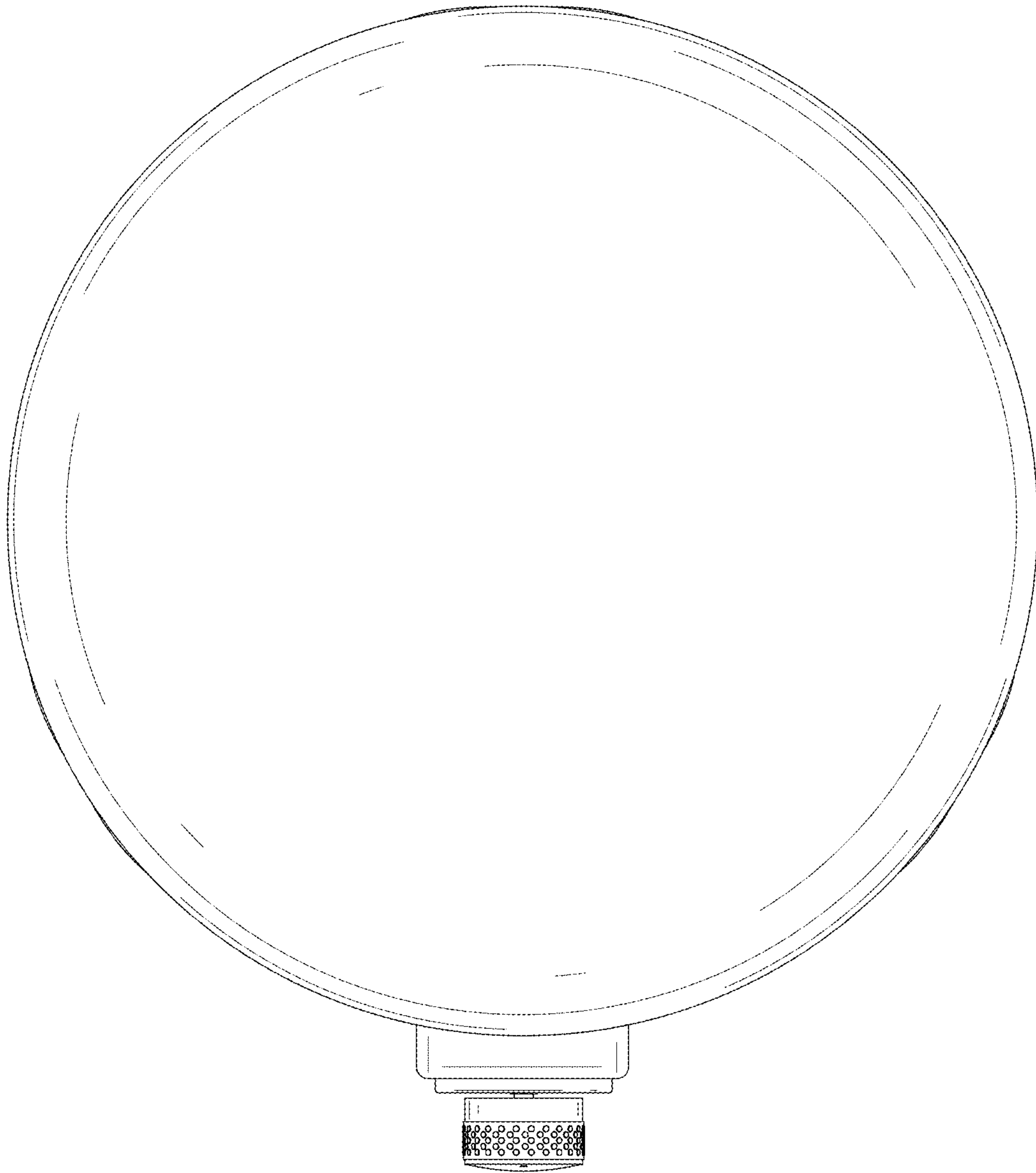


FIG. 6

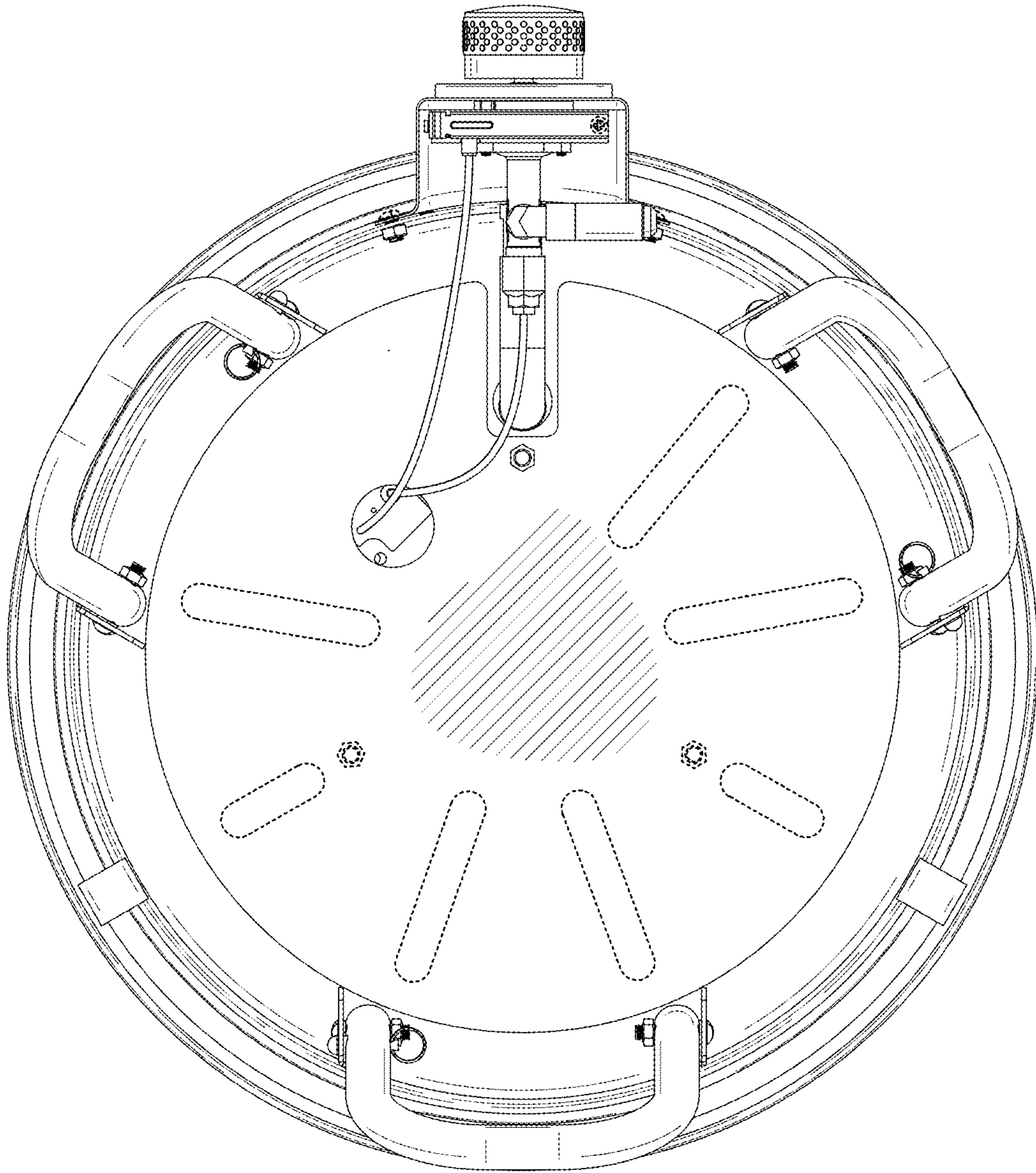


FIG. 7