

US00D968577S

(12) **United States Design Patent** (10) **Patent No.:** **US D968,577 S**
Lor (45) **Date of Patent:** **** Nov. 1, 2022**

(54) **URINAL**
(71) Applicant: **Eddie Lor**, Riverside, CA (US)
(72) Inventor: **Eddie Lor**, Riverside, CA (US)
(**) Term: **15 Years**
(21) Appl. No.: **29/724,916**
(22) Filed: **Feb. 20, 2020**
(51) **LOC (13) Cl.** **23-02**
(52) **U.S. Cl.**
USPC **D23/302**
(58) **Field of Classification Search**
USPC D23/302, 309
See application file for complete search history.

Primary Examiner — Robert A Delehanty
(74) *Attorney, Agent, or Firm* — Law Offices of Jon E. Kappes, PLC

(57) **CLAIM**

The ornamental design for a urinal, as shown and described.

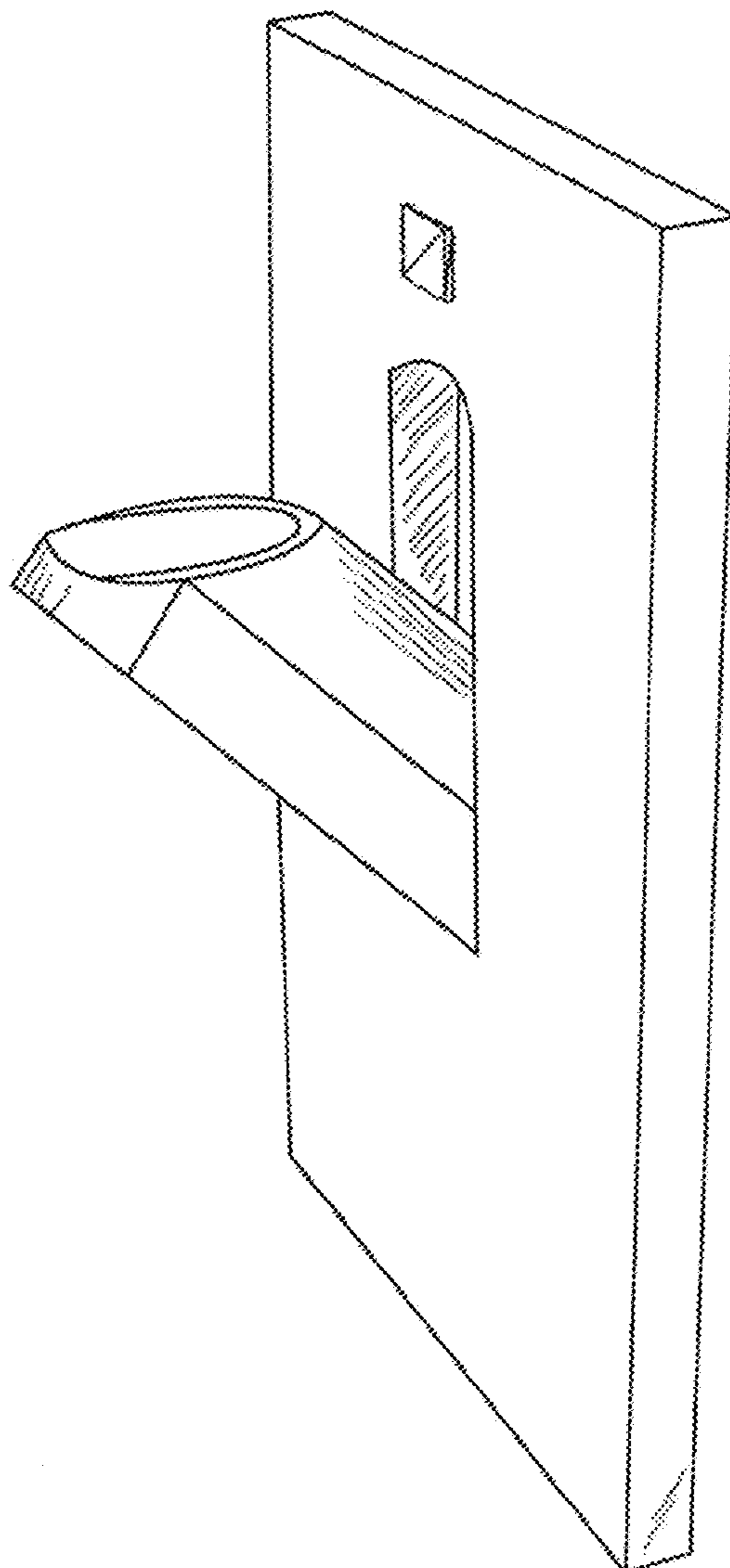
DESCRIPTION

FIGS. 1 and 2 are perspective views of a urinal showing my design.
FIGS. 3 and 4 are side elevational views thereof.
FIGS. 5 and 6 are top and bottom views thereof; and,
FIGS. 7 and 8 are front and rear elevational views thereof.

(56) **References Cited**
U.S. PATENT DOCUMENTS
D911,500 S * 2/2021 Panseri E03D 1/00
D23/302
11,319,701 B2 * 5/2022 Panseri E03D 13/005

* cited by examiner

1 Claim, 4 Drawing Sheets



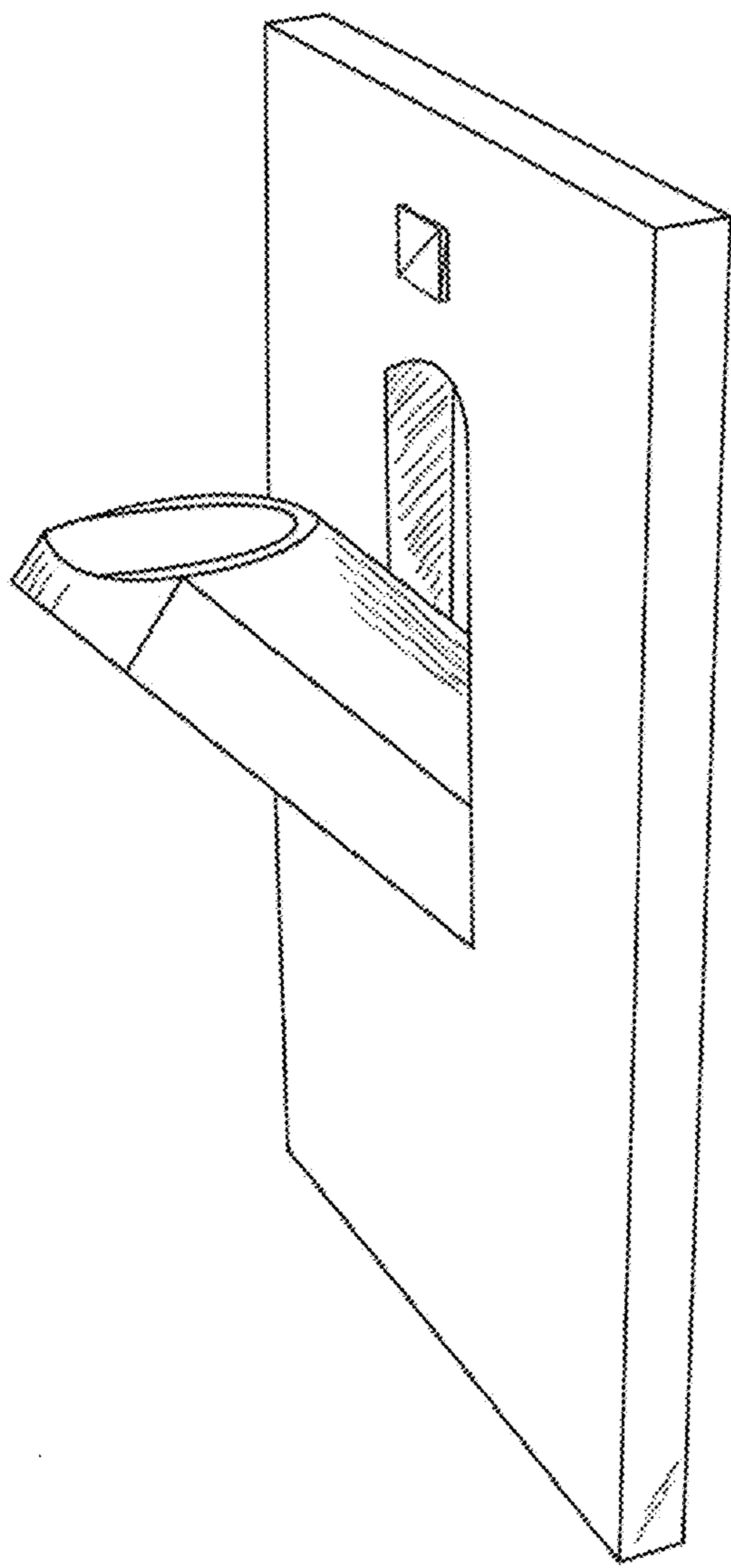


FIGURE 1

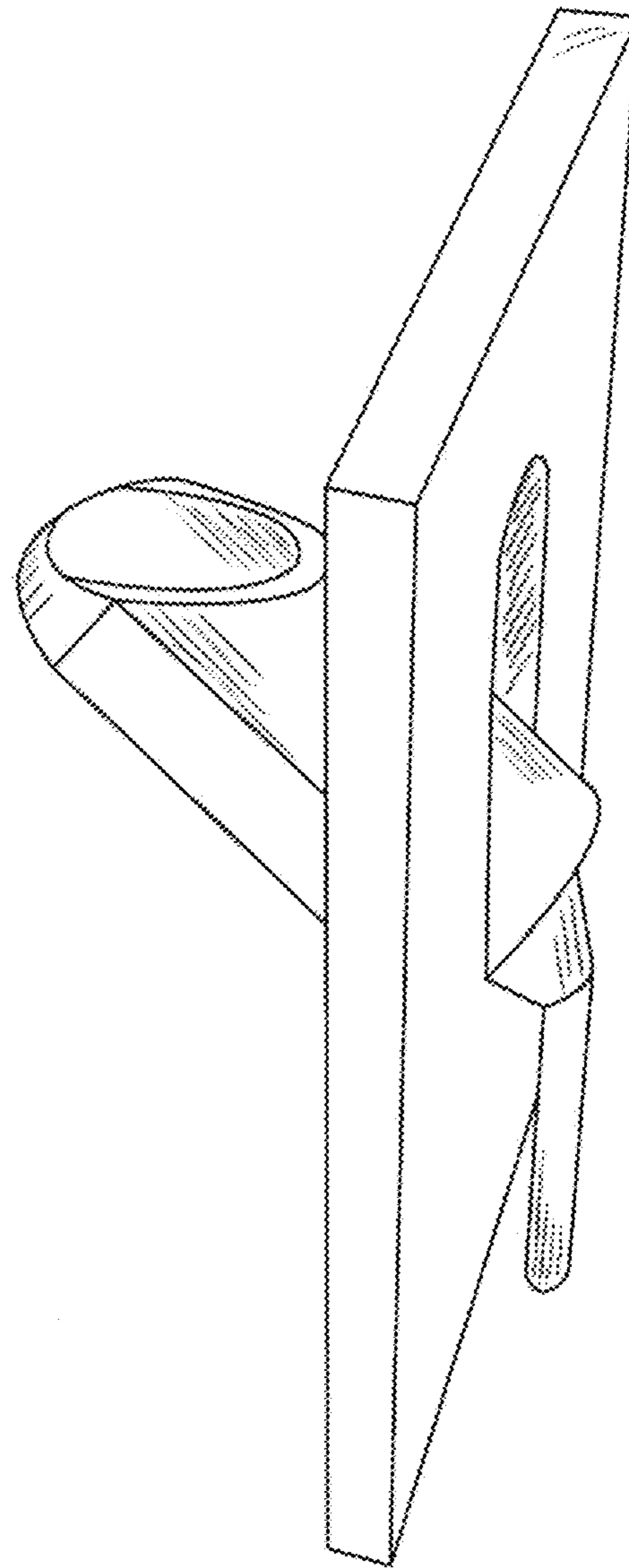


FIGURE 2

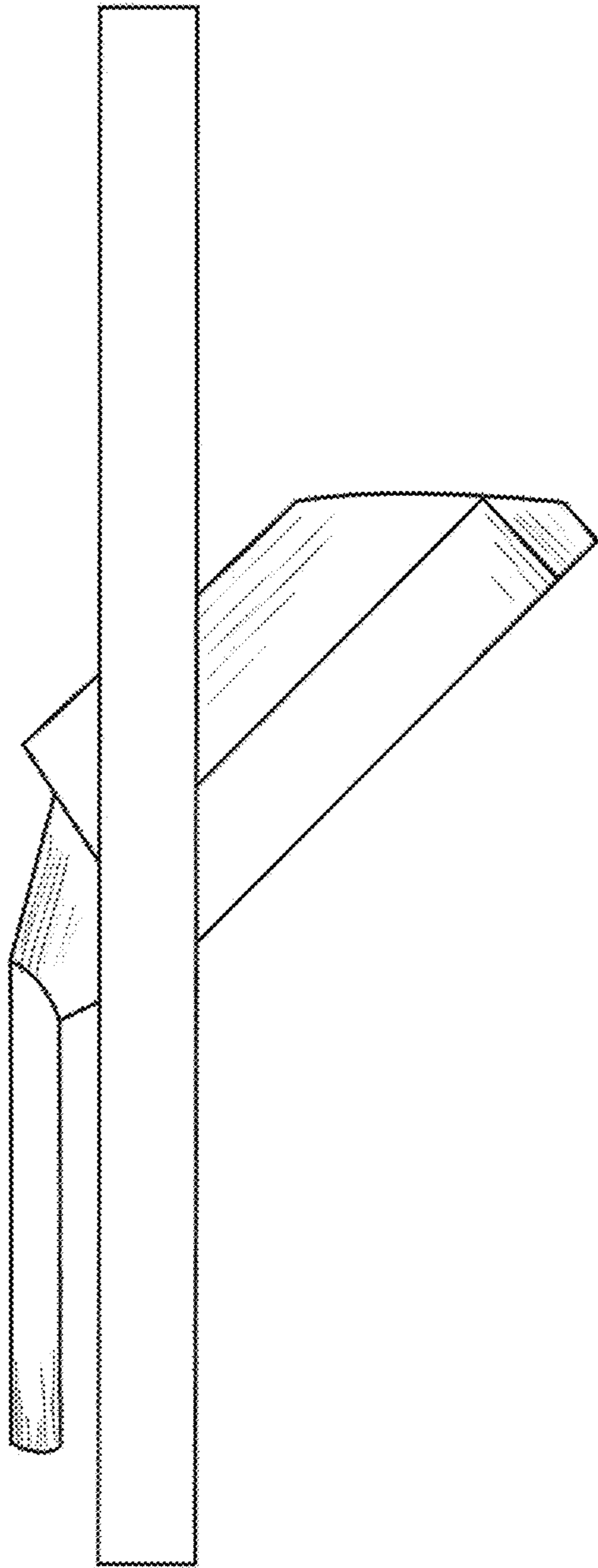


FIGURE 3

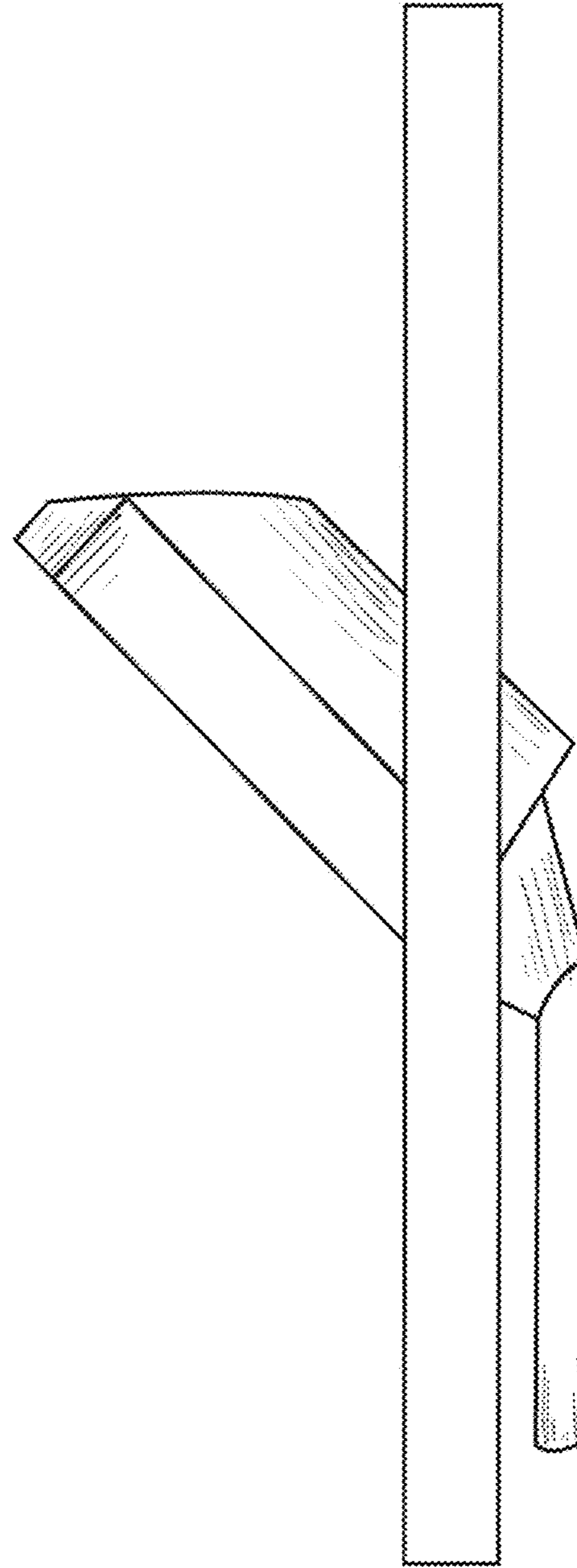


FIGURE 4

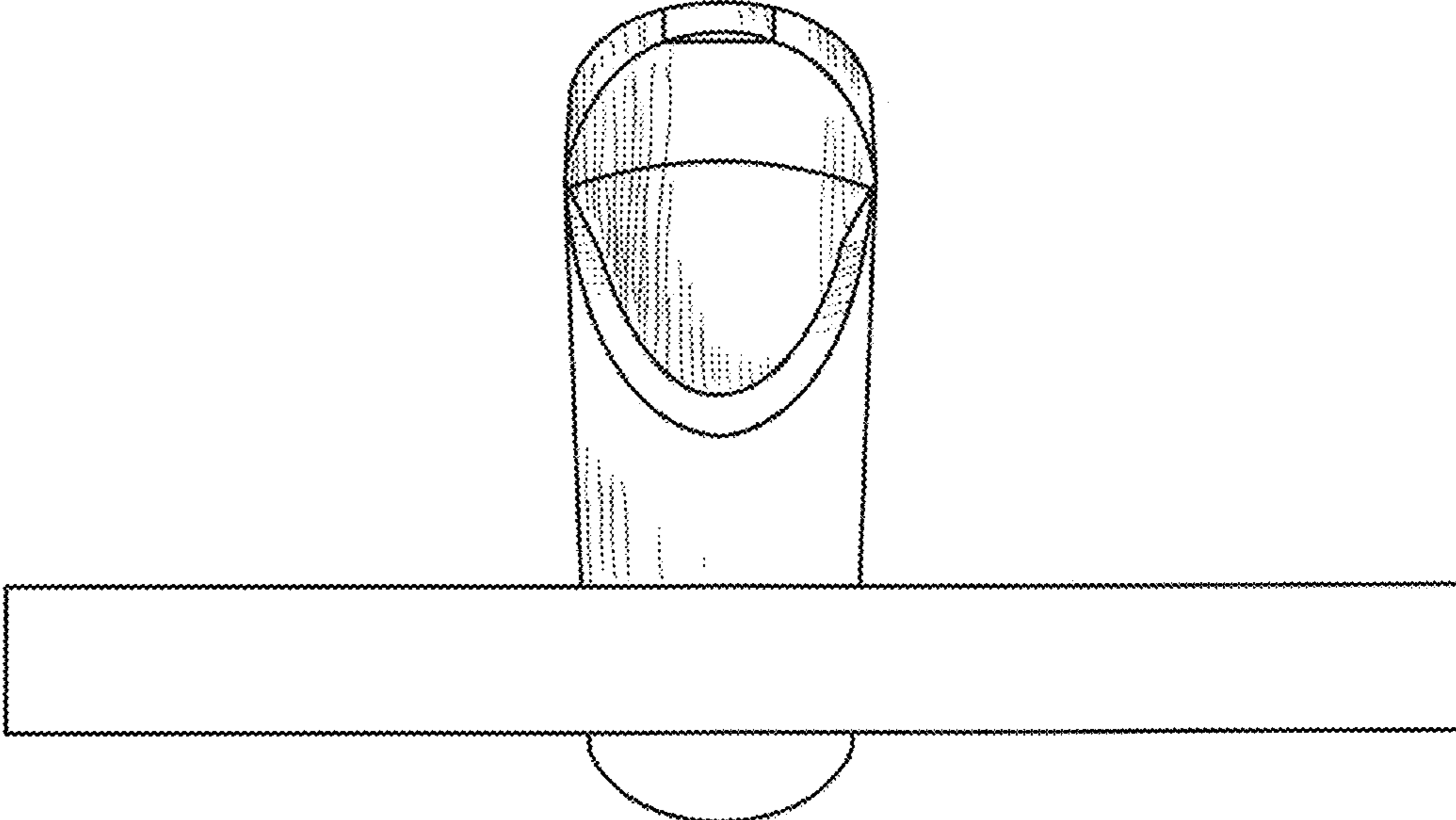


FIGURE 5

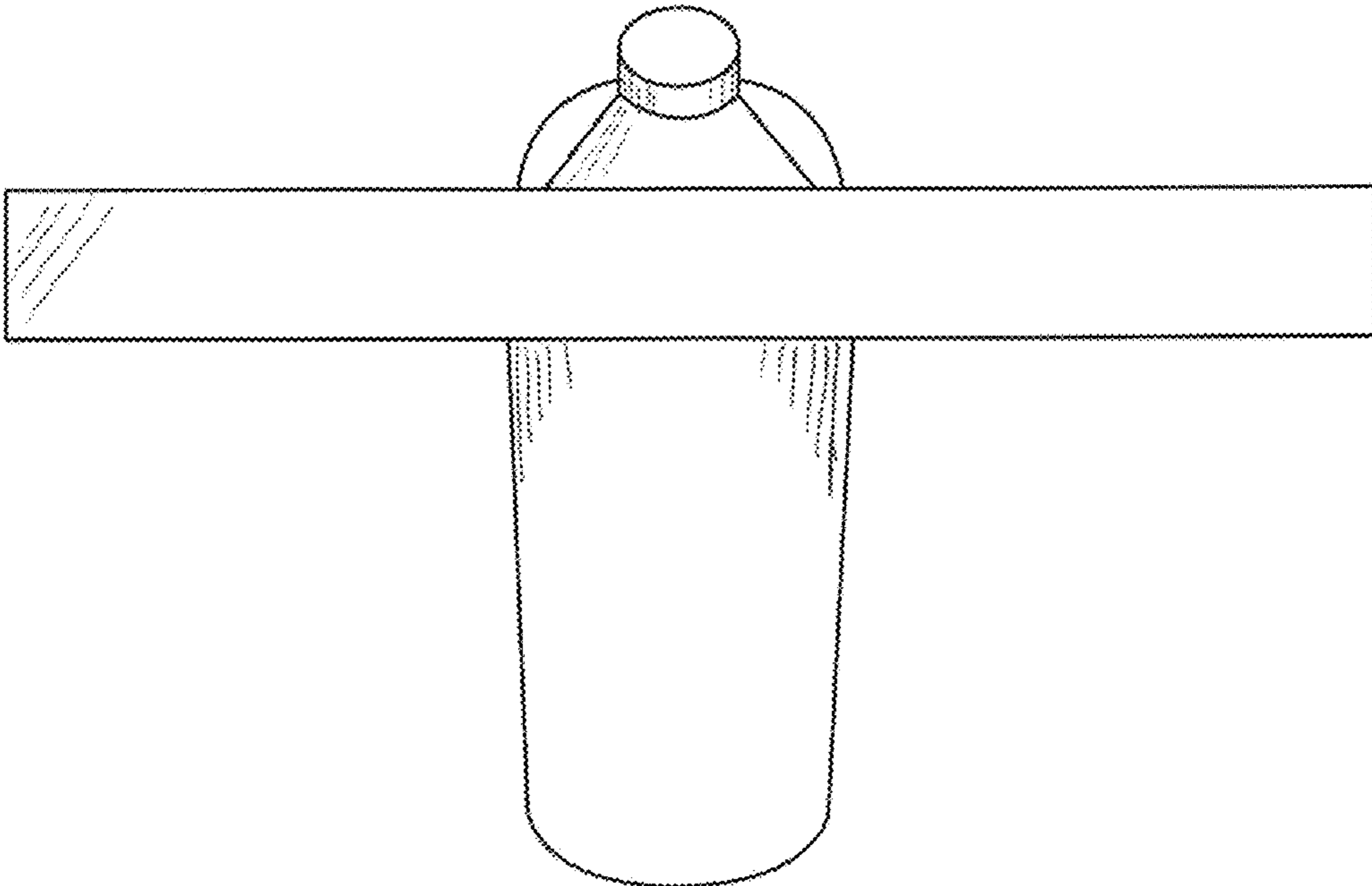


FIGURE 6

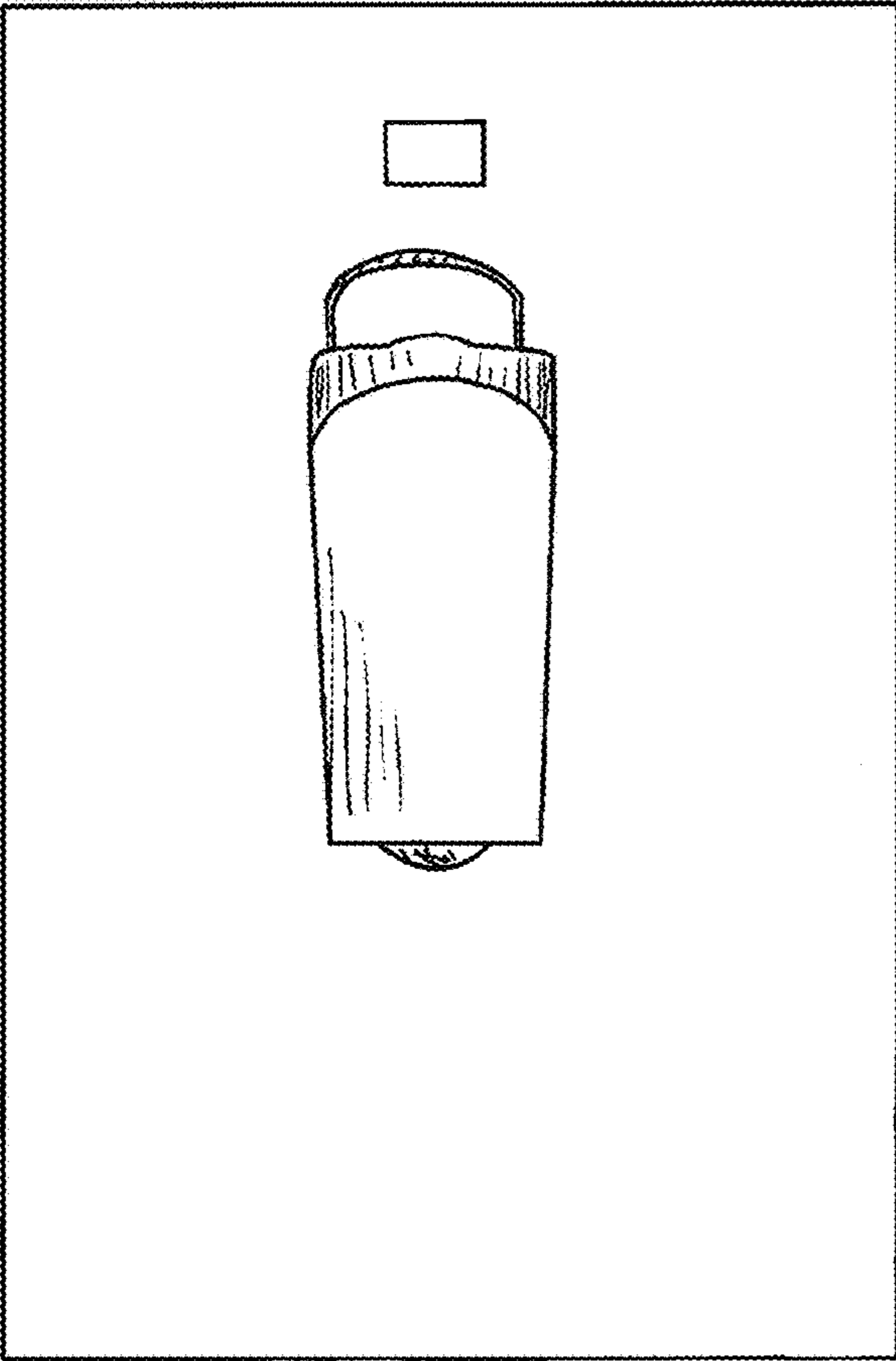


FIGURE 7

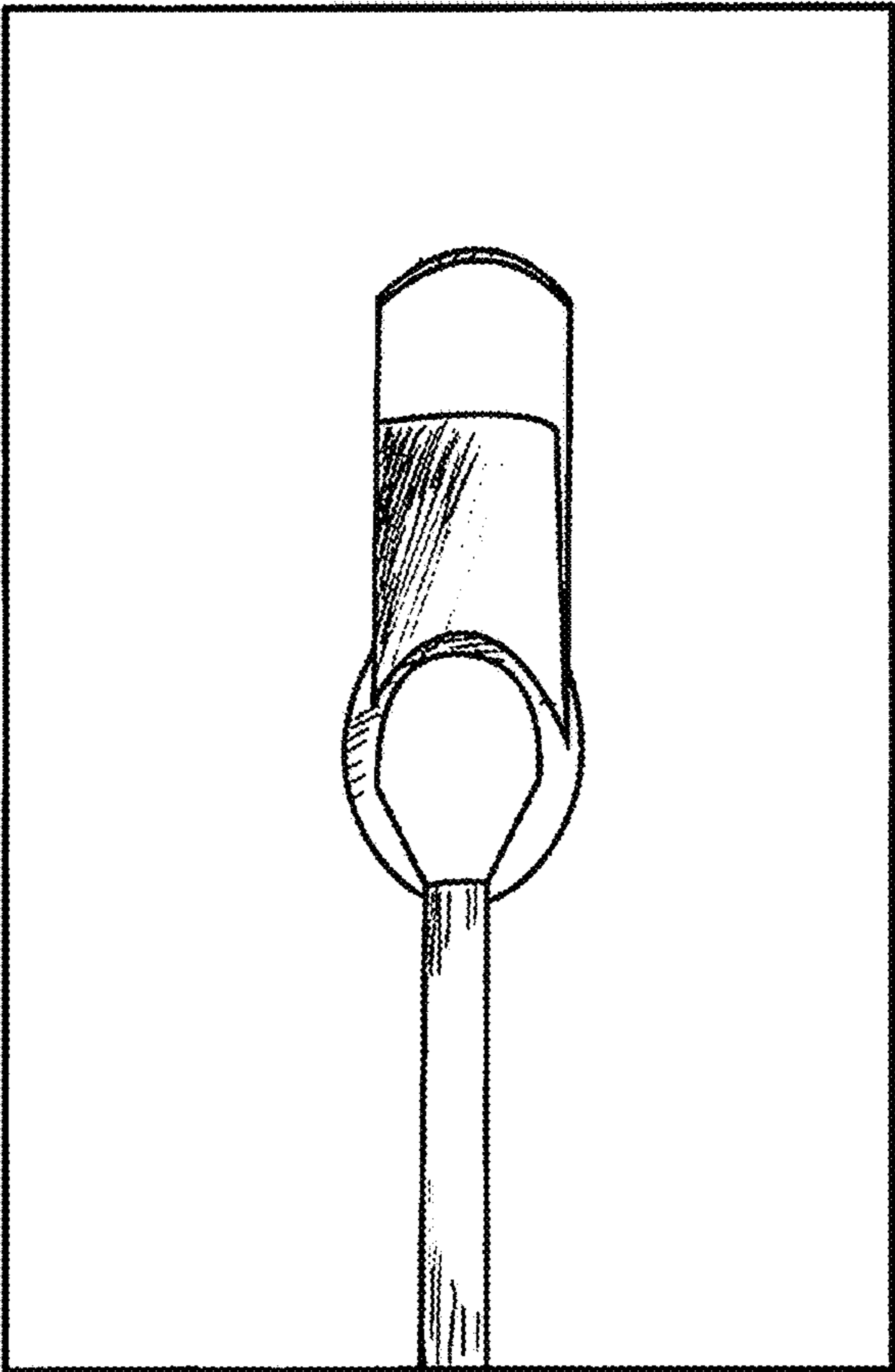


FIGURE 8