



US00D968576S

(12) **United States Design Patent**
Hwang

(10) **Patent No.:** **US D968,576 S**

(45) **Date of Patent:** **** Nov. 1, 2022**

(54) **OUTTAKE HOSE**

(71) Applicant: **Polaris E-Commerce, Inc.**, Santa Ana, CA (US)

(72) Inventor: **Insoo Hwang**, Santa Ana, CA (US)

(73) Assignee: **POLARIS E-COMMERCE, INC.**, Santa Ana, CA (US)

(**) Term: **15 Years**

(21) Appl. No.: **29/652,472**

(22) Filed: **Aug. 25, 2020**

(51) **LOC (13) Cl.** **23-01**

(52) **U.S. Cl.**
USPC **D23/266**

(58) **Field of Classification Search**
USPC D23/213, 223, 233, 249, 250, 262, D23/266-269, 323, 333; D7/300.1, 313, D7/509, 510, 523; D14/188, 194, 195, D14/204, 221, 228; D26/26, 37, 40, 46, D26/49, 93, 104, 105; D34/39; D15/7
CPC F15B 11/064; F15B 11/068; F15B 11/072; F15B 11/0725; F17C 5/06; F16L 1/00; F16L 9/00; F16L 13/00; F16L 13/146; F16L 2101/00; F16L 17/035; Y10S 84/01; Y10S 92/01; Y10S 102/70; A47G 7/06
See application file for complete search history.

(56) **References Cited**

U.S. PATENT DOCUMENTS

5,209,409 A * 5/1993 Neiss B24C 5/04
239/530
D355,703 S * 2/1995 Duell D23/223

D358,397 S * 5/1995 Phillips D15/7
D376,439 S * 12/1996 Chai D26/37
D478,068 S * 8/2003 Sundquist D14/228
D702,810 S * 4/2014 Stednitz D23/213
D881,168 S * 4/2020 Chen D14/228
D943,714 S * 2/2022 Han D23/262

* cited by examiner

Primary Examiner — Gino Colan

Assistant Examiner — David OBrien

(74) *Attorney, Agent, or Firm* — Innovation Capital Law Group, LLP; Vic Lin

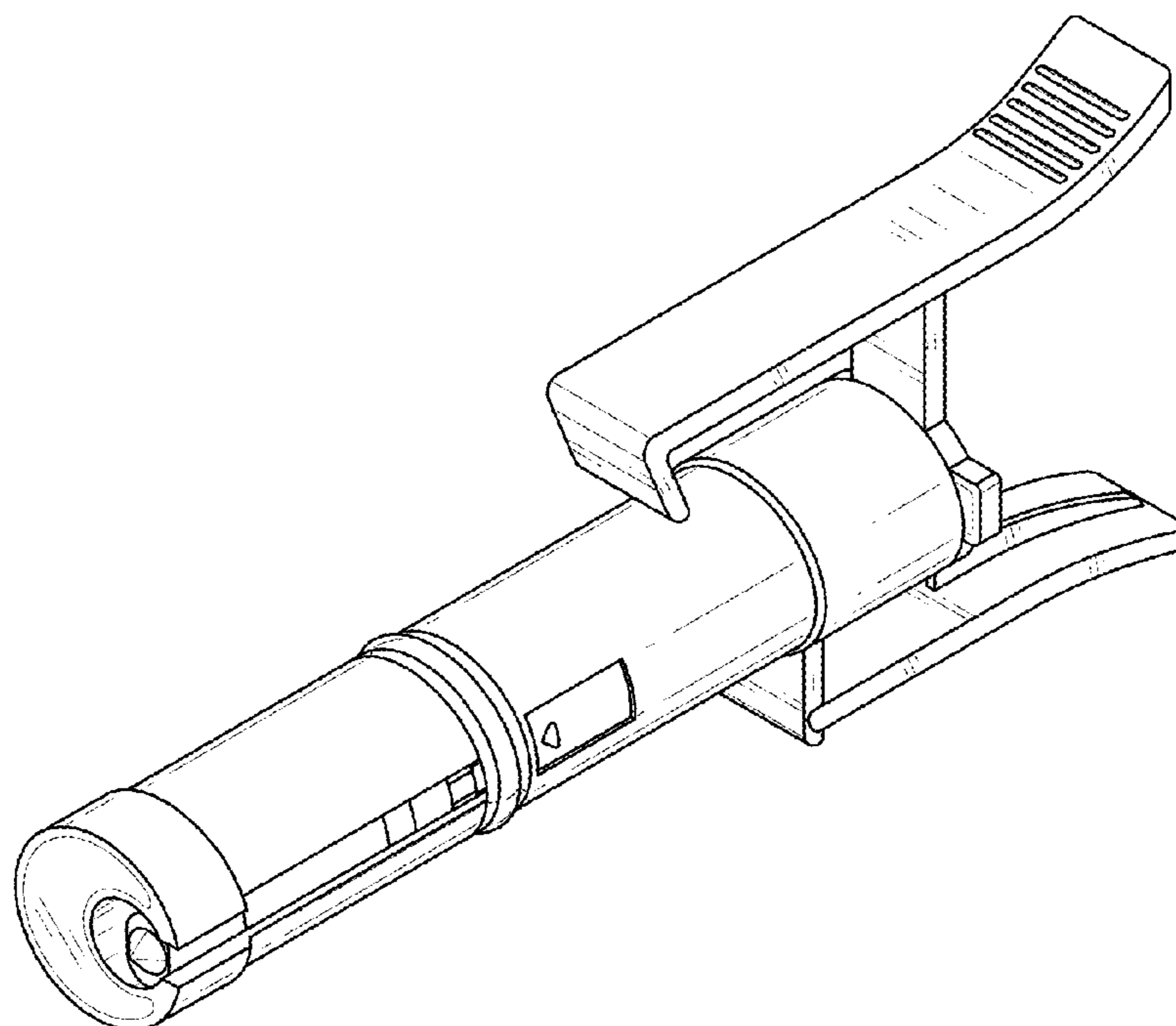
(57) **CLAIM**

The ornamental design for an outtake hose, as shown and described.

DESCRIPTION

FIG. 1 is a front elevation view of an outtake hose, showing my new design;
FIG. 2 is a rear elevation view thereof;
FIG. 3 is a right side elevation view thereof;
FIG. 4 is a left side elevation view thereof;
FIG. 5 is a top plan view thereof;
FIG. 6 is a bottom plan view thereof; and,
FIG. 7 is a front perspective view thereof.
The broken lines shown in the figures are the purpose of illustrating portions of the outtake hose and form no part of the claimed design.

1 Claim, 7 Drawing Sheets



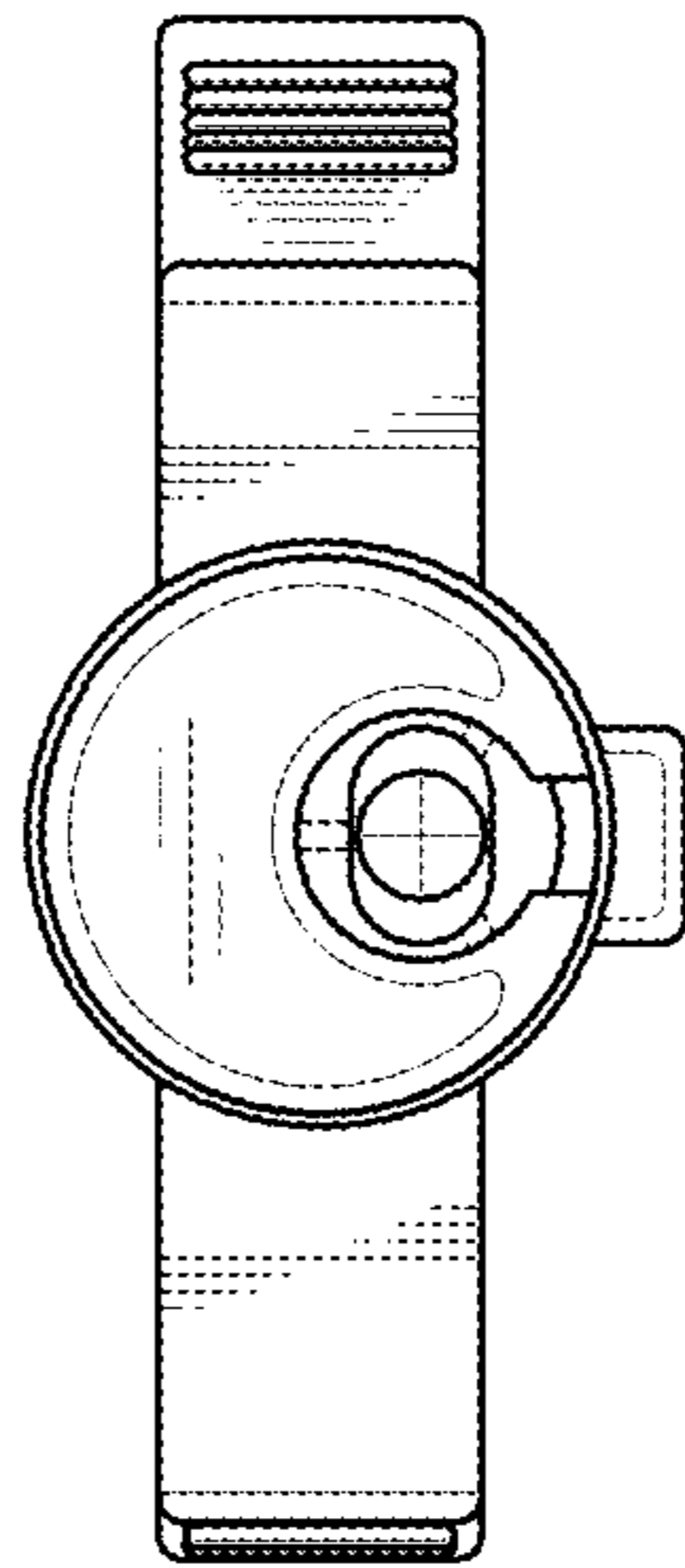


FIG. 1

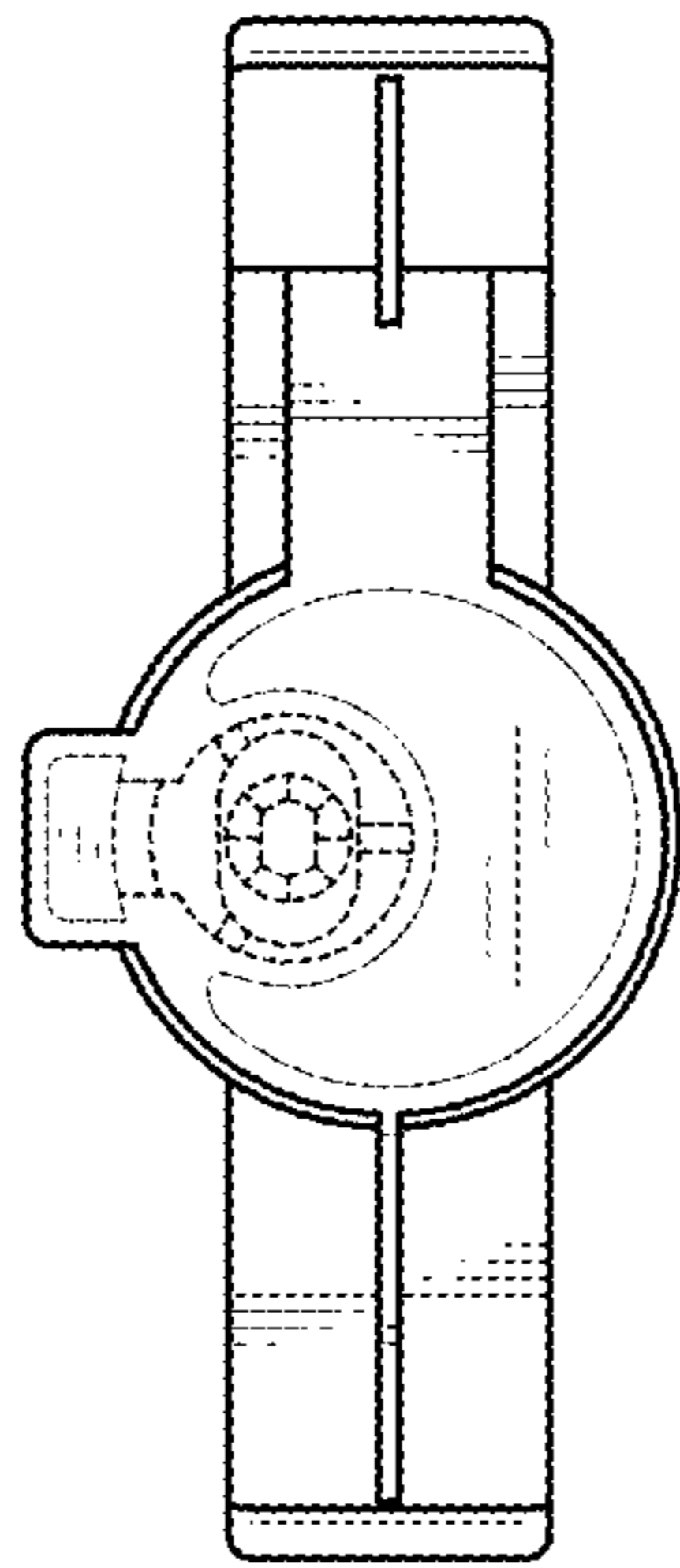


FIG. 2

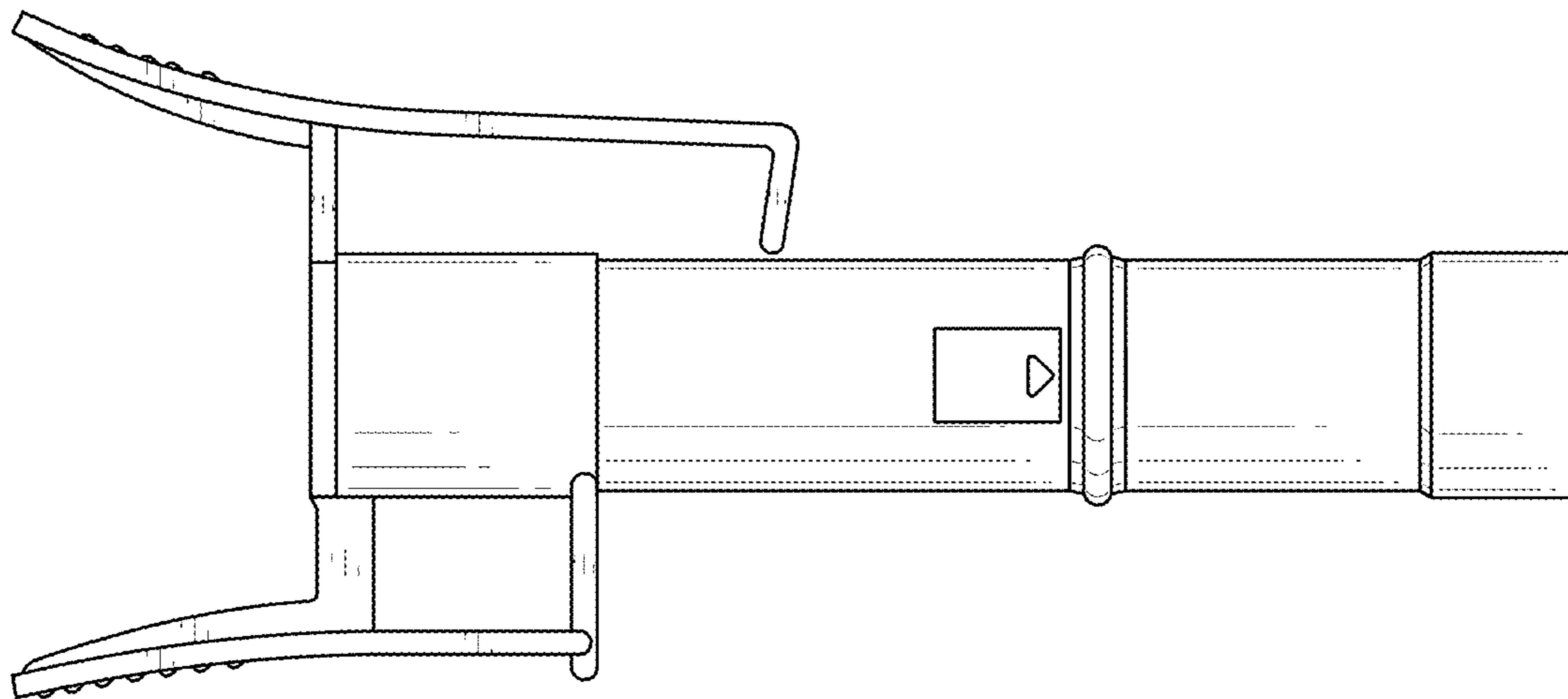


FIG. 3

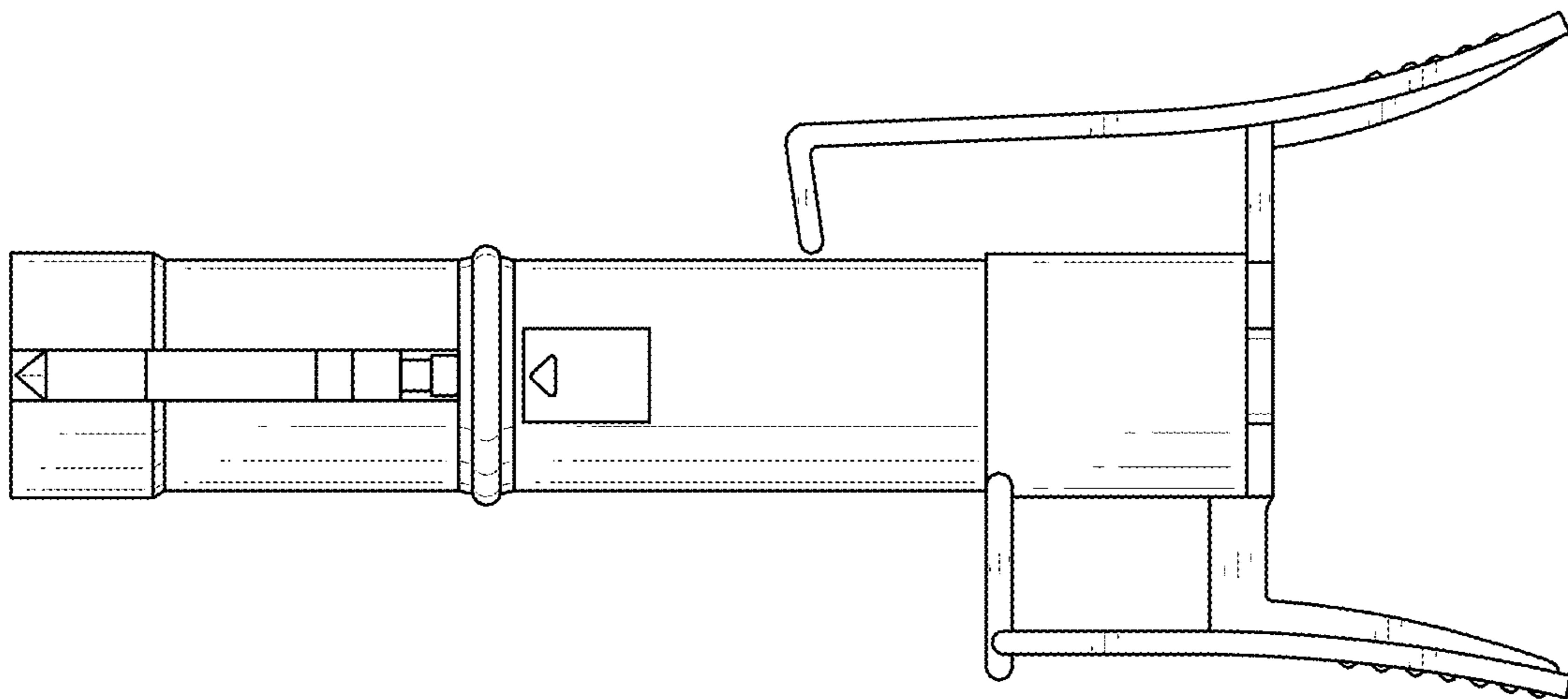


FIG. 4

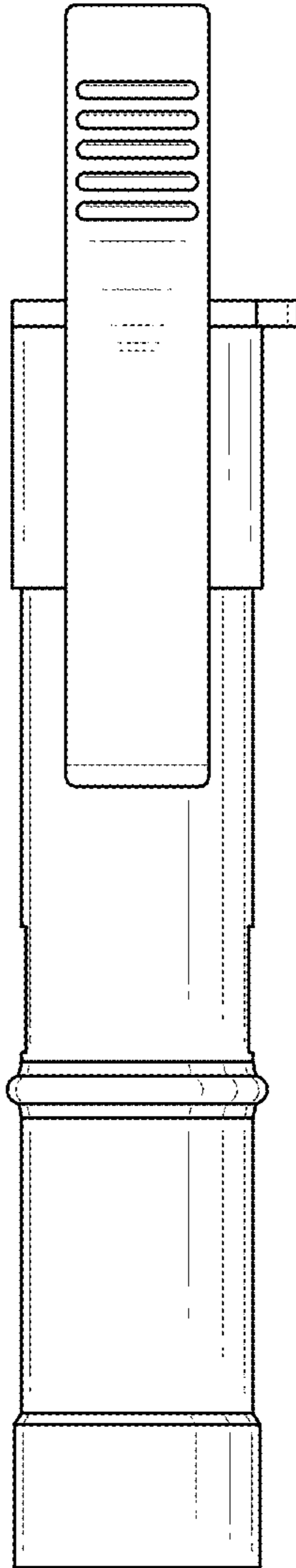


FIG. 5

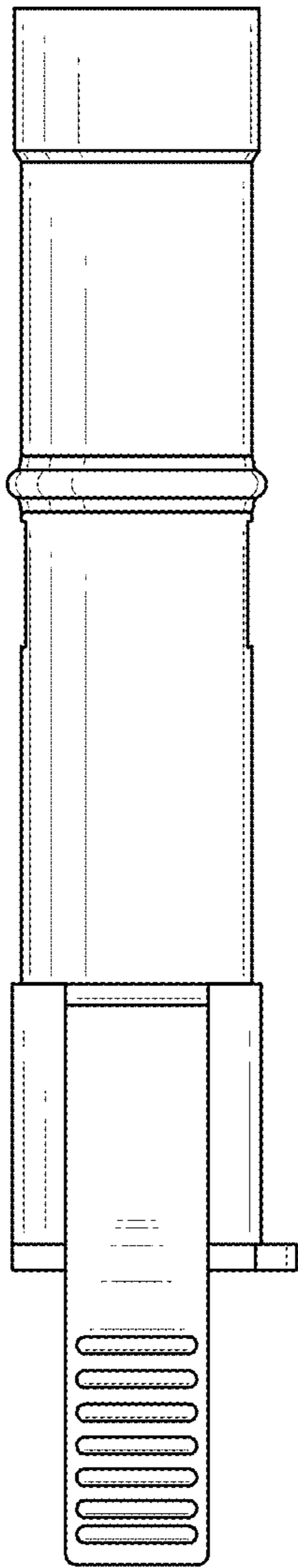


FIG. 6

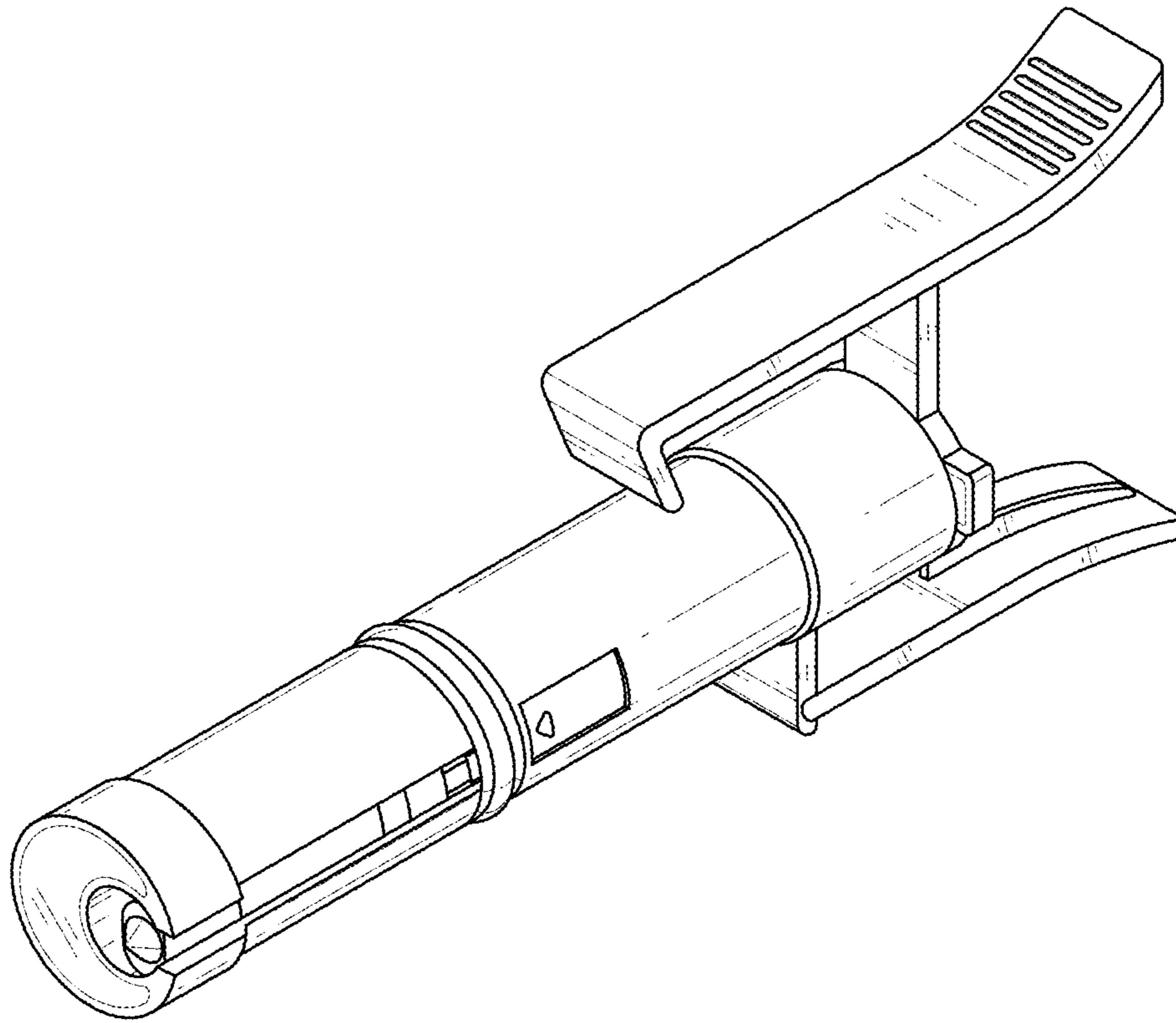


FIG. 7