



US00D968575S

(12) **United States Design Patent**  
**Li**

(10) **Patent No.:** **US D968,575 S**

(45) **Date of Patent:** **\*\* Nov. 1, 2022**

(54) **GAS SAFETY VALVE**  
(71) Applicant: **Bingbing Meng**, Henan (CN)  
(72) Inventor: **Shuaikang Li**, Henan (CN)  
(\*\*) Term: **15 Years**

D623,271 S	9/2010	Yamada	
D667,930 S	9/2012	Yamada	
D682,397 S	5/2013	Ben-Nun	
D857,853 S *	8/2019	Shinozaki	D23/245
D872,834 S	1/2020	Howard	
D912,245 S	3/2021	Grudo et al.	
D915,552 S	4/2021	Thiel	
D946,129 S *	3/2022	Luo	D23/249
D956,185 S *	6/2022	Li	D23/245

(21) Appl. No.: **29/791,152**  
(22) Filed: **Dec. 31, 2021**  
(51) **LOC (13) Cl.** ..... **23-01**  
(52) **U.S. Cl.**  
USPC ..... **D23/245**  
(58) **Field of Classification Search**  
USPC ..... D23/233, 235, 237, 241, 244, 245-250;  
137/601.19, 625.4  
CPC ... F16K 17/00; F16K 5/10; F16K 1/36; F16K  
5/12; F16K 31/60; F16K 1/308; F16K  
1/304  
See application file for complete search history.

\* cited by examiner

*Primary Examiner* — Gino Colan

(57) **CLAIM**

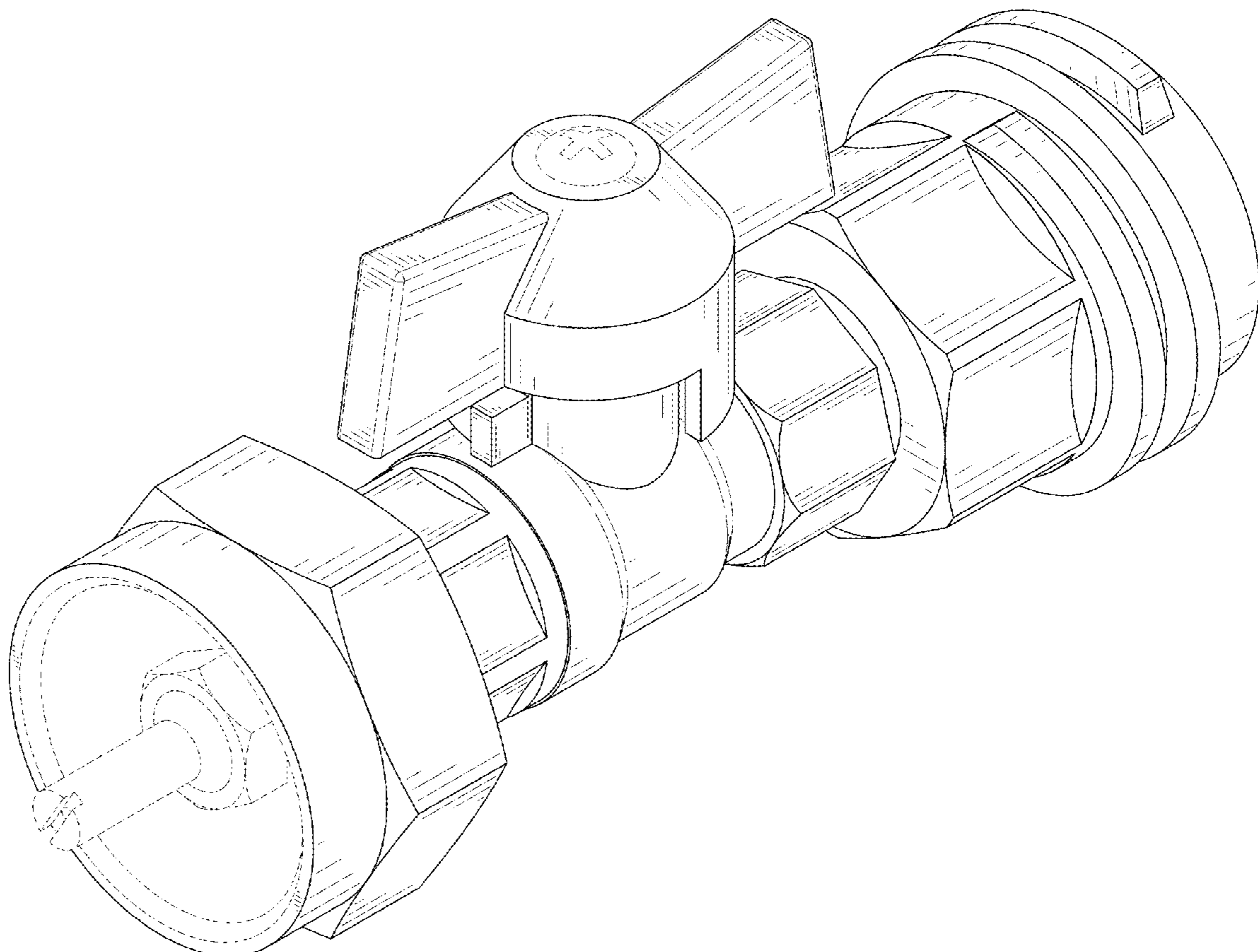
The ornamental design for a gas safety valve, as shown and described.

**DESCRIPTION**

FIG. 1 is a front and top perspective view of a gas safety valve, showing my new design;  
FIG. 2 is a rear and bottom perspective view thereof;  
FIG. 3 is a front elevation view thereof;  
FIG. 4 is a rear elevation view thereof;  
FIG. 5 is a left side elevation view thereof;  
FIG. 6 is a right side elevation view thereof;  
FIG. 7 is a top plan view thereof; and,  
FIG. 8 is a bottom plan view thereof.  
The broken lines in the figures illustrate portions of the gas safety valve that form no part of the claimed design.

(56) **References Cited**  
U.S. PATENT DOCUMENTS  
D345,006 S \* 3/1994 Gallagher ..... D23/245  
D400,970 S \* 11/1998 Voo ..... D23/245  
D505,184 S \* 5/2005 Trappa ..... D23/245  
D600,780 S 9/2009 Shishido  
D621,003 S \* 8/2010 Gramegna ..... D23/233

**1 Claim, 8 Drawing Sheets**



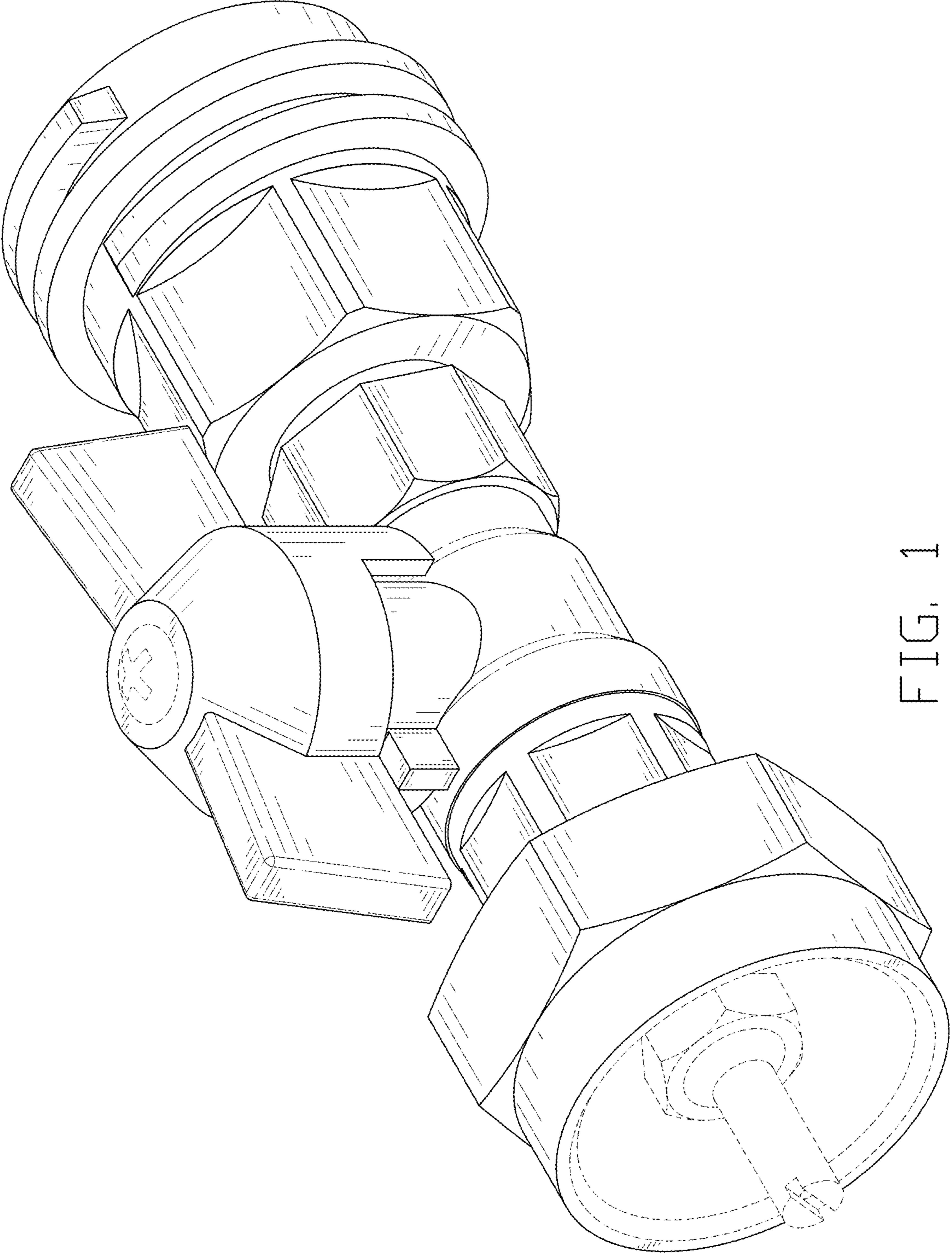


FIG. 1

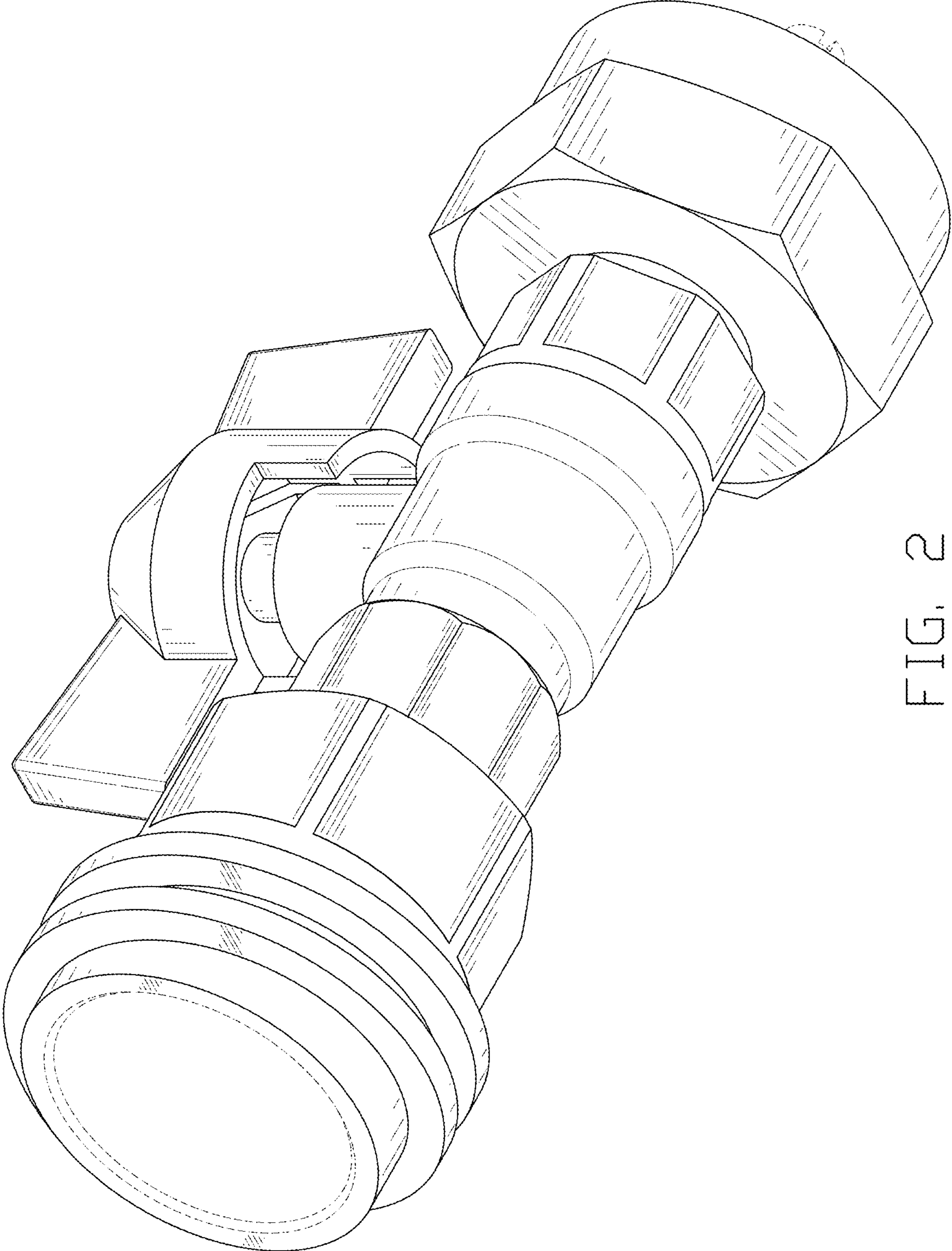


FIG. 2



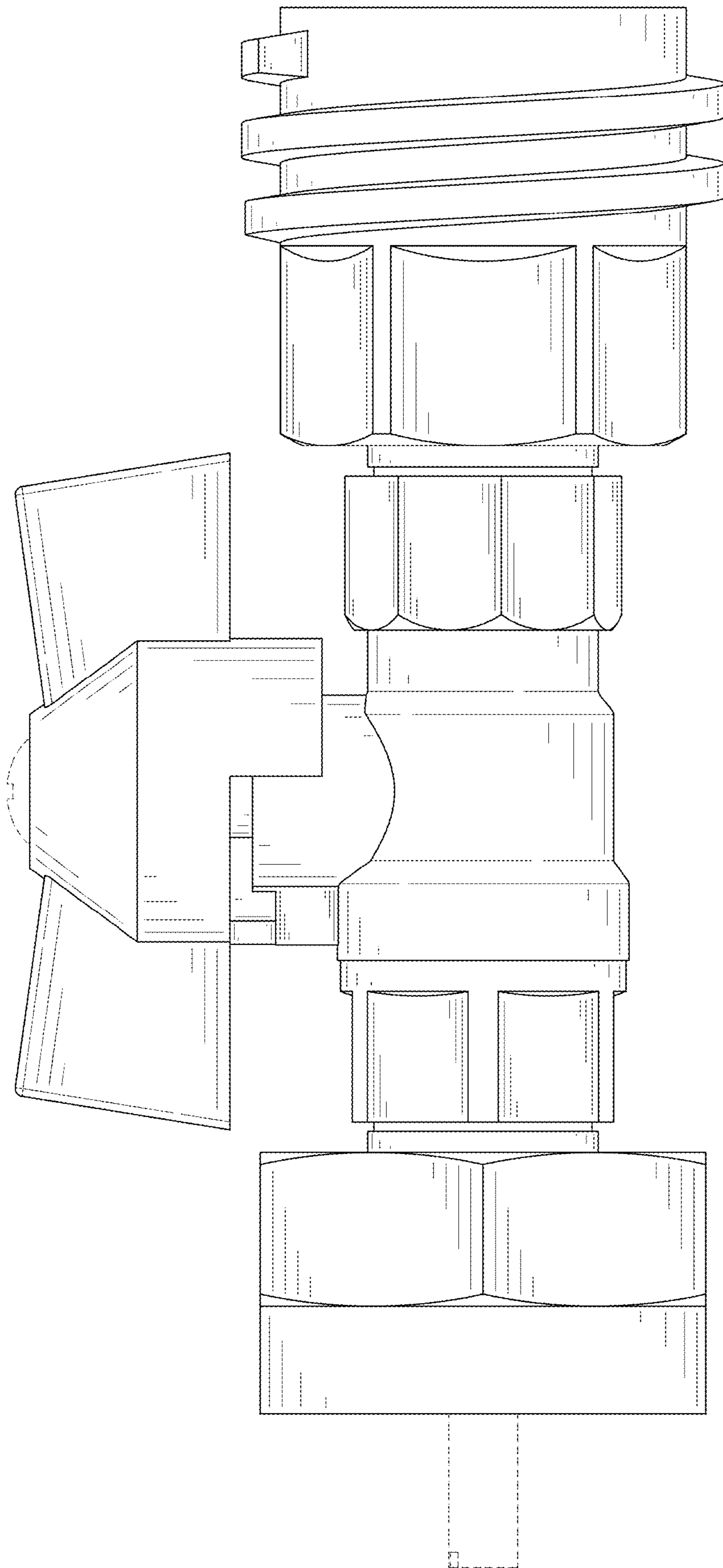


FIG. 3

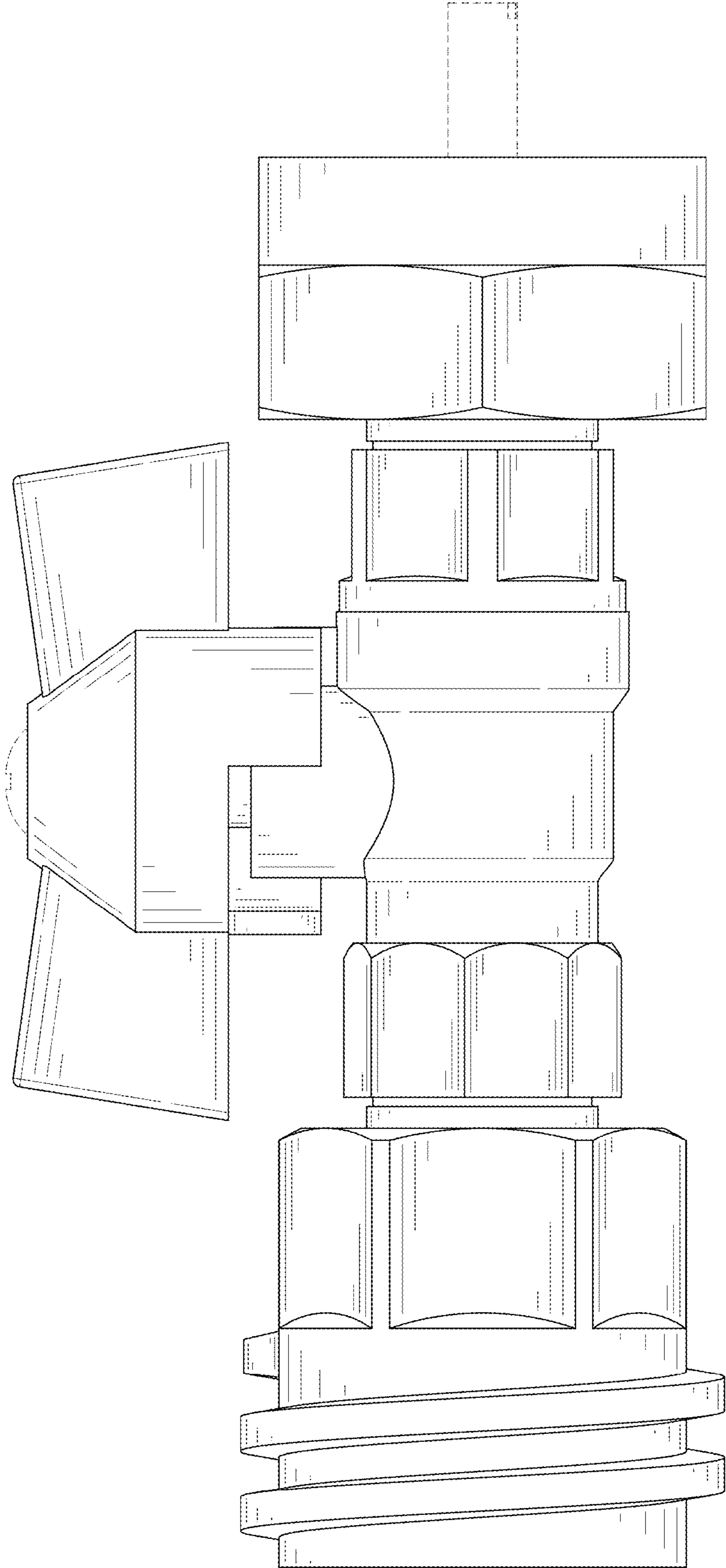


FIG. 4

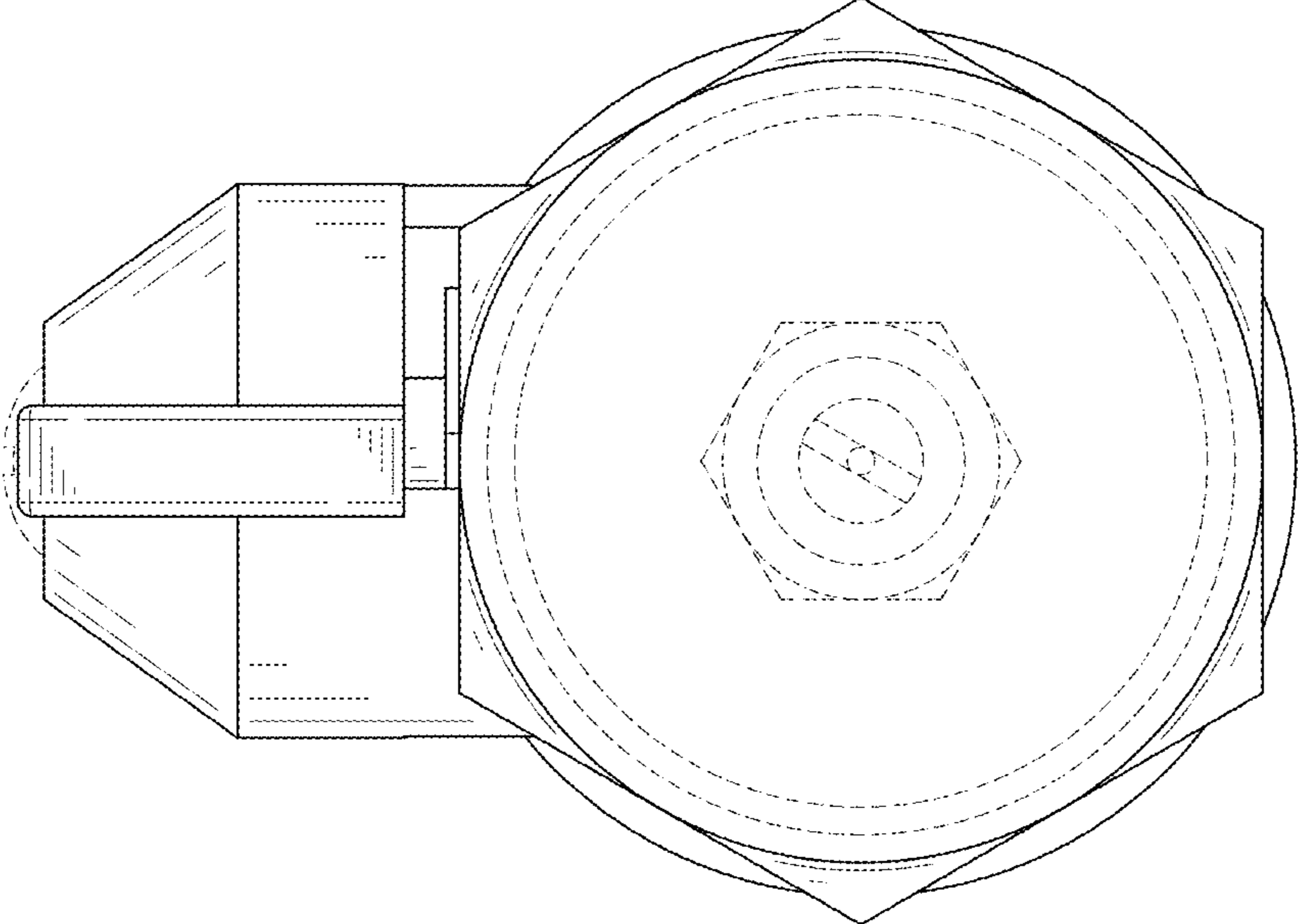


FIG. 5

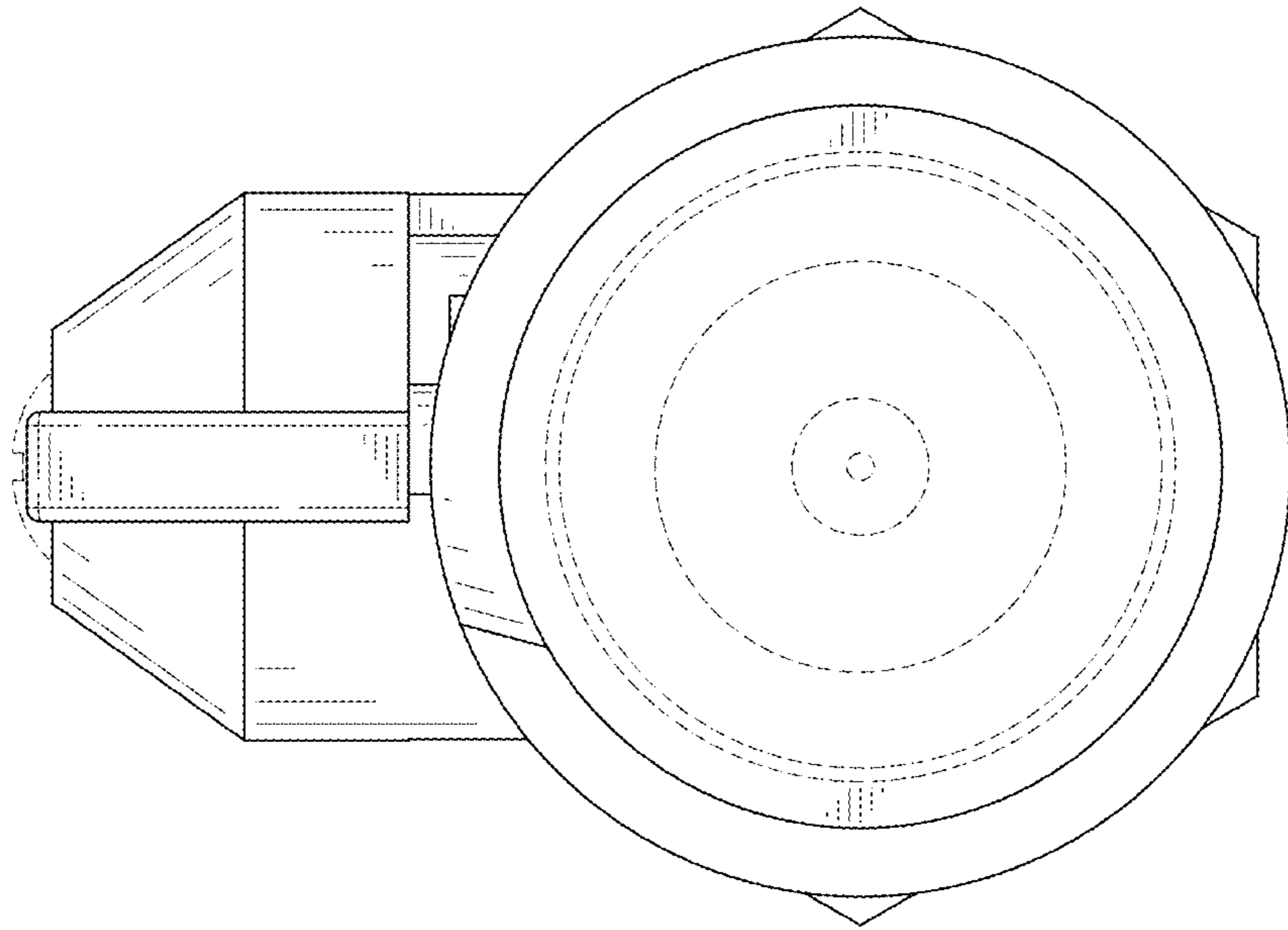


FIG. 6

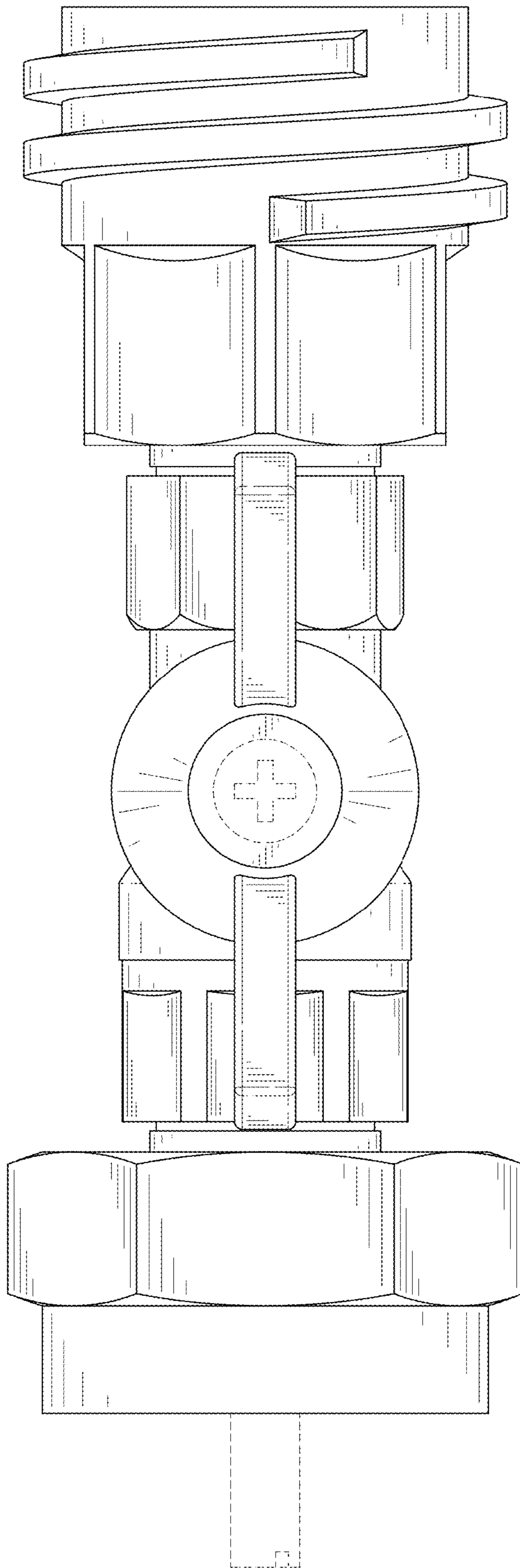


FIG. 7



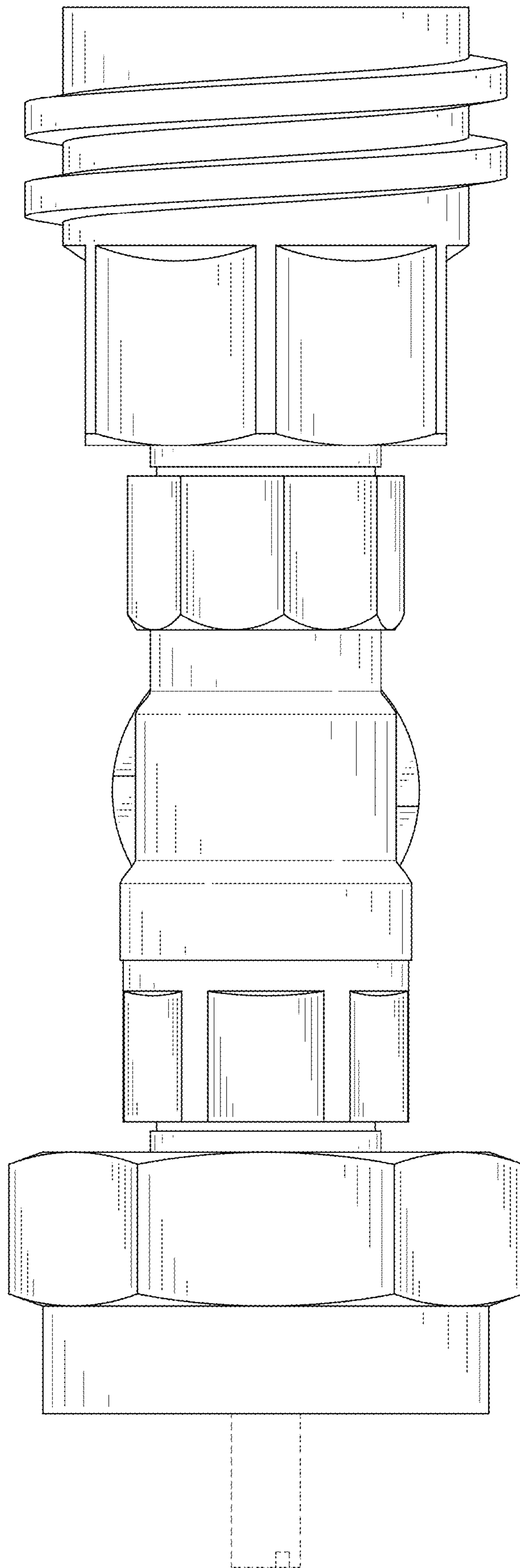


FIG. 8