



US00D968574S

(12) **United States Design Patent**
Guo

(10) **Patent No.:** **US D968,574 S**
(45) **Date of Patent:** **** Nov. 1, 2022**

(54) **FAUCET**

(71) Applicant: **Heshan Jiahaojia Sanitary Ware Industry Co., Ltd.**, Heshan (CN)

(72) Inventor: **Liangping Guo**, Ganzhou (CN)

(73) Assignee: **Heshan Jiahaojia Sanitary Ware Industry Co., Ltd.**, Heshan (CN)

(**) Term: **15 Years**

(21) Appl. No.: **29/843,034**

(22) Filed: **Jun. 17, 2022**

(51) **LOC (13) Cl.** **23-01**

(52) **U.S. Cl.**
USPC **D23/242**

(58) **Field of Classification Search**
USPC D23/238–243, 250, 252, 254–255, 257;
D8/307–308

See application file for complete search history.

(56) **References Cited**

U.S. PATENT DOCUMENTS

D290,159 S *	6/1987	Jans	D23/242
D299,159 S *	12/1988	Arnolds	D23/242
D767,727 S *	9/2016	Eads	D23/242
D924,369 S *	7/2021	Zeng	D23/242
D961,052 S *	8/2022	Mai	D23/241
D961,053 S *	8/2022	Zhu	D23/242

OTHER PUBLICATIONS

Milly Modern 2-Handle Deck Mounted Waterfall Widespread Bathroom Sink Faucet, Homory.com. <https://www.homory.com/item/>

milly-modern-2handle-deck-mounted-waterfall-widespread-bathroom-sink-faucet-11169.html (Year: 2021).*
Brushed Nickel Waterfall Bathroom Faucet—Amazon.com https://www.amazon.com/Brushed-Nickel-Waterfall-Bathroom-Faucet/dp/B09Q1ZTGC7/ref=sr_1_3?crd=3T275FFZONIM7&keywords=Brushed%2BNickel%2BWaterfall%2BBathroom%2BFaucet%2B-%2BWidespread%2BBathroom%2BFaucets%2Bfor%2BSink%2B3%2BHole%2C%2B2-Handles%2B8%2BInch%2BBathroom%2B (Year: 2022).*

* cited by examiner

Primary Examiner — Robert A Delehanty

(74) *Attorney, Agent, or Firm* — Georgi Korobanov

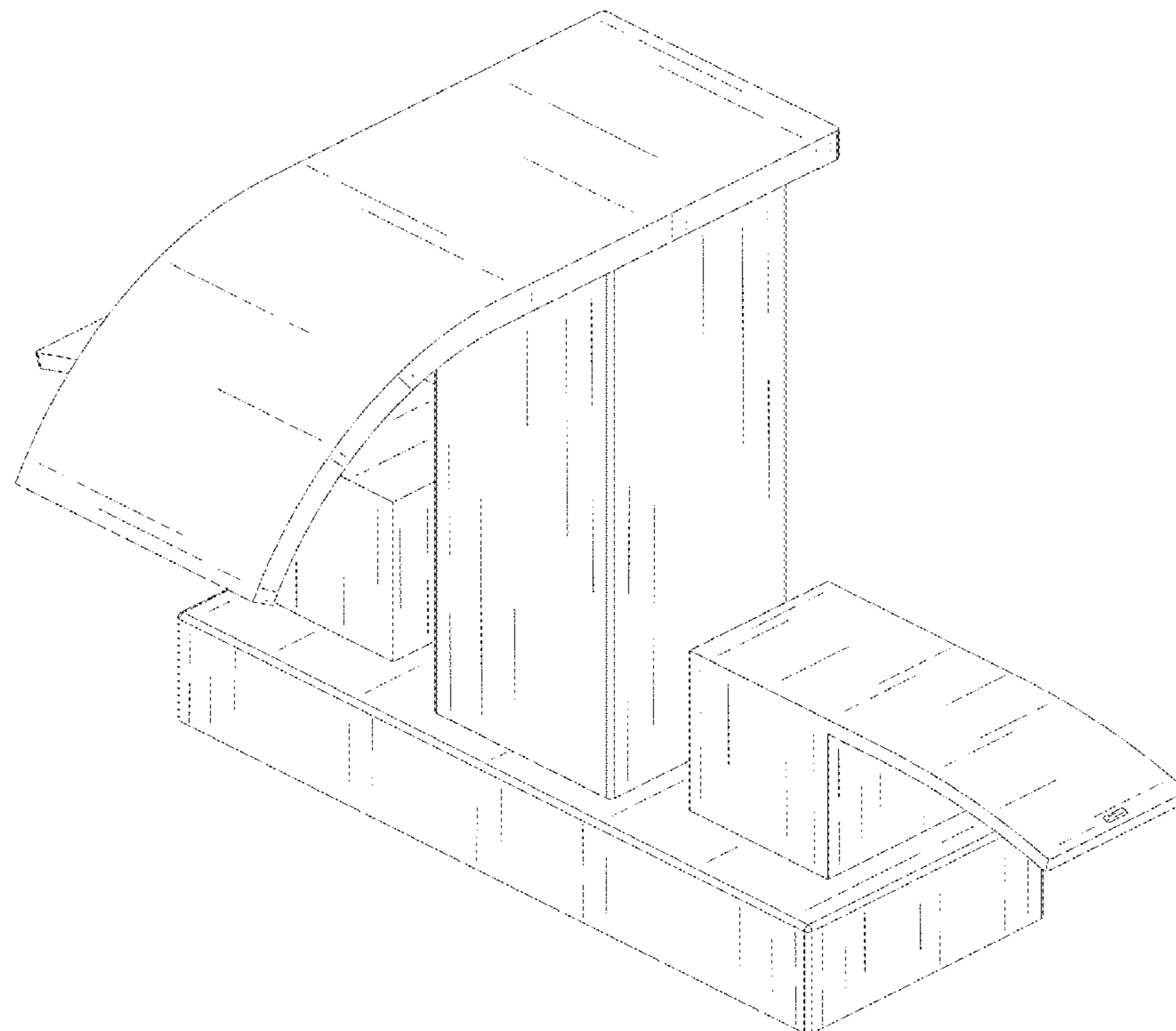
(57) **CLAIM**

The ornamental design for a faucet, as shown and described.

DESCRIPTION

FIG. 1 is a perspective view of a faucet, showing my new design;
FIG. 2 is another perspective view thereof;
FIG. 3 is a front view thereof;
FIG. 4 is a rear view thereof;
FIG. 5 is a left side view thereof;
FIG. 6 is a right side view thereof;
FIG. 7 is a top plan view thereof; and,
FIG. 8 is a bottom plan view thereof.
The broken lines shown in the drawings illustrate portions of the faucet that form no part of the claimed design.

1 Claim, 8 Drawing Sheets



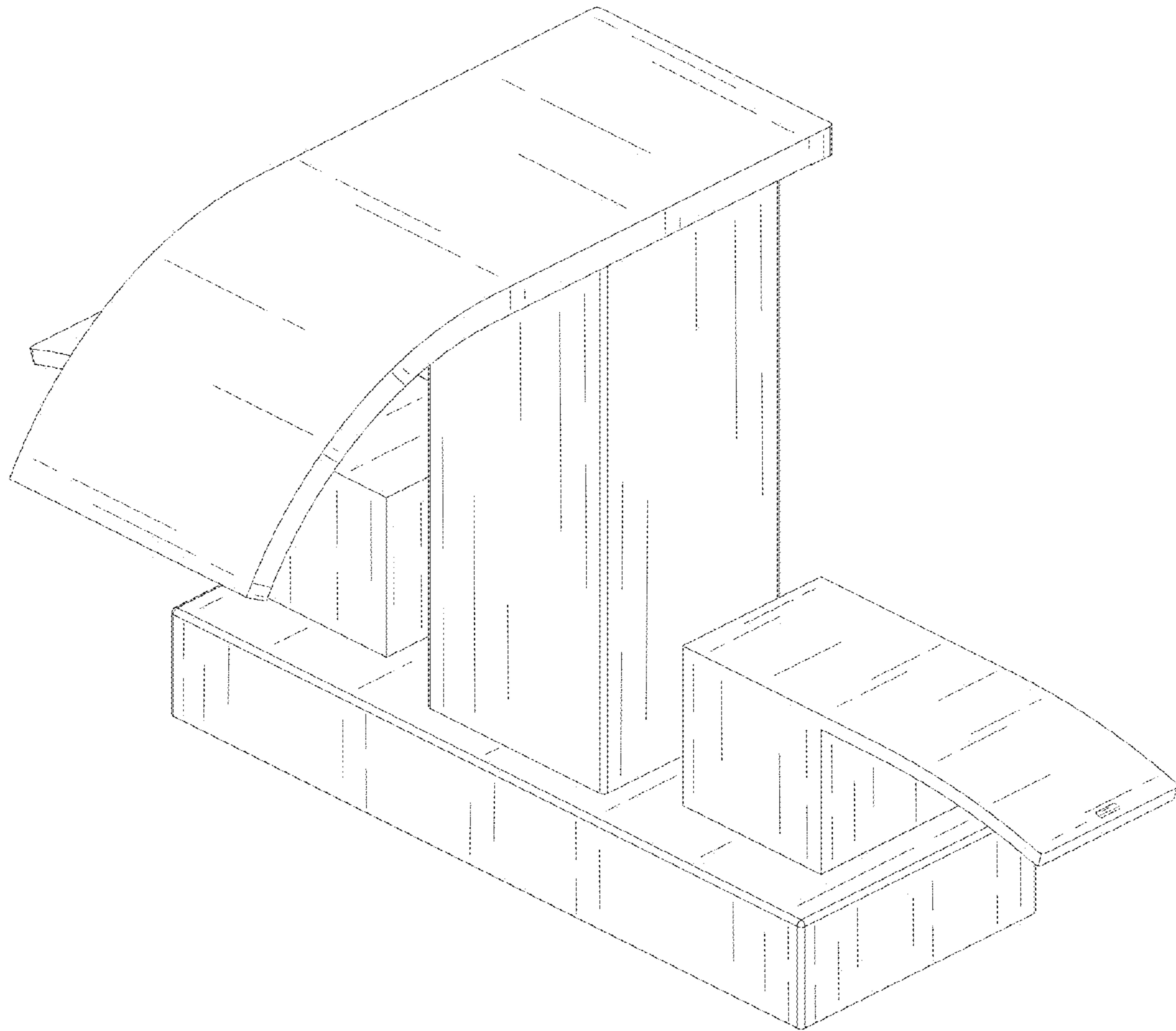


FIG. 1

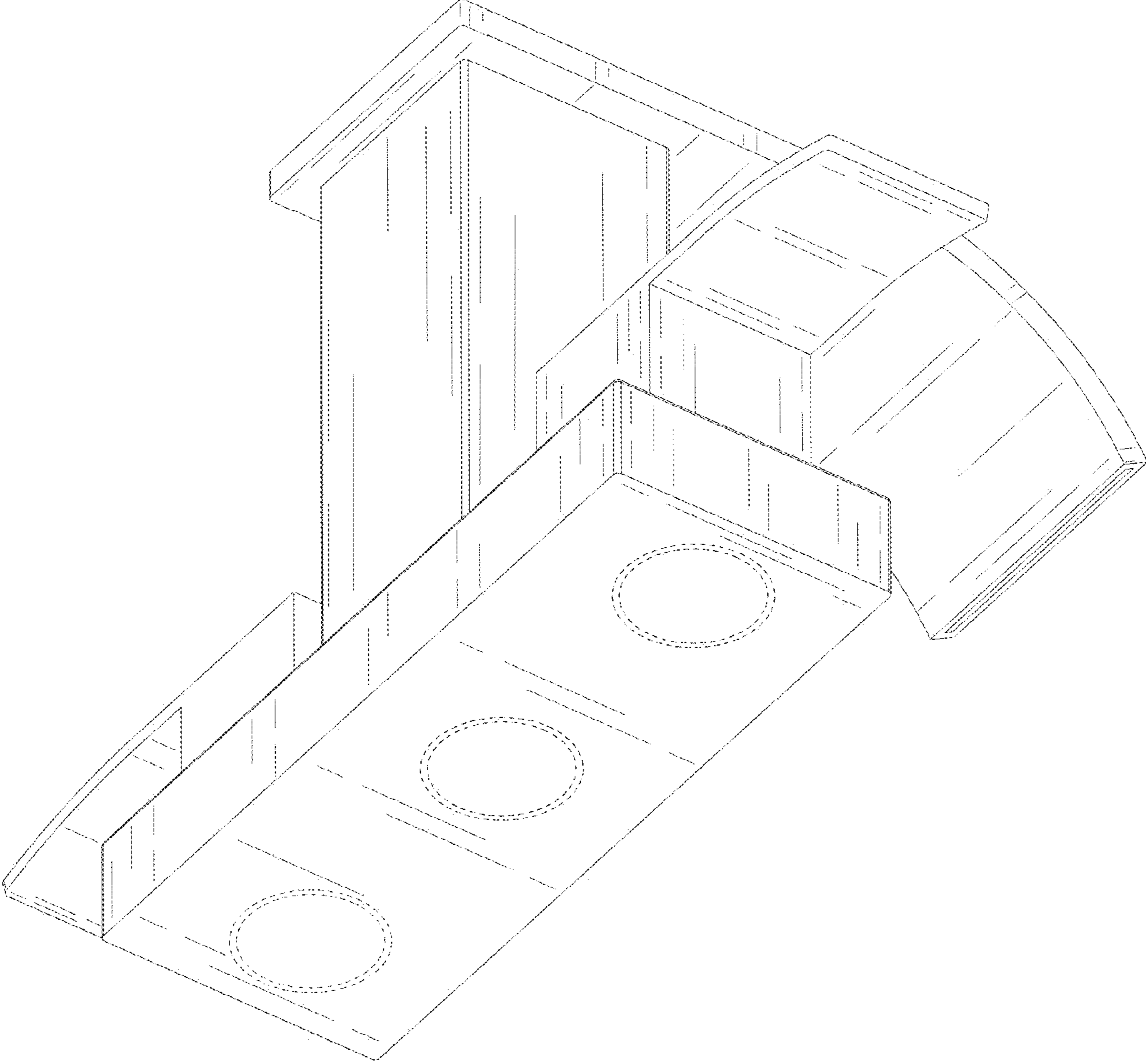


FIG. 2

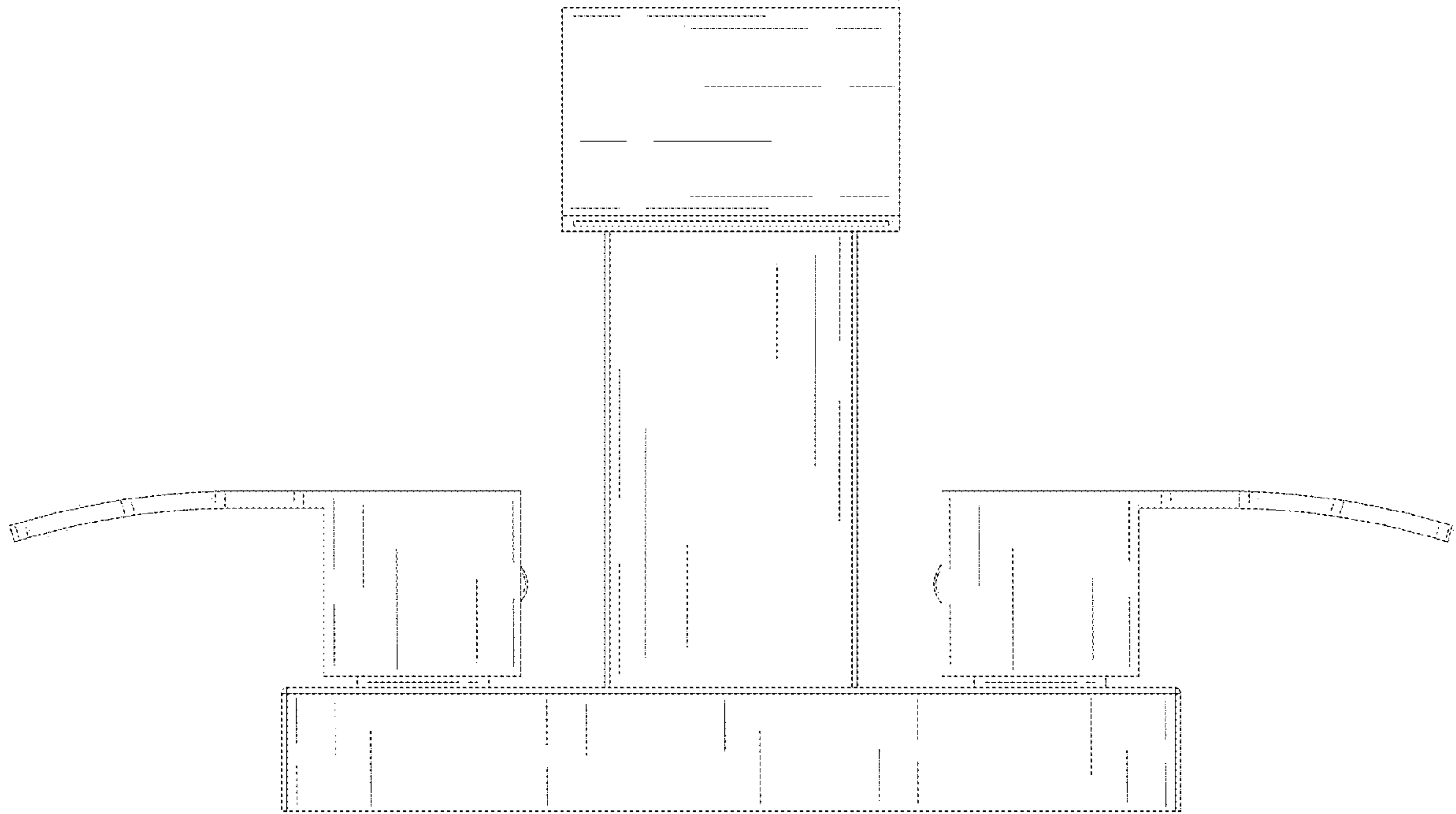


FIG. 3

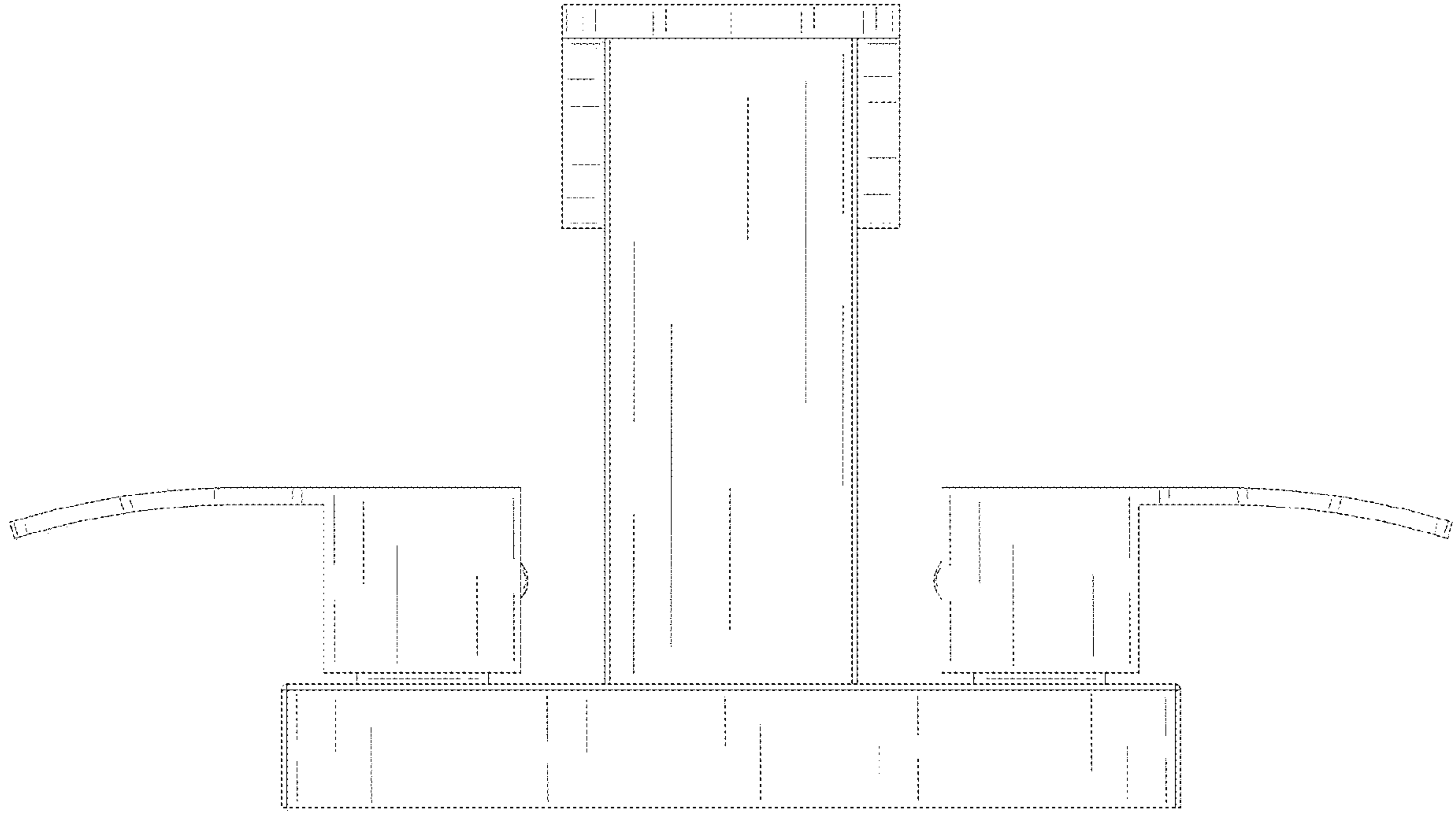


FIG. 4

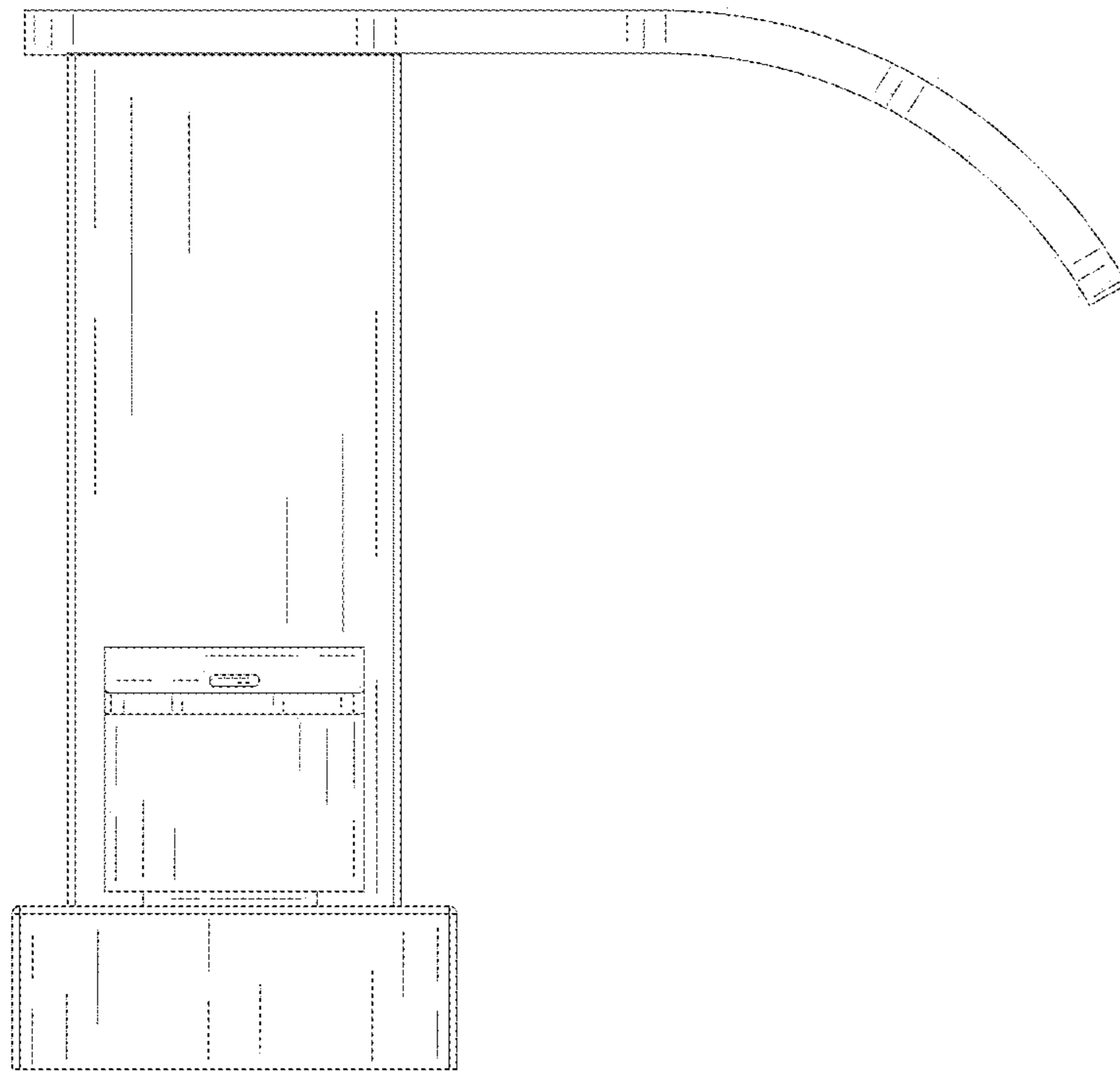


FIG. 5

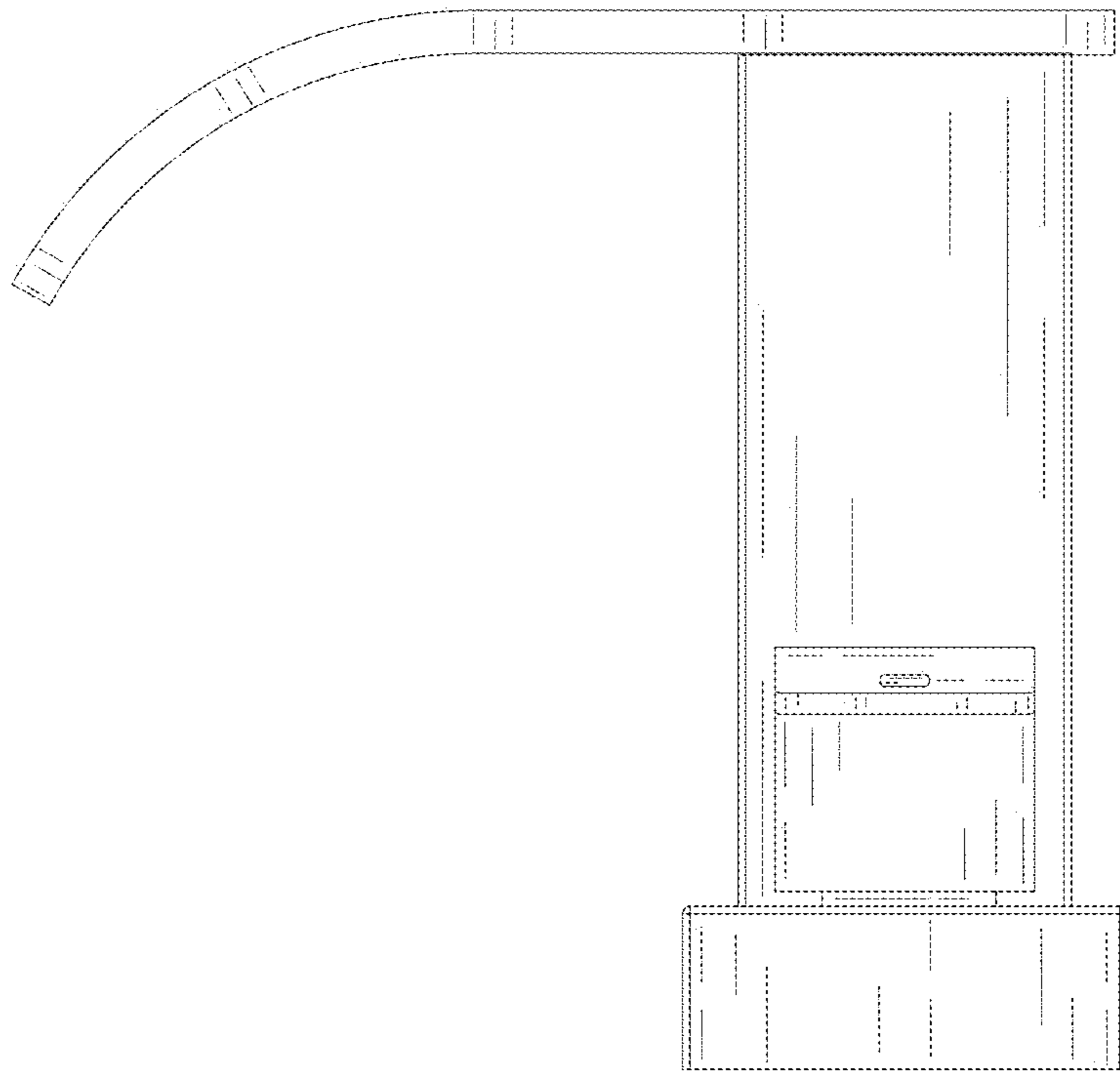


FIG. 6

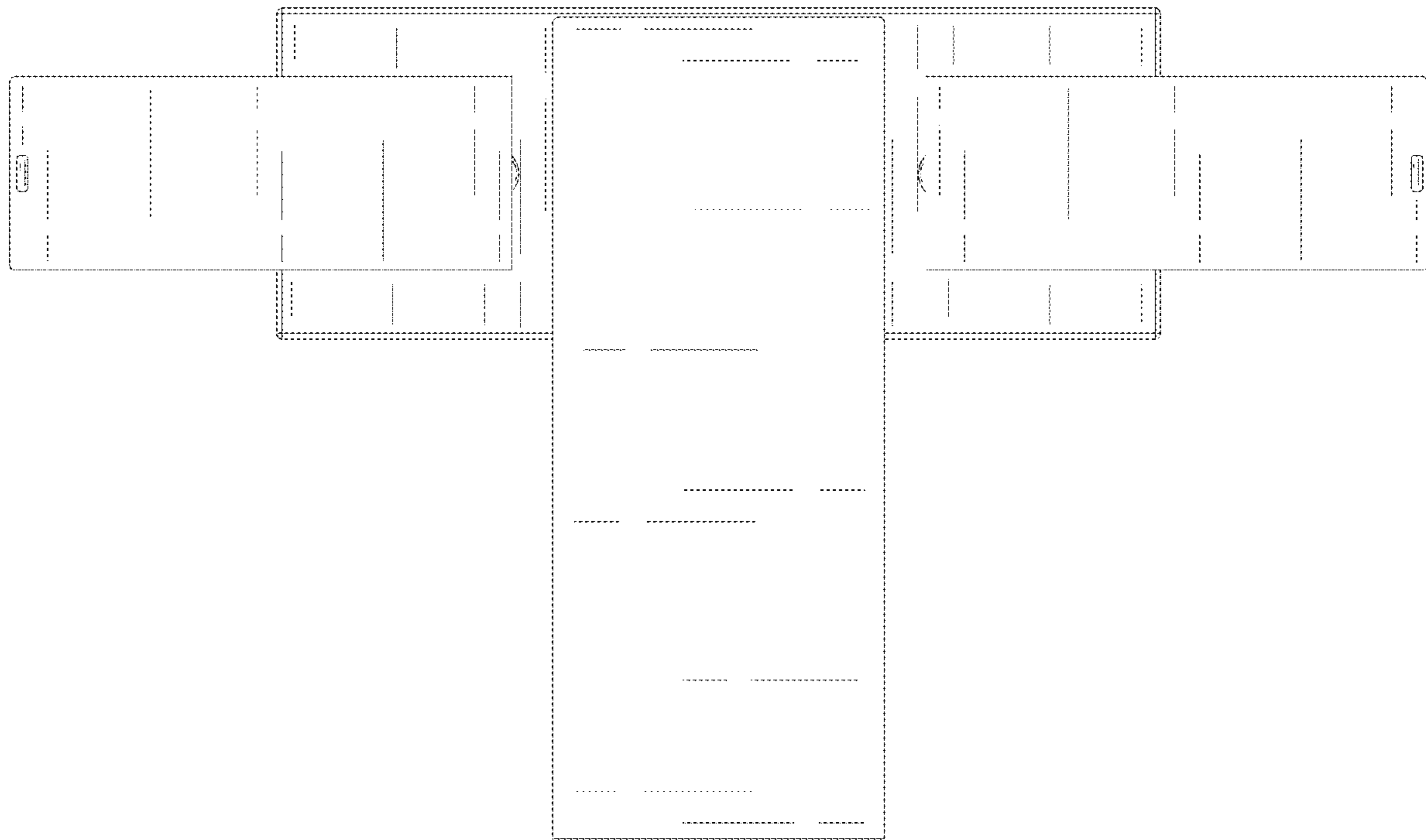


FIG. 7

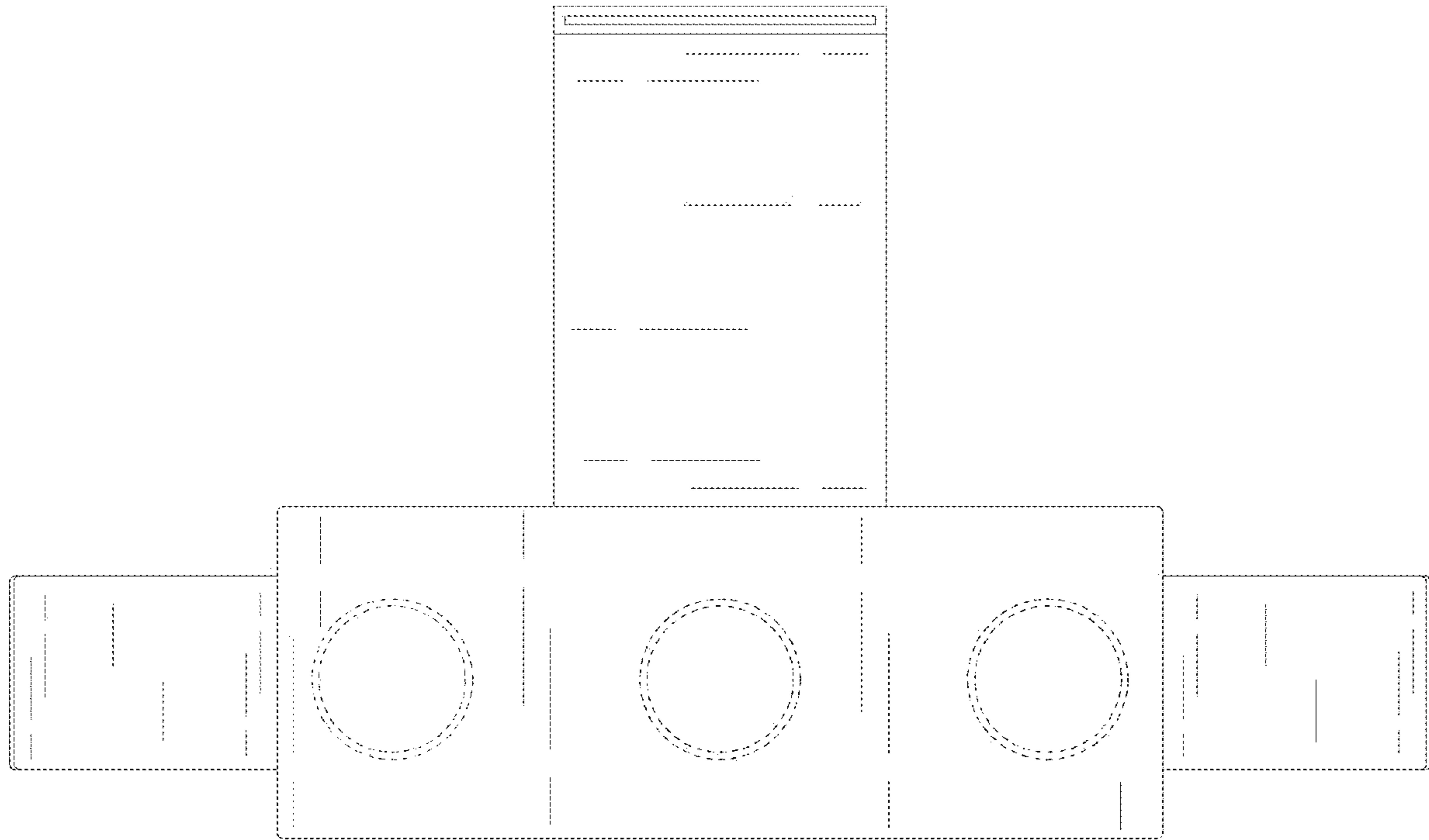


FIG. 8