



US00D968572S

(12) **United States Design Patent**
Wang

(10) **Patent No.:** **US D968,572 S**

(45) **Date of Patent:** **** Nov. 1, 2022**

(54) **FAUCET**

(71) Applicant: **Kaihua Wang**, Neijiang (CN)

(72) Inventor: **Kaihua Wang**, Neijiang (CN)

(**) Term: **15 Years**

(21) Appl. No.: **29/845,143**

(22) Filed: **Jul. 5, 2022**

(51) **LOC (13) Cl.** **23-01**

(52) **U.S. Cl.**
USPC **D23/241**

(58) **Field of Classification Search**
USPC D23/238, 241-243, 249-250, 252, 254;
D8/307-308, 352

See application file for complete search history.

(56) **References Cited**

U.S. PATENT DOCUMENTS

D735,298 S *	7/2015	Eads	D23/238
9,481,985 B1 *	11/2016	Chen	E03C 1/0412
9,551,136 B2 *	1/2017	Keiter	E03C 1/048
D863,506 S *	10/2019	Hayner	D23/238
D905,204 S *	12/2020	Zhang	D23/238
D913,441 S *	3/2021	He	D23/238
D919,052 S *	5/2021	He	D23/238
D930,791 S *	9/2021	Williams	D23/238
D940,278 S	1/2022	Stoler et al.		
D954,183 S	6/2022	Para		
2022/0136224 A1 *	5/2022	Yan	E03C 1/0403 4/623

OTHER PUBLICATIONS

Rohl Pirellone 1.8 GPM Single Hole Pull Down Kitchen Faucet:
<https://www.build.com/rohl-cy6571-2/s1720606?uid=4067363#over-view> (Year: 2020).*

Touchless Kitchen Faucet with Pull Down Sprayer: https://www.amazon.com/dp/B08KG98YJV/ref=sspa_dk_detail_6?pd_rd_i=B08KG98YJV&pd_rd_w=W7uGr&contentid=amzn1.sym.ea4fd32b-1001-4f9b-9dd5-0bce86fe8110&pf_rd_p=ea4fd32b-1001-4f9b-9dd5-0bce86fe8110&pf_rd_r=EAF3W3TEVENZC4AMCZN2&pd_rd_wg=Sw7Ek&pd_rd_r=ed1ced4a-bd8a-435c-b0c5-06468f32481a&s=hi&sp_csd=d (Year: 2020).*

* cited by examiner

Primary Examiner — Robert A Delehanty

(74) *Attorney, Agent, or Firm* — Georgi Korobanov

(57) **CLAIM**

The ornamental design for a faucet, as shown and described.

DESCRIPTION

FIG. 1 is a perspective view of a faucet, showing my new design;

FIG. 2 is another perspective view thereof;

FIG. 3 is a front view thereof;

FIG. 4 is a rear view thereof;

FIG. 5 is a left side view thereof;

FIG. 6 is a right side view thereof;

FIG. 7 is a top plan view thereof;

FIG. 8 is a bottom plan thereof;

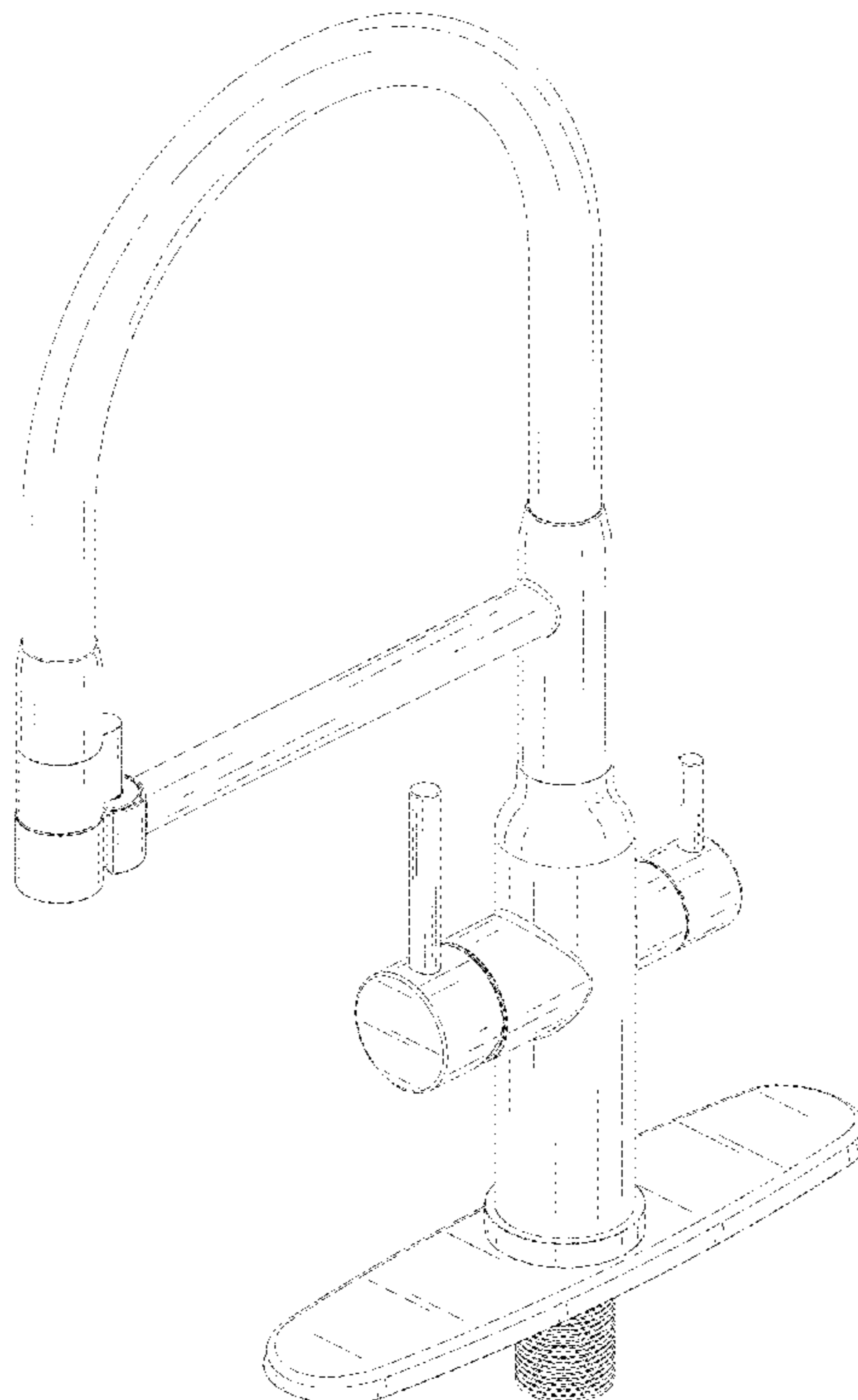
FIG. 9 is an enlarged view of portion 9 shown in FIG. 2;

FIG. 10 is an enlarged view of portion 10 shown in FIG. 2; and,

FIG. 11 is a perspective view of the design in an open status.

The broken line showing of the faucet is for the purpose of illustrating article and forms no part of the claimed design.

1 Claim, 11 Drawing Sheets



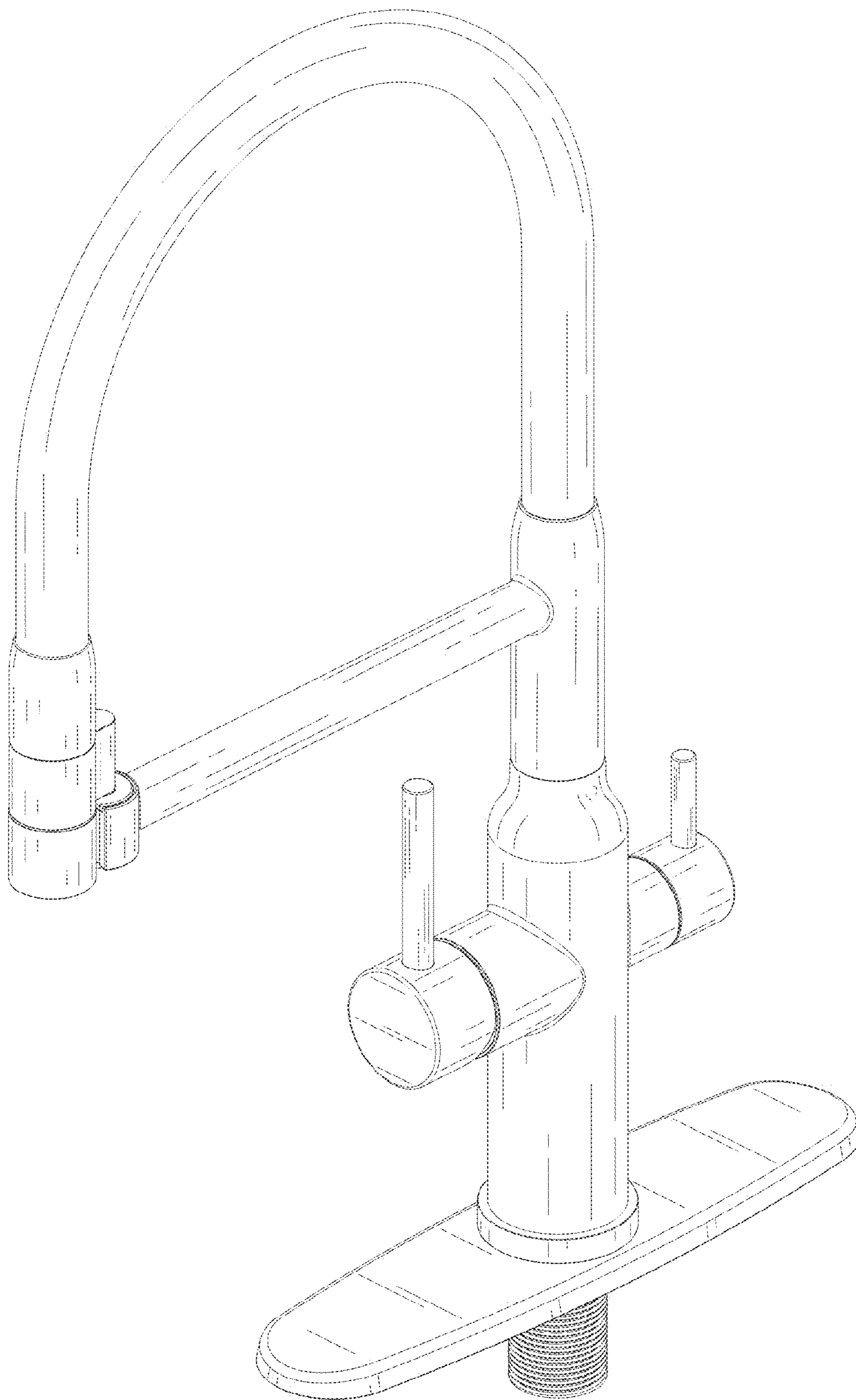


FIG. 1

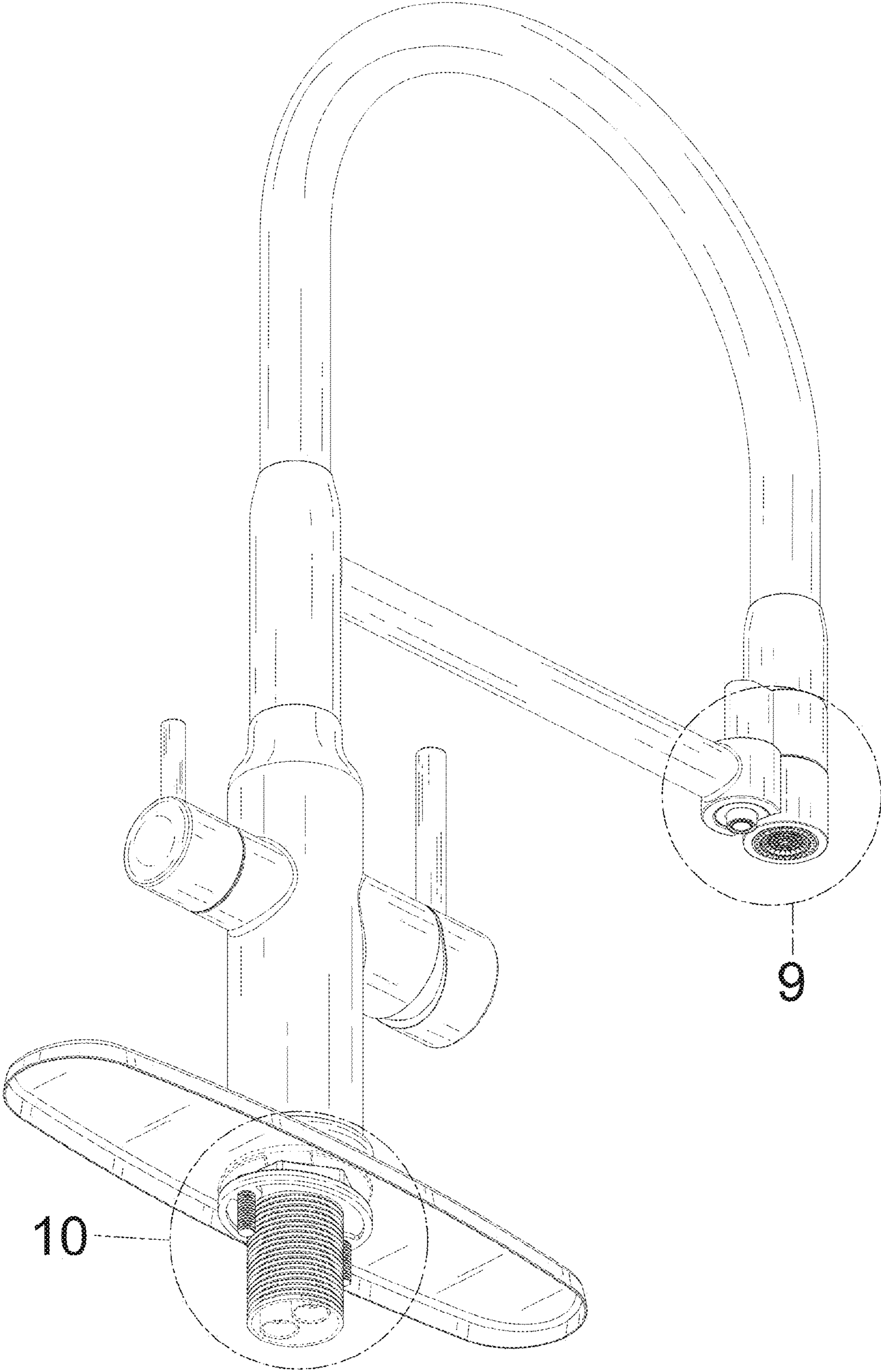


FIG. 2

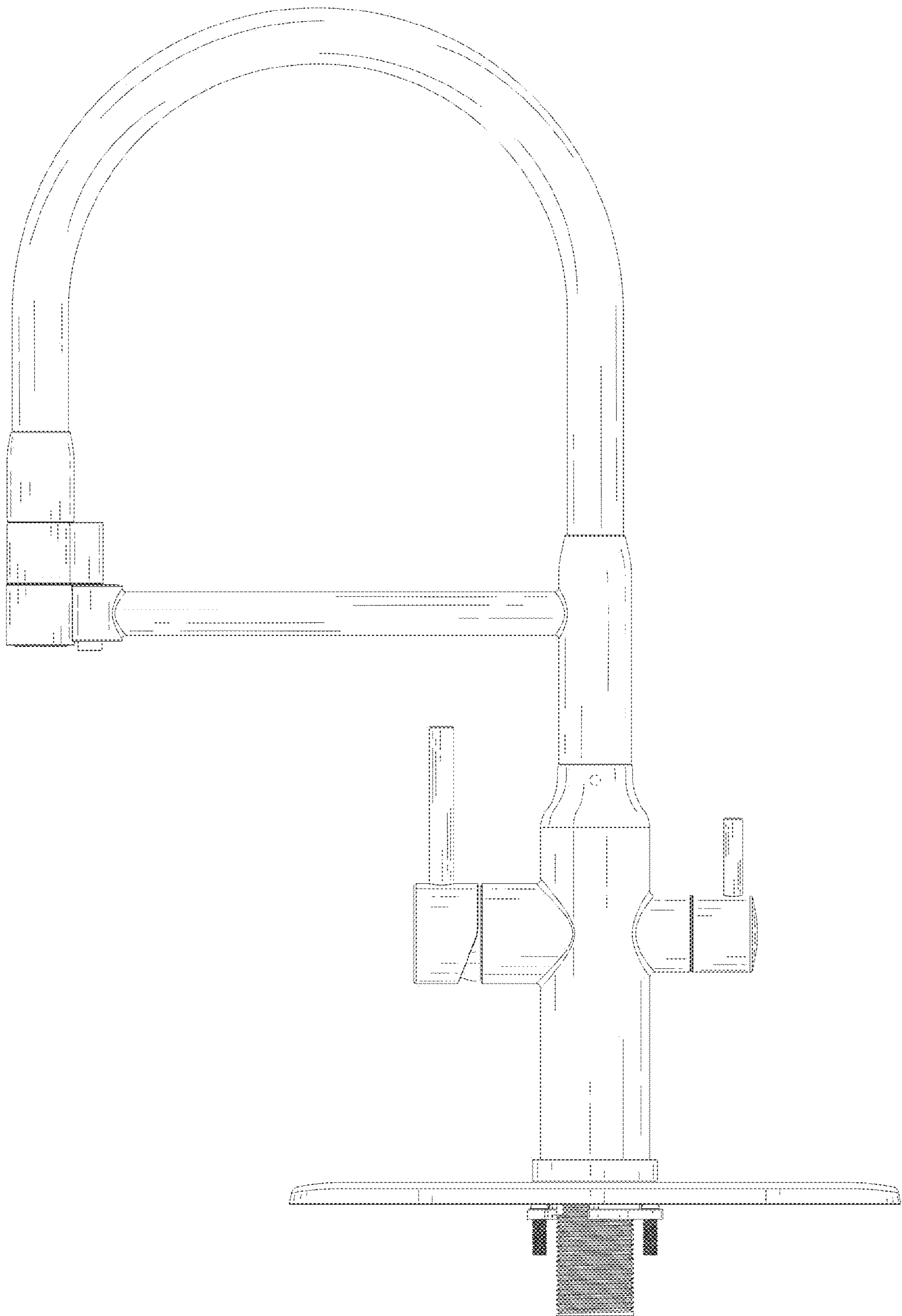


FIG. 3

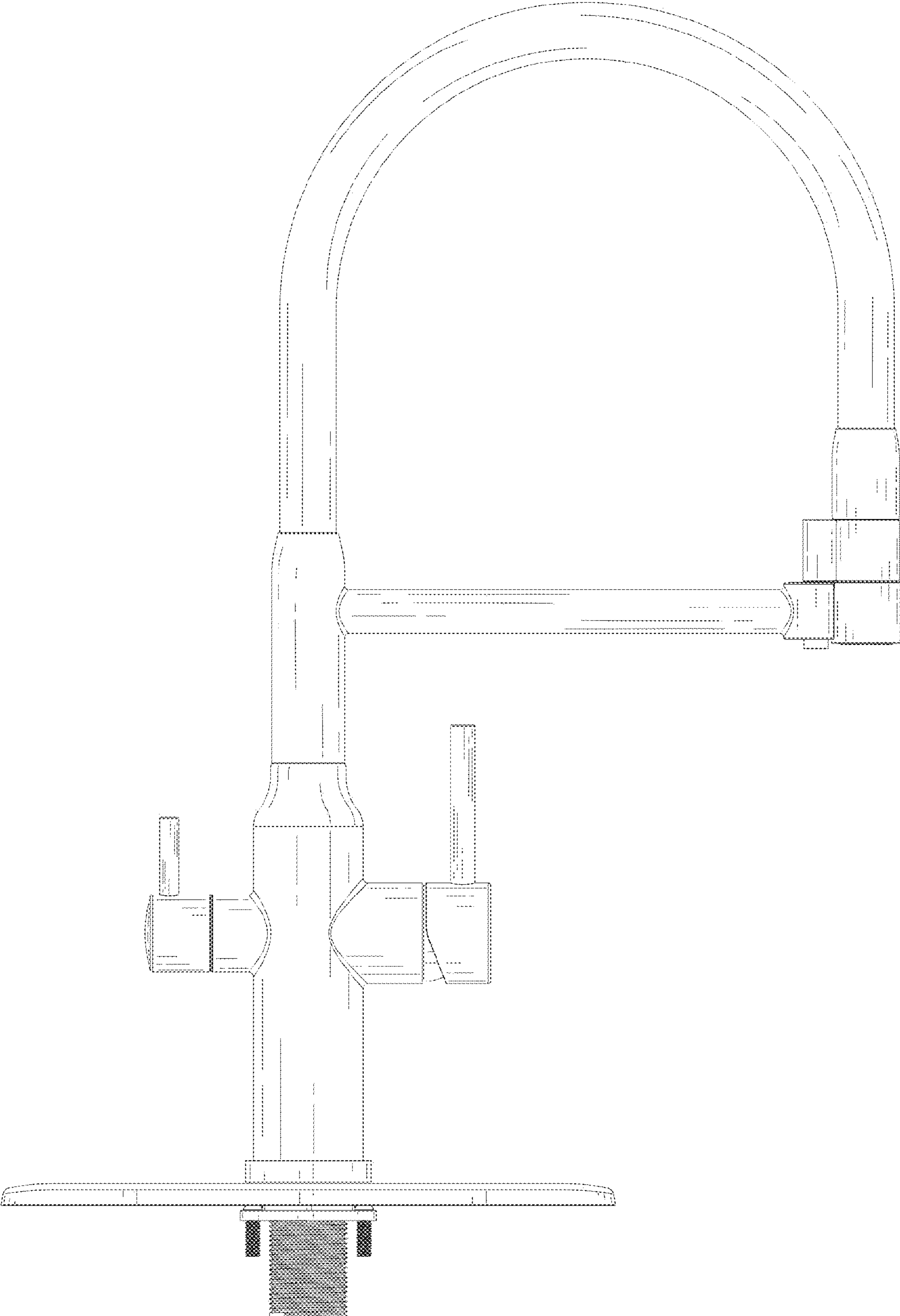


FIG. 4

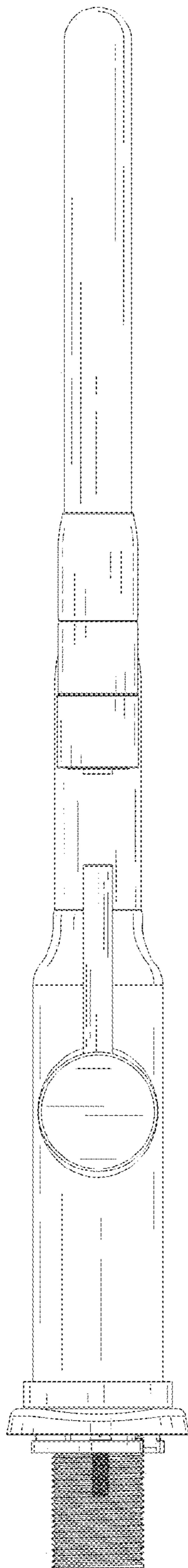


FIG. 5

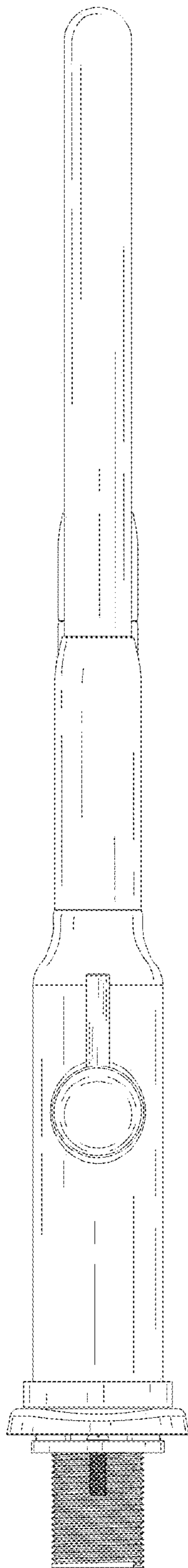


FIG. 6

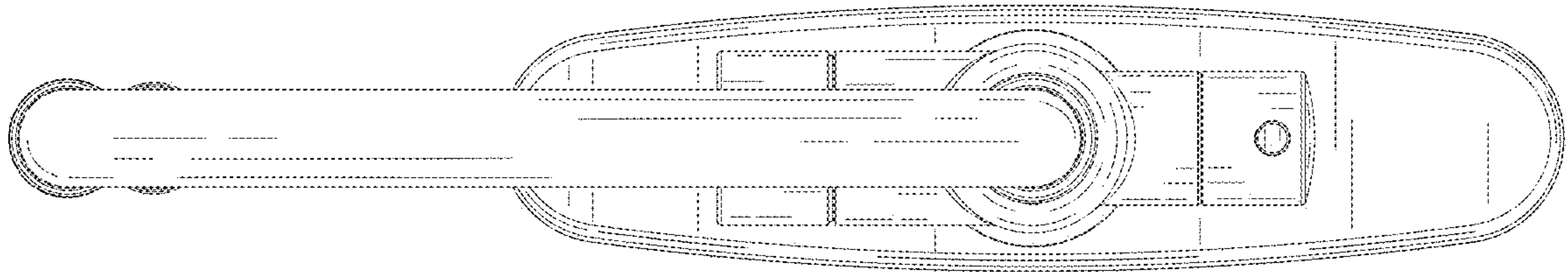


FIG. 7

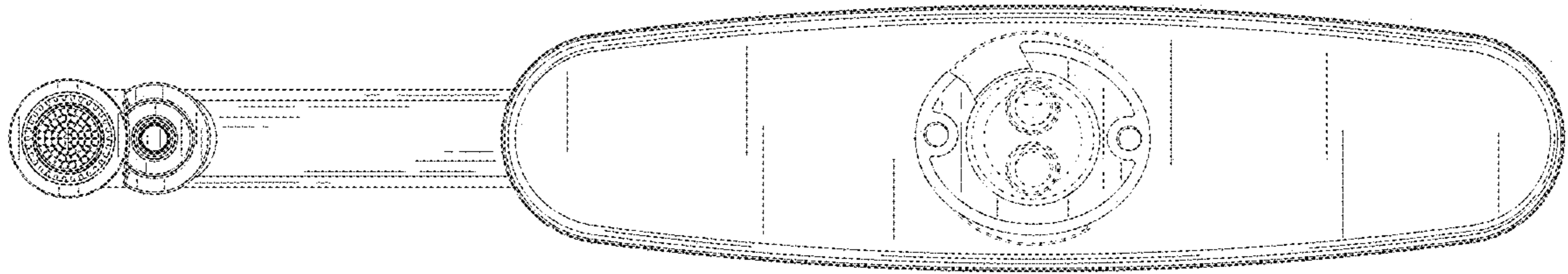


FIG. 8

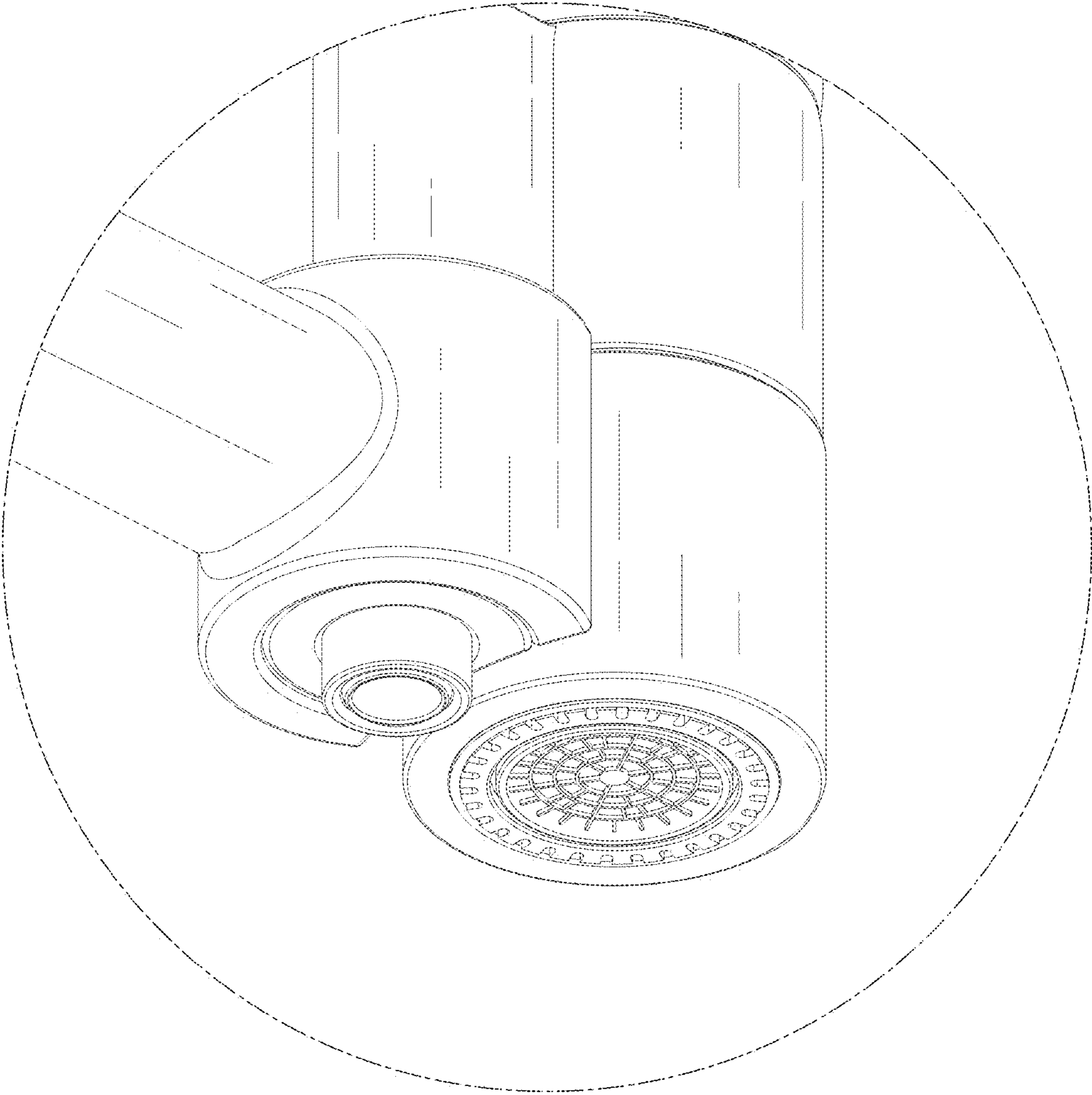


FIG. 9

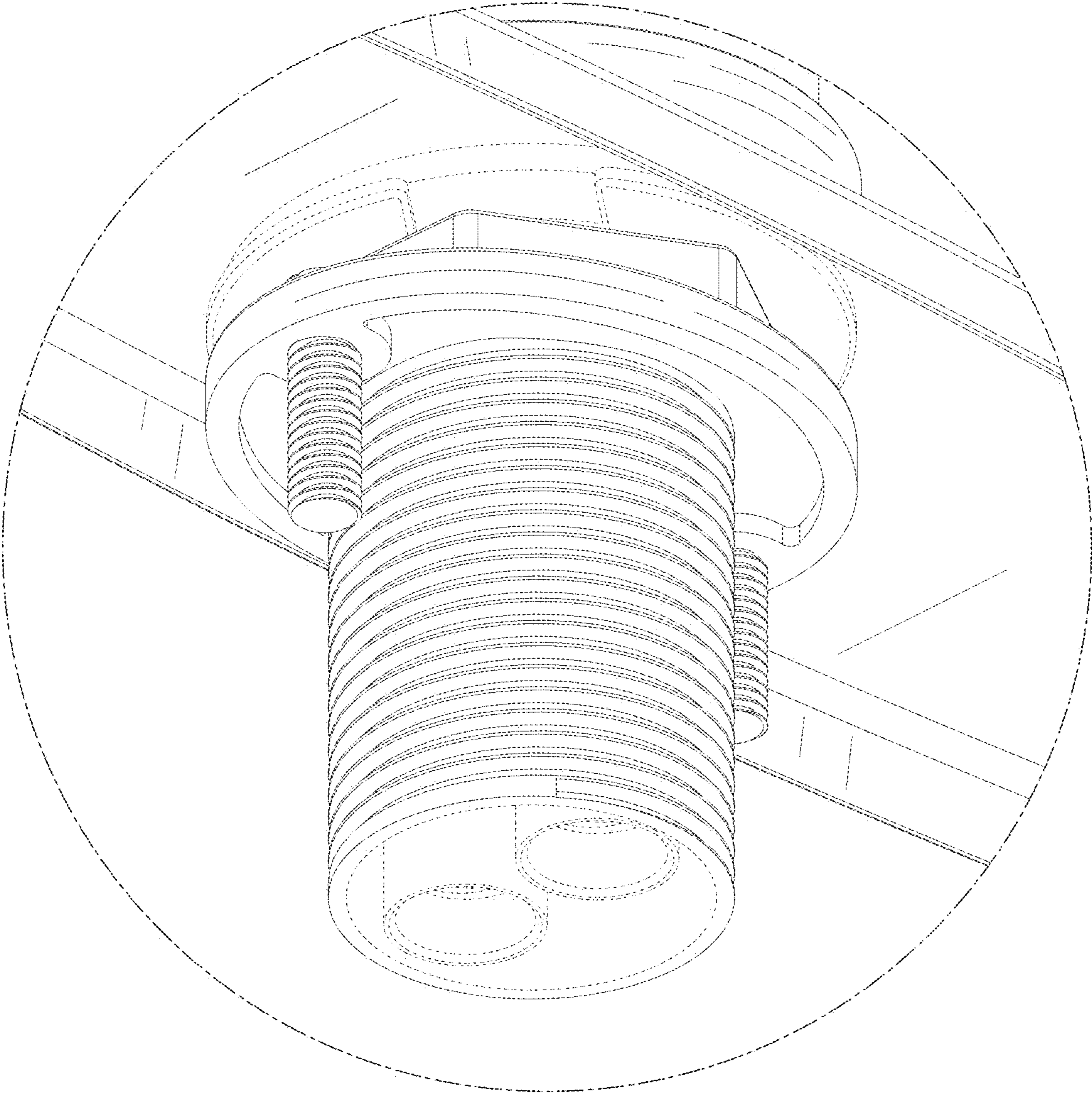


FIG. 10

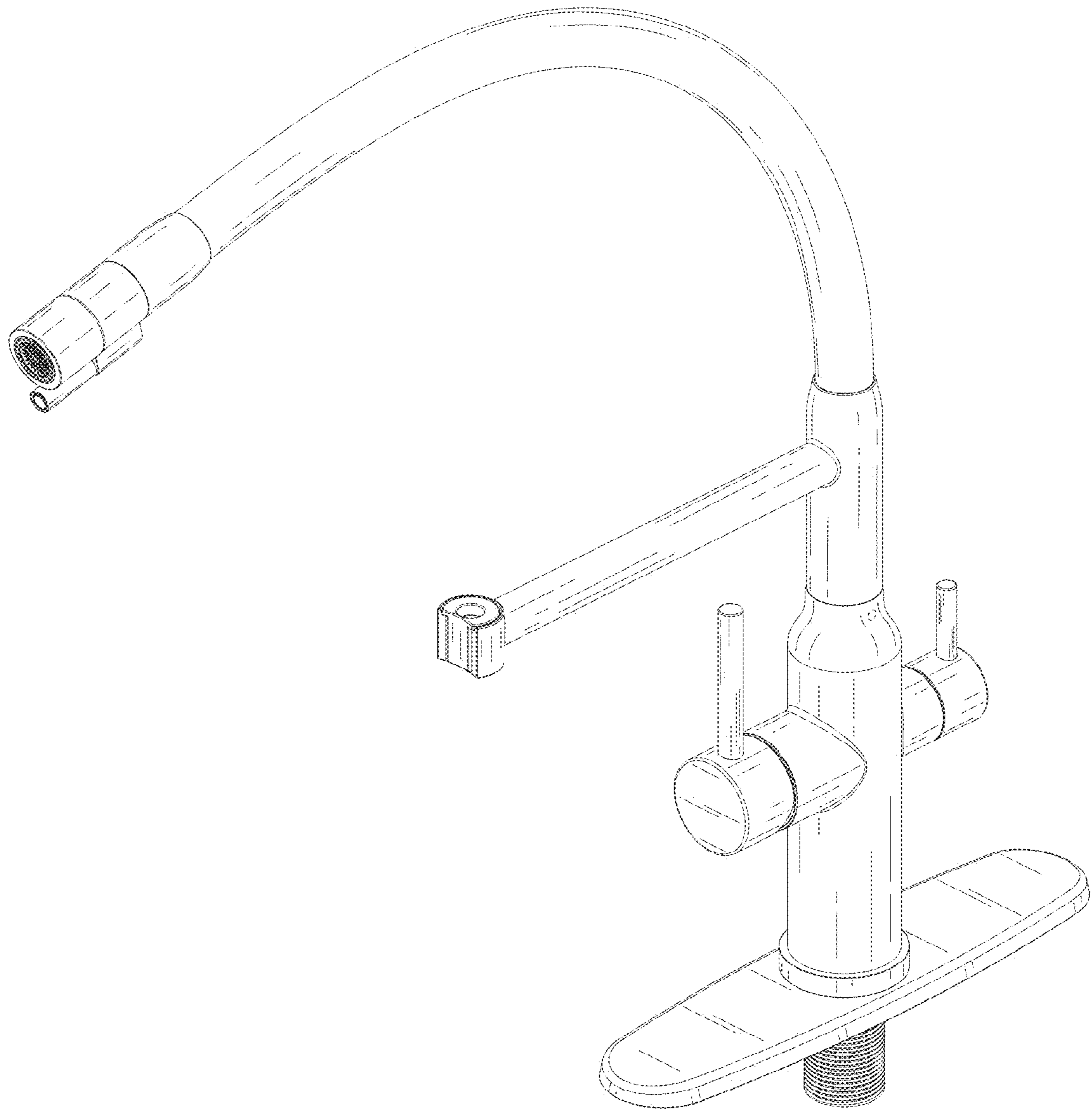


FIG. 11