



US00D968571S

(12) **United States Design Patent** (10) **Patent No.:** **US D968,571 S**
Komatsuzaki et al. (45) **Date of Patent:** **** Nov. 1, 2022**

(54) **FLOW CONTROL VALVE**
 (71) Applicant: **SMC CORPORATION**, Tokyo (JP)
 (72) Inventors: **Hisashi Komatsuzaki**, Moriya (JP);
Motohiro Soutome, Ayase (JP);
Koichiro Furuta, Tsukubamirai (JP)
 (73) Assignee: **SMC CORPORATION**, Tokyo (JP)
 (**) Term: **15 Years**
 (21) Appl. No.: **29/728,108**
 (22) Filed: **Mar. 16, 2020**

D809,110 S * 1/2018 Nahum D23/259
 D838,812 S 1/2019 Komatsuzaki et al.
 D838,813 S 1/2019 Komatsuzaki et al.

FOREIGN PATENT DOCUMENTS

CN 302651839 S 11/2013

* cited by examiner

Primary Examiner — Gino Colan

(74) *Attorney, Agent, or Firm* — Birch, Stewart, Kolasch & Birch, LLP

(30) **Foreign Application Priority Data**

Sep. 25, 2019 (JP) 2019-021330

(51) **LOC (13) Cl.** **23-01**

(52) **U.S. Cl.**
USPC **D23/235**

(58) **Field of Classification Search**
USPC D23/233–250, 259, 262, 263
CPC F16K 27/0263; F16K 31/0603
See application file for complete search history.

(56) **References Cited**

U.S. PATENT DOCUMENTS

D541,379 S * 4/2007 Nortier D23/233
 D743,004 S * 11/2015 Knight D23/259
 D794,166 S 8/2017 Komatsuzaki et al.
 D800,258 S 10/2017 Komatsuzaki et al.
 D802,098 S * 11/2017 Hofmann D23/249

(57) **CLAIM**

The ornamental design for a flow control valve, as shown and described.

DESCRIPTION

FIG. 1 is a front, top and right side perspective view of a flow control valve showing our new design;
 FIG. 2 is a rear, bottom and left side perspective view thereof;
 FIG. 3 is a front view thereof;
 FIG. 4 is a rear view thereof;
 FIG. 5 is a top plan view thereof;
 FIG. 6 is a bottom plan view thereof;
 FIG. 7 is a left side view thereof;
 FIG. 8 is a right side view thereof; and,
 FIG. 9 is a sectional view taken along the line 9-9 of FIG. 5.

1 Claim, 9 Drawing Sheets

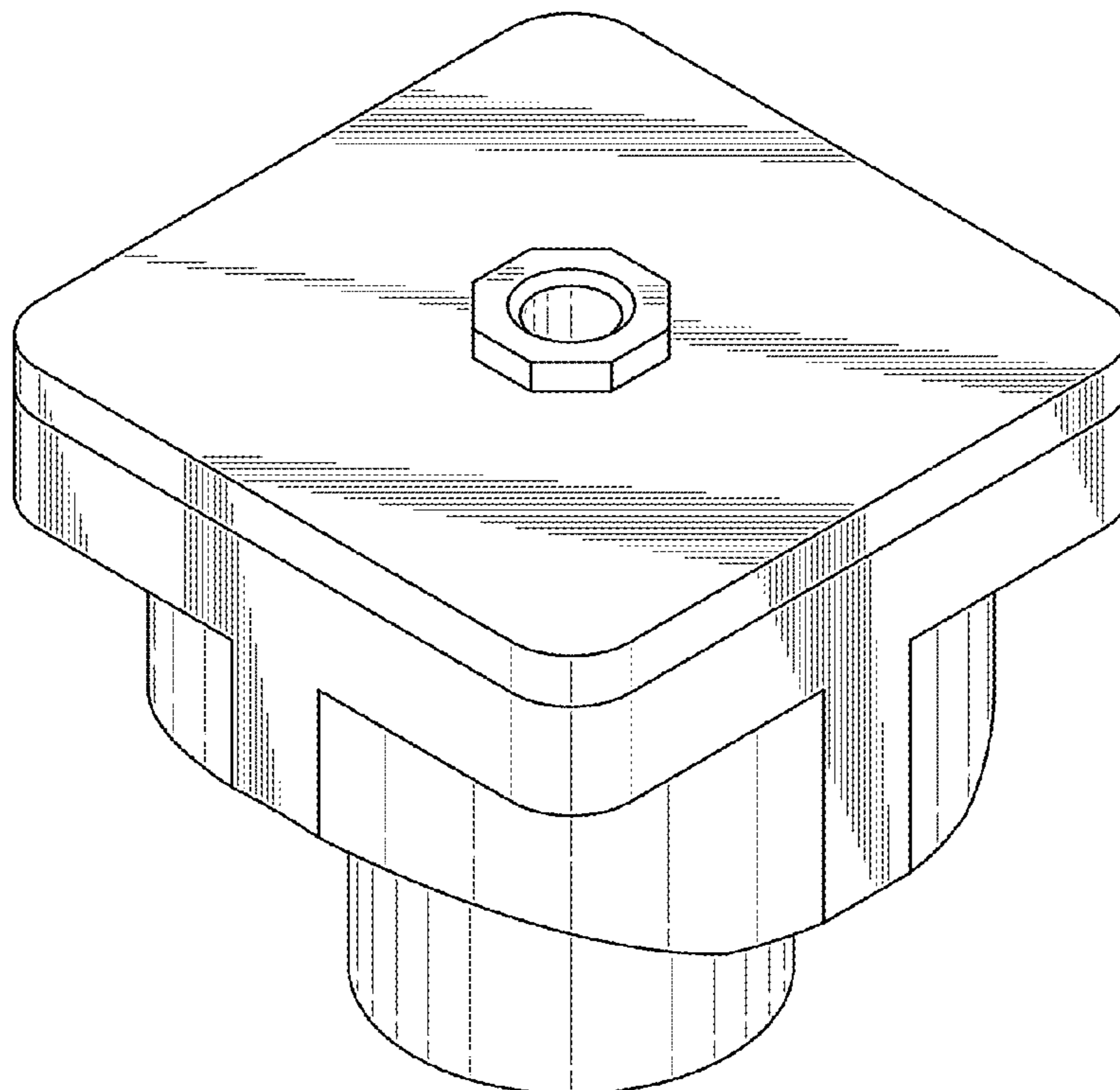


FIG. 1

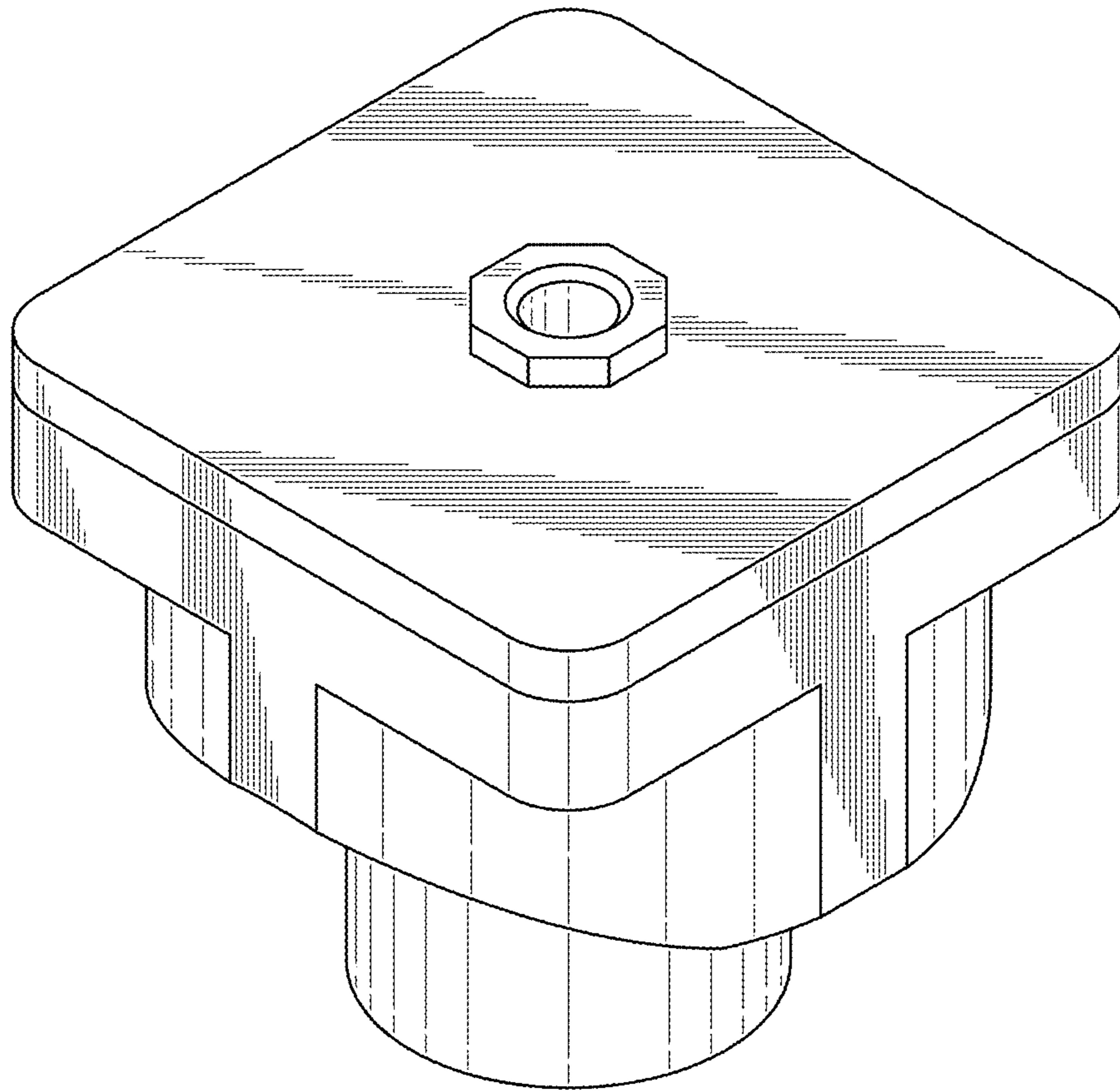


FIG. 2

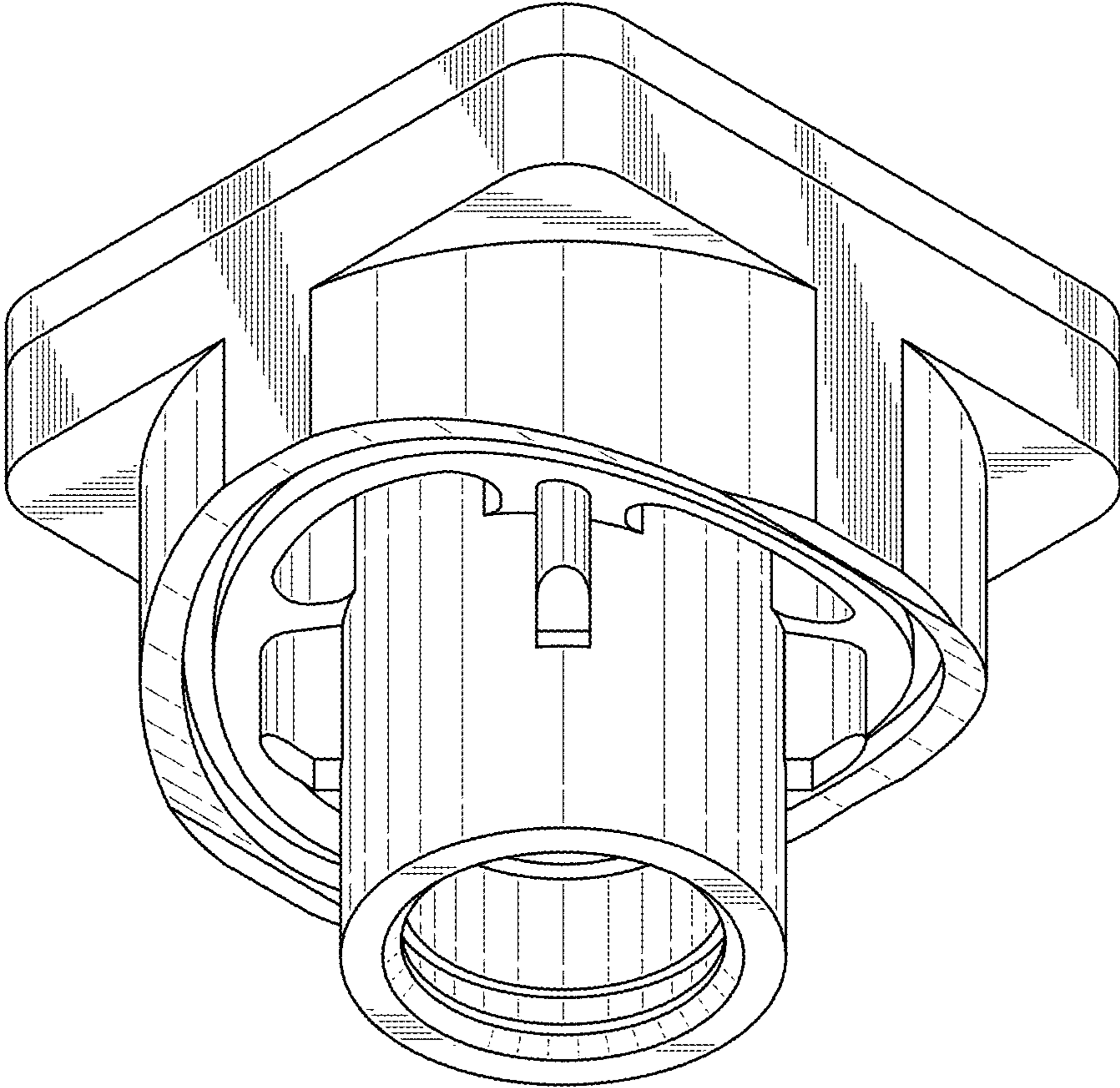


FIG. 3

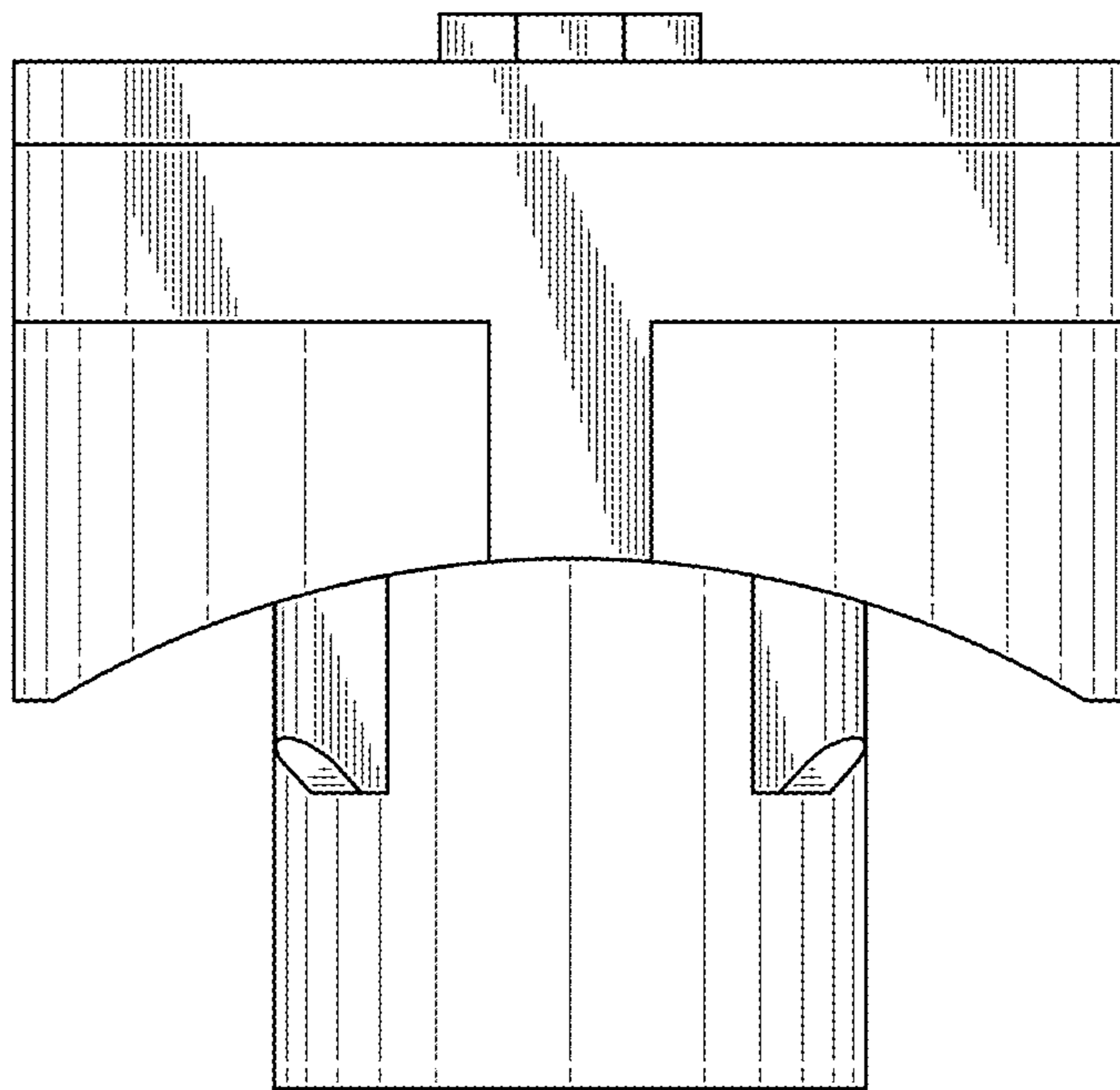


FIG. 4

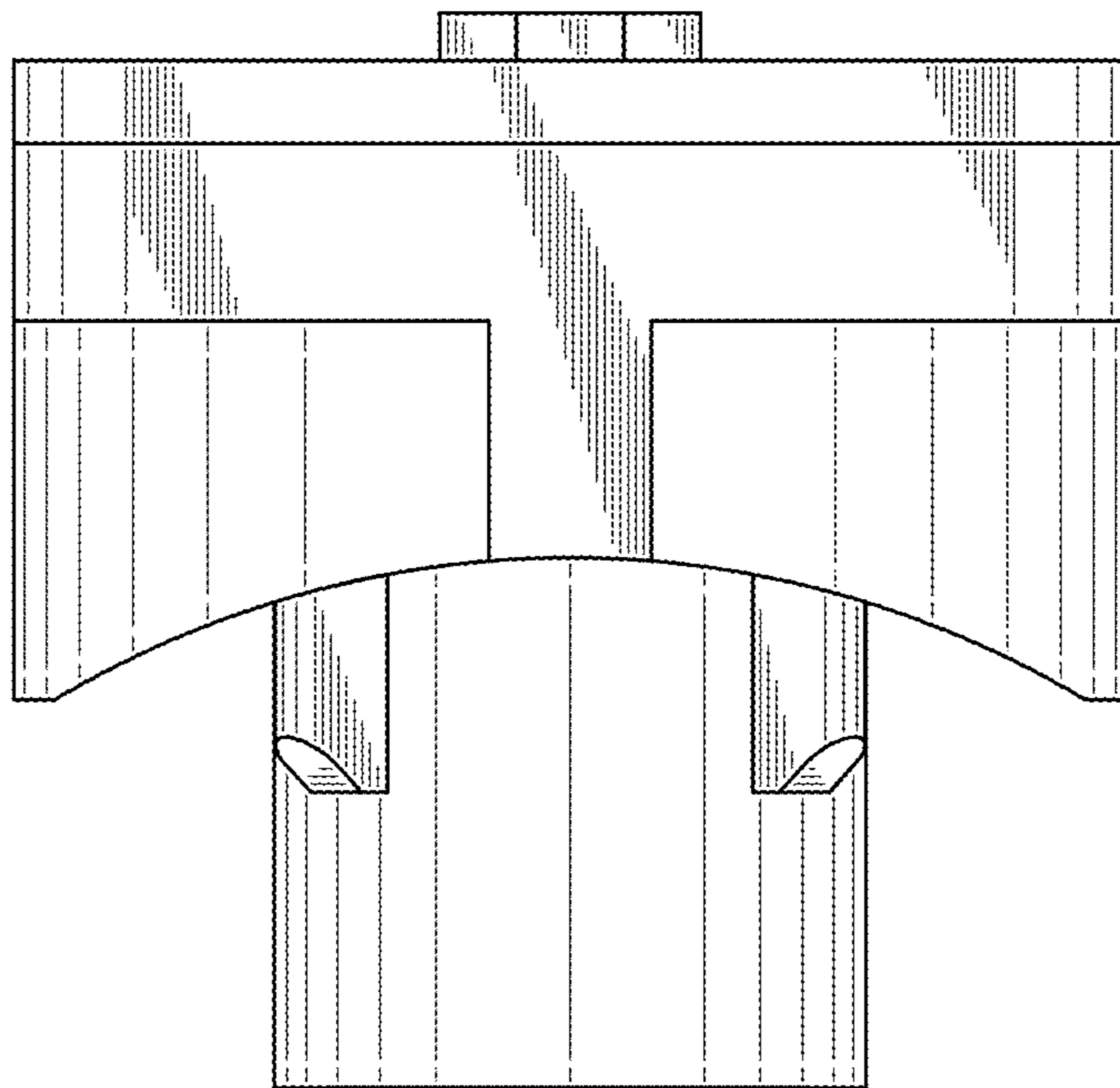


FIG. 5

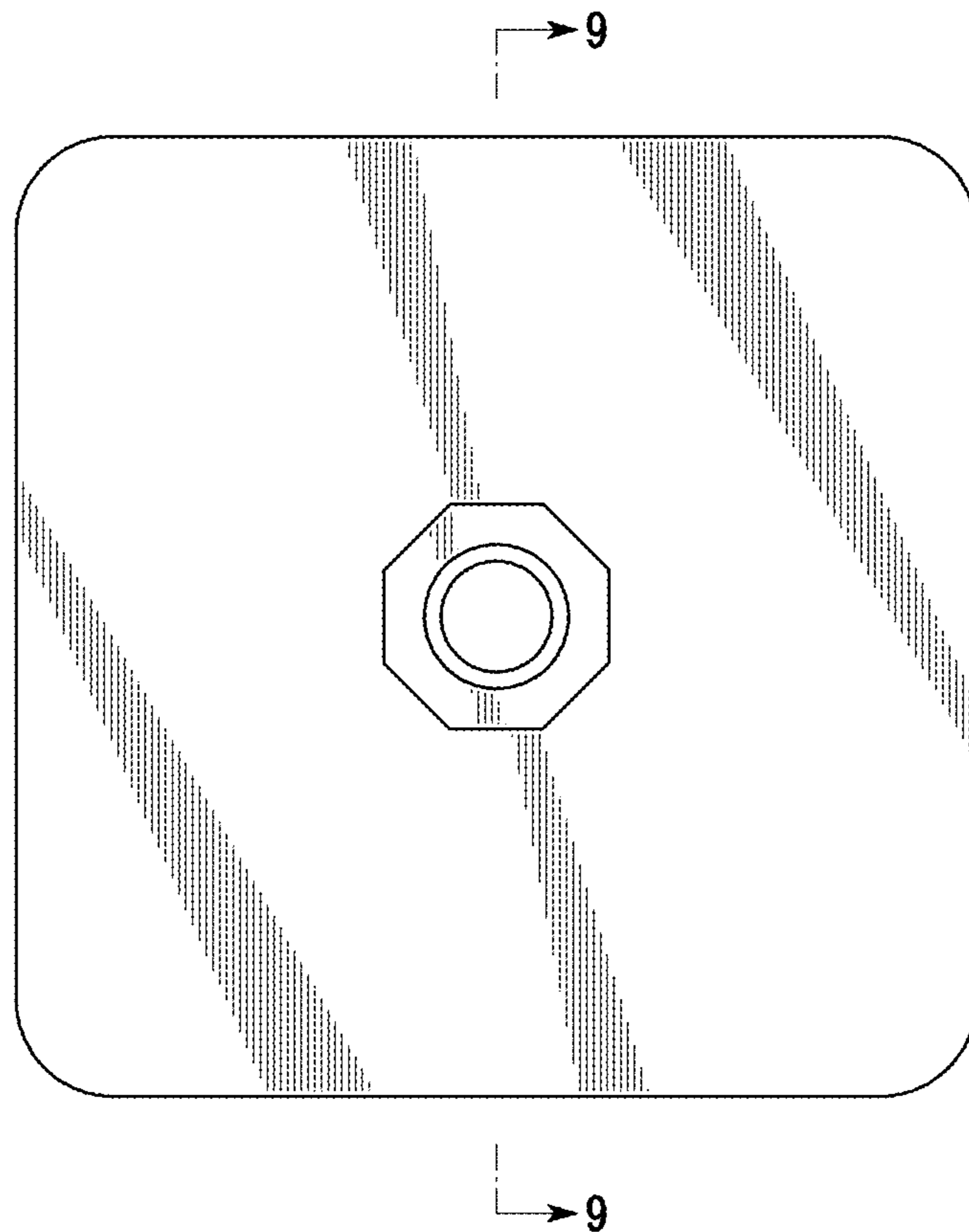


FIG. 6

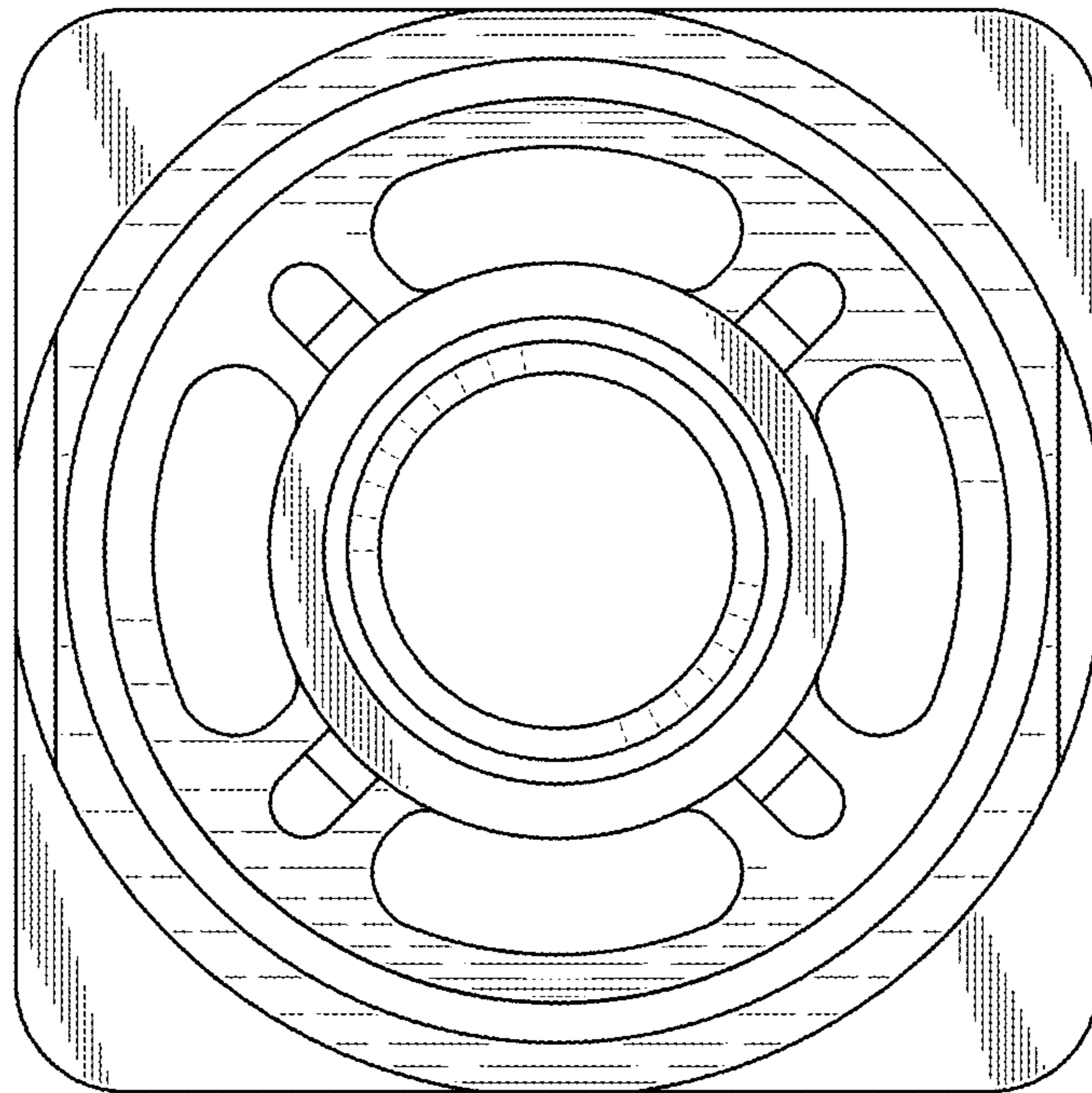


FIG. 7

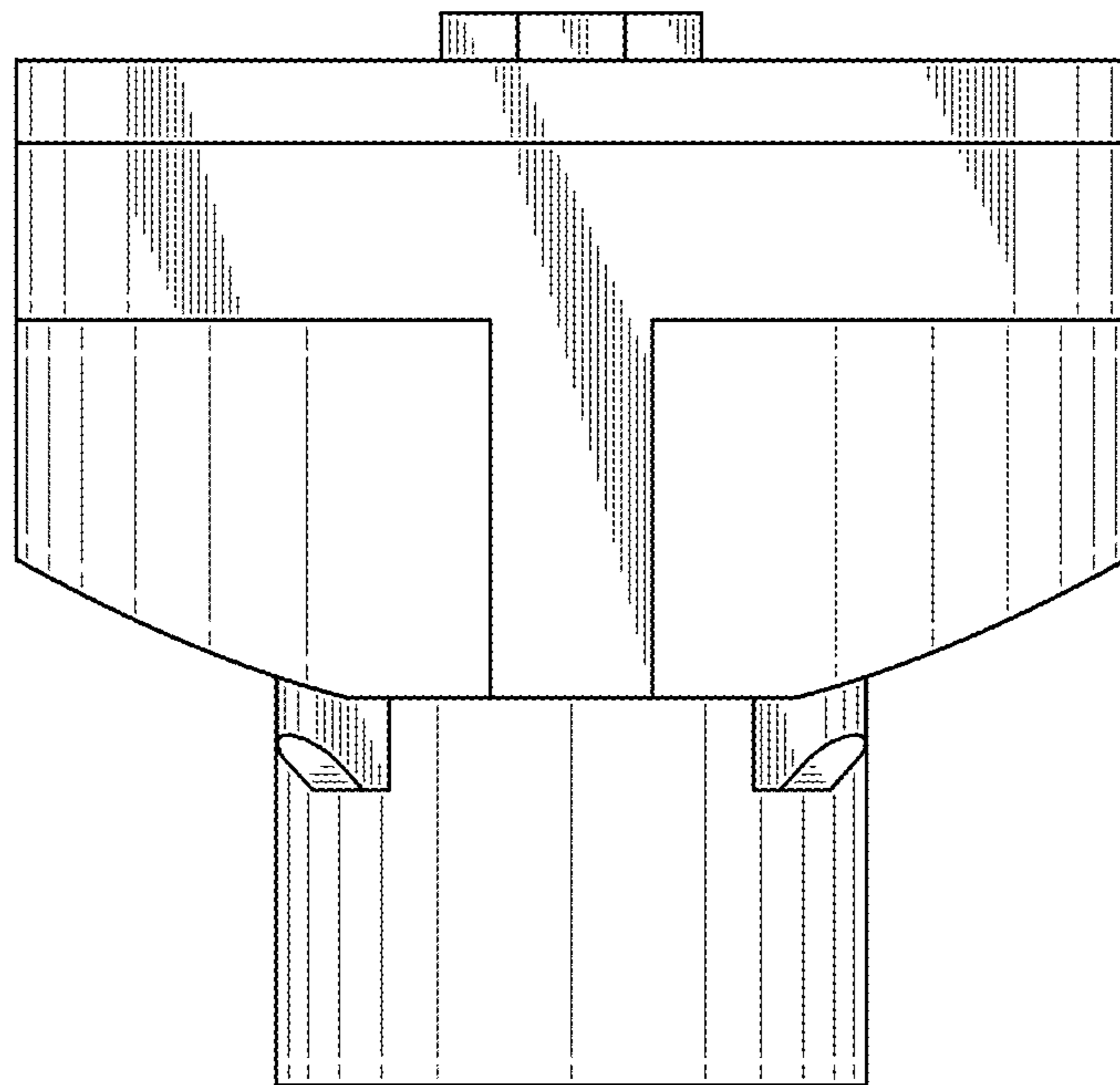


FIG. 8

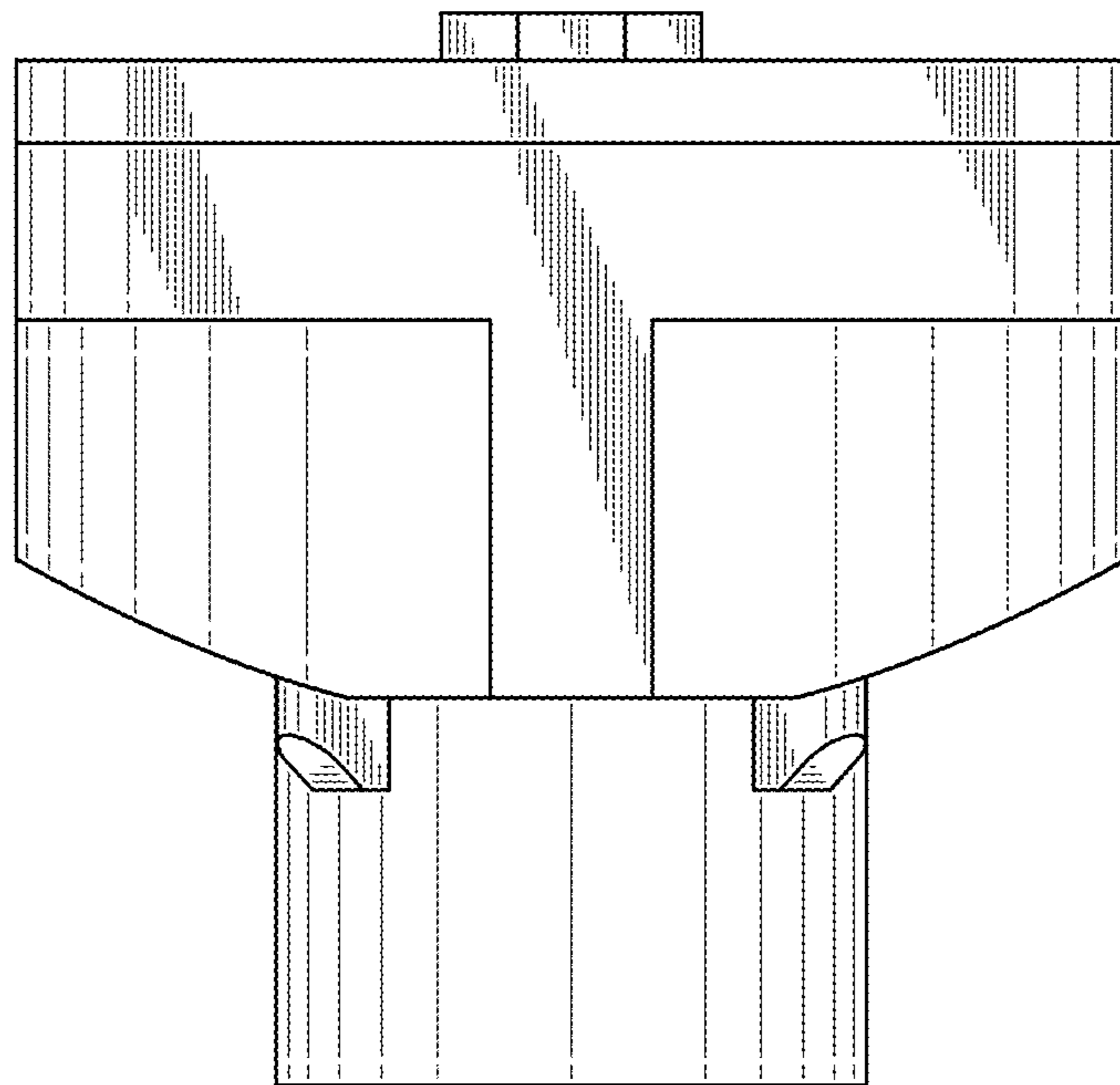


FIG. 9

