



US00D968570S

(12) **United States Design Patent** (10) **Patent No.:** **US D968,570 S**
Kaya (45) **Date of Patent:** **** Nov. 1, 2022**

(54) **VALVE**

(71) Applicant: **SMS TORK ENDÜSTRİYEL OTOMASYON ÜRÜNLERİ SANAYİ VE TİCARET LIMITED SİRKETİ, Istanbul (TR)**

(72) Inventor: **Ömer Kaya, Istanbul (TR)**

(73) Assignee: **SMS TORK ENDÜSTRİYEL OTOMASYON ÜRÜNLERİ SANAYİ VE TİCARET LIMITED SİRKETİ, Istanbul (TR)**

(**) Term: **15 Years**

(21) Appl. No.: **35/512,147**

(22) Filed: **Jan. 6, 2021**

(80) **Hague Agreement Data**

Int. Filing Date: **Jan. 6, 2021**

Int. Reg. No.: **DM/212162**

Int. Reg. Date: **Jan. 6, 2021**

Int. Reg. Pub. Date: **Jul. 9, 2021**

(51) **LOC (13) Cl.** **23-01**

(52) **U.S. Cl.**
USPC **D23/233**

(58) **Field of Classification Search**
USPC D23/233, 235-237; D10/46, 96-100
CPC G01F 1/06; G01F 1/44; G01F 1/68; G01F 1/6842; G01F 1/6845; G01F 15/14; F16K 1/38; F16K 1/52; F16K 31/383
See application file for complete search history.

(56) **References Cited**

U.S. PATENT DOCUMENTS

D332,822 S *	1/1993	Reid	D23/233
D439,311 S *	3/2001	Martin	D23/233
D625,390 S *	10/2010	Ambrosi	D23/237
D625,777 S *	10/2010	Loffler	D23/233
D692,983 S *	11/2013	Nissen	D23/233
D719,192 S *	12/2014	Schlenker	D15/7
D728,747 S *	5/2015	McLauchlan	D23/233
D825,717 S *	8/2018	Karibe	D23/233
D929,542 S *	8/2021	Okawara	D23/233

* cited by examiner

Primary Examiner — Keli L Hill

(74) *Attorney, Agent, or Firm* — Intellectual Property Law Group LLP

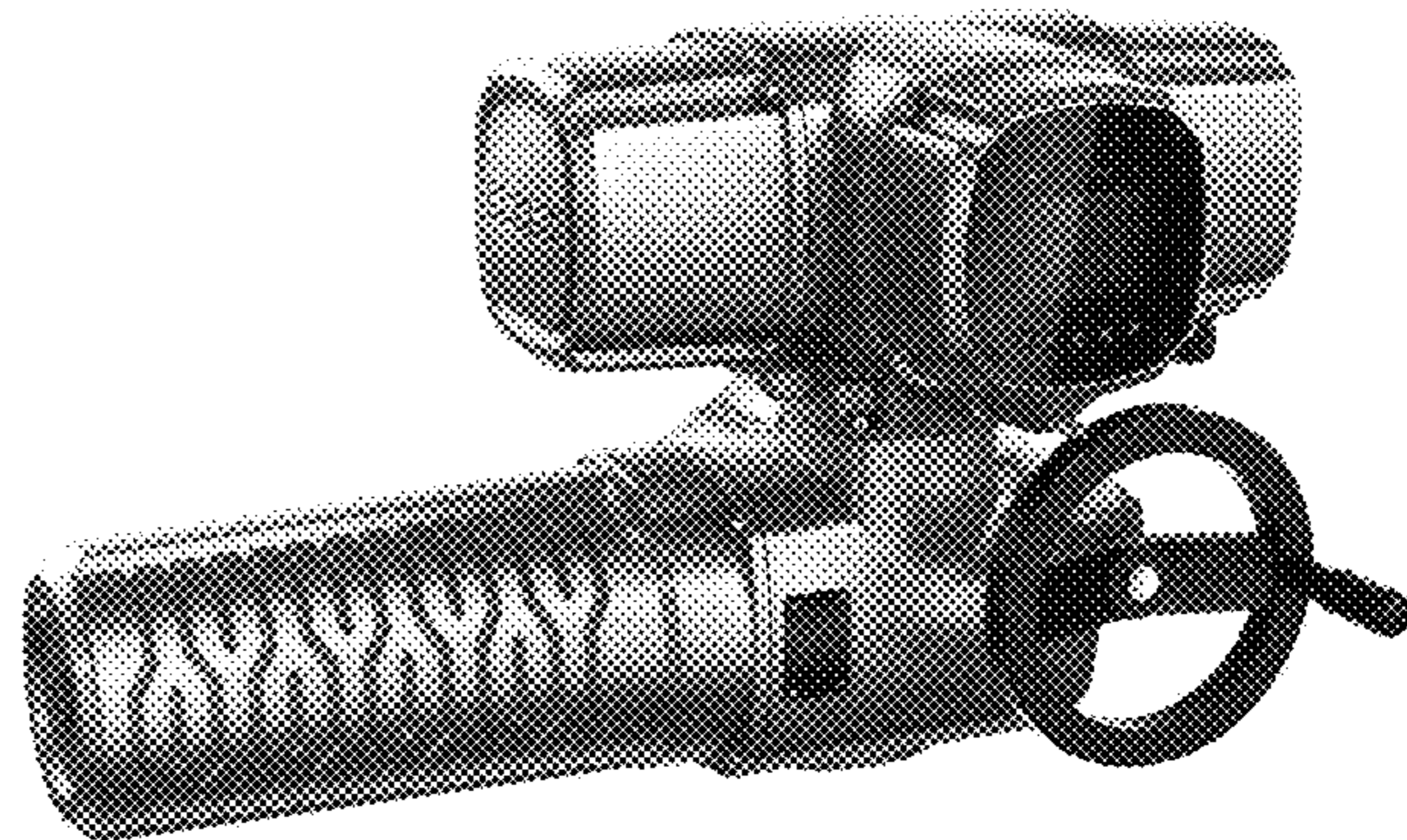
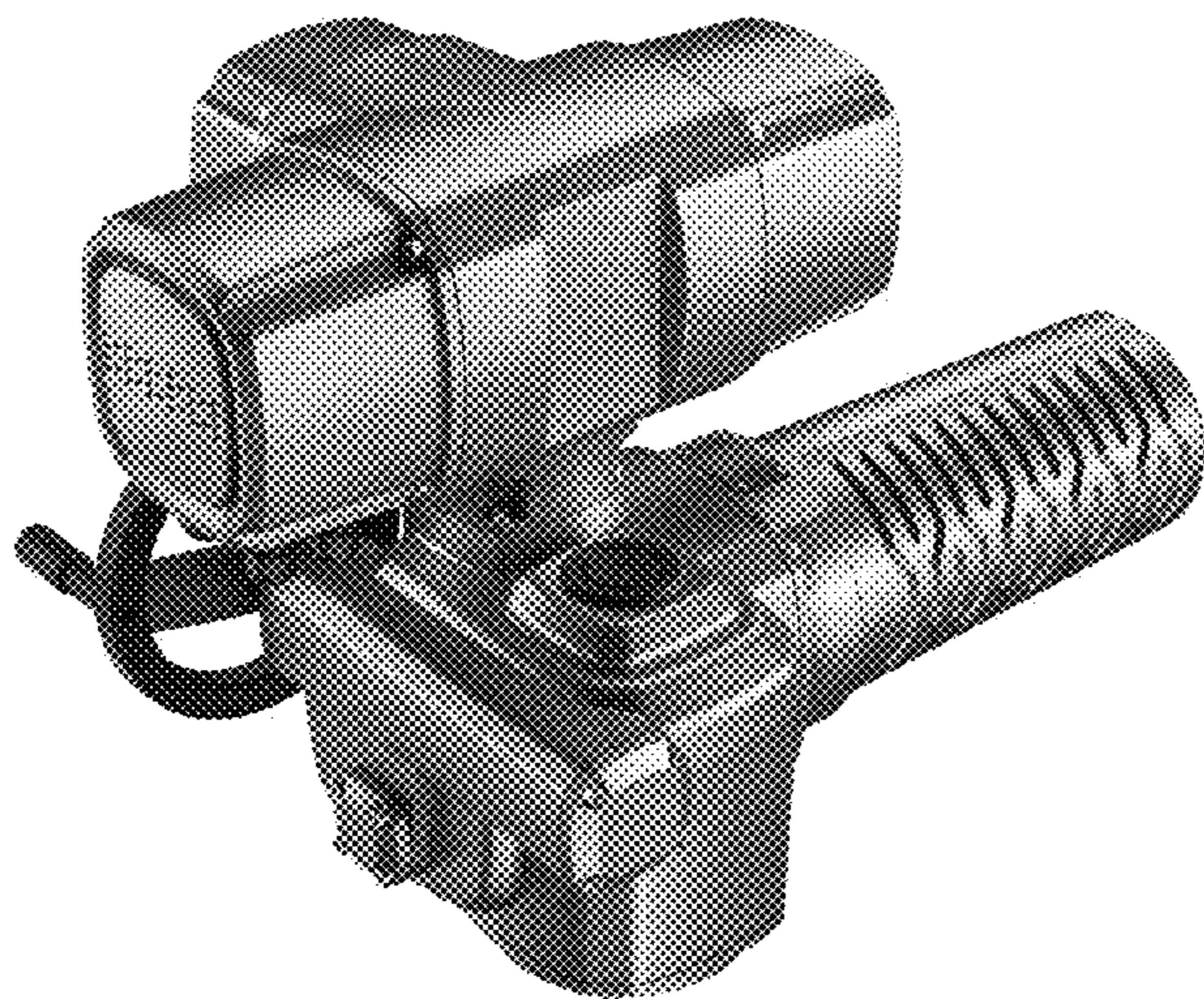
(57) **CLAIM**

The ornamental design for a valve, as shown and described.

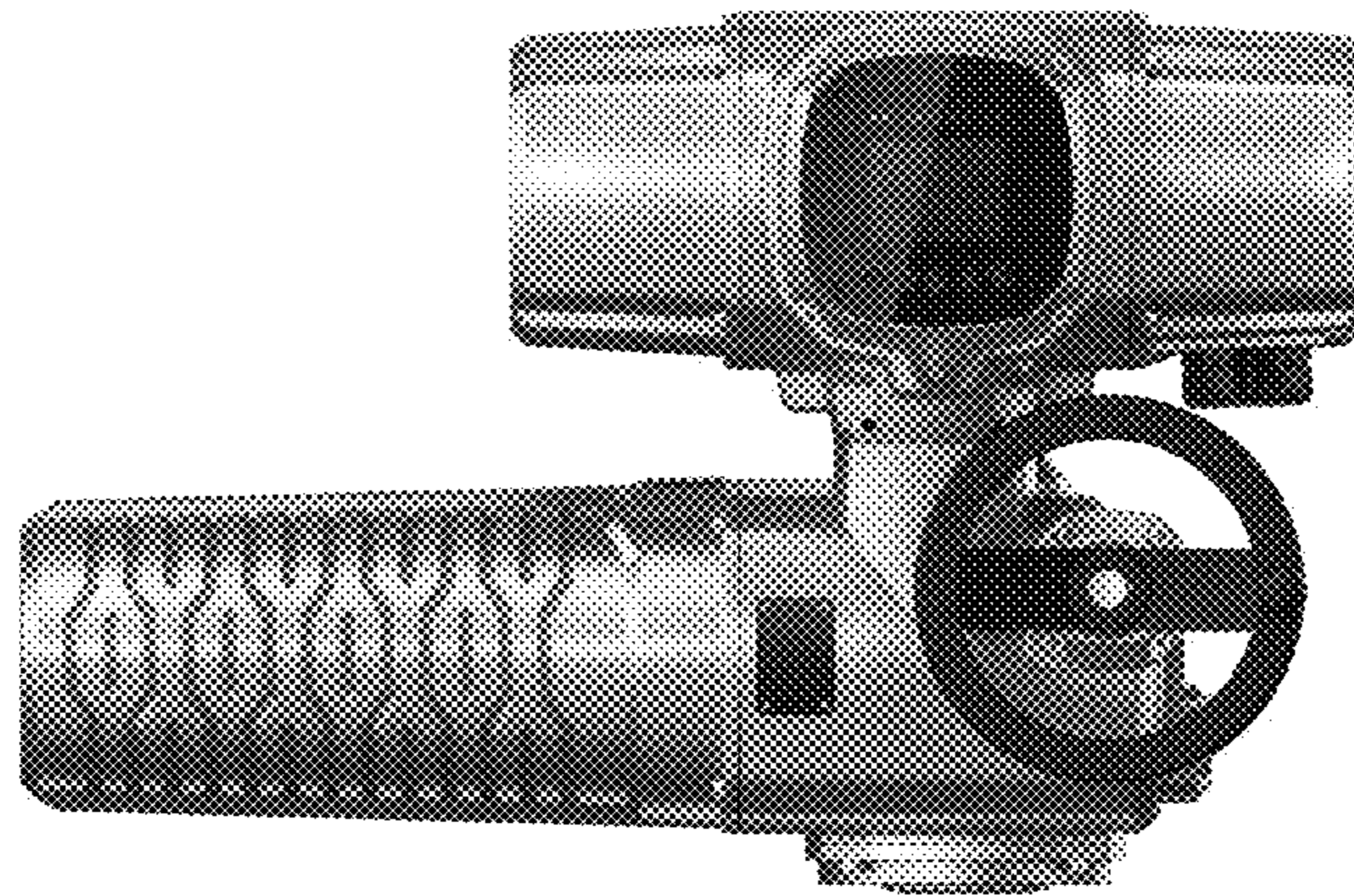
DESCRIPTION

- 1. Valve
- 1.1 is a right side elevation view.
- 1.2 is a top, rear and right side perspective view.
- 1.3 is a front and left side perspective view.
- 1.4 is a top, front and right side perspective view.
- 1.5 is a top plan view.

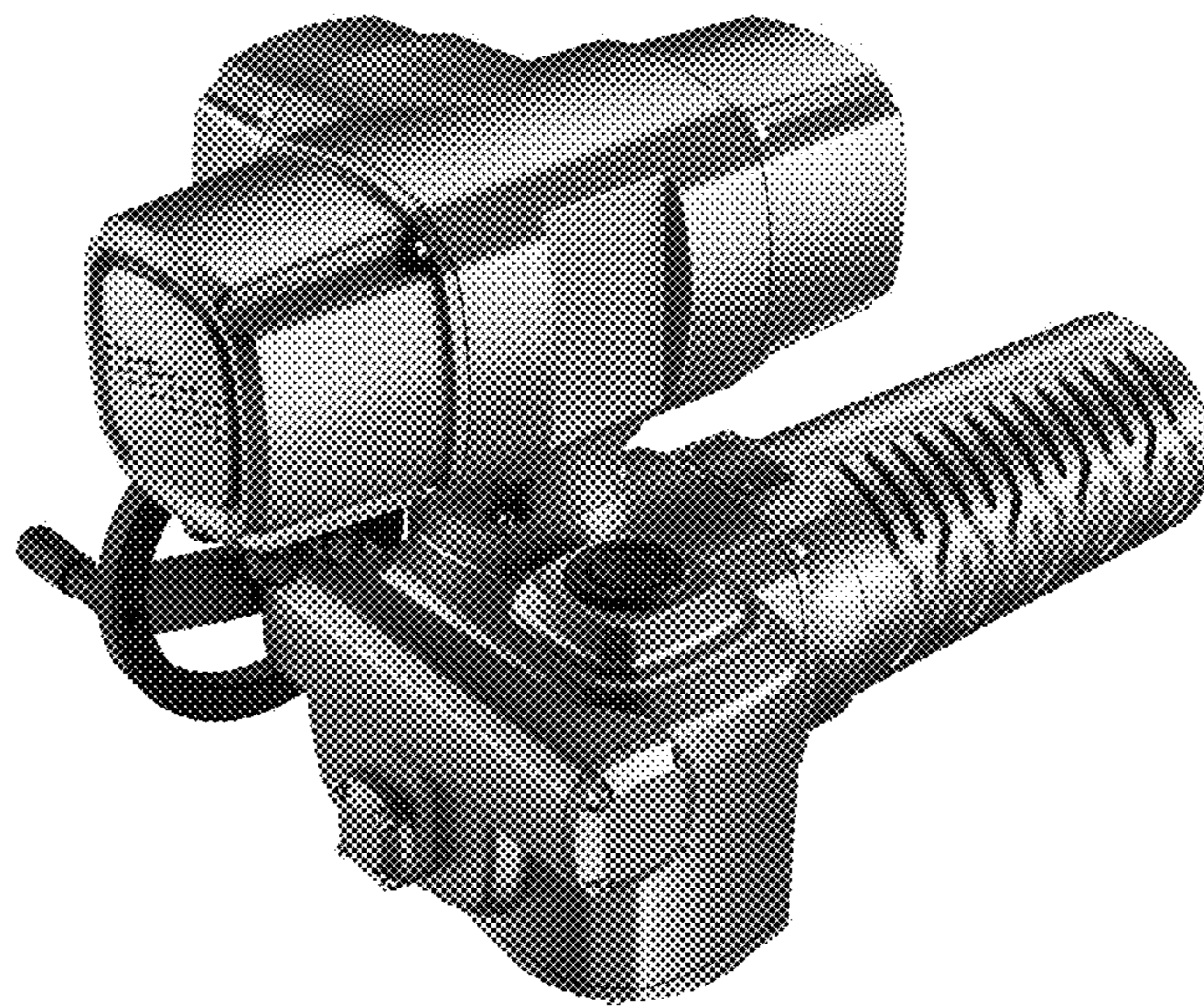
1 Claim, 5 Drawing Sheets



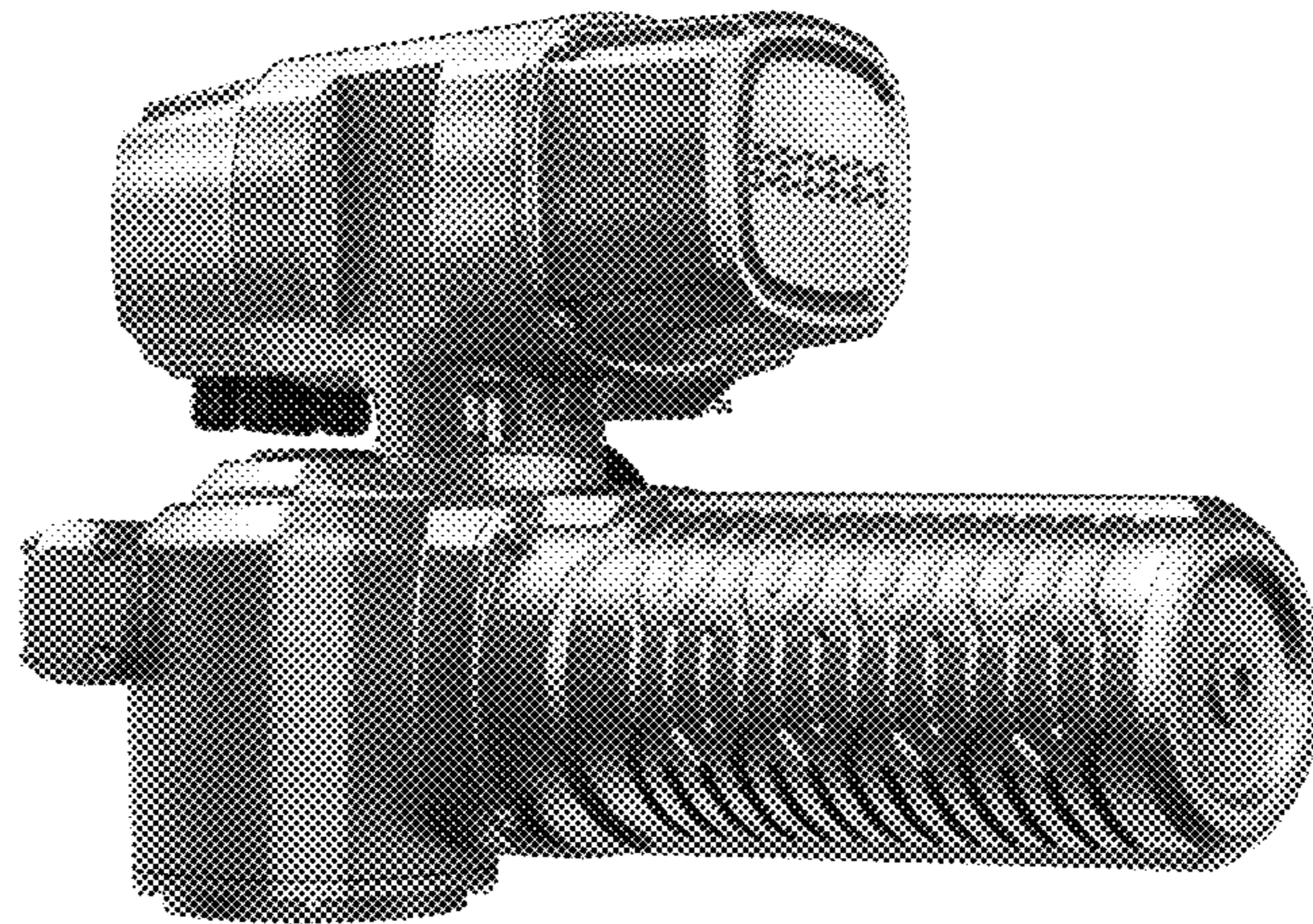
1.1



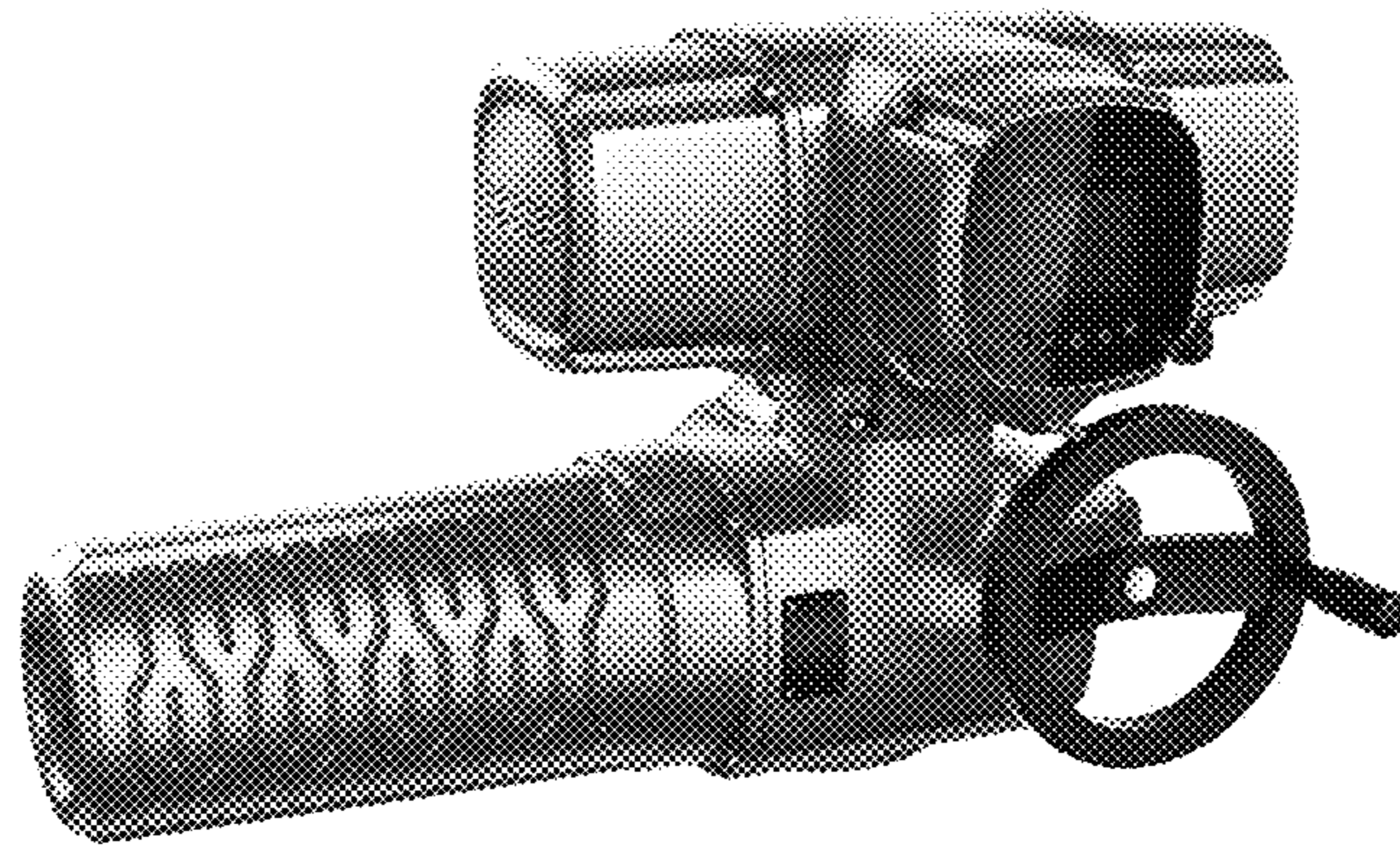
1.2



1.3



1.4



1.5

