



US00D968569S

(12) **United States Design Patent**  
**Wang**

(10) **Patent No.:** **US D968,569 S**

(45) **Date of Patent:** **\*\* Nov. 1, 2022**

(54) **HAND-HELD AIRBRUSH GUN**

(71) Applicant: **Ningbo Xianjia Electric Appliance Co., Ltd., Ningbo (CN)**

(72) Inventor: **Wei Wang, Ningbo (CN)**

(\*\*) Term: **15 Years**

(21) Appl. No.: **29/769,588**

(22) Filed: **Feb. 5, 2021**

(30) **Foreign Application Priority Data**

Aug. 19, 2020 (CN) ..... 202030475625.X

(51) **LOC (13) Cl.** ..... **23-01**

(52) **U.S. Cl.**  
USPC ..... **D23/226**

(58) **Field of Classification Search**  
USPC ..... D23/213, 214, 215, 223, 224, 226, 229,  
D23/230

CPC ..... A61H 9/0021; A61H 33/00; B05B 1/00;  
B05B 1/14; B05B 1/185; B05B 1/08;  
B05B 1/02; B05B 1/26; B05B 12/002;  
B05B 1/18; B05B 9/01

See application file for complete search history.

(56) **References Cited**

**U.S. PATENT DOCUMENTS**

D405,503 S *	2/1999	Endo	.....	D23/226
D457,599 S *	5/2002	Karwoski	.....	D23/226
D545,943 S *	7/2007	Rodgers	.....	D23/226
D575,374 S *	8/2008	Huang	.....	D23/226
D578,603 S *	10/2008	Khaitov	.....	D23/213
D588,231 S *	3/2009	Pellin	.....	D23/213
D607,086 S *	12/2009	Kosaka	.....	D23/226
D672,012 S *	12/2012	Brose	.....	D23/226
D704,300 S *	5/2014	Li	.....	D23/225
D725,743 S *	3/2015	Richter	.....	D23/226
D727,466 S *	4/2015	Richter	.....	D23/226

D757,214 S *	5/2016	Richter	.....	D23/213
D757,216 S *	5/2016	Gehrung	.....	D23/225
9,433,953 B2 *	9/2016	Ghesla	.....	B05B 5/03
D770,593 S *	11/2016	Gehrung	.....	D23/226
D778,405 S *	2/2017	Wang	.....	D23/226
D794,755 S *	8/2017	Wang	.....	D23/226

(Continued)

**OTHER PUBLICATIONS**

Airbrush, Gravity Spray Gun, Aug. 16, 2019, amazon.ca, Jun. 17, 2022, URL: <https://www.amazon.ca/Airbrush-Gravity-Multiply-Purpose-0-5mm0-8mmm/dp/B07WH11CWF/Q> (Year: 2019).\*

(Continued)

*Primary Examiner* — Keith J Wilson

(57) **CLAIM**

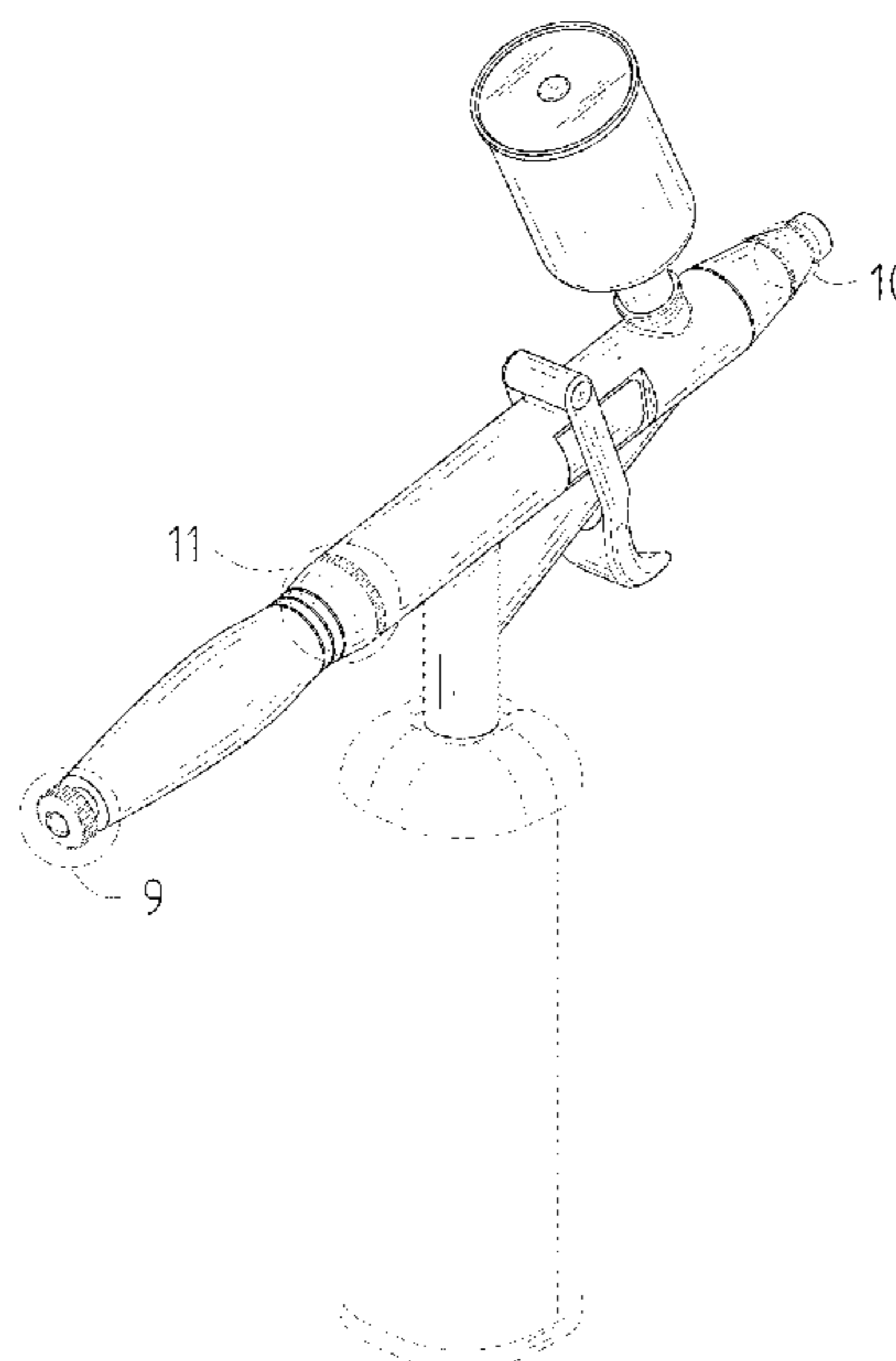
The ornamental design for a hand-held airbrush gun, as shown and described.

**DESCRIPTION**

FIG. 1 is a first perspective view of a hand-held airbrush gun showing my new design;  
FIG. 2 is a second perspective view thereof;  
FIG. 3 is a front view thereof;  
FIG. 4 is a back view thereof;  
FIG. 5 is a left side view thereof;  
FIG. 6 is a right side view thereof;  
FIG. 7 is a top view thereof;  
FIG. 8 is a bottom view thereof;  
FIG. 9 is an enlarged view of the selected portion in FIG. 1;  
FIG. 10 is an enlarged view of the selected portion in FIG. 1; and,  
FIG. 11 is an enlarged view of the selected portion in FIG. 1.

The broken lines shown in the drawings depict portions of the hand-held airbrush gun in which the design is embodied that form no part of the claimed design.

**1 Claim, 11 Drawing Sheets**



(56)

**References Cited**

U.S. PATENT DOCUMENTS

D800,868 S \* 10/2017 Crenshaw ..... D23/226  
D801,477 S \* 10/2017 Mazur ..... D23/226  
D803,353 S \* 11/2017 Negri ..... D23/226  
D812,718 S \* 3/2018 Kosaka ..... D23/226  
D821,545 S \* 6/2018 Gehrung ..... D23/226  
D830,506 S \* 10/2018 Gehrung ..... D23/223  
D831,792 S \* 10/2018 Gehrung ..... D23/223  
D835,235 S \* 12/2018 Gehrung ..... D23/226  
D854,123 S \* 7/2019 Becker ..... D23/226  
D858,698 S \* 9/2019 Arino ..... D23/213  
D861,130 S \* 9/2019 Carls ..... D23/226  
2015/0017327 A1 \* 1/2015 Myers ..... B05B 7/1209  
427/207.1  
2017/0231212 A1 \* 8/2017 Crenshaw ..... A01M 7/0046  
239/11  
2019/0299233 A1 \* 10/2019 Johnston ..... B05B 12/002

OTHER PUBLICATIONS

Master Performance G34 Airbrush Kit, Aug. 25, 2014, amazon.ca,  
Jun. 17, 2022, URL: <https://www.amazon.ca/Master-Performance-Airbrush-Compressor-Portable/dp/B00G044Z42/> (Year: 2014).\*

\* cited by examiner

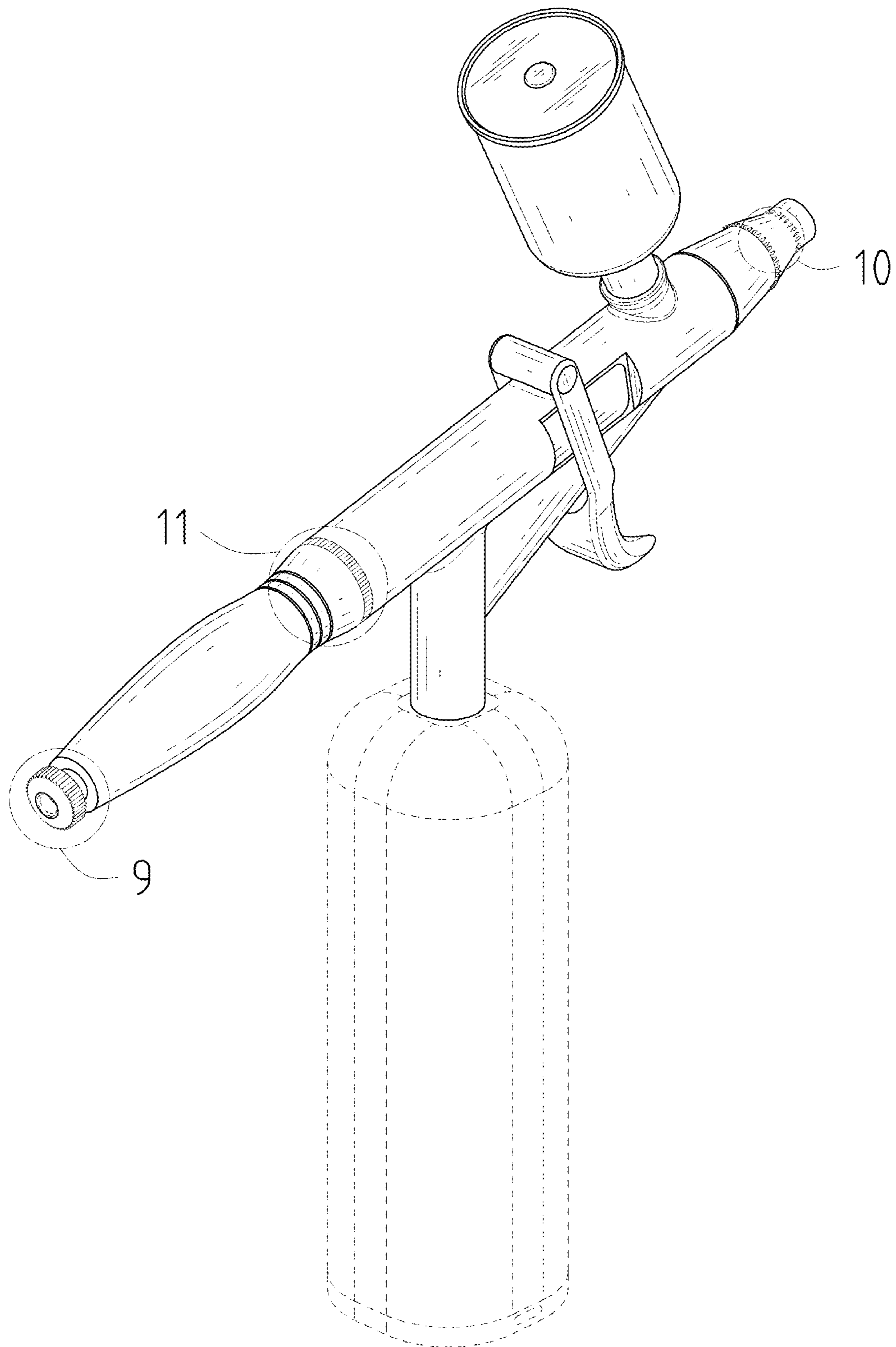


FIG. 1

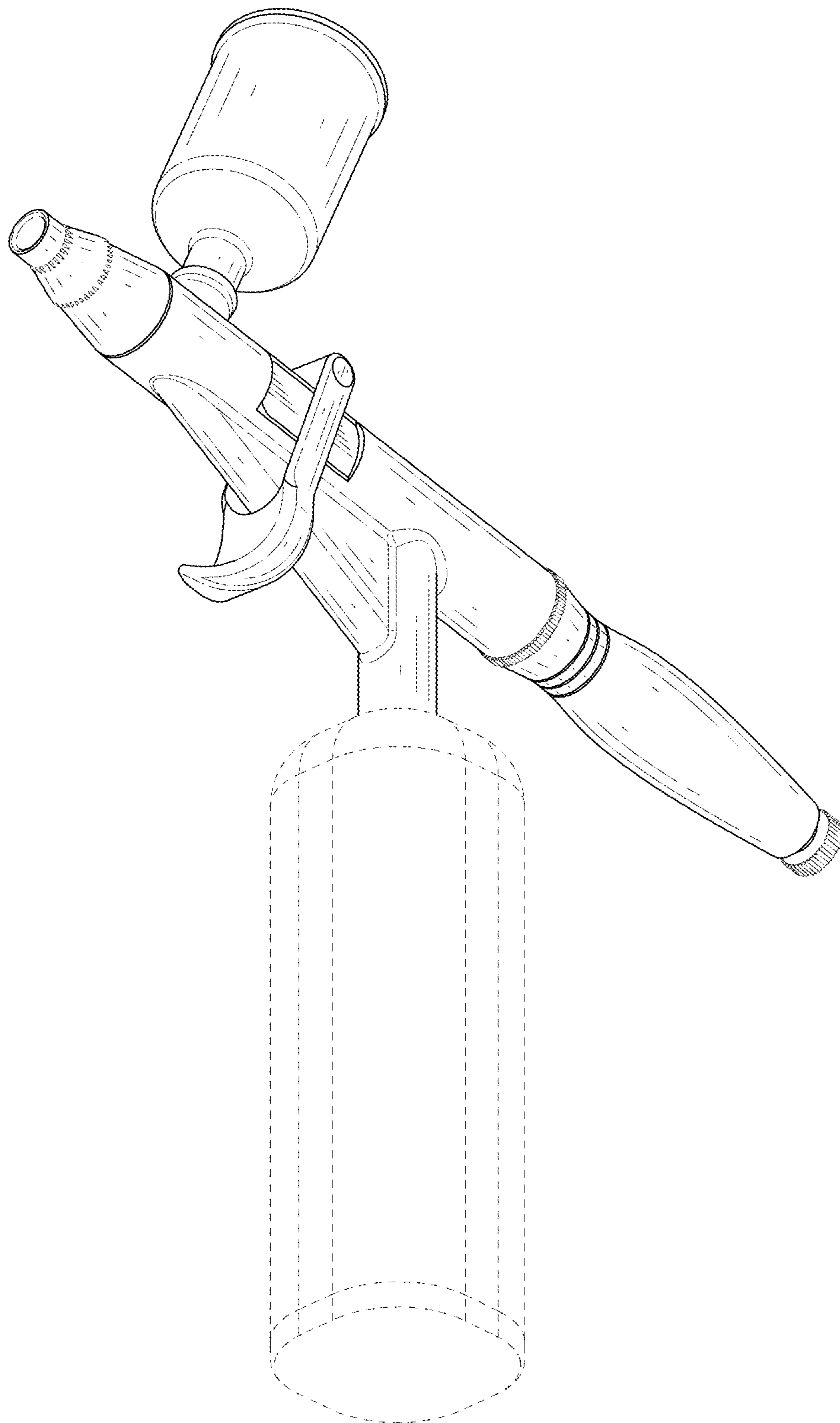


FIG. 2

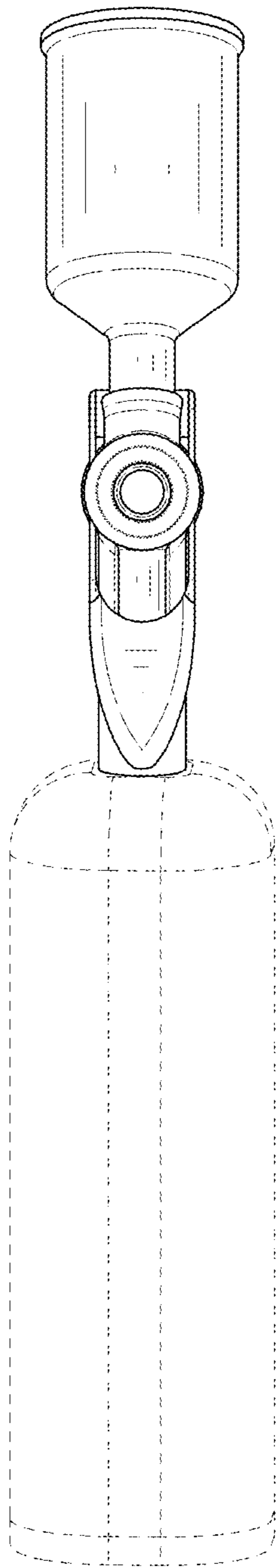


FIG. 3

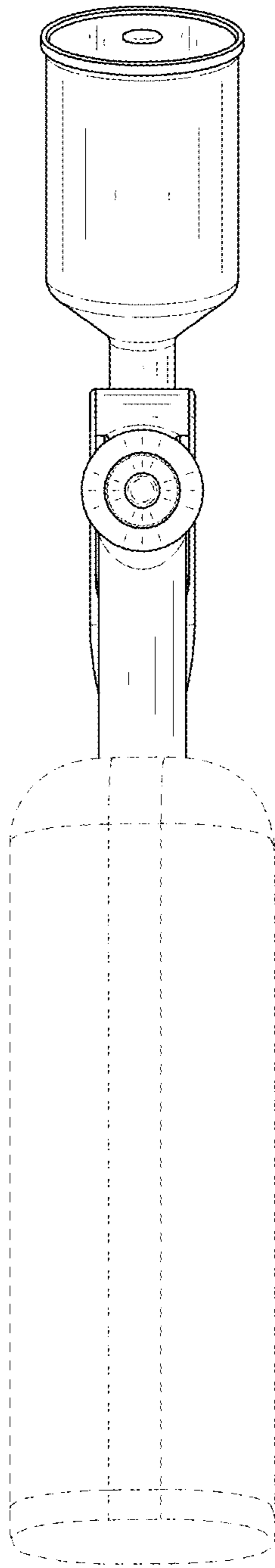


FIG. 4



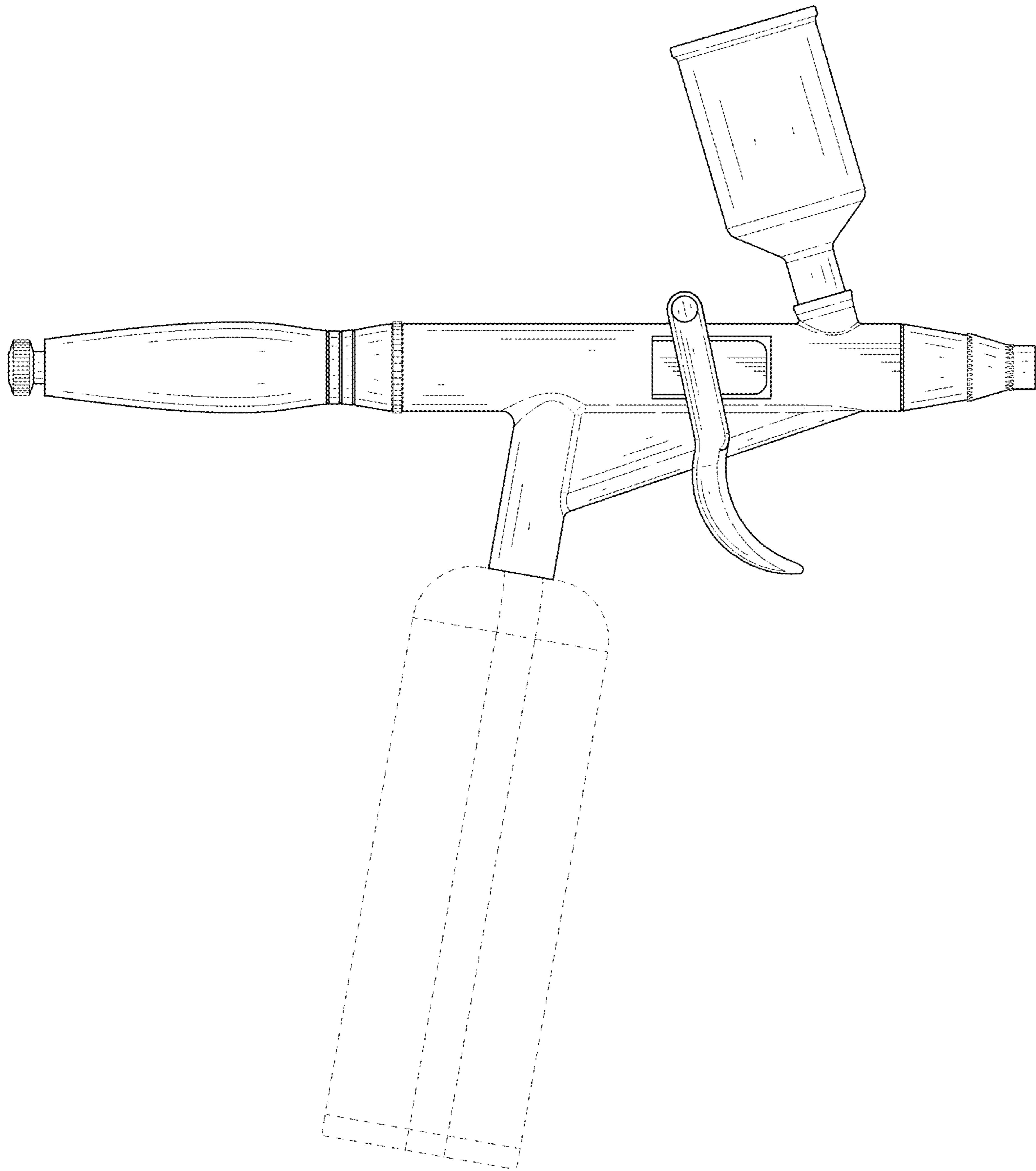


FIG. 5

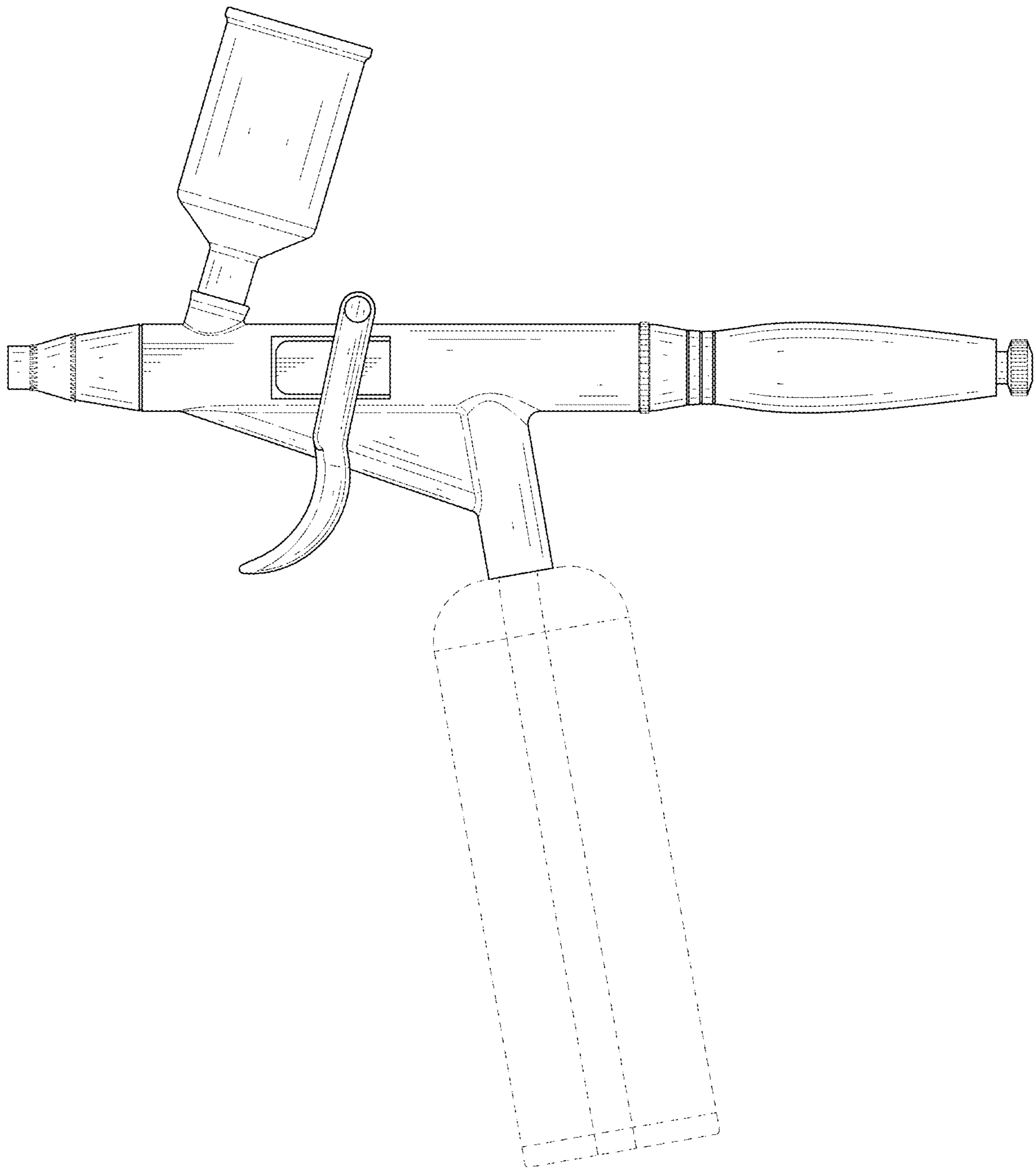


FIG. 6



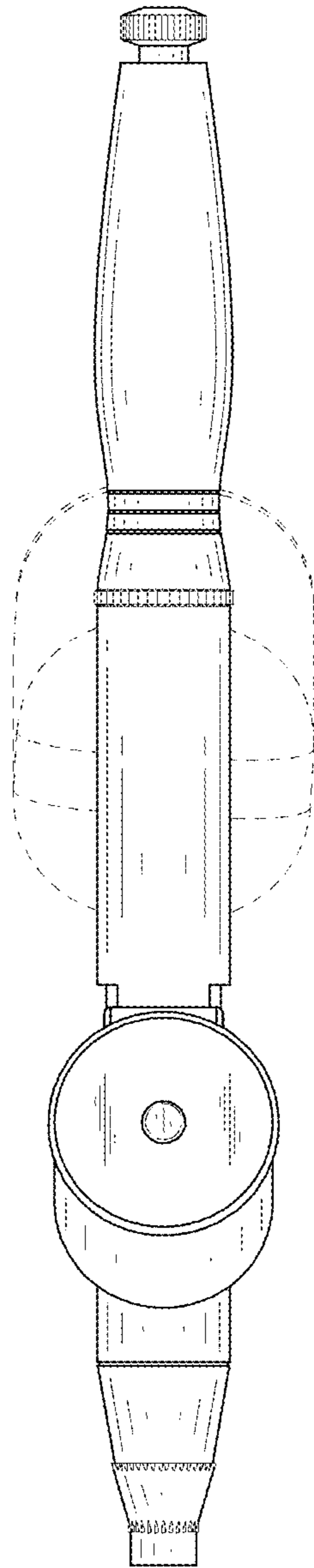


FIG. 7

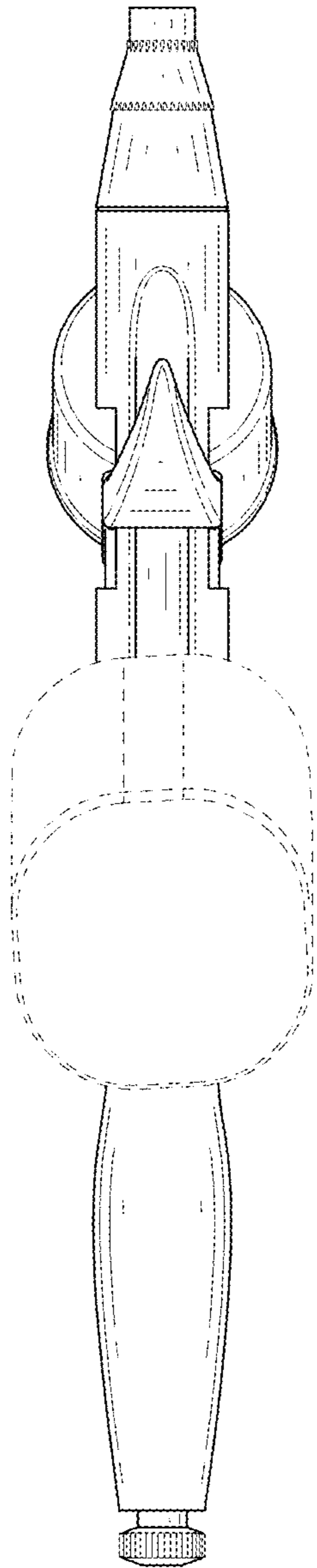


FIG. 8

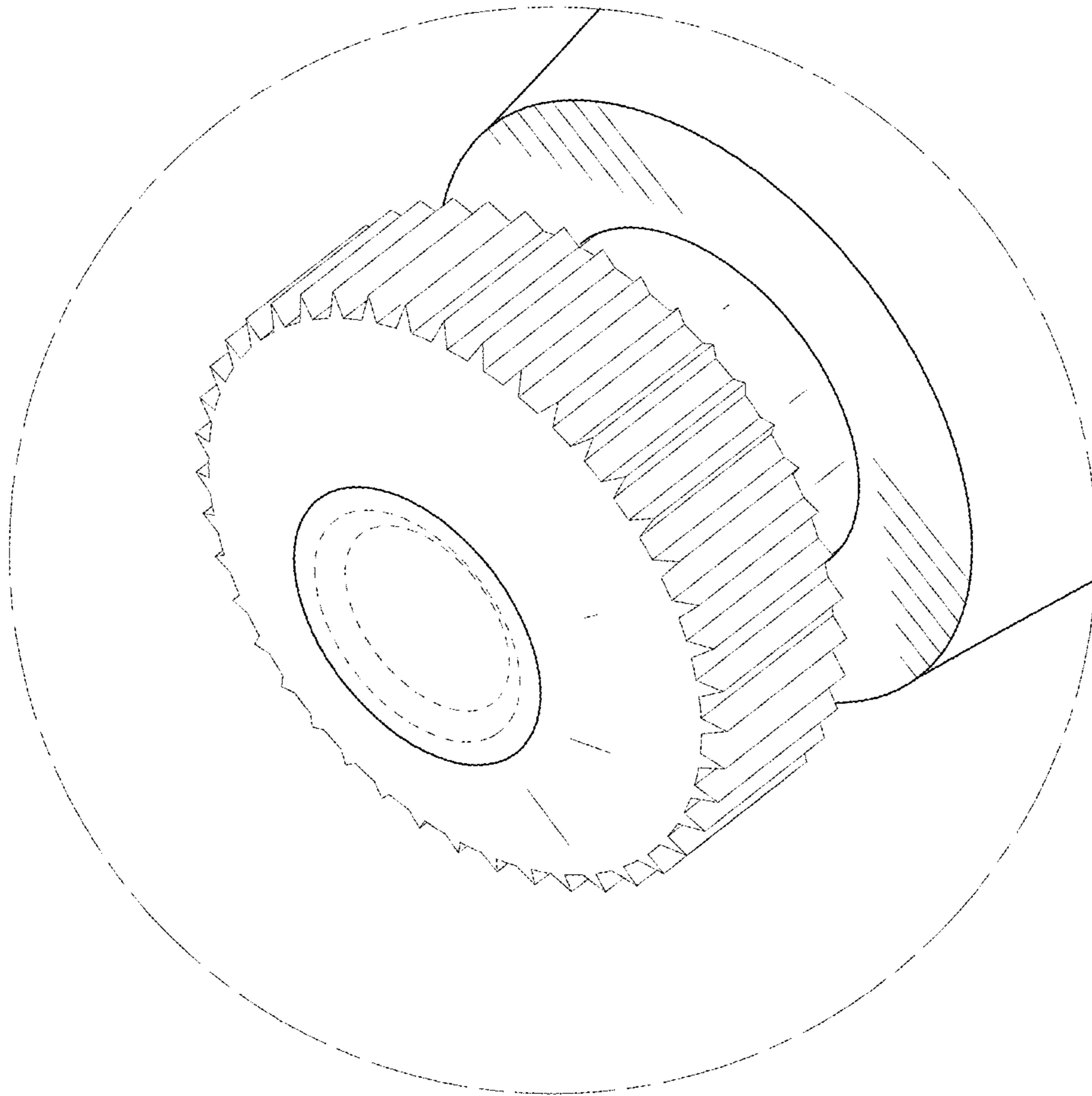


FIG. 9

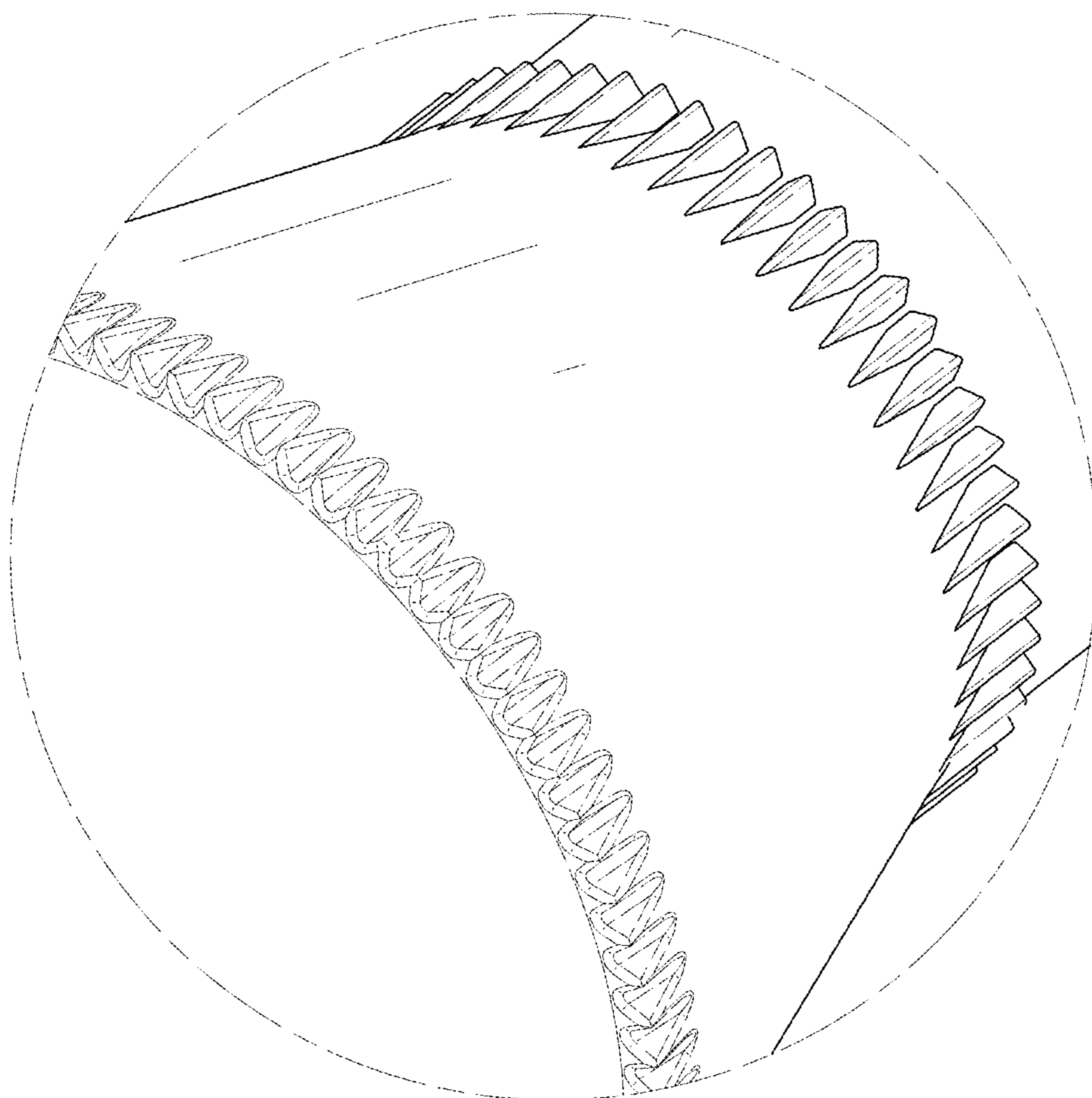


FIG. 10

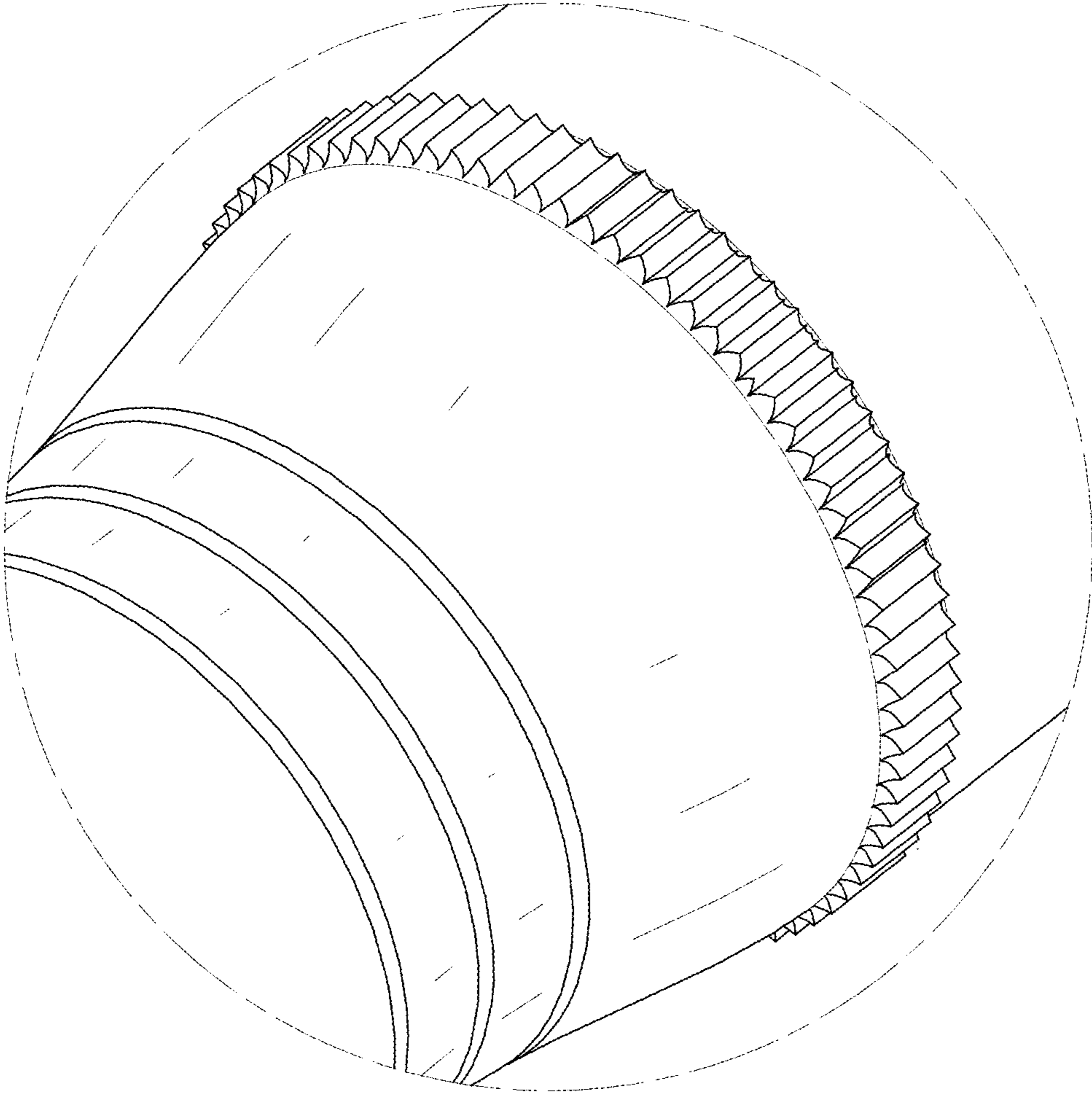


FIG. 11