



US00D968568S

(12) **United States Design Patent** (10) **Patent No.:** **US D968,568 S**
Shih (45) **Date of Patent:** **** Nov. 1, 2022**

(54) **PAINT SPRAY GUN**
(71) Applicant: **T & R ROXGEN INDUSTRIES CO., LTD.**, Changhua County (TW)
(72) Inventor: **Yu-Jung Shih**, Changhua County (TW)
(73) Assignee: **T & R ROXGEN INDUSTRIES CO., LTD.**, Changhua County (TW)
(**) Term: **15 Years**
(21) Appl. No.: **29/749,528**
(22) Filed: **Sep. 7, 2020**
(51) **LOC (13) Cl.** **23-01**
(52) **U.S. Cl.**
USPC **D23/226**
(58) **Field of Classification Search**
USPC D23/213, 223, 225, 226
CPC B05B 1/16; B05B 1/1618; B05B 7/0018;
B05B 7/02; B05B 7/24; B05B 7/2408;
B05B 7/2478; B05B 9/01; B05B 9/0894;
B05B 12/002
See application file for complete search history.

(56) **References Cited**
U.S. PATENT DOCUMENTS
D405,503 S * 2/1999 Endo D23/226
D448,451 S * 9/2001 Turnbull D23/226
6,749,132 B2 * 6/2004 Pettit B05B 7/0815
239/296
D538,886 S * 3/2007 Huang D23/226
D583,013 S * 12/2008 Wang D23/226
D672,012 S * 12/2012 Brose D23/226
D692,532 S * 10/2013 Li D23/225
D704,300 S * 5/2014 Li D23/225
D754,287 S * 4/2016 Wang D23/226
D839,386 S * 1/2019 Ghorbani D23/226

D943,710 S * 2/2022 Ying D23/225
2009/0026288 A1 * 1/2009 Shih B05B 7/066
239/296
2019/0001359 A1 * 1/2019 Negri B05B 15/63

OTHER PUBLICATIONS

DeVilBiss Startingline HVLP Spray Gun, Aug. 3, 2018, Amazon, site visited Mar. 28, 2022: <https://www.amazon.com/dp/B07G5G73RV/> (Year: 2018).*
Sagola 3300 GTO HVLP Spray Gun, Sep. 7, 2018, Amazon, site visited Mar. 28, 2022: <https://www.amazon.com/dp/B07D6LSYJN/> (Year: 2018).*
Introducing Z-GUN, Dec. 14, 2020, YouTube, site visited Mar. 28, 2022: <https://www.youtube.com/watch?v=76NnCjXe6b0> (Year: 2020).*

* cited by examiner

Primary Examiner — Jack Reickel
Assistant Examiner — Bobby W Jones, II
(74) *Attorney, Agent, or Firm* — Chun-Ming Shih;
Lanway IPR Services

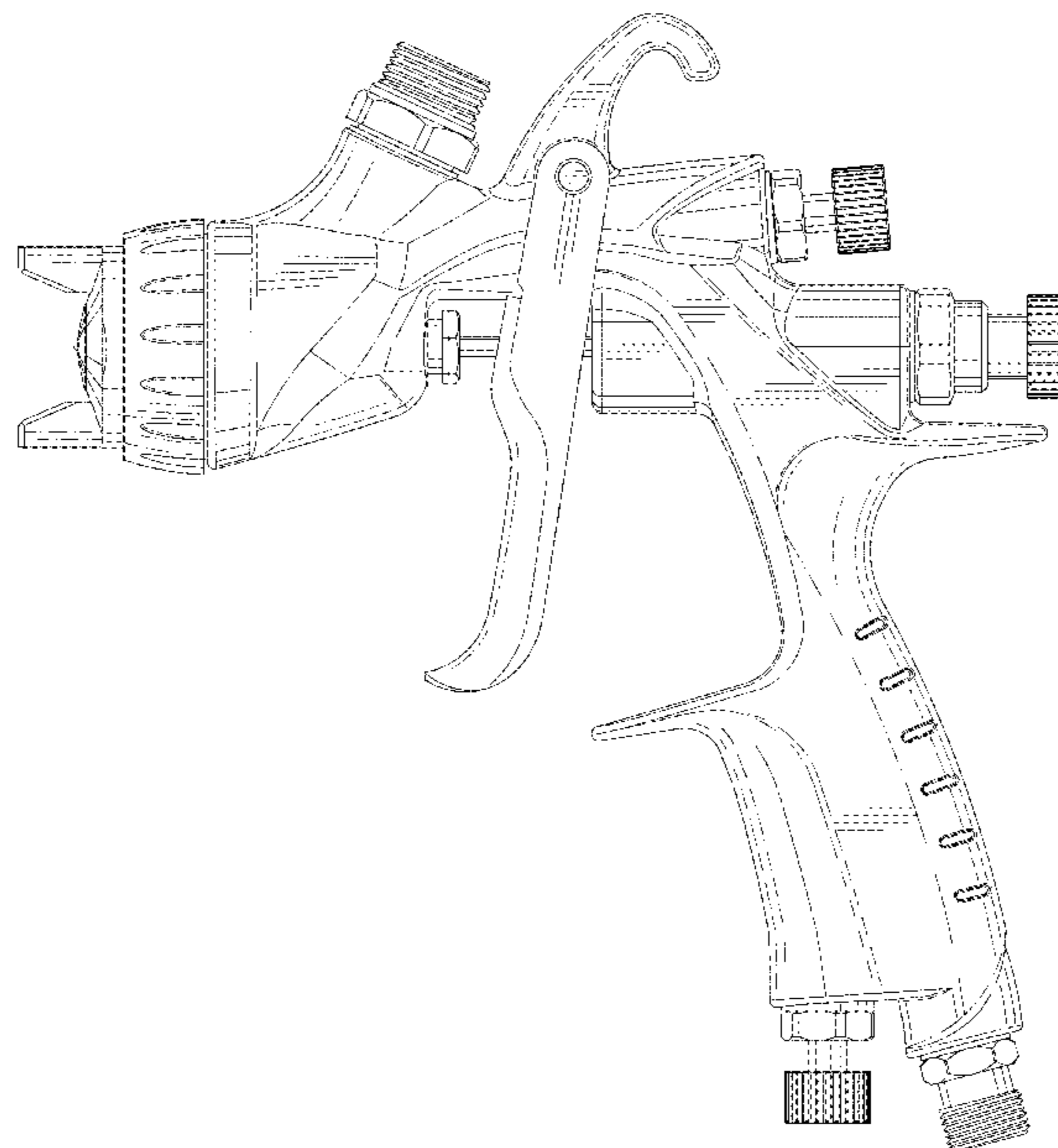
(57) **CLAIM**

The ornamental design for a paint spray gun, as shown and described.

DESCRIPTION

FIG. 1 is a perspective view of a paint spray gun showing my new design;
FIG. 2 is a front elevational view thereof;
FIG. 3 is a rear elevational view thereof;
FIG. 4 is a left side elevational view thereof;
FIG. 5 is a right side elevational view thereof;
FIG. 6 is a top plan view thereof; and,
FIG. 7 is a bottom plan view thereof.
The evenly-dashed broken line showing of a paint spray gun in FIG. 7 is include for the purpose of illustrating portions of the article and forms no part of the claimed design.

1 Claim, 7 Drawing Sheets



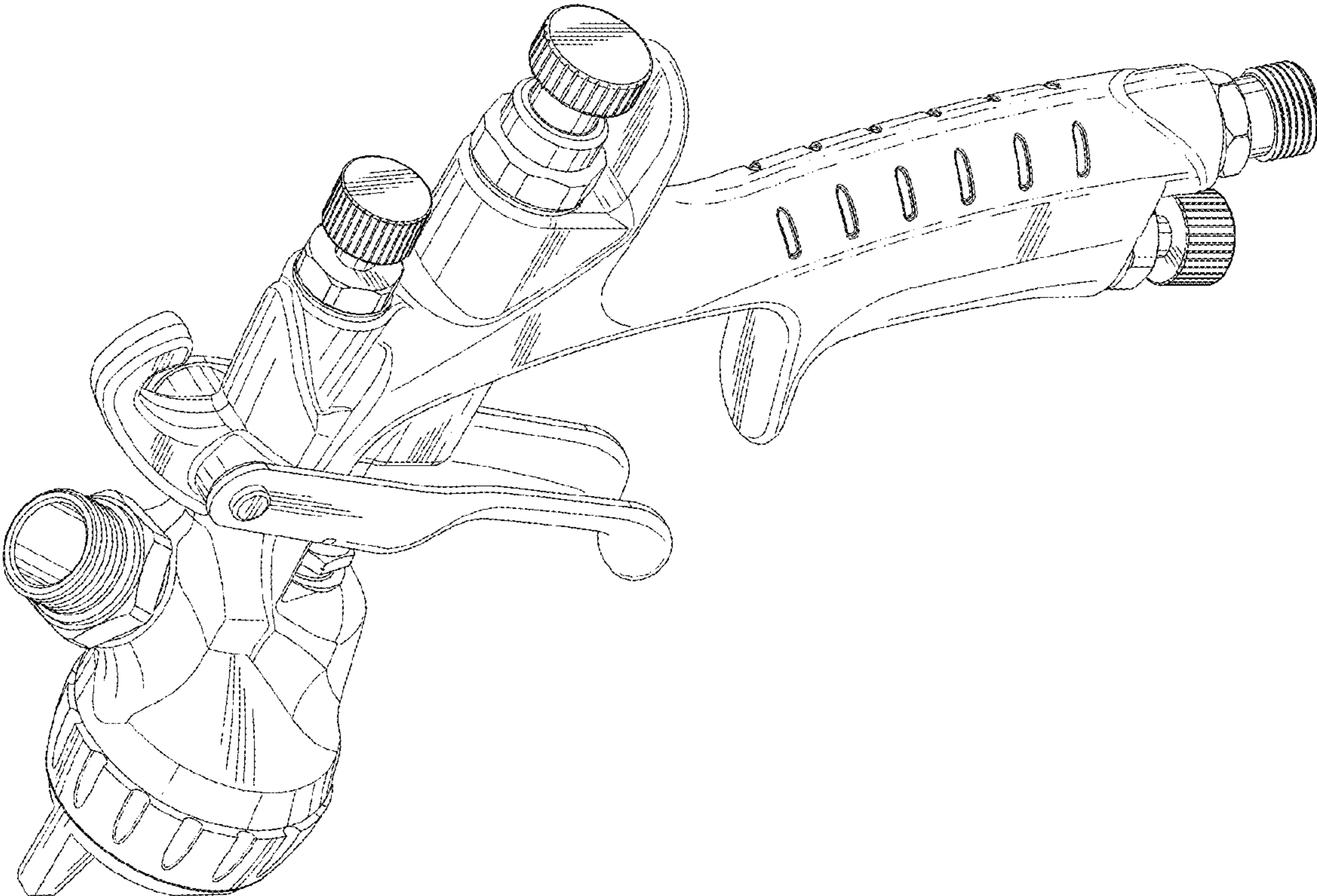


FIG.1

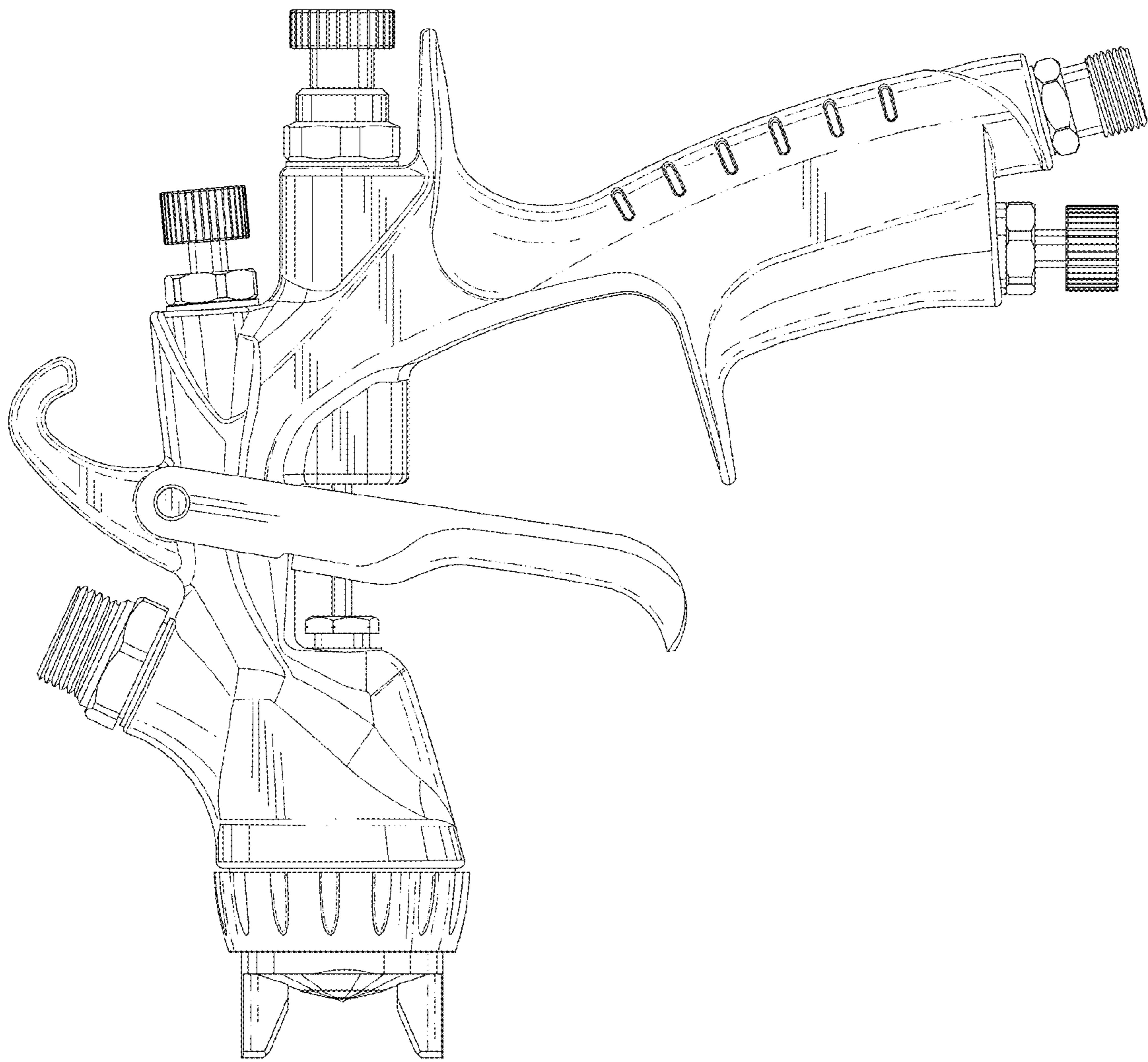


FIG.2

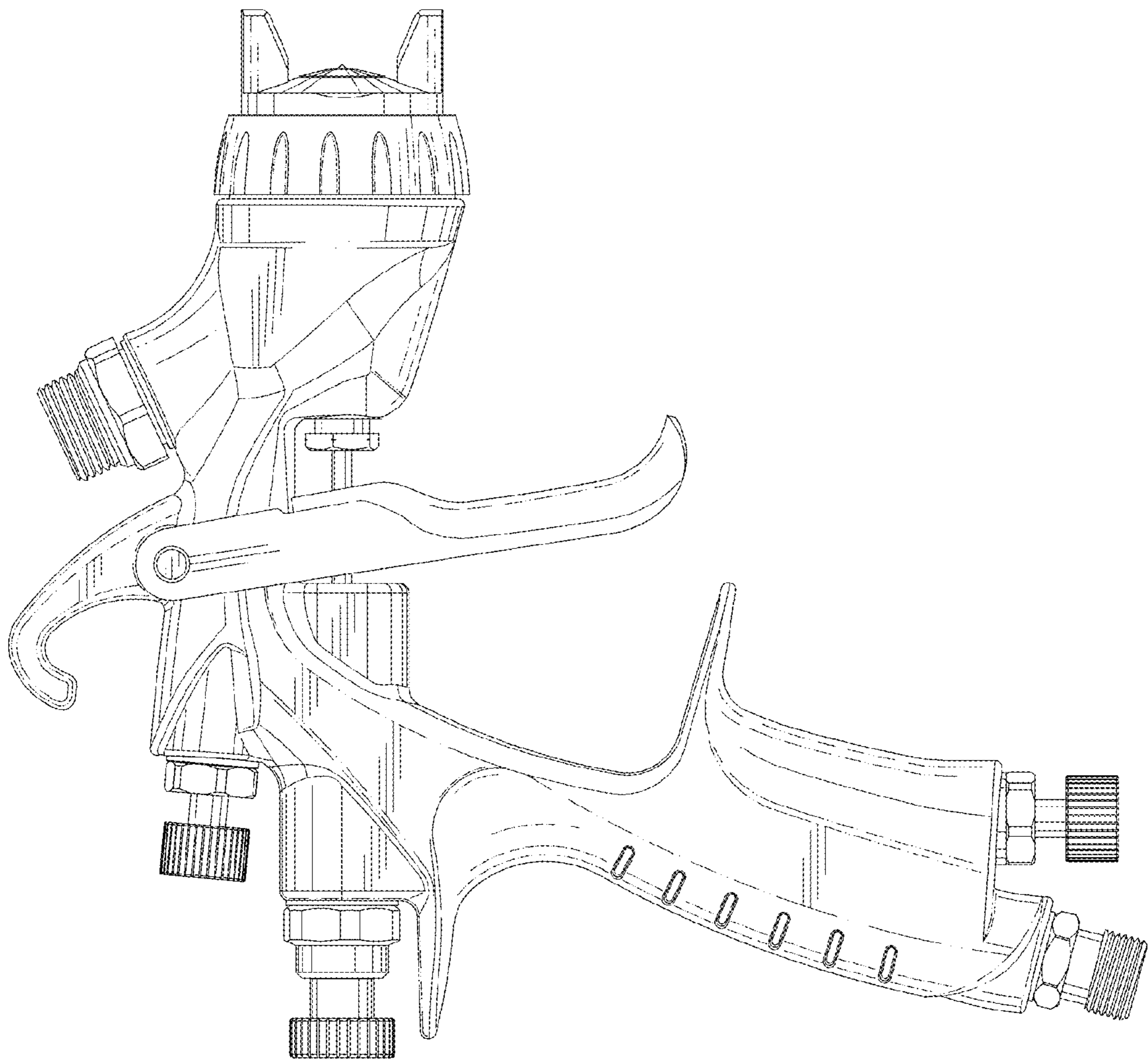


FIG.3

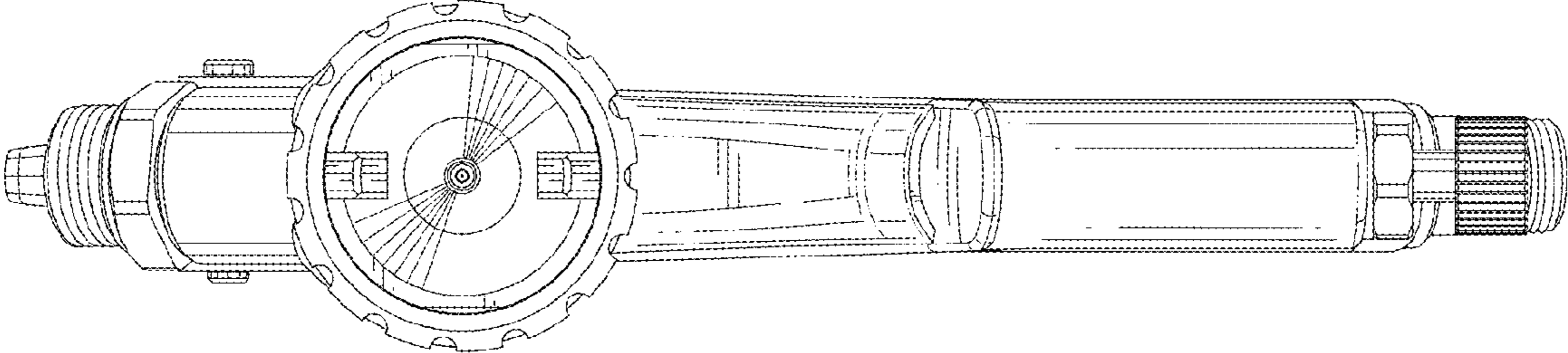


FIG.4

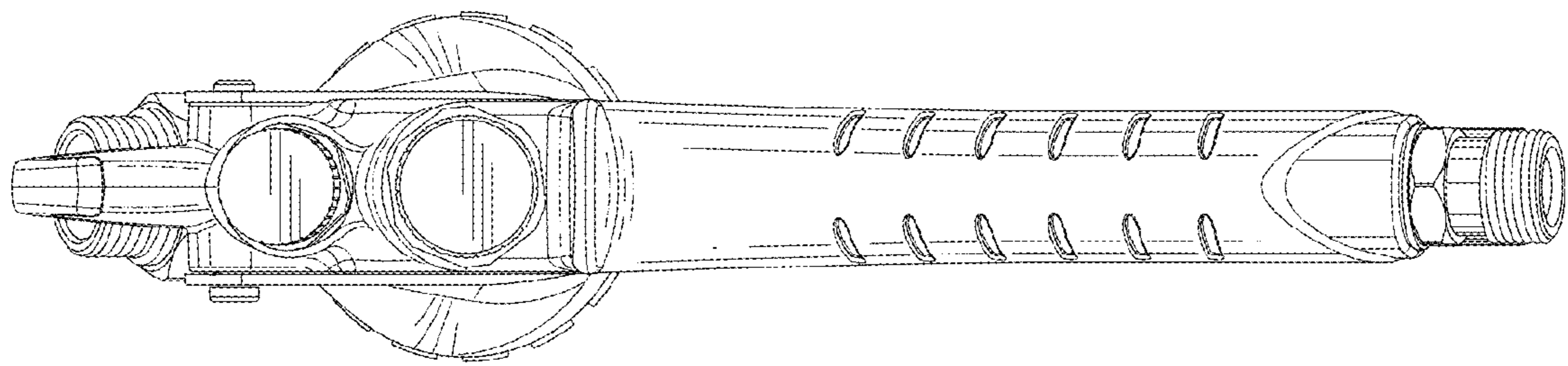


FIG. 5

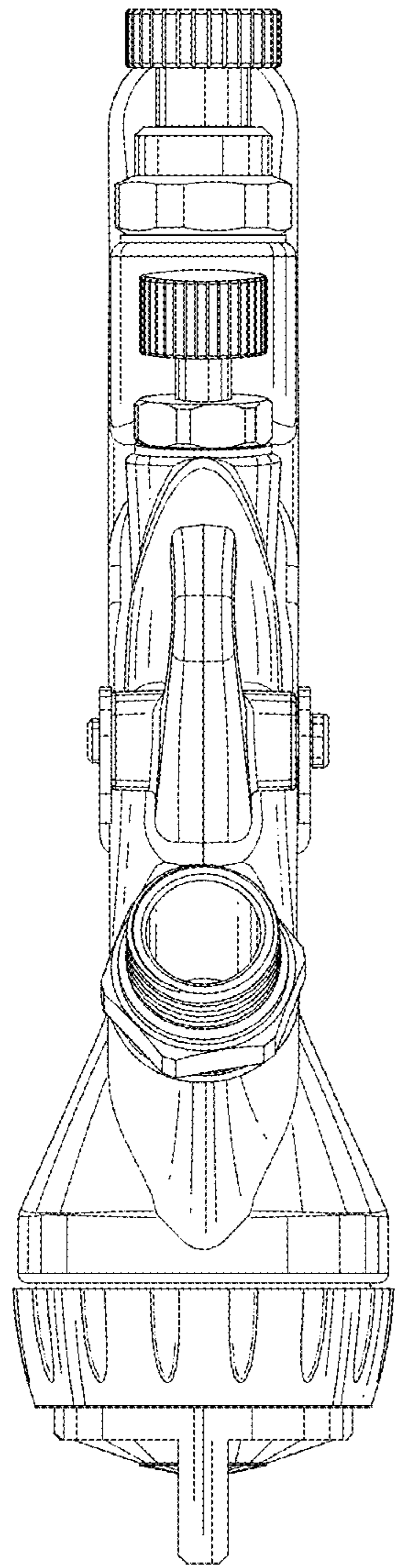


FIG. 6

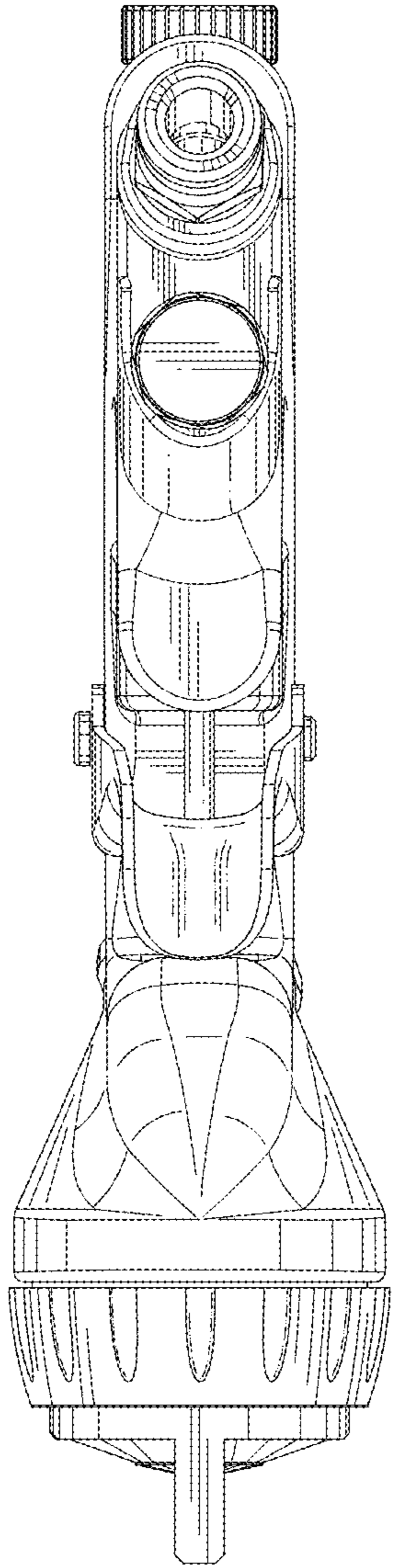


FIG. 7