



US00D968567S

(12) **United States Design Patent** (10) **Patent No.:** **US D968,567 S**
Yang et al. (45) **Date of Patent:** **** *Nov. 1, 2022**

(54) **SPRAY GUN**
(71) Applicant: **Zhejiang Prulde Electric Appliance Co., Ltd., Zhejiang (CN)**
(72) Inventors: **Weiming Yang, Zhejiang (CN); Ting Han, Zhejiang (CN)**
(73) Assignee: **Zhejiang Prulde Electric Appliance Co., Ltd., Zhejiang (CN)**
(*) Notice: This patent is subject to a terminal disclaimer.
(**) Term: **15 Years**
(21) Appl. No.: **29/728,341**
(22) Filed: **Mar. 18, 2020**
(51) **LOC (13) Cl.** **23-01**
(52) **U.S. Cl.**
USPC **D23/226**
(58) **Field of Classification Search**
USPC D23/207, 213, 214, 215, 223, 224, 225, D23/226, 229, 230
CPC A61H 9/0021; A61H 33/00; B05B 1/00; B05B 1/14; B05B 1/185; B05B 1/08; B05B 1/02; B05B 1/26; B05B 12/002; B05B 1/18; B05B 9/01
See application file for complete search history.

D905,821 S * 12/2020 Ciura D23/223
10,870,120 B2 * 12/2020 Ruda B05B 7/2435
10,913,079 B2 * 2/2021 Wenzel B05B 1/34
D947,992 S * 4/2022 Yang D23/226
2020/0338578 A1 * 10/2020 Hanson B05B 7/1245

OTHER PUBLICATIONS

NEU Master Electric HVLP Powerful Spray Gun with 3 Spray Patterns and Adjustable Valve Knob Dec. 15, 2019, Amazon.com Mar. 27, 2021: URL <https://www.amazon.com/dp/B082SBVP53/> (Year: 2019).*
Paint Sprayer, Powerextra Upgraded 750 Watt High Power Home Electric Spray Gun, Jul. 6, 2021, amazon.ca, Aug. 2, 2022, URL: <https://www.amazon.ca/Electric-Powerextra-Upgraded-Patterns-Container/dp/B098QVJHHJ/> (Year: 2021).*
Acogedor Paint Sprayer Portable, Jun. 20, 2022, amazon.ca, Aug. 2, 2022, URL: <https://www.amazon.ca/dp/B0B4KNLKT1/> (Year: 2022).*

* cited by examiner

Primary Examiner — Keith J Wilson
(74) *Attorney, Agent, or Firm* — JCIP Global Inc.

(57) **CLAIM**

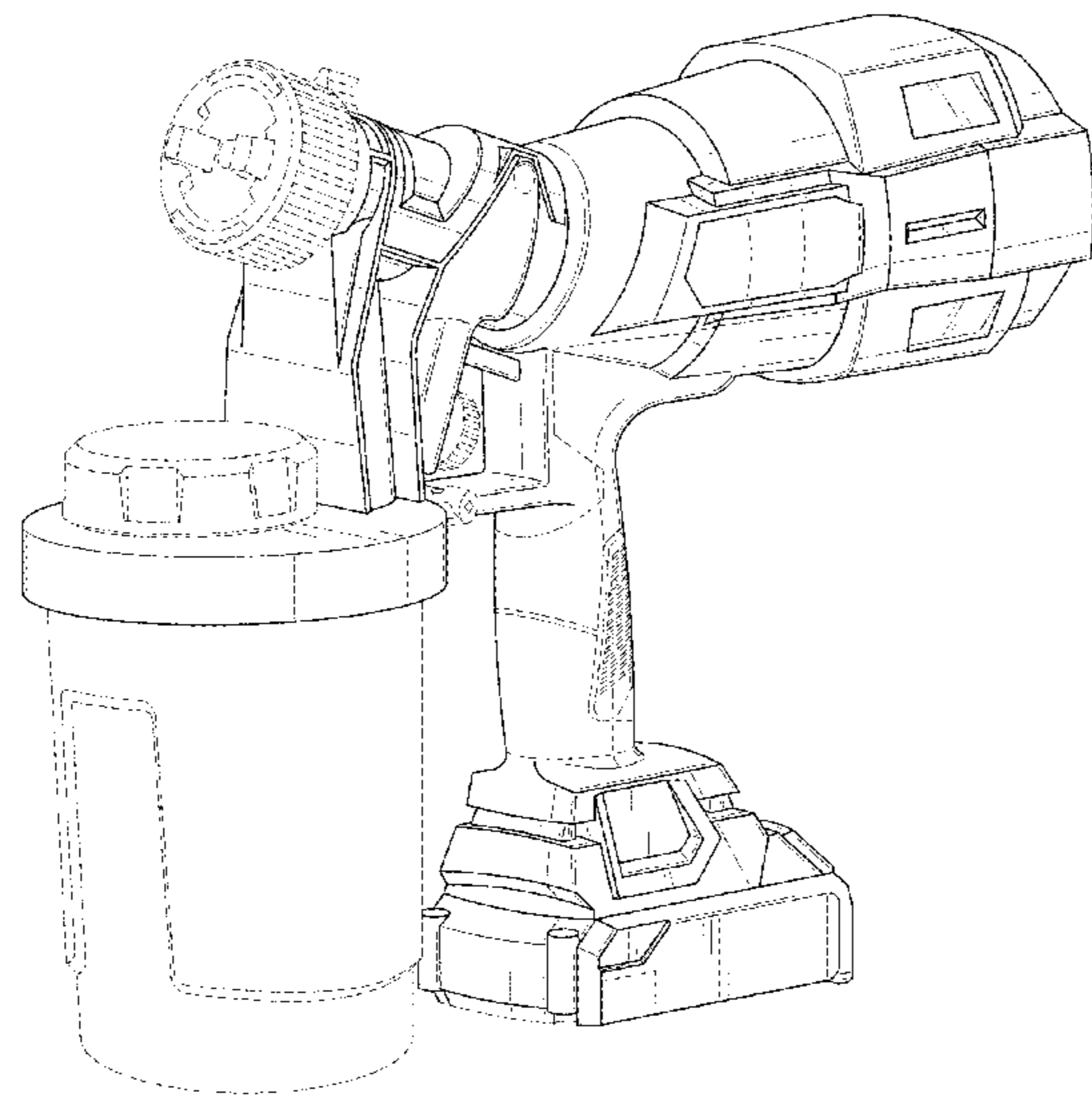
The ornamental design for a spray gun, as shown and described.

DESCRIPTION

FIG. 1 is a perspective view of a spray gun showing our new design;
FIG. 2 is a front view thereof;
FIG. 3 is a rear view thereof;
FIG. 4 is a left side view thereof;
FIG. 5 is a right side view thereof;
FIG. 6 is a top view thereof; and,
FIG. 7 is a bottom view thereof.
The dash lines in the drawings represent the portions of the spray gun that form no part of the claimed design. The dot-dash lines in FIG. 7 represent the bounds of the claim and form no part thereof.

1 Claim, 7 Drawing Sheets

(56) **References Cited**
U.S. PATENT DOCUMENTS
D495,400 S * 8/2004 Hopper D23/225
D503,215 S * 3/2005 Stevens D23/225
D519,603 S * 4/2006 Schumann D23/225
D645,542 S * 9/2011 Miller D23/225
D692,095 S * 10/2013 Hines D23/225
D713,500 S * 9/2014 Muhl D23/225
D759,199 S * 6/2016 Wrobel D23/225
D844,106 S * 3/2019 Dawson D23/225
D857,162 S * 8/2019 Dawson D23/225
D891,382 S * 7/2020 Koppa D13/182



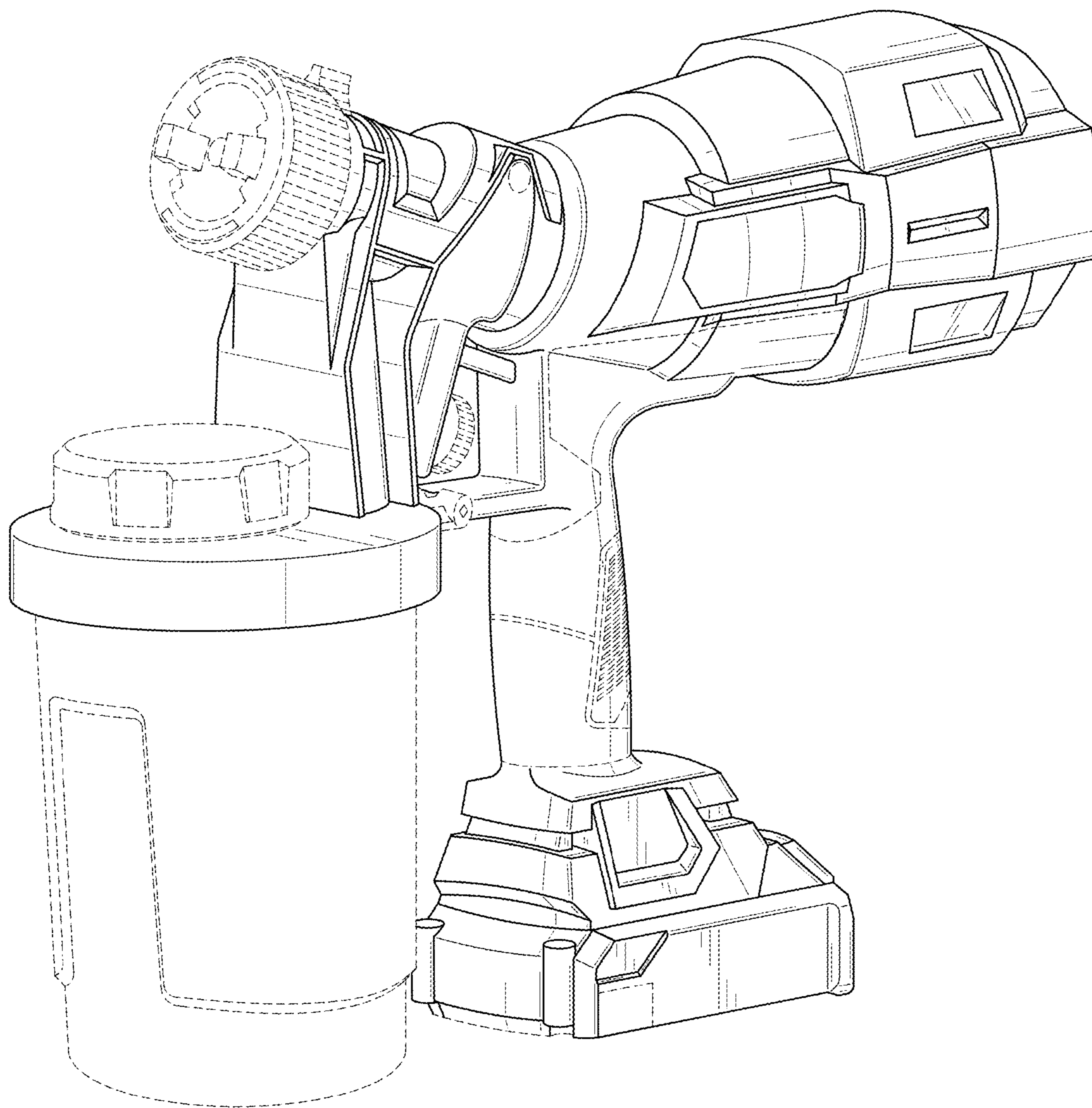


FIG. 1

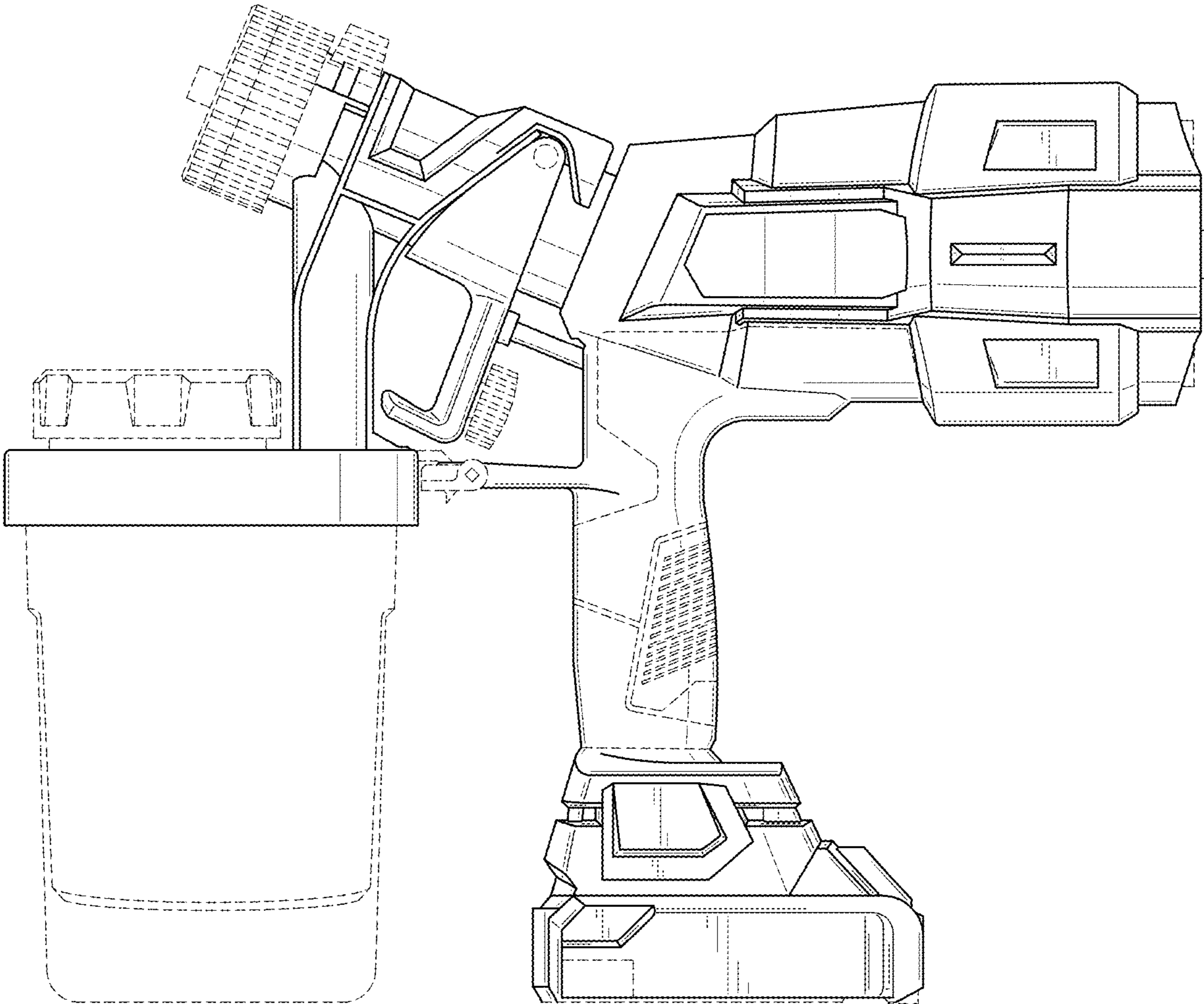


FIG. 2

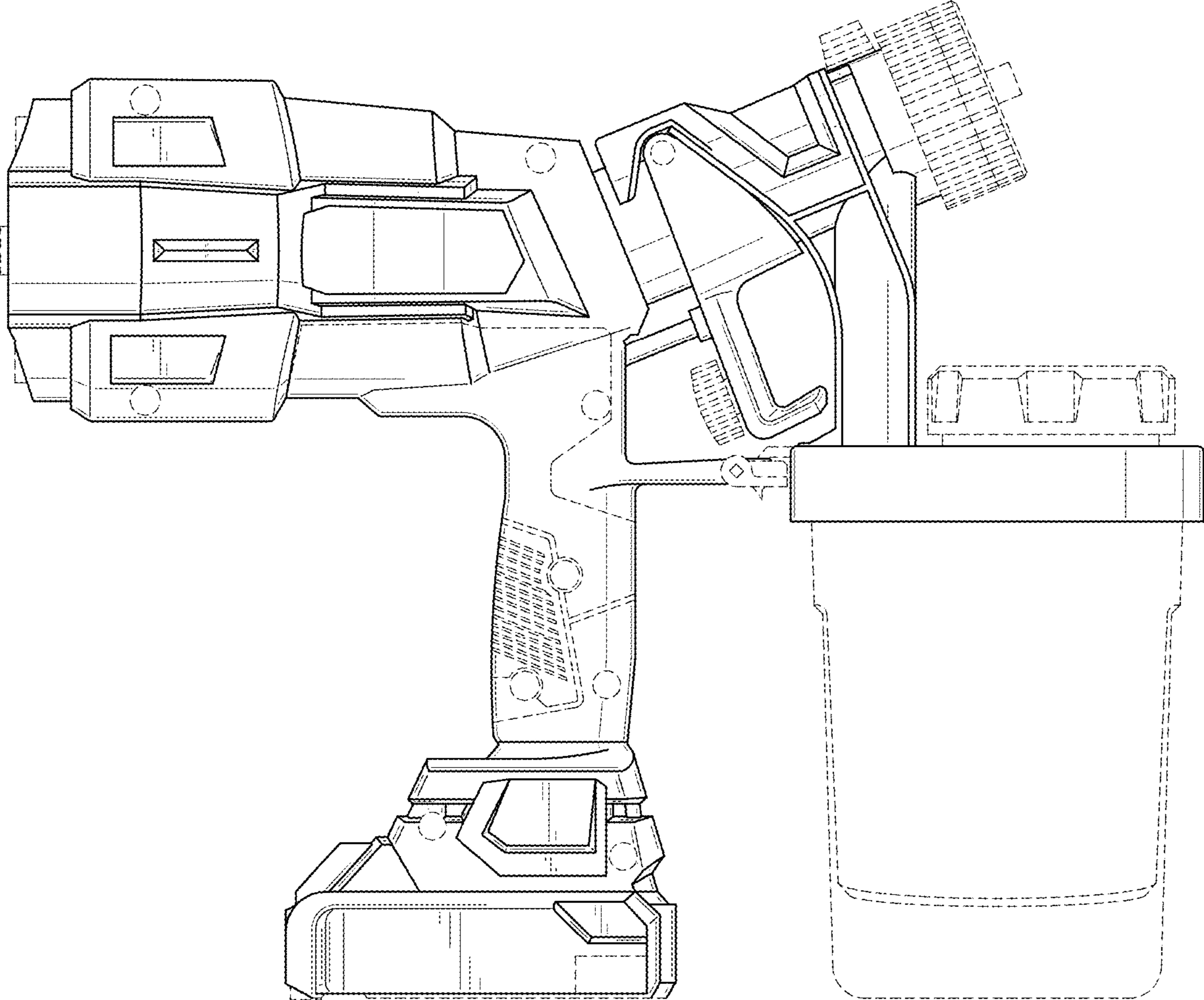


FIG. 3

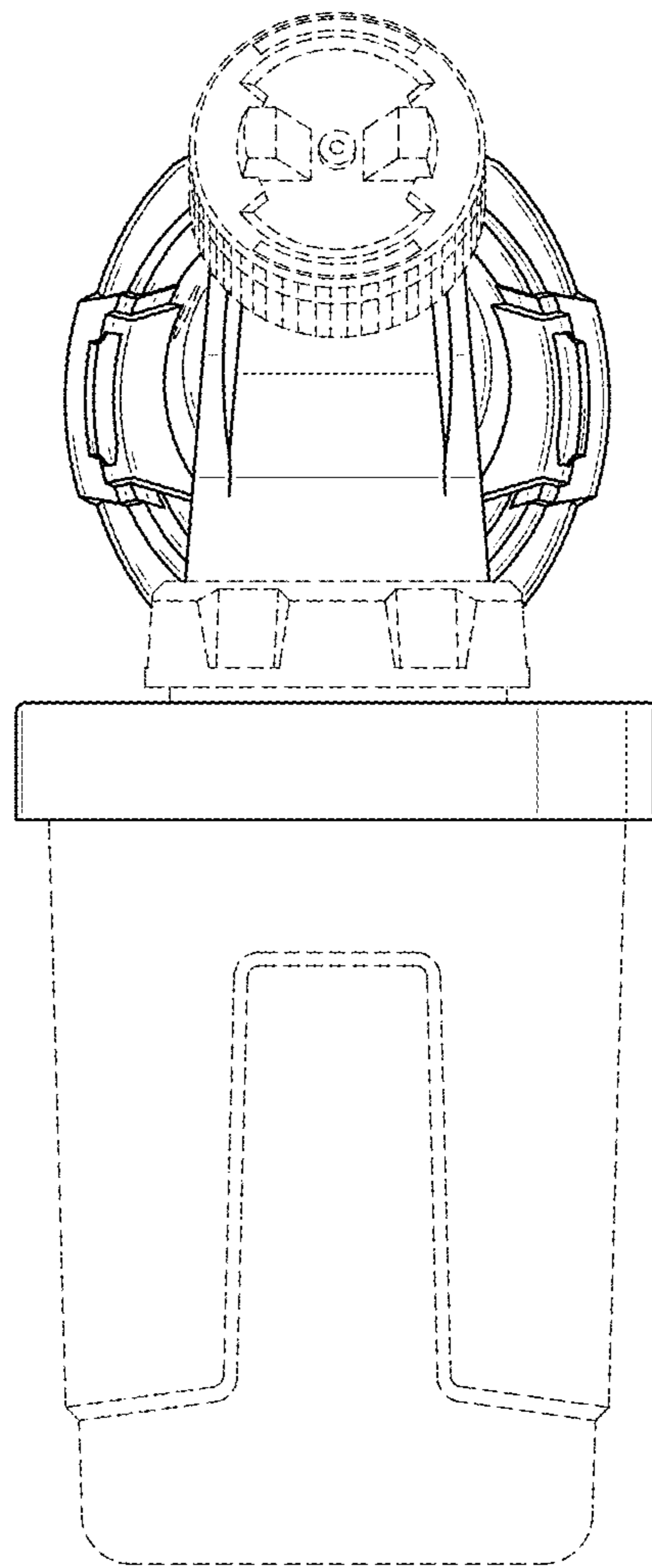


FIG. 4

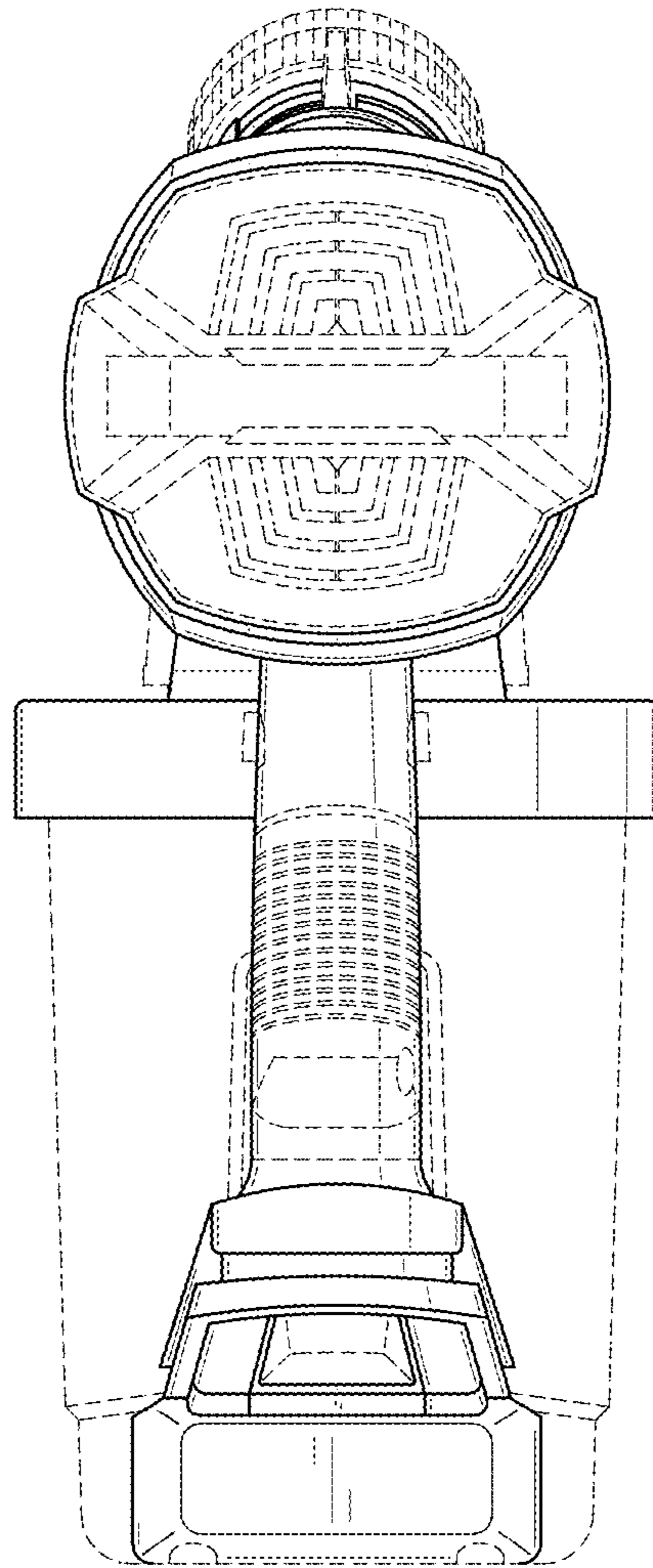


FIG. 5

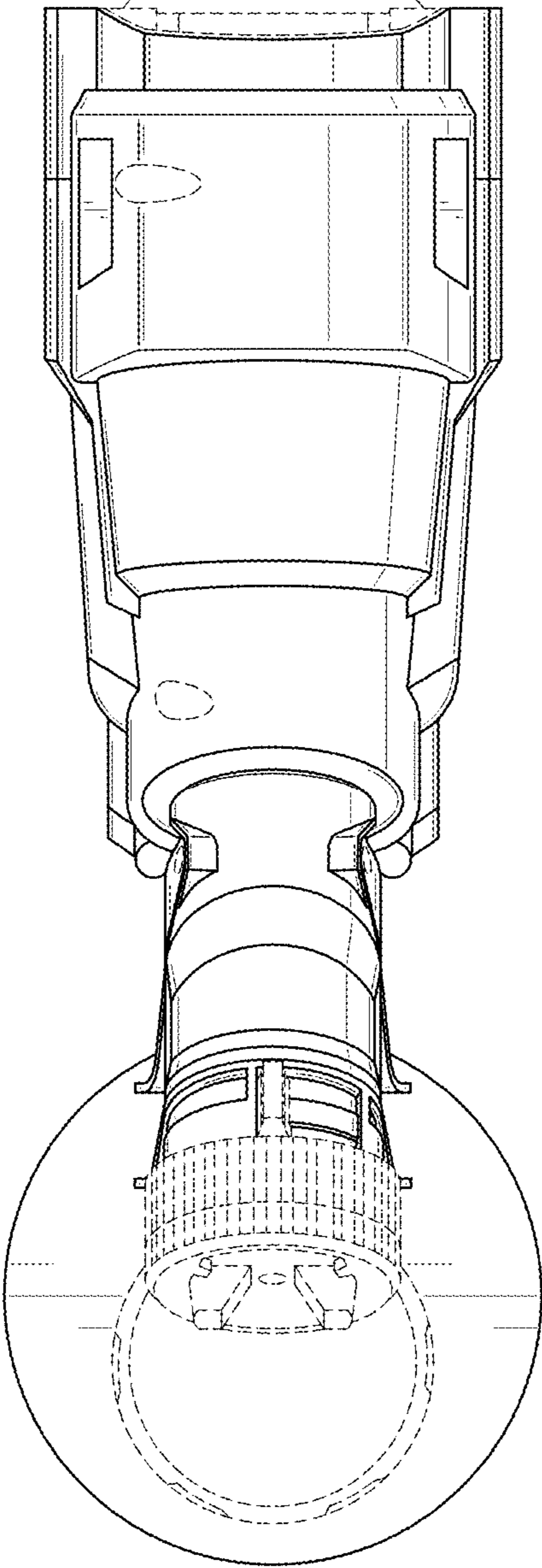


FIG. 6

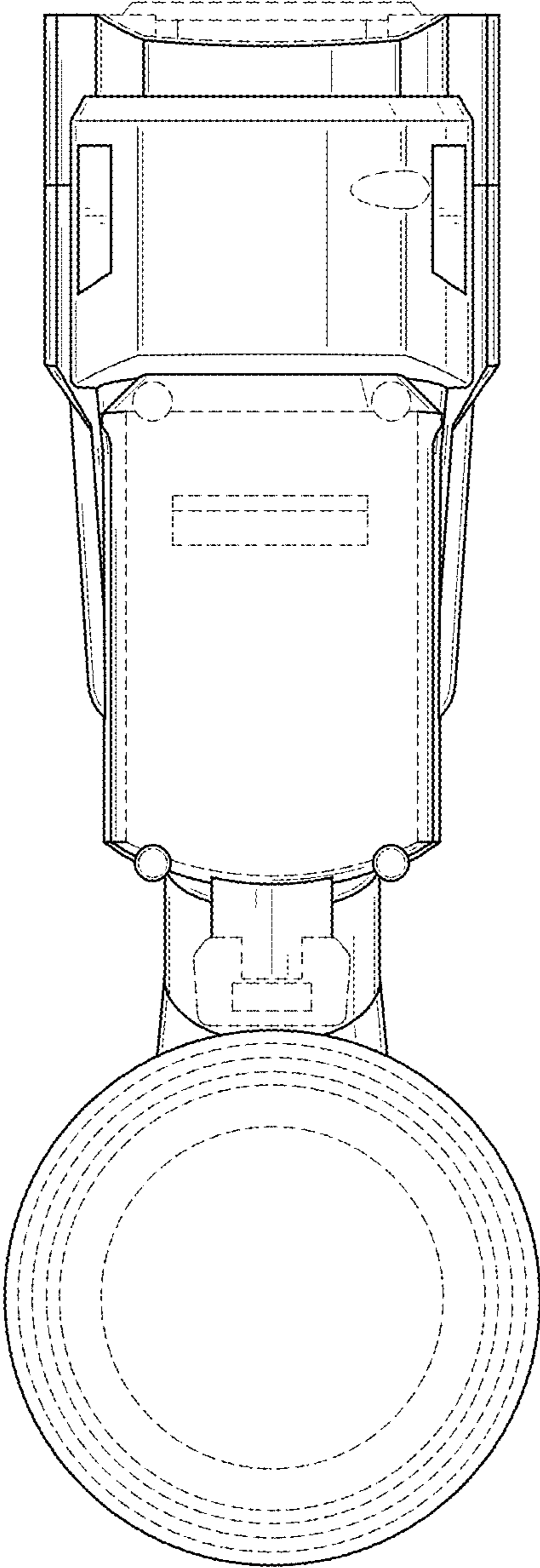


FIG. 7