

US00D968566S

(12) **United States Design Patent** (10) **Patent No.:** **US D968,566 S**  
**Kiefer** (45) **Date of Patent:** **\*\* Nov. 1, 2022**

(54) **FAUCET STREAM STRAIGHTENER**  
(71) Applicant: **Neoperl GmbH**, Mullheim (DE)  
(72) Inventor: **Thomas Kiefer**, Neuenburg (DE)  
(73) Assignee: **Neoperl GmbH**, Müllheim (DE)  
(\*\*) Term: **15 Years**

(21) Appl. No.: **35/511,725**  
(22) Filed: **Apr. 6, 2021**

(80) **Hague Agreement Data**

Int. Filing Date: **Apr. 6, 2021**  
Int. Reg. No.: **DM/213693**  
Int. Reg. Date: **Apr. 6, 2021**  
Int. Reg. Pub. Date: **Apr. 23, 2021**

(51) **LOC (13) Cl.** ..... **23-01**  
(52) **U.S. Cl.**

USPC ..... **D23/213**  
CPC ..... **E03C 1/08** (2013.01)

(58) **Field of Classification Search**

USPC ..... D23/213, 229, 233, 235, 247-249, 260,  
D23/264  
CPC ..... B05B 7/0425; E03C 1/08; E03C 1/084;  
E03C 1/086; E03C 2001/026  
See application file for complete search history.

(56) **References Cited**

**U.S. PATENT DOCUMENTS**

D536,417 S \* 2/2007 Buttgen ..... D23/213  
D537,916 S \* 3/2007 Buttgen ..... D23/213  
D699,816 S \* 2/2014 Blum ..... D23/249  
D728,738 S \* 5/2015 Birmelin ..... D23/213  
D728,740 S \* 5/2015 Tempel ..... D23/213  
D728,741 S \* 5/2015 Blum ..... D23/213  
D732,140 S \* 6/2015 Tempel ..... D23/213  
D733,255 S \* 6/2015 Blum ..... D23/213  
D745,641 S \* 12/2015 Blum ..... D23/249  
D752,710 S \* 3/2016 Tempel ..... D23/213

D753,792 S \* 4/2016 Blum ..... D23/213  
D776,242 S \* 1/2017 Blum ..... D23/213  
D788,264 S \* 5/2017 Stein ..... D23/213  
D788,881 S \* 6/2017 Birmelin ..... D23/213  
D791,921 S \* 7/2017 Blum ..... D23/249  
D797,236 S \* 9/2017 Blum ..... D23/213  
D812,722 S \* 3/2018 Blum ..... D23/249  
D822,159 S \* 7/2018 Tempel ..... D23/213  
D833,583 S \* 11/2018 Birmelin ..... D23/260  
D839,385 S \* 1/2019 Vögeli ..... D23/213  
D840,503 S \* 2/2019 Stein ..... D23/213  
D844,104 S \* 3/2019 Birmelin ..... D23/213  
D844,747 S \* 4/2019 Blum ..... D23/213  
D844,748 S \* 4/2019 Schürle ..... D23/213  
D849,888 S \* 5/2019 Schürle ..... D23/213  
D851,208 S \* 6/2019 Birmelin ..... D23/213  
D860,402 S \* 9/2019 Blum ..... D23/249  
D863,503 S \* 10/2019 Tempel ..... D23/213  
D866,709 S \* 11/2019 Schurle ..... D23/213  
D866,710 S \* 11/2019 Blum ..... D23/213  
D867,530 S \* 11/2019 Vogeli ..... D23/213  
D868,936 S \* 12/2019 Schurle ..... D23/213  
D871,553 S \* 12/2019 Blum ..... D23/249  
D872,226 S \* 1/2020 Stein ..... D23/213  
D895,765 S \* 9/2020 Vogeli ..... D23/213

(Continued)

*Primary Examiner* — Richard E Chilcot

(74) *Attorney, Agent, or Firm* — Volpe Koenig

(57) **CLAIM**

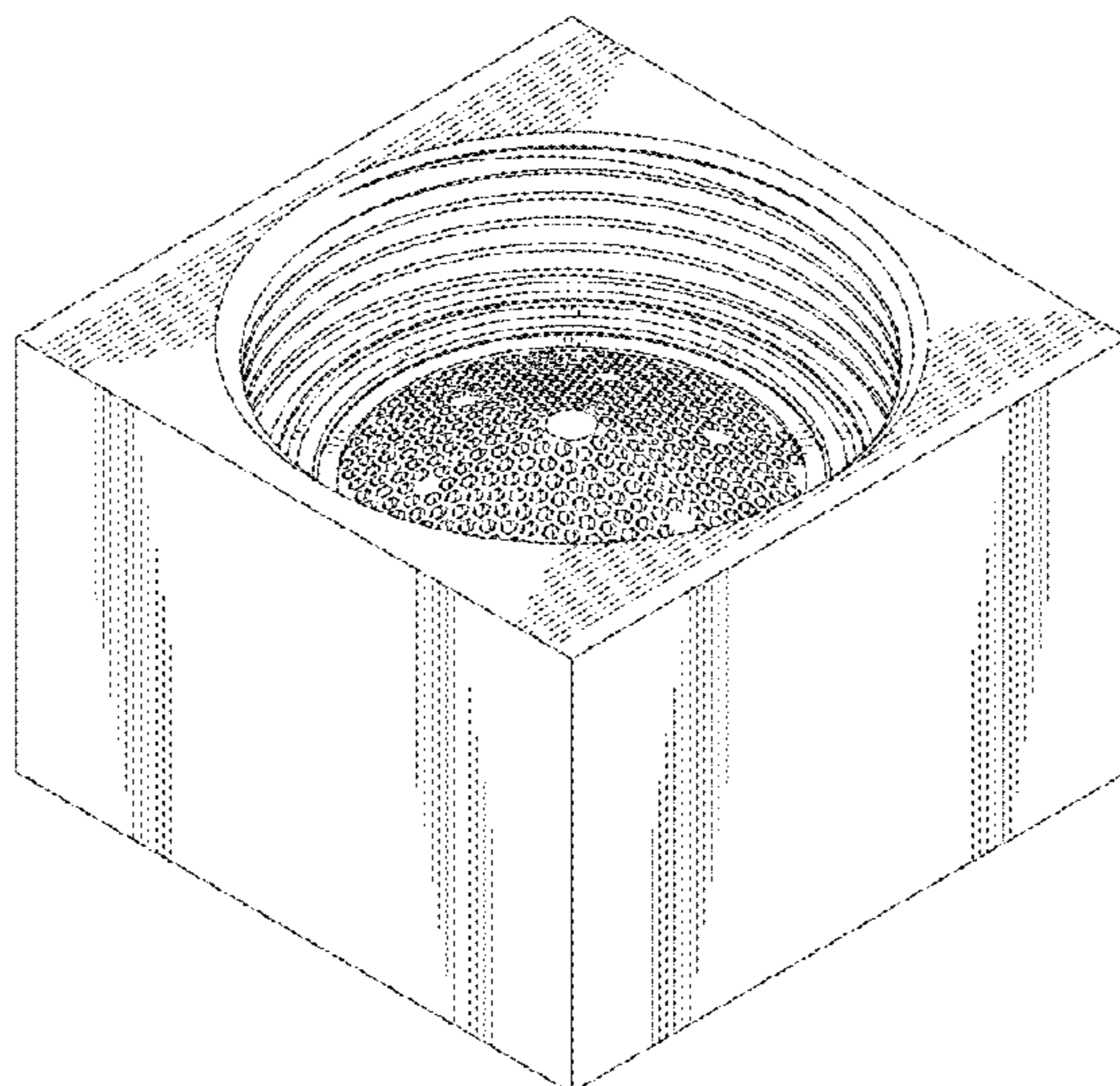
The ornamental design for a faucet stream straightener, as shown and described.

**DESCRIPTION**

1. Faucet stream straightener

- 1.1 : Top
- 1.2 : Perspective
- 1.3 : Bottom
- 1.4 : Perspective
- 1.5 : Left
- 1.6 : Front
- 1.7 : Right
- 1.8 : Back

**1 Claim, 8 Drawing Sheets**



(56)

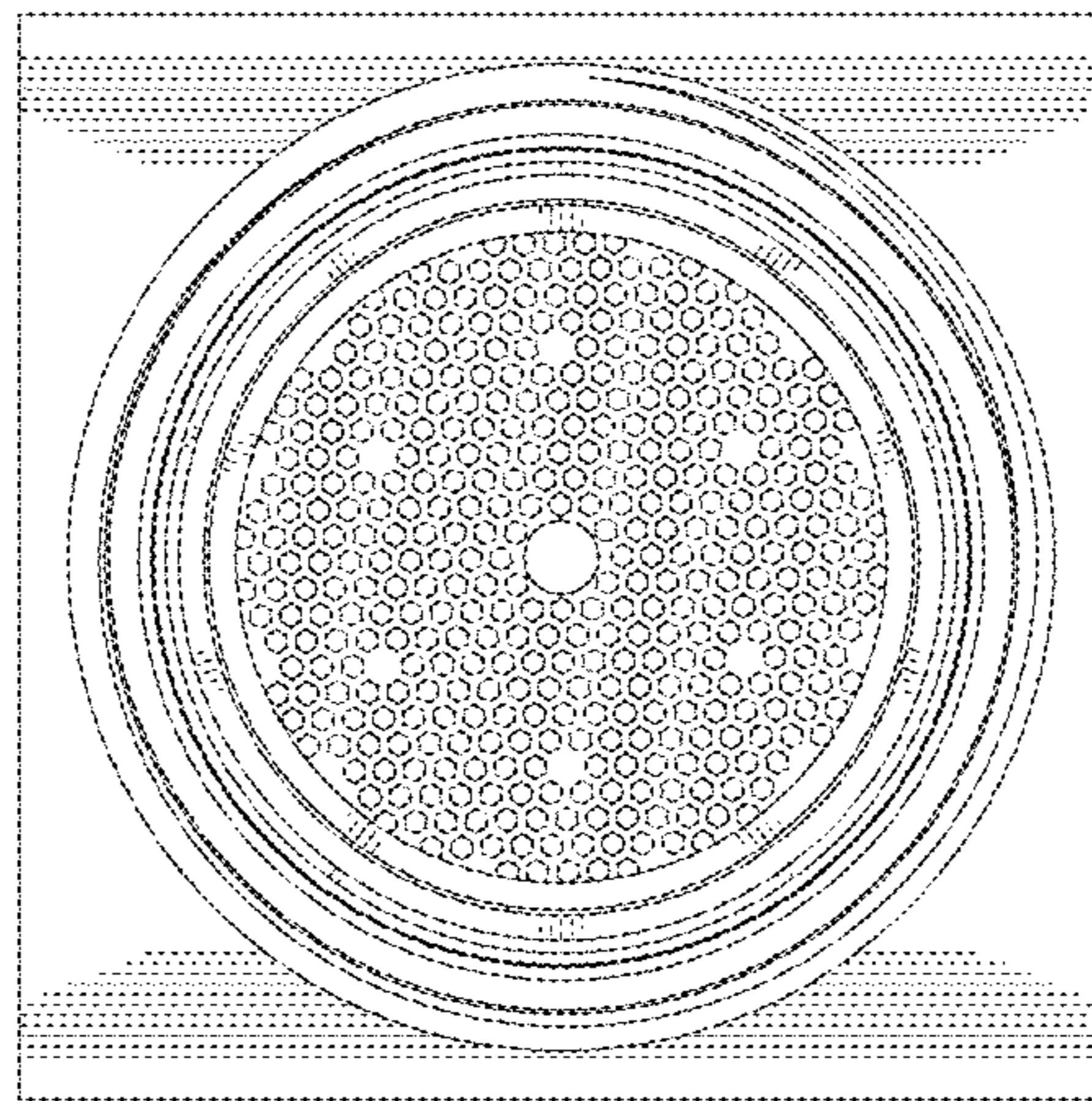
**References Cited**

U.S. PATENT DOCUMENTS

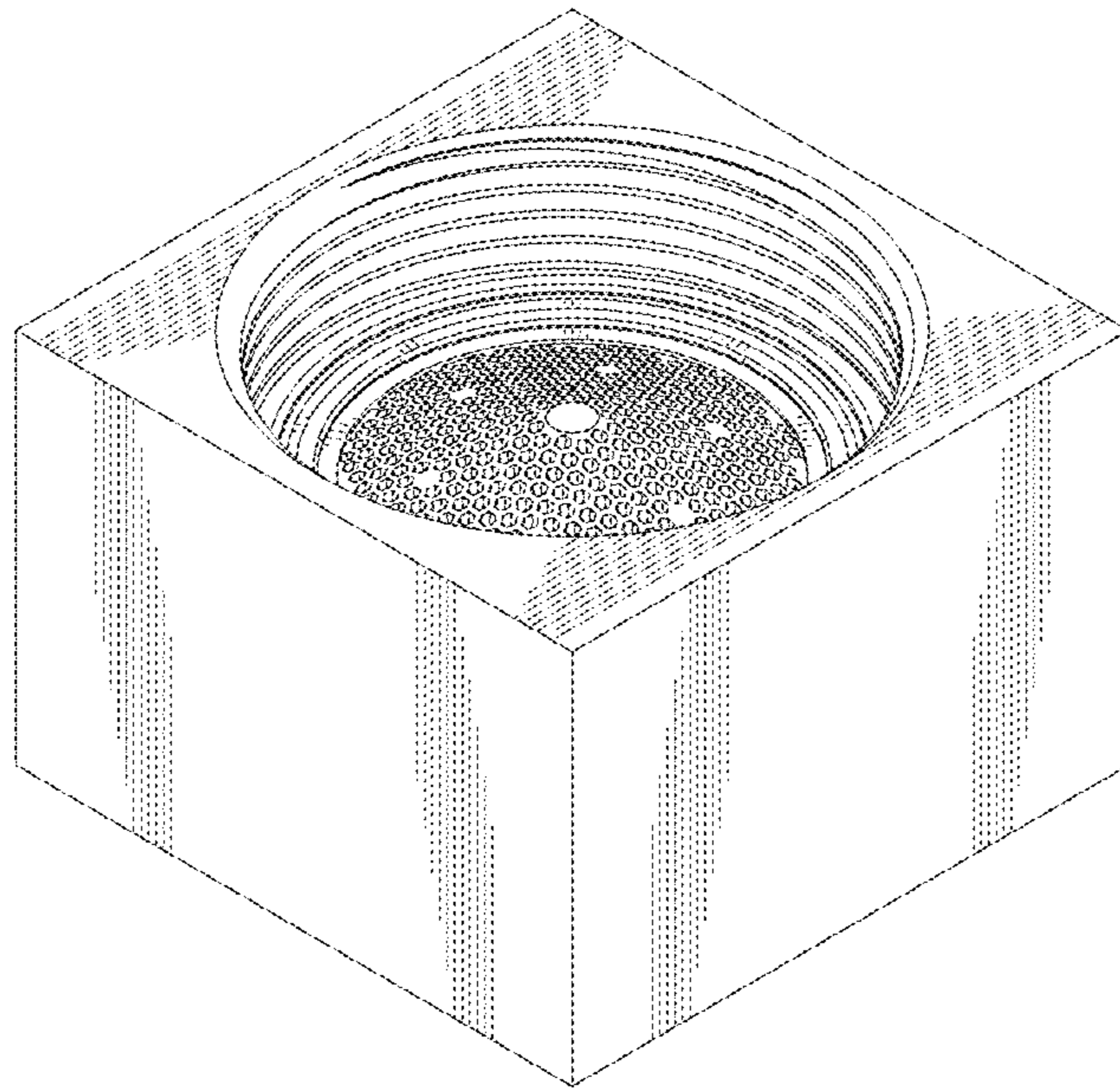
D898,163 S \* 10/2020 Tempel ..... D23/213  
D905,820 S \* 12/2020 Weiß ..... E03C 1/08  
D906,478 S \* 12/2020 Stein ..... E03C 1/08  
D920,475 S \* 5/2021 Michalak ..... D23/226  
D921,152 S \* 6/2021 Blum ..... D23/249  
D933,776 S \* 10/2021 Blum ..... D23/213  
D946,707 S \* 3/2022 Blum ..... D23/249  
D949,290 S \* 4/2022 Blum ..... D23/249  
2010/0102145 A1 \* 4/2010 Staedtler ..... E03C 1/08  
2016/0053471 A1 \* 2/2016 Loerch ..... E03C 1/086  
2017/0298600 A1 \* 10/2017 Rosko ..... E03C 1/084  
2017/0362804 A1 \* 12/2017 Moore ..... B05B 1/1645  
2019/0194918 A1 \* 6/2019 Schurle ..... E03C 1/084  
2020/0407955 A1 \* 12/2020 Keel ..... E03C 1/0411

\* cited by examiner

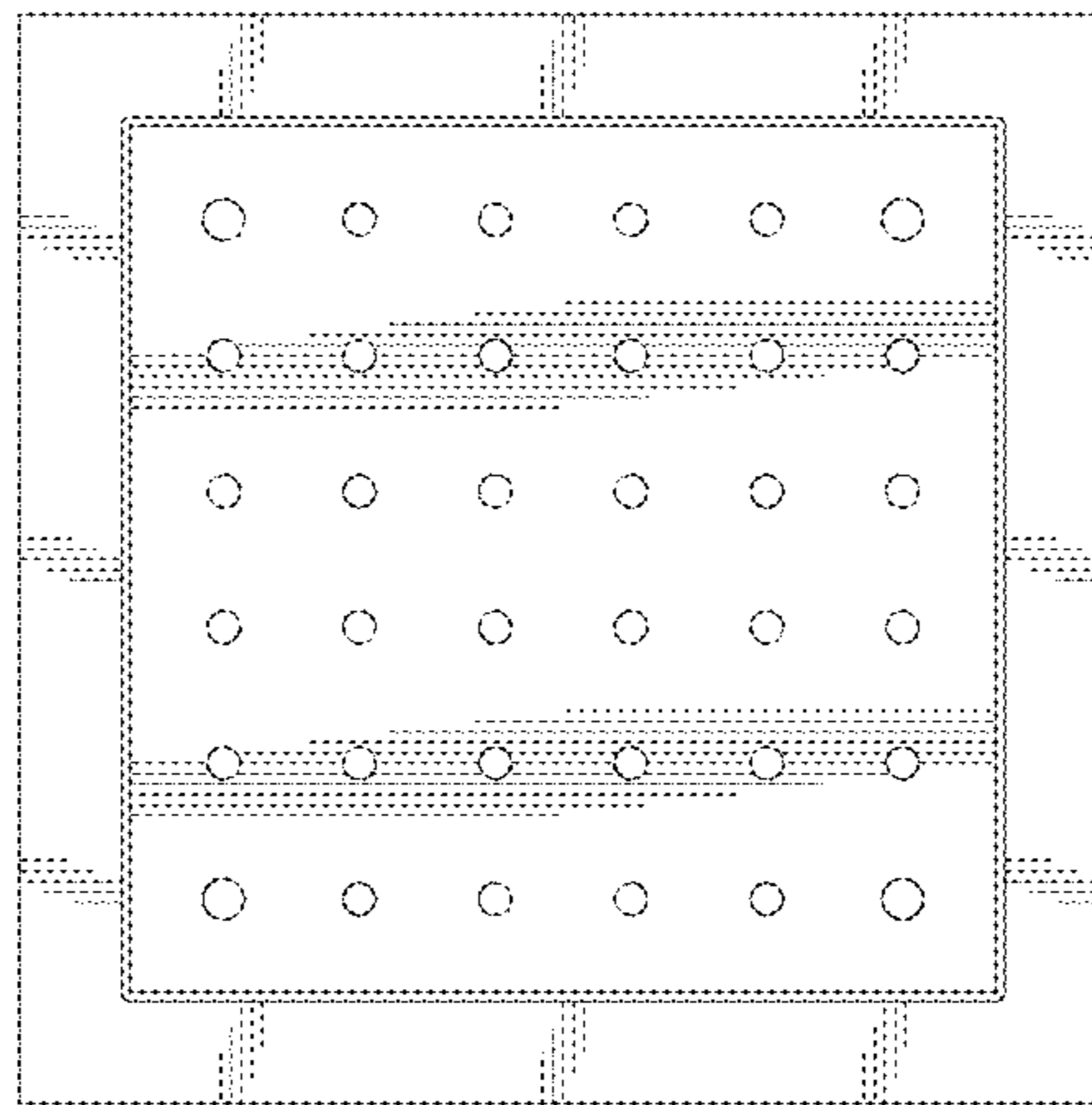
1.1



1.2

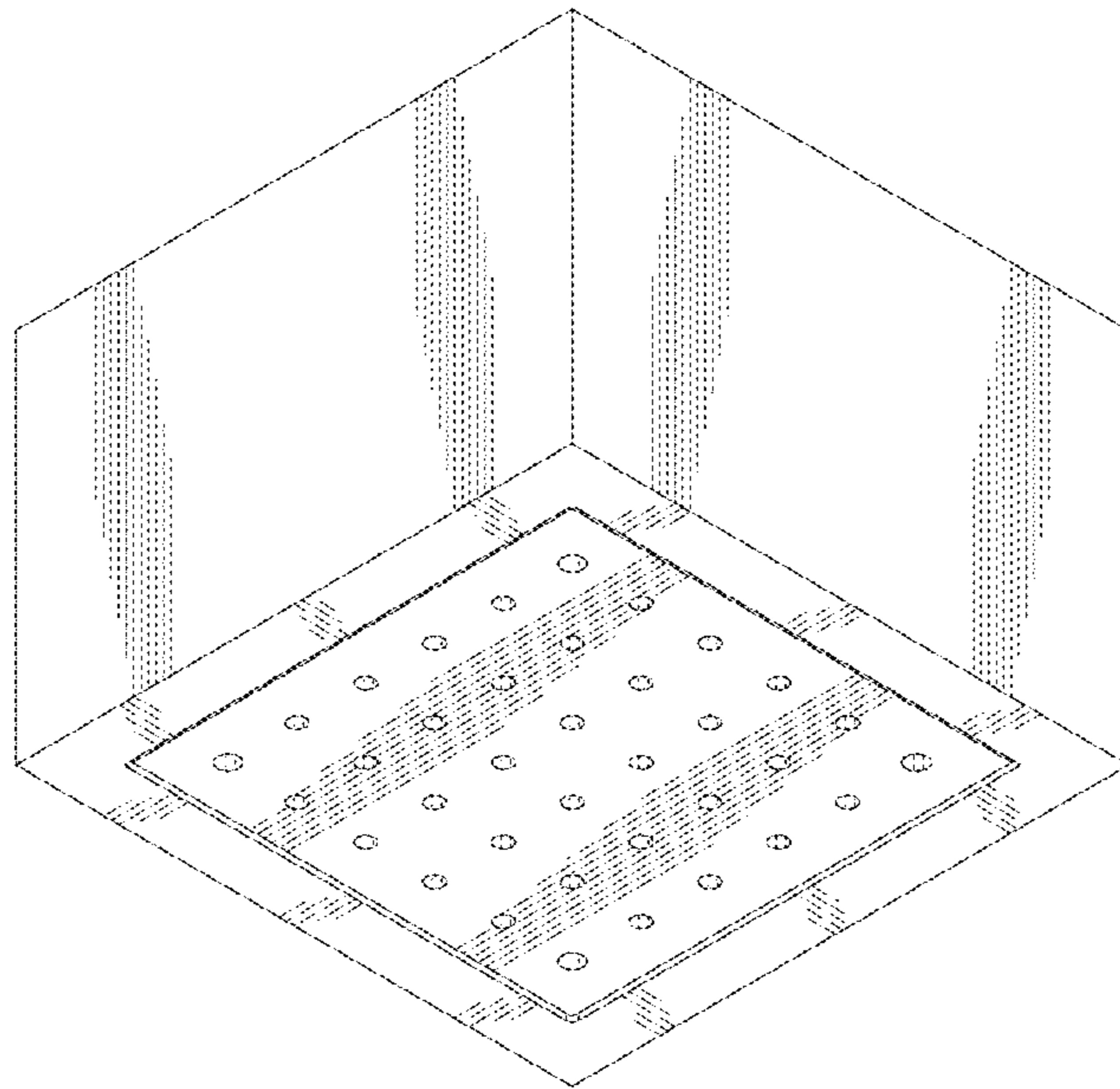


1.3

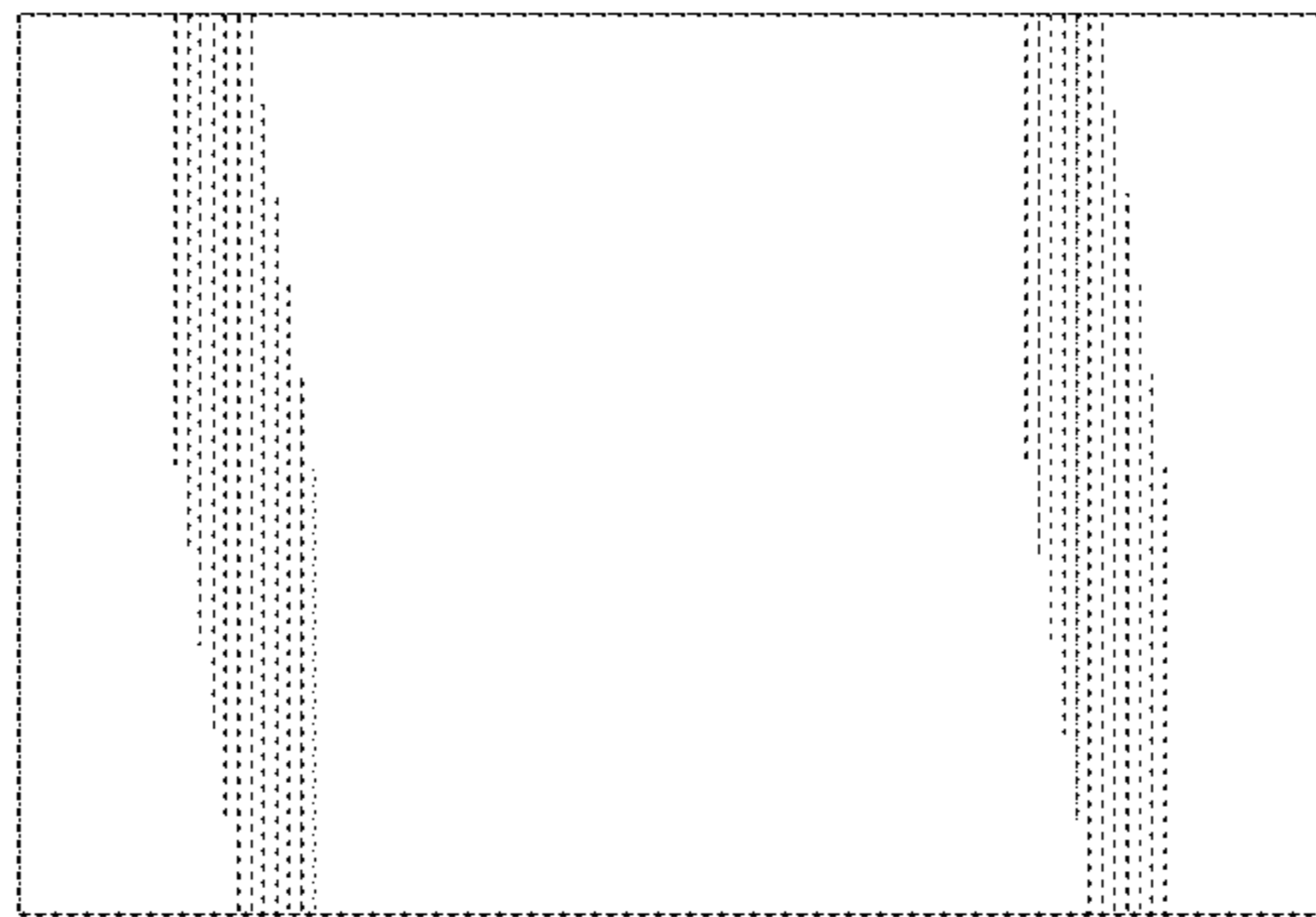




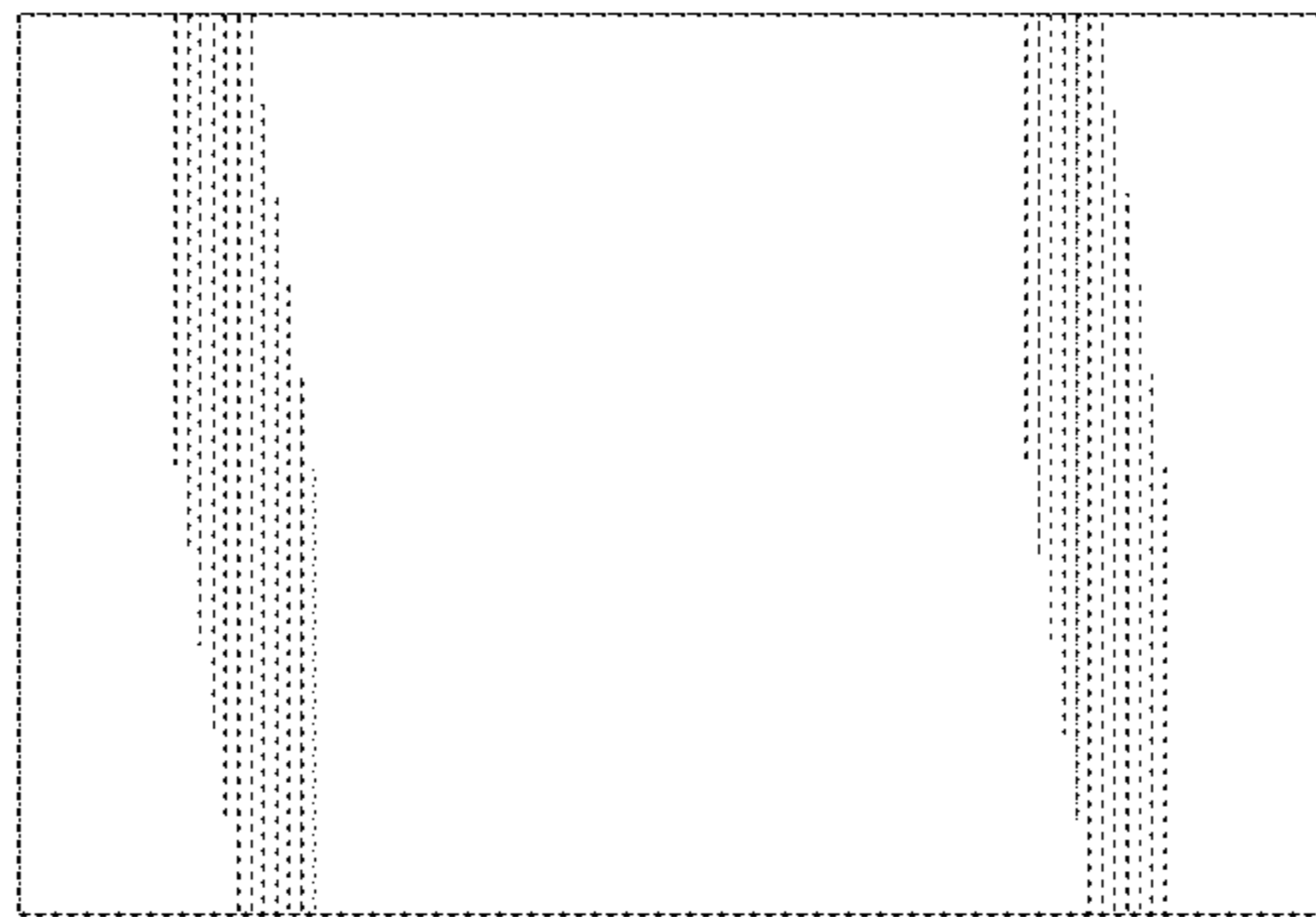
1.4



1.5

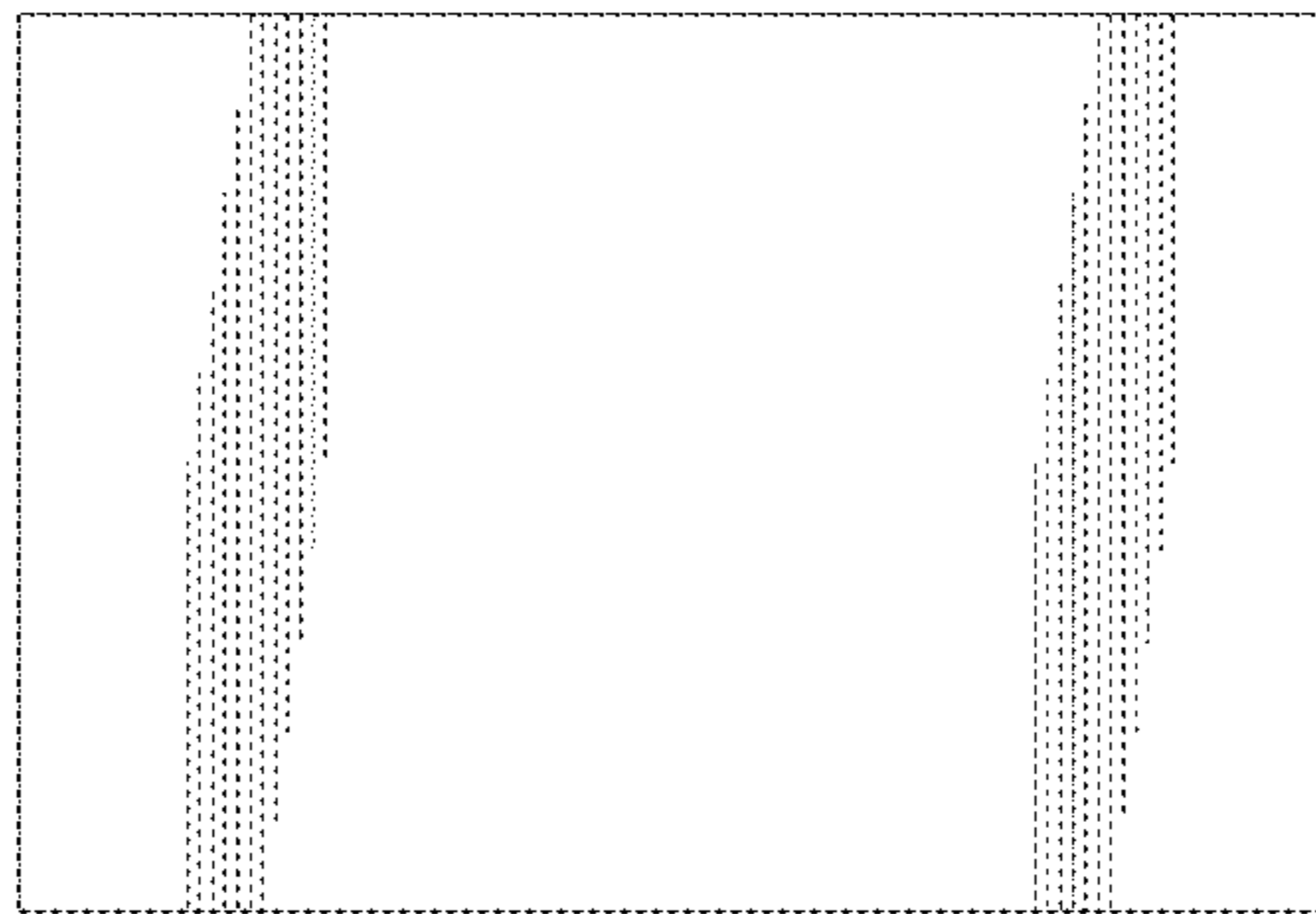


1.6





1.7



1.8

