



US00D968565S

(12) **United States Design Patent**  
**Lai et al.**

(10) **Patent No.:** **US D968,565 S**  
(45) **Date of Patent:** **\*\* \*Nov. 1, 2022**

(54) **FAUCET AERATOR**

D868,936 S \* 12/2019 Schurle ..... D23/213  
D905,820 S \* 12/2020 Wei ..... D23/213  
D933,776 S \* 10/2021 Blum ..... D23/213

(71) Applicant: **KYLIN Sanitary Technology**  
**(Xiamen) Co., Ltd., Xiamen (CN)**

(72) Inventors: **Cungui Lai**, Xiamen (CN);  
**Qingshuang Li**, Xiamen (CN); **Jiahao Du**, Xiamen (CN)

(\* ) Notice: This patent is subject to a terminal disclaimer.

(\*\*) Term: **15 Years**

(21) Appl. No.: **29/771,185**

(22) Filed: **Feb. 20, 2021**

(51) **LOC (13) Cl.** ..... **23-01**

(52) **U.S. Cl.**  
USPC ..... **D23/213**

(58) **Field of Classification Search**  
USPC ..... D23/213, 214, 215, 223, 224, 226, 229,  
D23/230  
CPC ..... A61H 9/0021; A61H 33/00; B05B 1/00;  
B05B 1/14; B05B 1/185; B05B 1/08;  
B05B 1/02; B05B 1/26; B05B 12/002;  
B05B 1/18; B05B 9/01  
See application file for complete search history.

(56) **References Cited**

**U.S. PATENT DOCUMENTS**

3,358,934 A \* 12/1967 Moen ..... E03C 1/084  
239/443  
D293,708 S \* 1/1988 Shames ..... D23/230  
D674,877 S \* 1/2013 Jones ..... D23/213  
D676,525 S \* 2/2013 Jones ..... D23/213

**OTHER PUBLICATIONS**

Faucet Aerator Male Thread 360-degree Swivel, Nov. 7, 2019, amazon.com, Nov. 18, 2021, URL: <https://www.amazon.com/360-degree-Kitchen-Sink-Replacement-Nozzle-15-Inch-27UNS/dp/B07ZPTDQYJ> (Year: 2019).\*

720 Degree Swivel Sink Faucet Aerator, 720° Big Angle Dual Function, Dec. 20, 2020, amazon.com, Nov. 18, 2021, URL: <https://www.amazon.com/HOTLLR-Kitchen-Aerator-function-Sprayer/dp/B08R2QSRBQ/> (Year: 2020).\*

360 Degree Swivel Sink Faucet Aerator, Big Angle High Pressure Large Flow Aerator, Jun. 23, 2020, amazon.com, Nov. 18, 2020, URL: <https://www.amazon.com/Waternymph-Aerator-Function-Brushed-Nickel-Pressure/dp/B0882PFMD1> (Year: 2020).\*

\* cited by examiner

*Primary Examiner* — Keith J Wilson

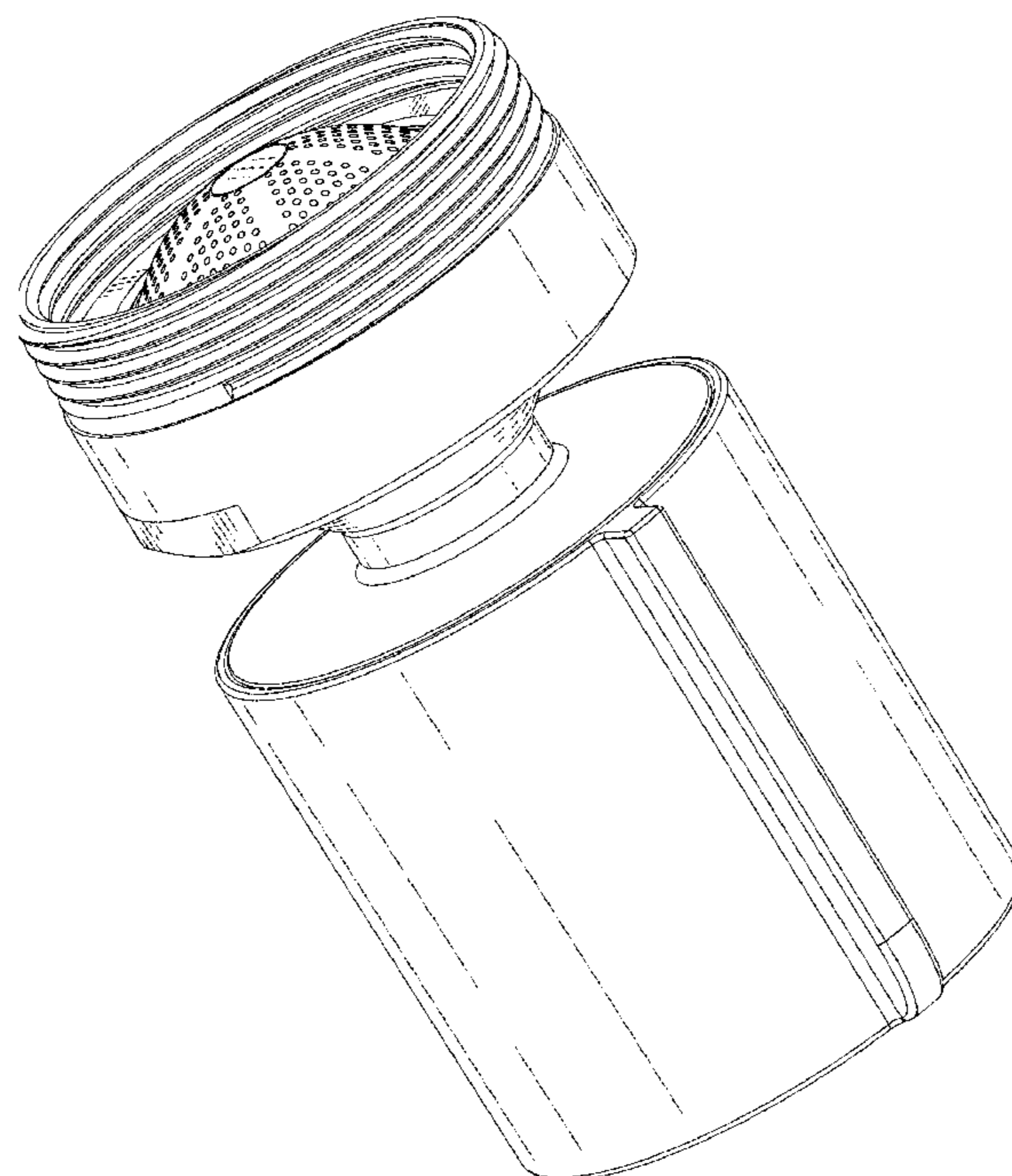
(57) **CLAIM**

The ornamental design for a faucet aerator, as shown and described.

**DESCRIPTION**

FIG. 1 is a top front perspective view of a faucet aerator showing the claimed design;  
FIG. 2 is a bottom front perspective view thereof;  
FIG. 3 is a front elevational view thereof;  
FIG. 4 is a rear elevational view thereof;  
FIG. 5 is a left side elevational view thereof;  
FIG. 6 is a right side elevational view thereof;  
FIG. 7 is a top plan view thereof; and,  
FIG. 8 is a bottom plan view thereof.

**1 Claim, 8 Drawing Sheets**



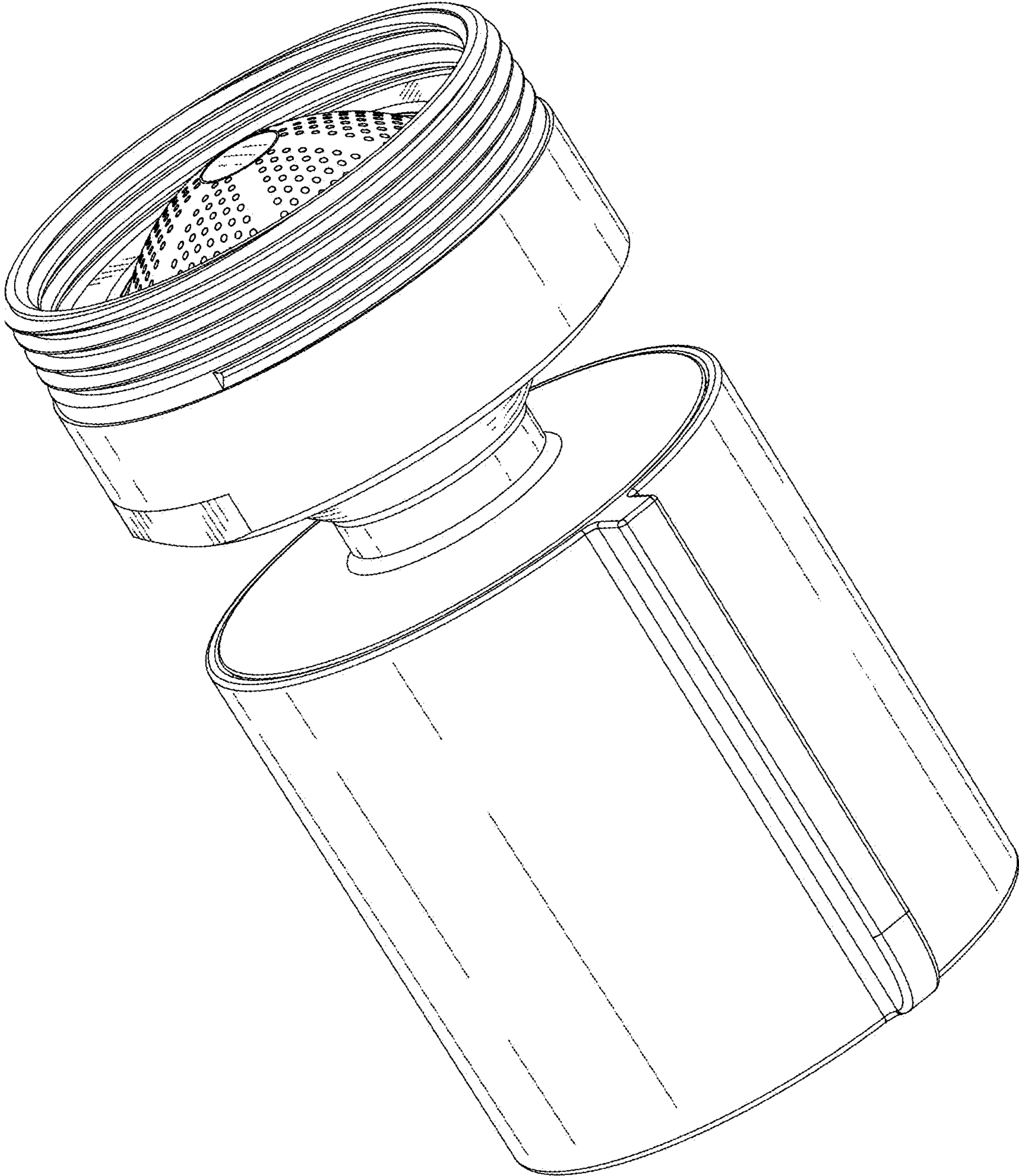


Fig. 1

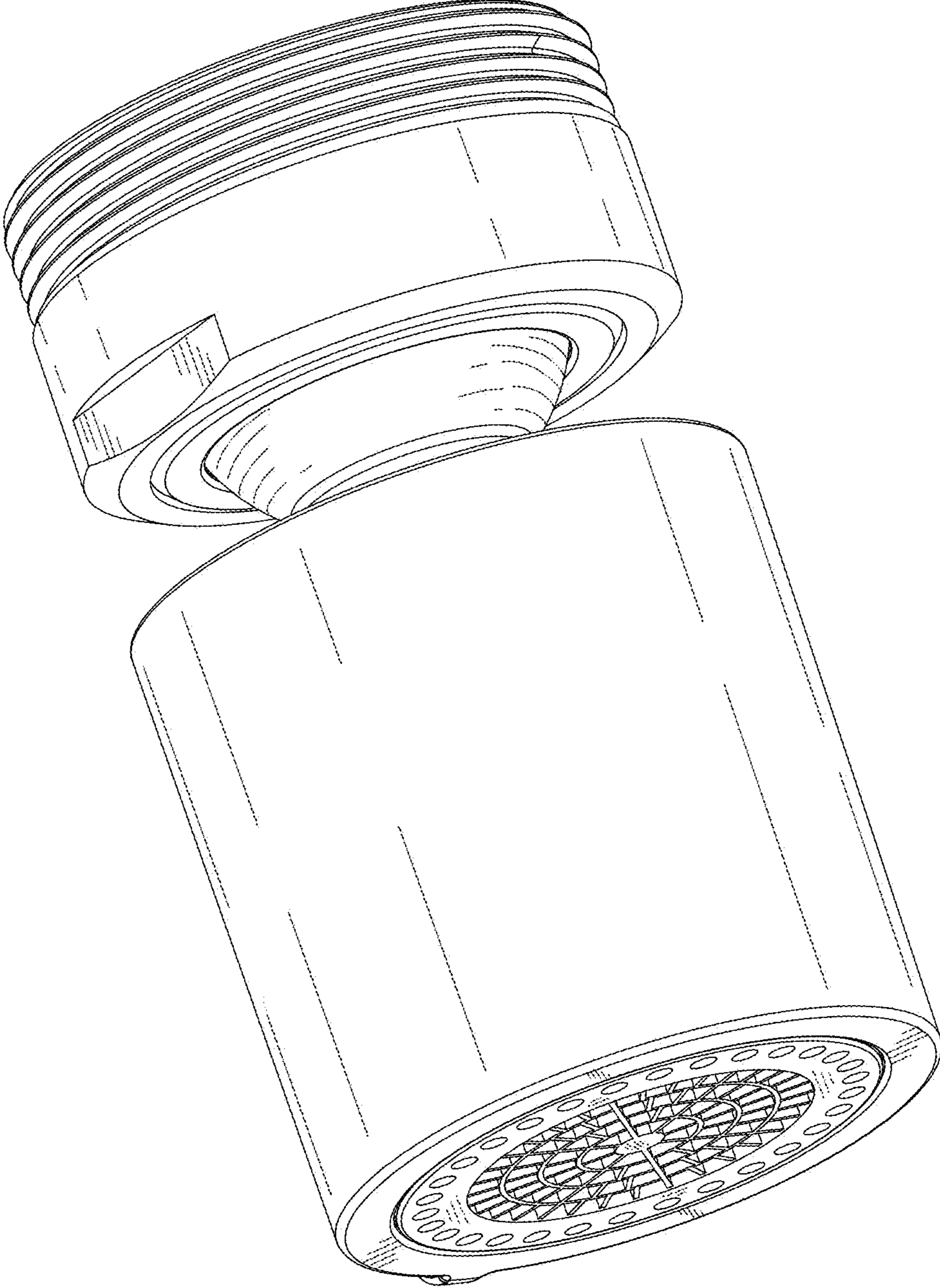


Fig. 2

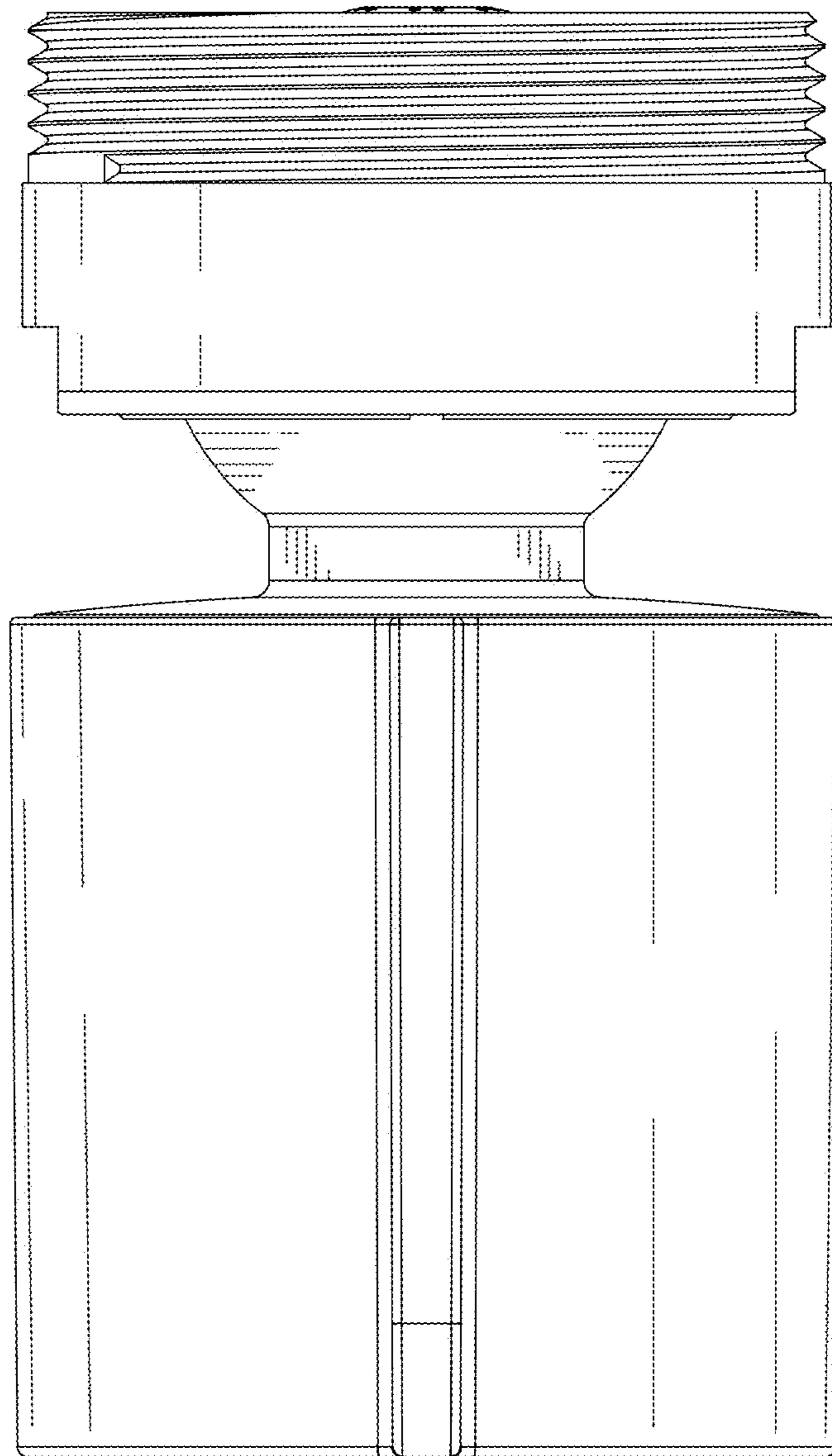


Fig. 3

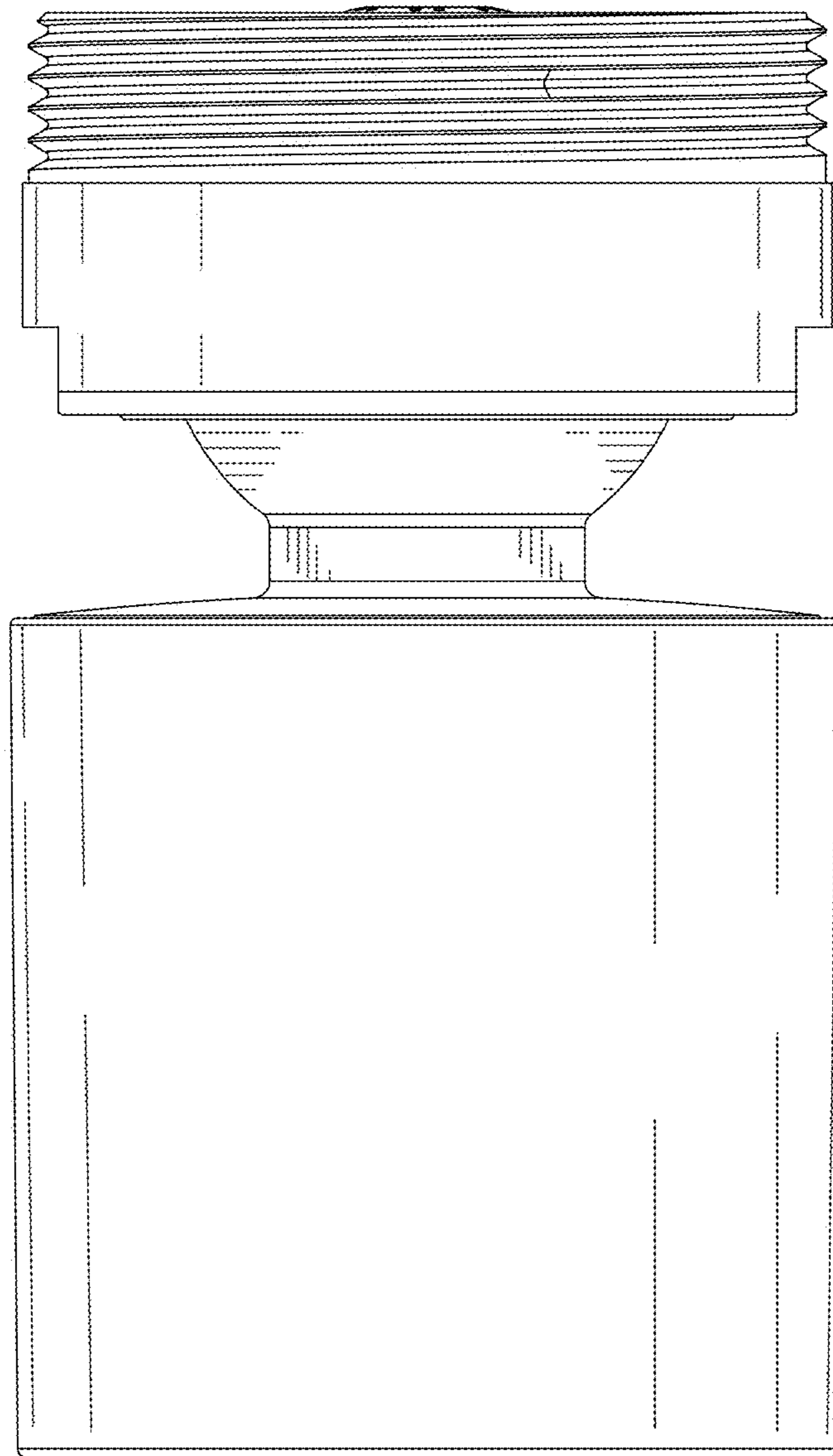


Fig. 4

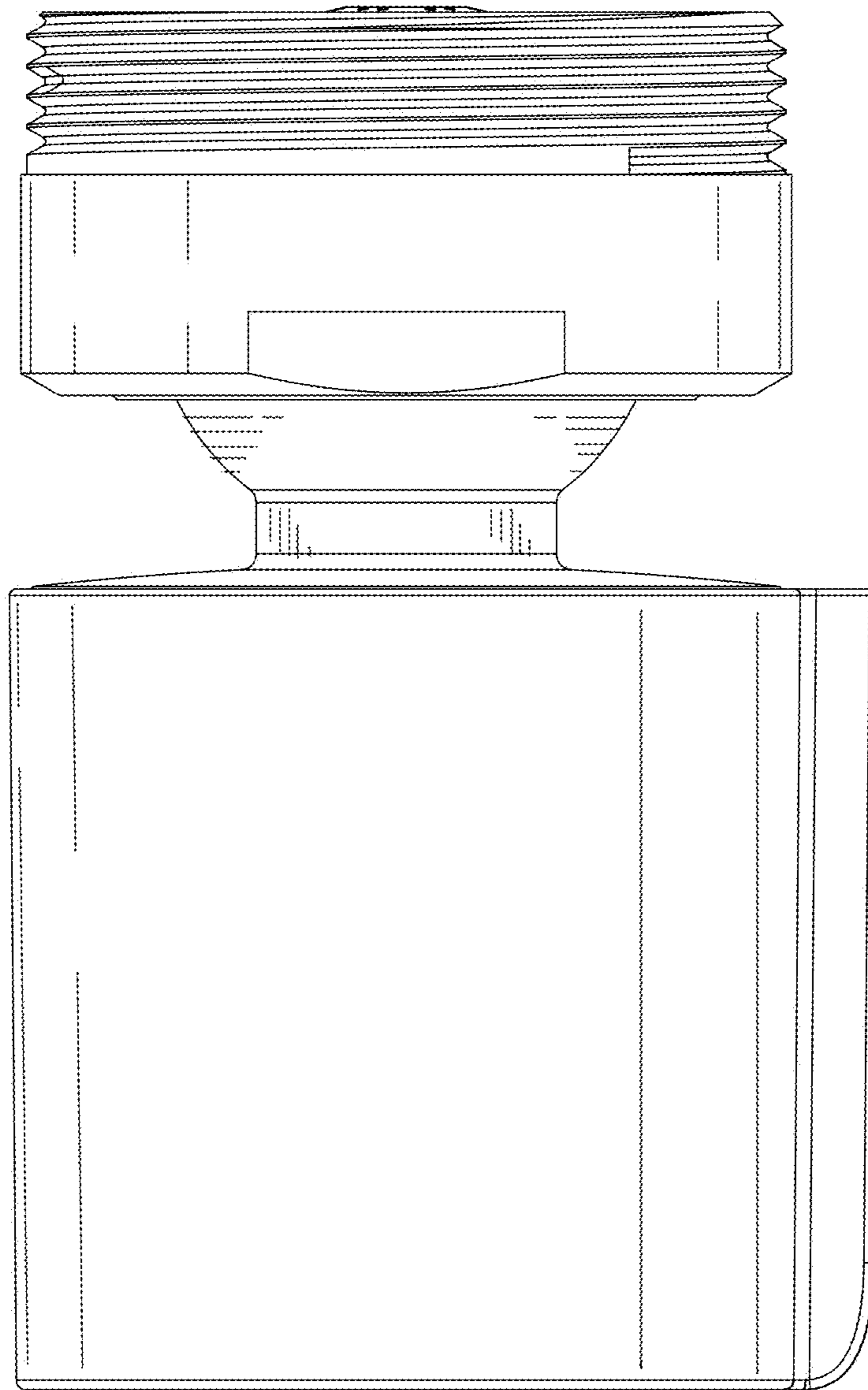


Fig. 5

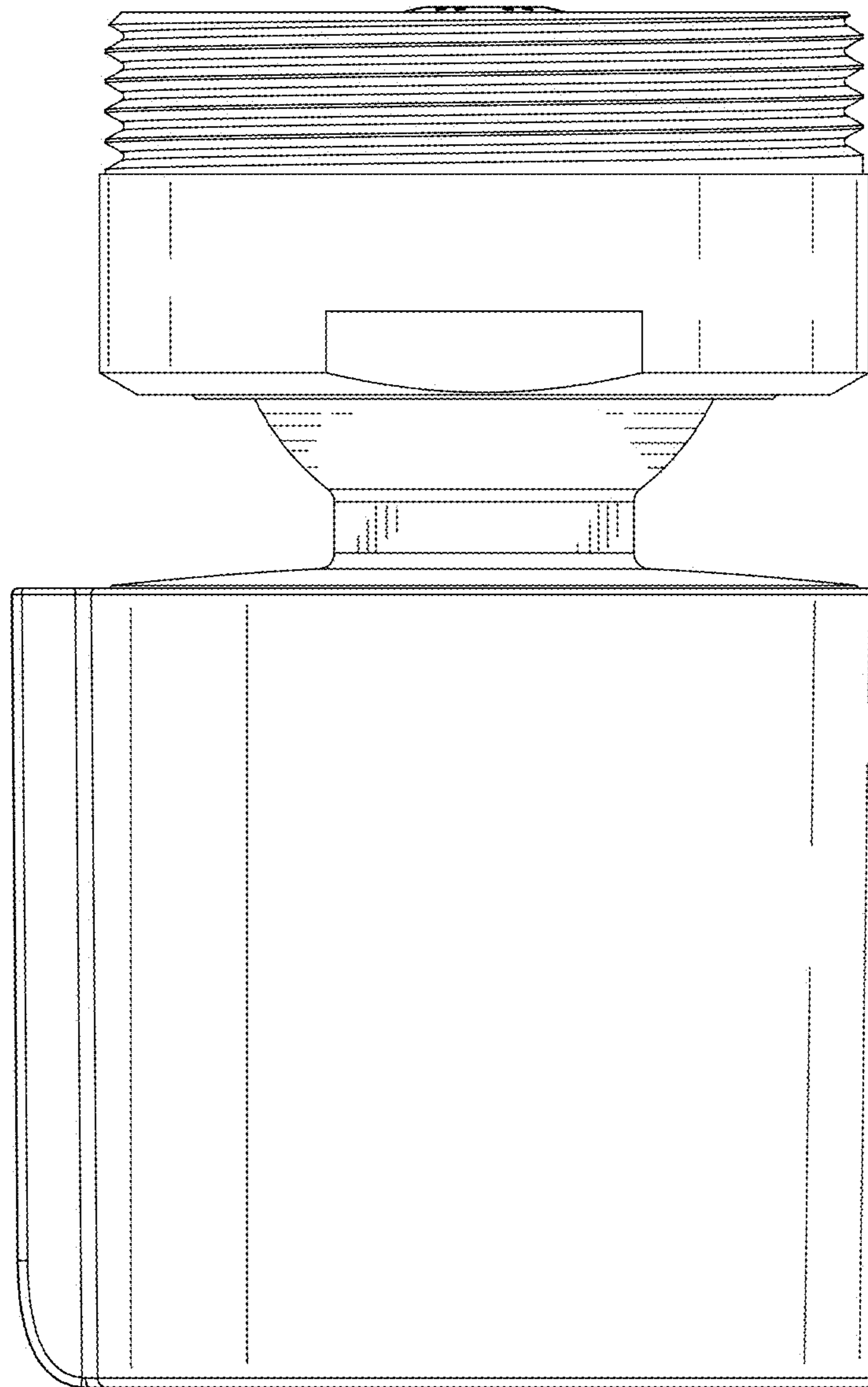


Fig. 6

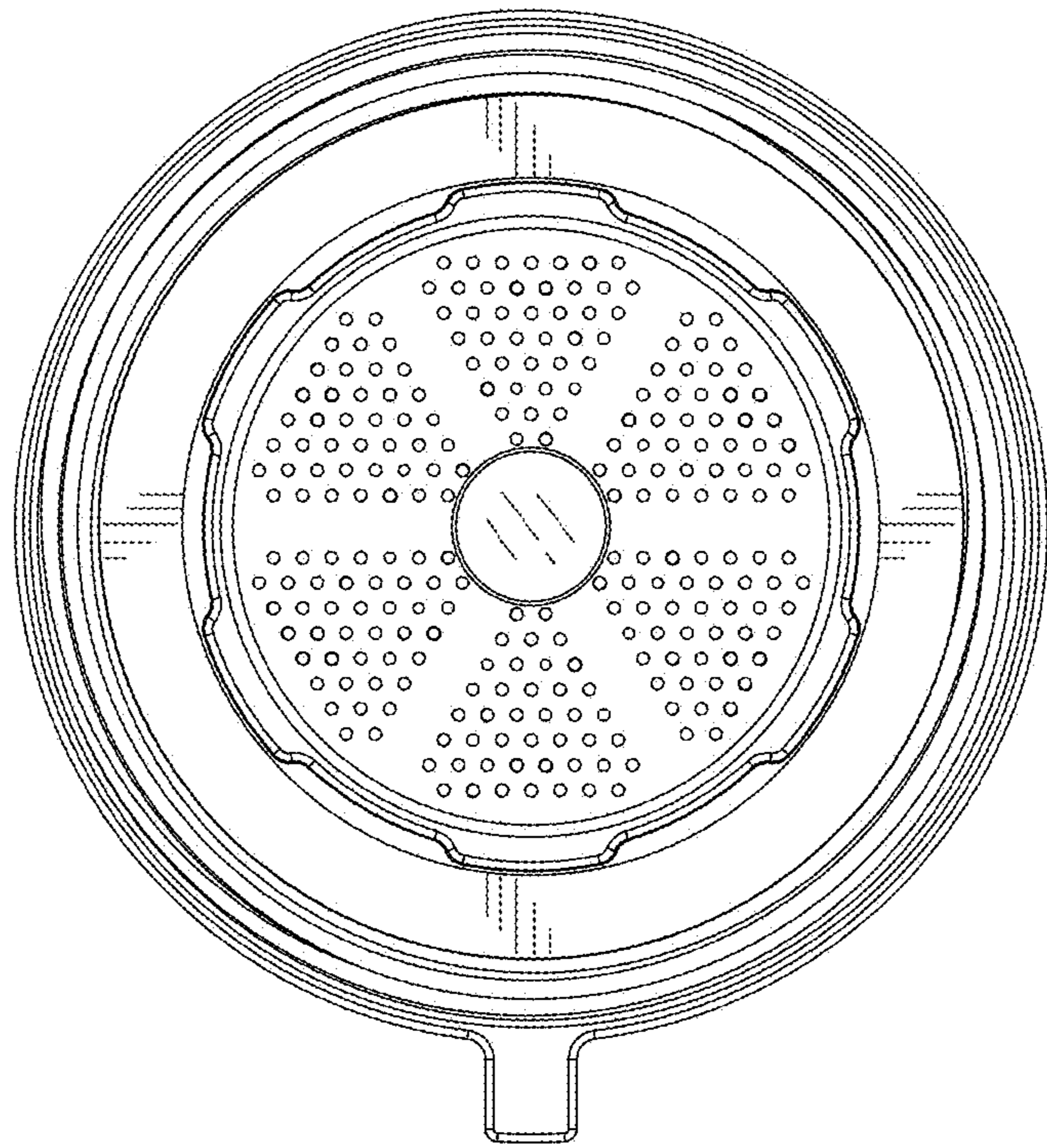


Fig. 7



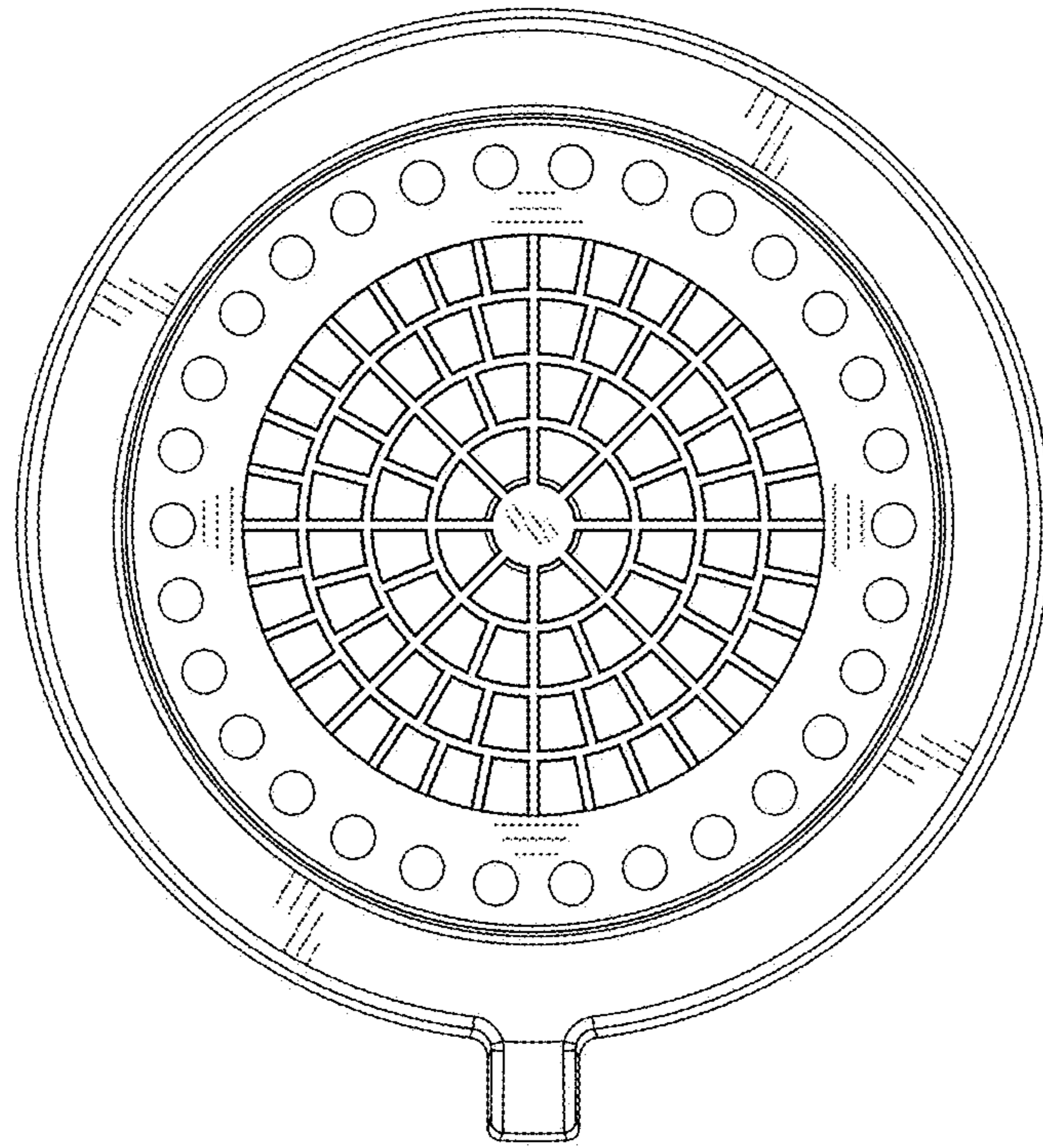


Fig. 8