



US00D968562S

(12) **United States Design Patent** (10) **Patent No.:** **US D968,562 S**  
**Carriere et al.** (45) **Date of Patent:** **\*\* Nov. 1, 2022**

(54) **WATER MODULES FOR ABOVE-GROUND SWIMMING POOLS**

(71) Applicant: **Groupe VIF Inc.**, Sainte-Hyacinthe (CA)

(72) Inventors: **Thierry Carriere**, Sainte-Hyacinthe (CA); **Maxime Guay-Guillemette**, Saint-Hyacinthe (CA); **Carl Viens**, Saint-Hyacinthe (CA)

(73) Assignee: **Groupe VIF Inc.**, Sainte-Hyacinthe (CA)

(\*\*) Term: **15 Years**

(21) Appl. No.: **29/687,954**

(22) Filed: **Apr. 17, 2019**

(30) **Foreign Application Priority Data**

Oct. 17, 2018 (CA) ..... CA 184218

(51) **LOC (13) Cl.** ..... **23-01**

(52) **U.S. Cl.**  
USPC ..... **D23/213**

(58) **Field of Classification Search**  
USPC ..... D23/213, 214, 215, 222, 223, 224, 226, D23/229, 230, 262  
CPC ..... A61H 9/0021; A61H 33/00; B05B 1/00; B05B 1/14; B05B 1/185; B05B 1/08; B05B 1/02; B05B 1/26; B05B 12/002; B05B 1/18; B05B 9/01  
See application file for complete search history.

(56) **References Cited**

**U.S. PATENT DOCUMENTS**

D216,883 S \* 3/1970 Katzman ..... D23/215  
D323,205 S \* 1/1992 Klose ..... D23/222  
5,125,577 A \* 6/1992 Frankel ..... E03C 1/02  
239/211

5,291,621 A \* 3/1994 Mathis ..... A61H 33/027  
239/414  
5,769,327 A \* 6/1998 Kure ..... A62C 31/02  
239/543  
D450,804 S \* 11/2001 Srinath ..... D23/213  
D478,653 S \* 8/2003 Fratilla ..... D23/213

(Continued)

**OTHER PUBLICATIONS**

Creexeon SN-007 Pressure Washer Sewer Jetter Nozzle, Oct. 30, 2018, amazon.ca, Mar. 29, 2022, URL: <https://www.amazon.ca/dp/B0753DLVQN/> (Year: 2018).\*

(Continued)

*Primary Examiner* — Keith J Wilson

(74) *Attorney, Agent, or Firm* — Harness, Dickey & Pierce, P.L.C.

(57) **CLAIM**

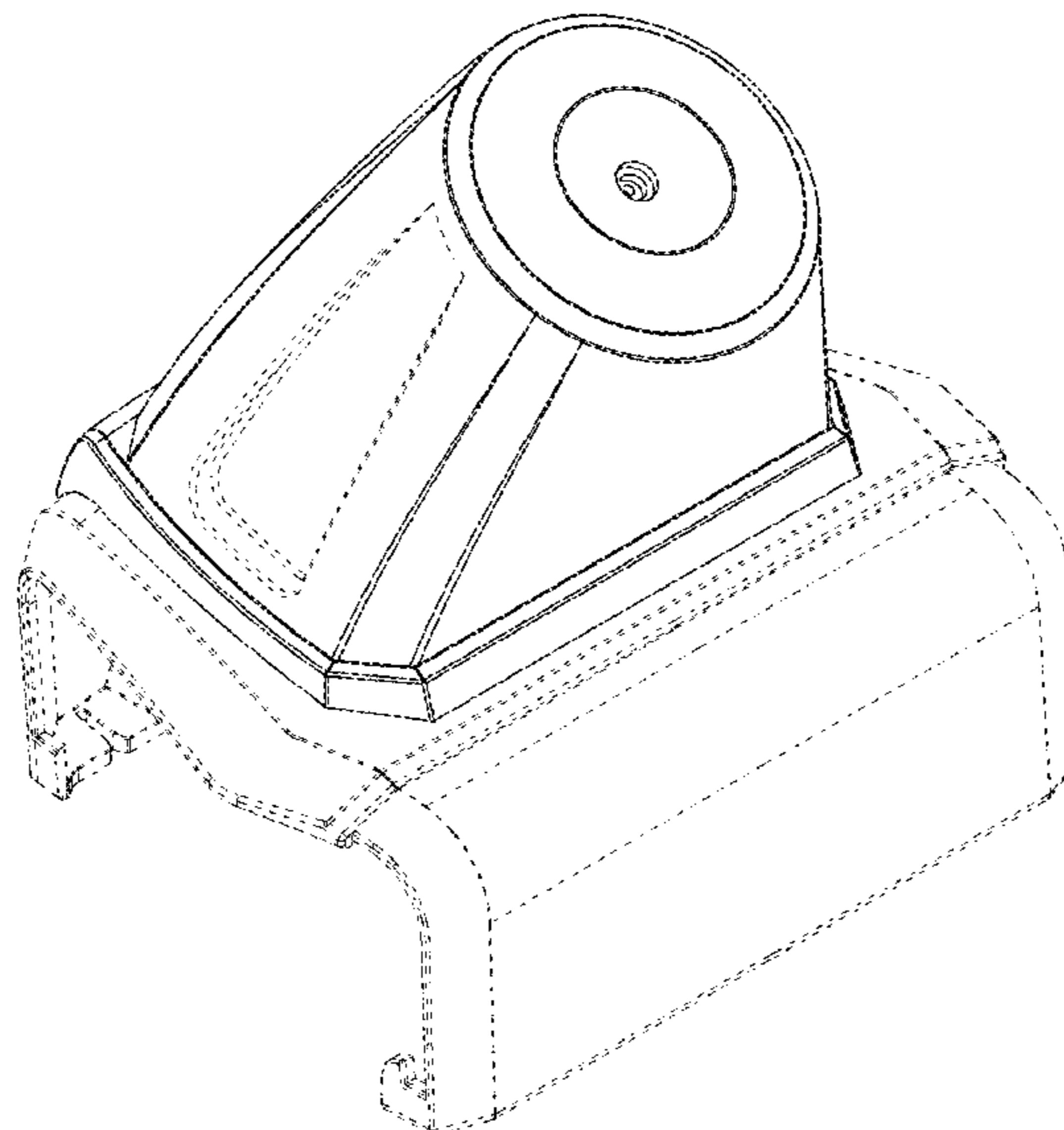
The ornamental design for a water module for above-ground swimming pools, as shown and described.

**DESCRIPTION**

FIG. 1 is a perspective view of a water module;  
FIG. 2 is a front elevation view of the water module shown in FIG. 1;  
FIG. 3 is a rear elevation view of the water module shown in FIG. 1;  
FIG. 4 is left-side elevation view of the water module shown in FIG. 1;  
FIG. 5 is right-side elevation view of the water module shown in FIG. 1;  
FIG. 6 is a top plan view of the water module shown in FIG. 1; and,  
FIG. 7 is a bottom plan view of the water module shown in FIG. 1.

The portions of the figures shown in broken lines do not form part of the claimed design.

**1 Claim, 7 Drawing Sheets**



(56)

References Cited

U.S. PATENT DOCUMENTS

6,702,451 B1 \* 3/2004 Daane ..... A61H 33/6063  
 222/113  
 D501,040 S \* 1/2005 Gieson ..... A47K 3/005  
 D23/222  
 7,246,760 B2 \* 7/2007 Marty ..... B05B 15/654  
 239/587.4  
 D577,100 S \* 9/2008 Brown ..... D23/213  
 D598,561 S \* 8/2009 Vogtner ..... D24/204  
 D610,226 S \* 2/2010 Yabe ..... D23/213  
 7,878,419 B2 \* 2/2011 Waddelow ..... A62C 31/05  
 239/104  
 D670,786 S \* 11/2012 Mauchle ..... D23/213  
 D676,927 S \* 2/2013 Svendsen ..... D23/223  
 D691,699 S \* 10/2013 Berger ..... D23/213  
 D693,473 S \* 11/2013 Steimle ..... D24/201  
 D703,338 S \* 4/2014 Walsh ..... D24/201  
 D734,427 S \* 7/2015 Bygbjerg ..... D23/213  
 D800,249 S \* 10/2017 Irwin ..... D23/213  
 D865,073 S \* 10/2019 Weisman ..... D21/473  
 10,604,955 B1 \* 3/2020 Goettl ..... E04H 4/169  
 D900,961 S \* 11/2020 Wright ..... D23/213  
 10,849,465 B2 \* 12/2020 Zeanah ..... E03C 1/0404  
 D943,061 S \* 2/2022 McIntyre, II ..... F02C 7/222  
 D23/214

11,247,217 B2 \* 2/2022 Jang ..... D01D 5/14  
 11,253,438 B2 \* 2/2022 Rodrigues ..... A61K 8/0241  
 D944,927 S \* 3/2022 Garland ..... D23/226  
 D945,537 S \* 3/2022 Gil ..... D21/565  
 2011/0138530 A1 \* 6/2011 Johnson ..... A61H 33/6021  
 4/541.6  
 2012/0174312 A1 \* 7/2012 Loyd ..... A61H 33/6021  
 4/541.6  
 2013/0031711 A1 \* 2/2013 Walsh ..... E04H 4/1209  
 4/492  
 2020/0095791 A1 \* 3/2020 Marano ..... E04H 4/12  
 2021/0251847 A1 \* 8/2021 Tran ..... A61H 33/6047  
 2022/0040713 A1 \* 2/2022 Mock ..... B05B 15/65

OTHER PUBLICATIONS

Stainless Steel SS304 Drain Blaster Cleaning Nozzle, Oct. 18, 2017, amazon.ca, Mar. 29, 2022, URL: <https://www.amazon.ca/dp/B076KLQWNT/> (Year: 2017).\*

Pressure Sewer Cleaning Pipe Drain Blaster Cleaning Jetter Nozzle, Apr. 23, 2018, amazon.ca, Mar. 29, 2022, URL: <https://www.amazon.ca/Pressure-Cleaning-Blaster-Jetter-Stainless/dp/B07CKVMJL5/> (Year: 2018).\*

\* cited by examiner

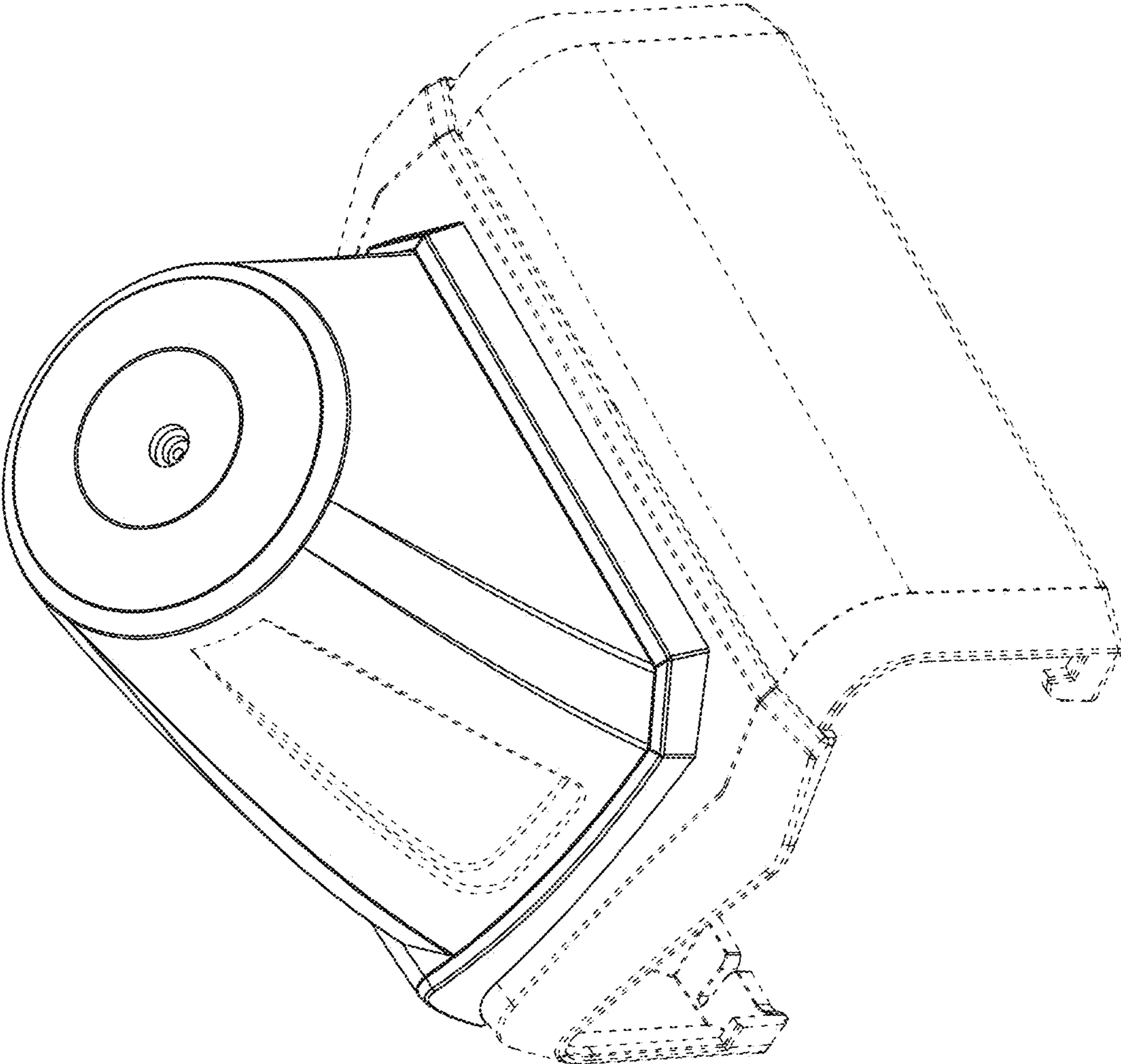


FIG. 1

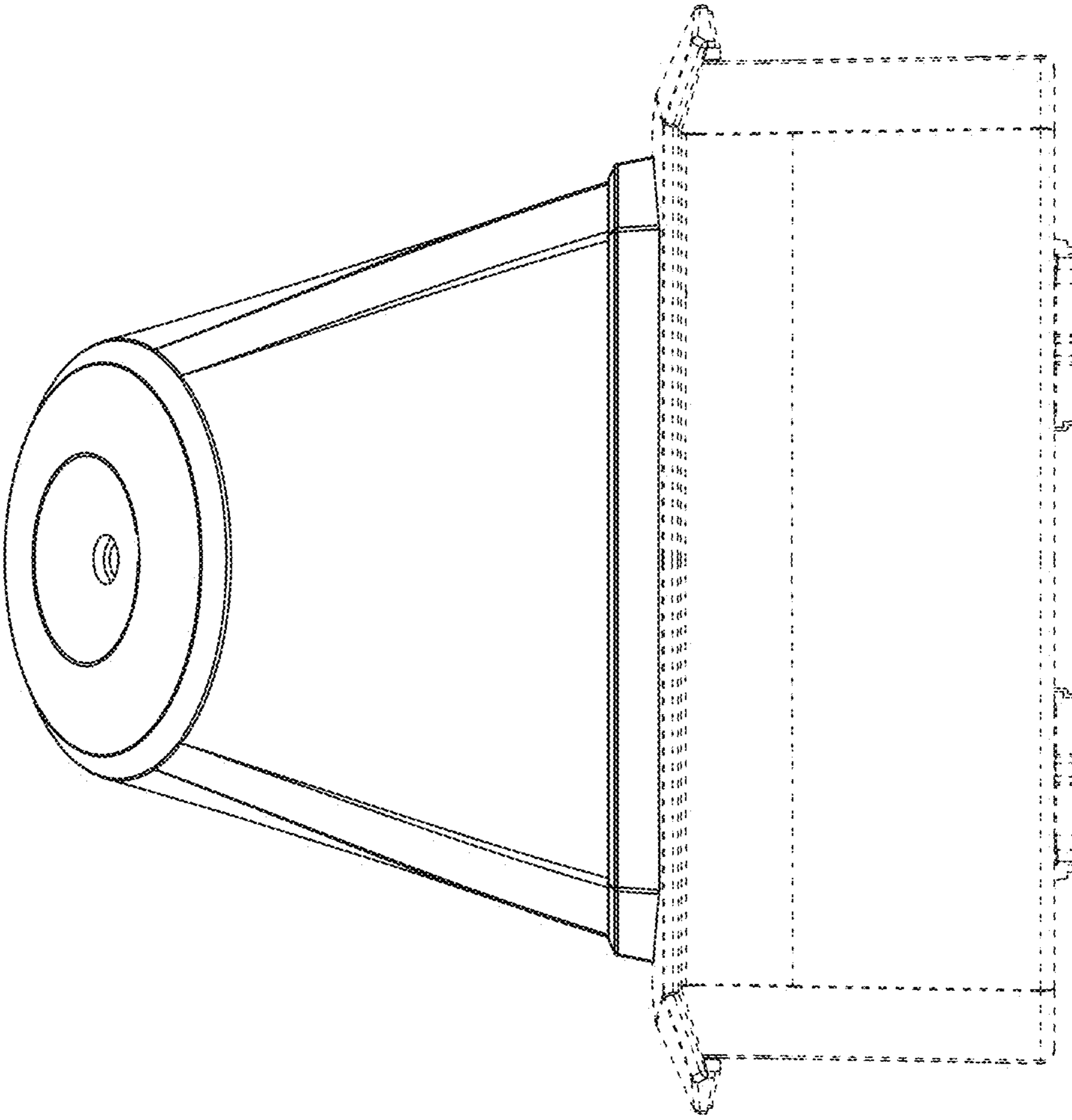


FIG. 2

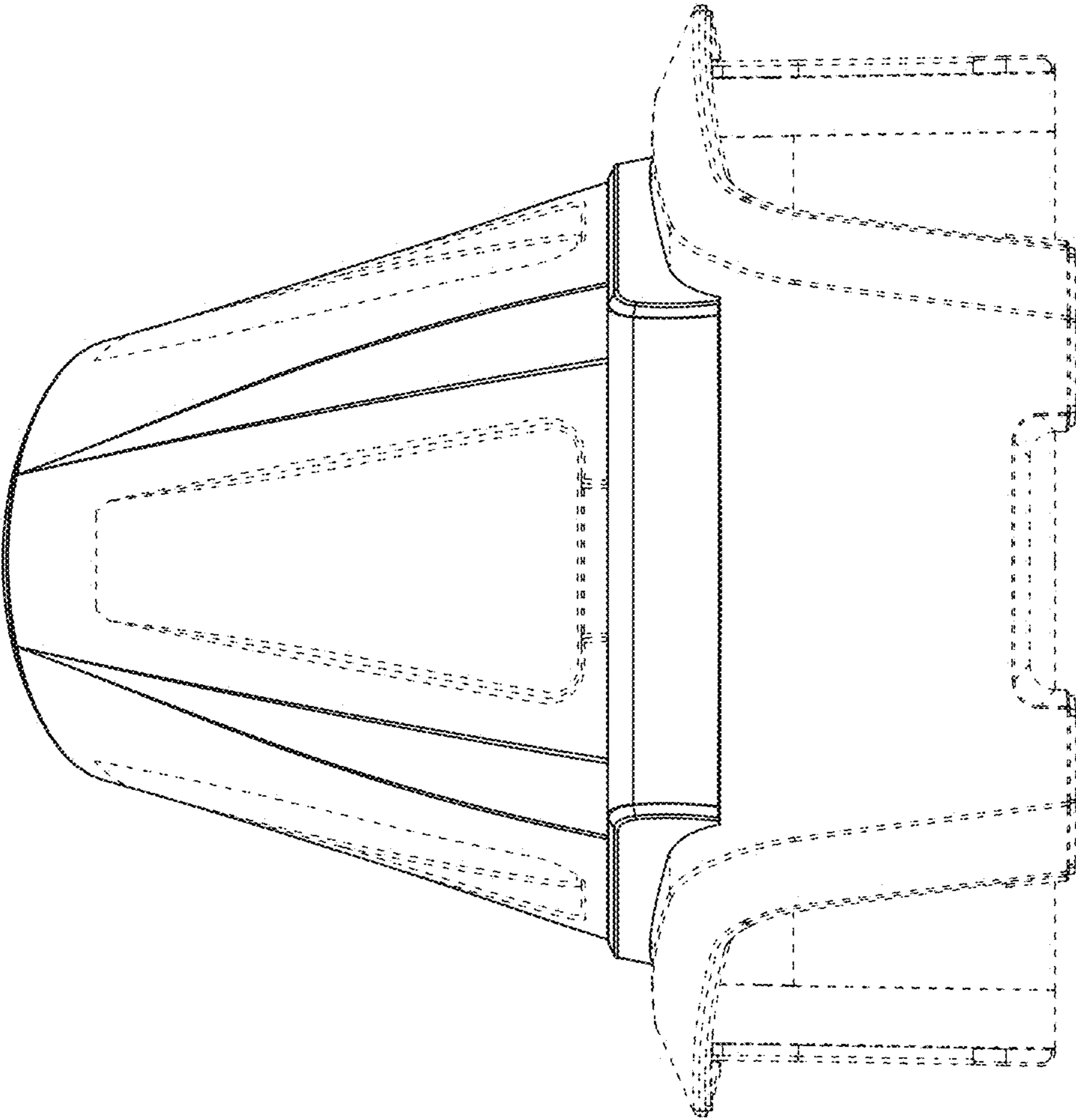


FIG. 3

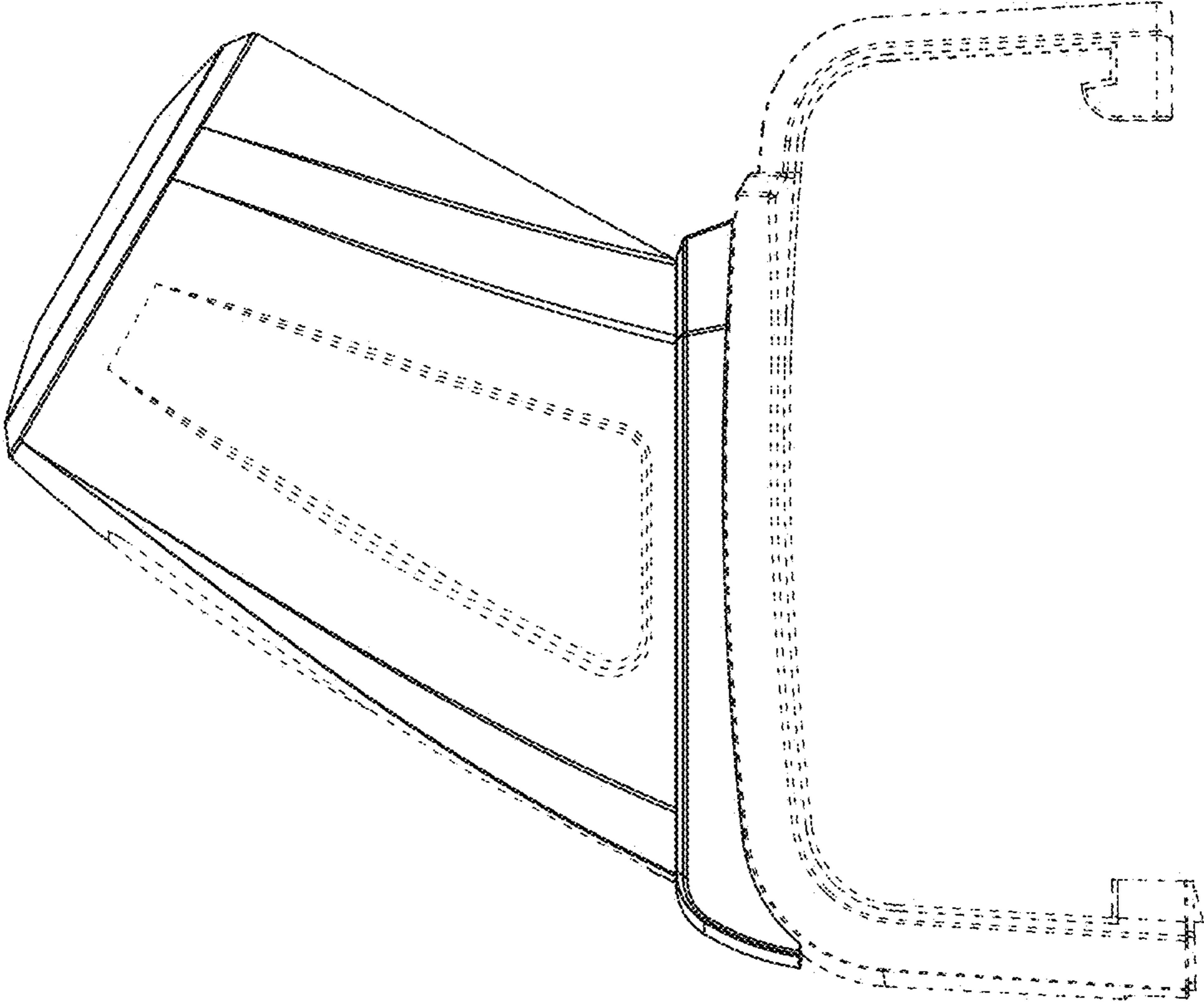


FIG. 4

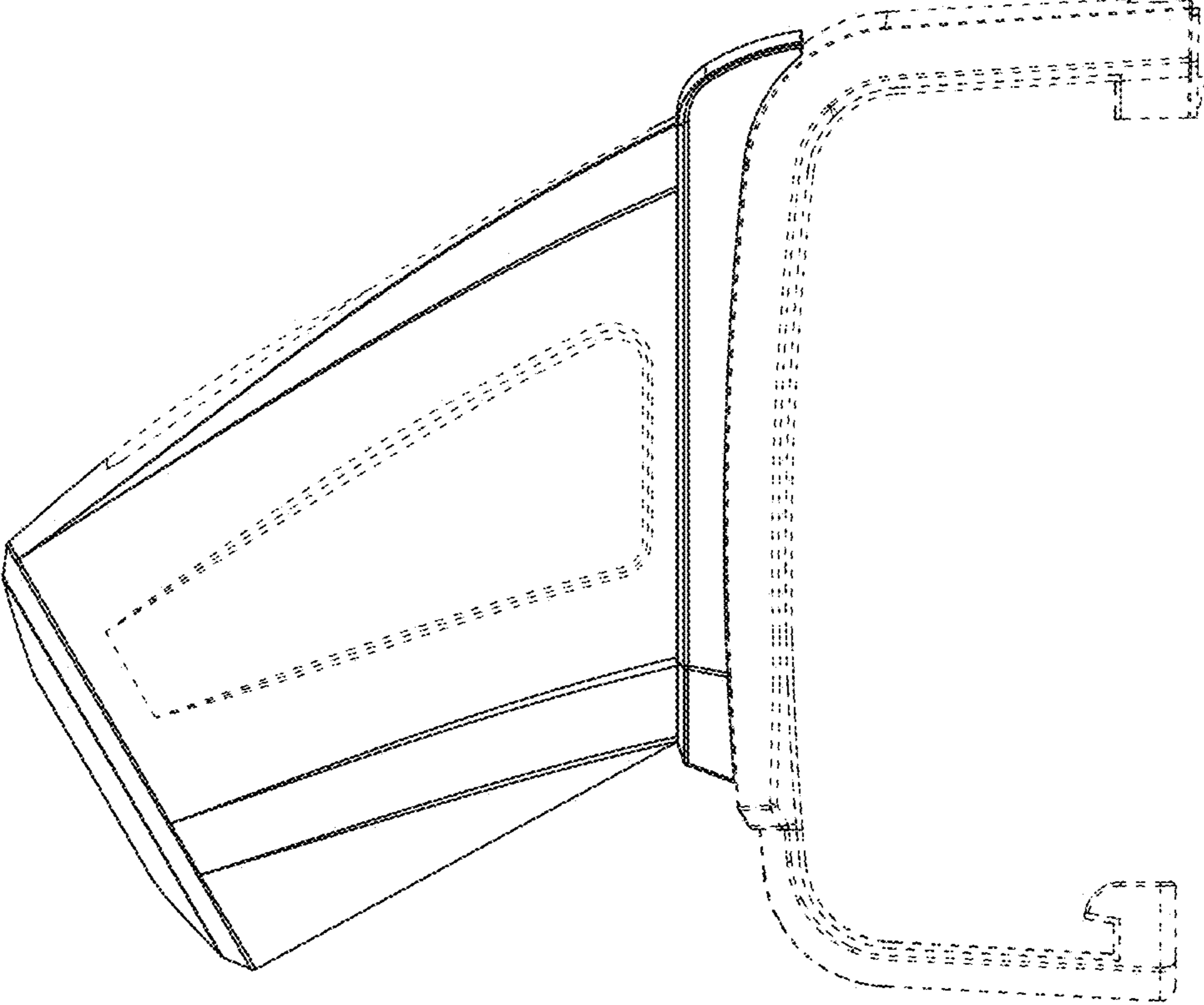


FIG. 5

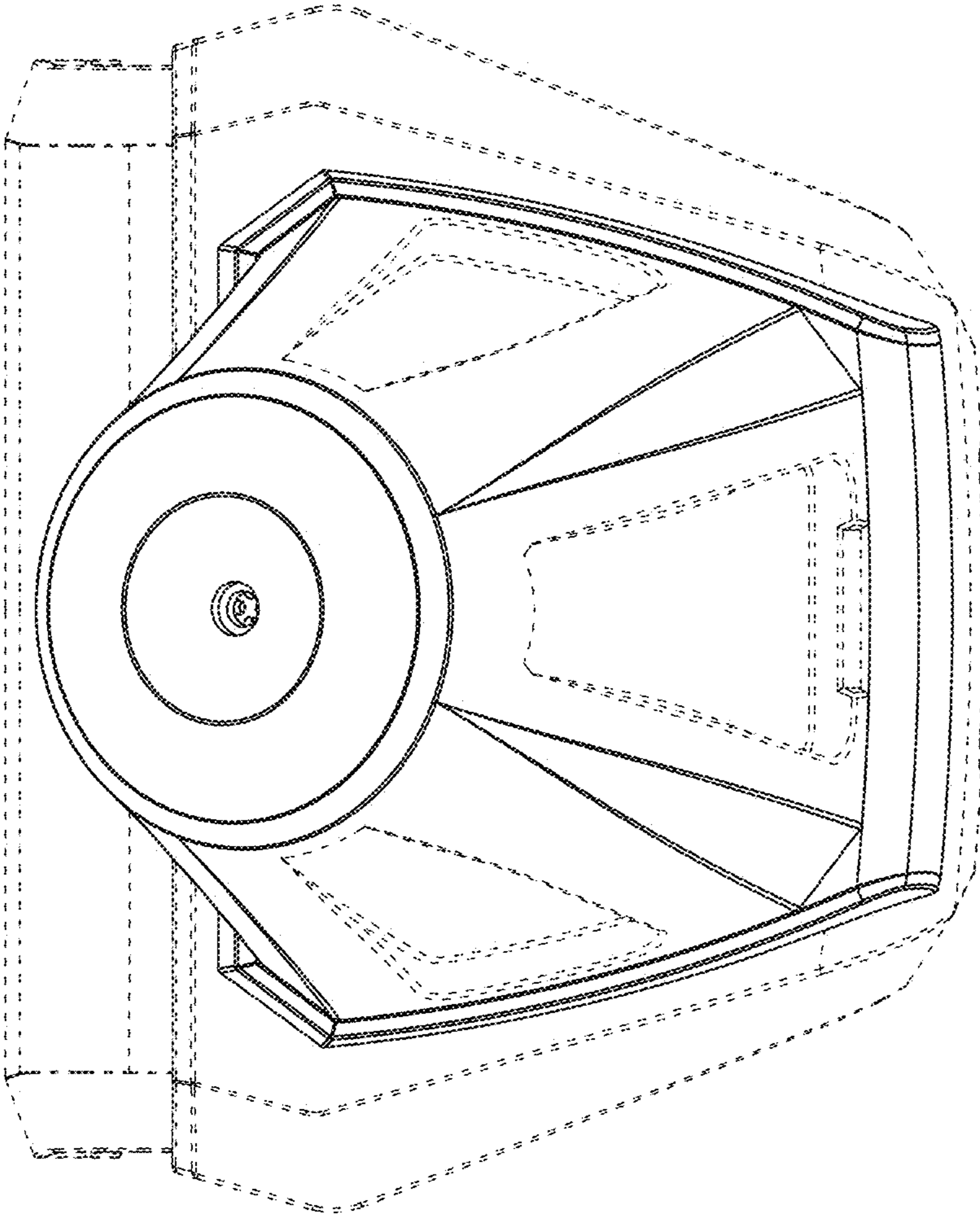


FIG. 6



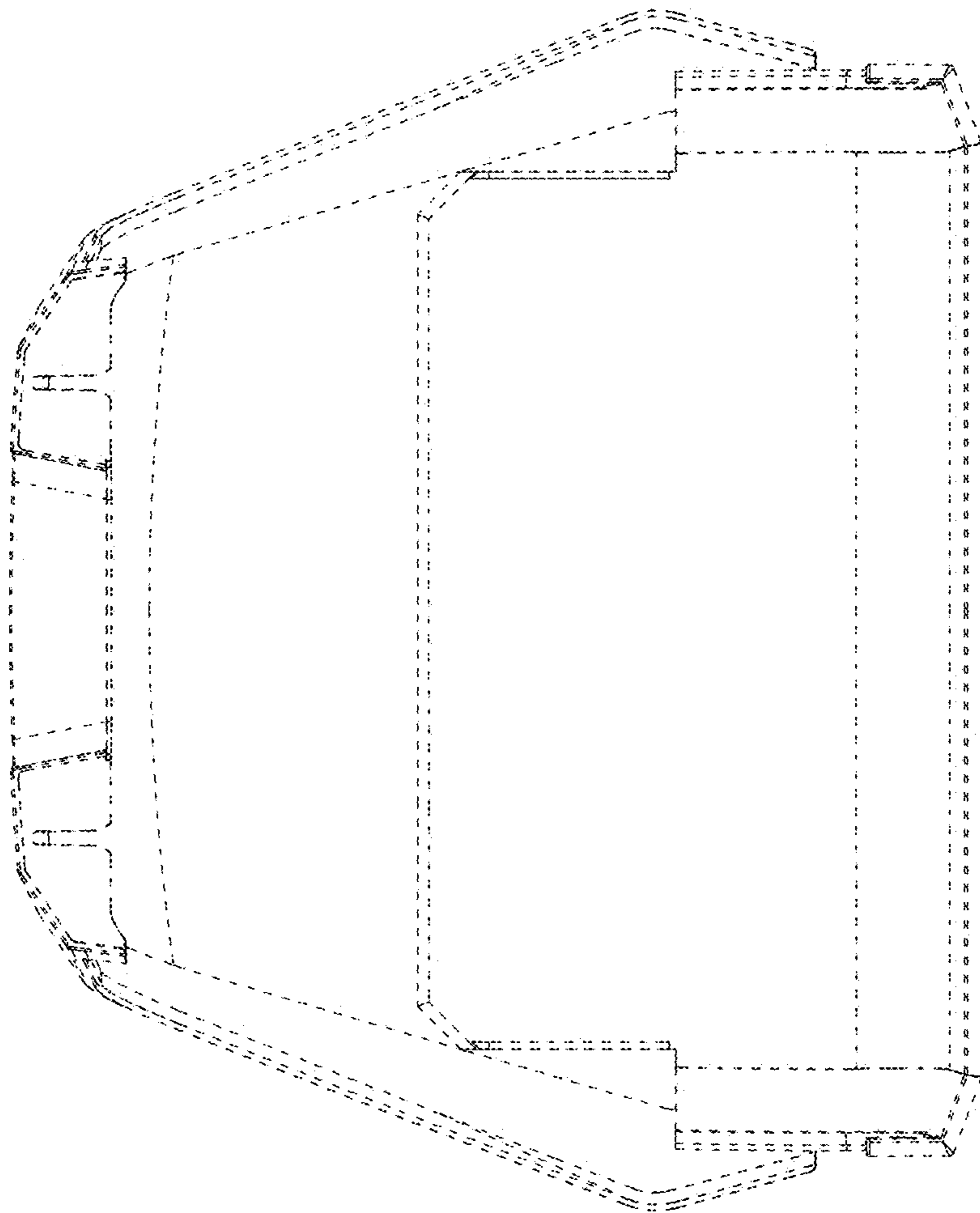


FIG. 7