



US00D968559S

(12) **United States Design Patent** (10) **Patent No.:** **US D968,559 S**
Jackson (45) **Date of Patent:** **** Nov. 1, 2022**

(54) **WATER FILTER**

FOREIGN PATENT DOCUMENTS

(71) Applicant: **Evolution Aqua Limited**, Wigan (GB)

CN 1765461 A 5/2006
CN 103272415 A 9/2013

(72) Inventor: **Nicholas John Jackson**, Ormskirk (GB)

(Continued)

(73) Assignee: **Evolution Aqua Limited**, Wigan (GB)

OTHER PUBLICATIONS

(**) Term: **15 Years**

“Examination report under sections 12 & 13 of the Patents Act, 1970 and the Patents Rules, 2003”, Indian Patent Application No. 201817045927, dated Jan. 18, 2021, 8 pp.

(21) Appl. No.: **29/713,263**

(Continued)

(22) Filed: **Nov. 14, 2019**

Primary Examiner — Karen S Acker

Assistant Examiner — Jonathan E Fiencke

(30) **Foreign Application Priority Data**

(74) *Attorney, Agent, or Firm* — Myers Bigel, P.A.

May 16, 2019 (EM) 006471132-0002

(51) **LOC (13) Cl.** **23-01**

(57) **CLAIM**

(52) **U.S. Cl.**

USPC **D23/209**

(58) **Field of Classification Search**

USPC D23/207, 209, 213, 365

CPC B01D 35/30; C02F 1/002; C02F 1/003

See application file for complete search history.

The ornamental design for a water filter, as shown and described.

DESCRIPTION

(56) **References Cited**

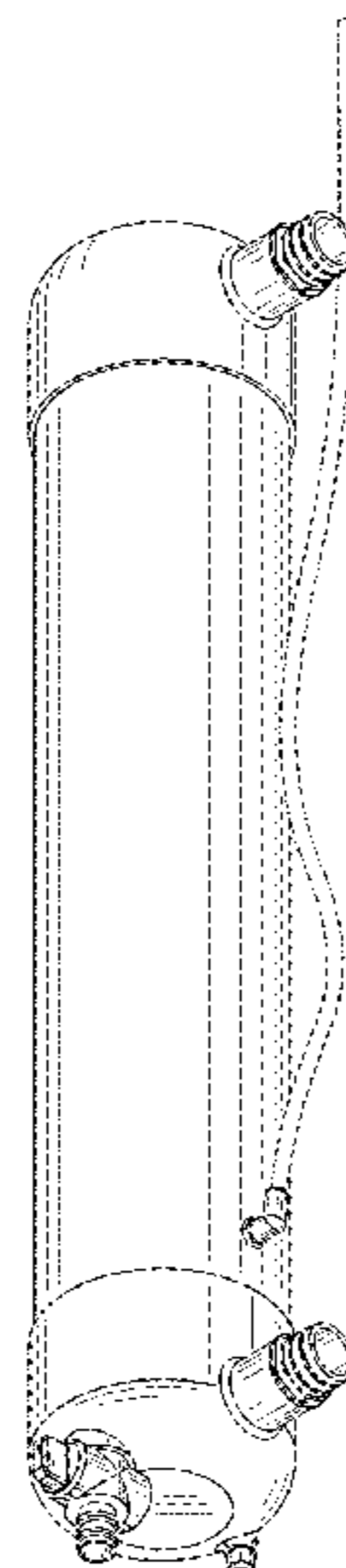
U.S. PATENT DOCUMENTS

656,043 A	8/1900	Paterson	
3,298,523 A	1/1967	Johnson	
3,720,317 A	3/1973	Willinger	
4,002,705 A	1/1977	McKeown	
4,122,011 A	10/1978	Strigle, Jr.	
4,218,317 A *	8/1980	Kirschmann B01D 61/08 210/133
4,290,894 A	9/1981	Torok et al.	
4,295,965 A	10/1981	Koester	
4,368,123 A *	1/1983	Stanley C02F 1/003 210/269
4,385,988 A	5/1983	Hyppoenen	
D275,310 S *	8/1984	Stanley D23/209
D296,463 S *	6/1988	Padilla D23/207
D307,933 S *	5/1990	Baer D23/209

(Continued)

FIG. 1 is a bottom perspective view of a water filter showing my new design;
FIG. 2 is a side view thereof;
FIG. 3 is a second side view thereof, opposite the view shown in FIG. 2;
FIG. 4 is a third side view thereof;
FIG. 5 is a fourth side view thereof, opposite the view shown in FIG. 4;
FIG. 6 is a top view thereof; and,
FIG. 7 is a bottom view thereof, opposite the view shown in FIG. 6.
The broken lines depict portions of the water filter that form no part of the claimed design. The dot dash dot broken lines in FIG. 6 depict the boundaries of the claim and form no part thereof.

1 Claim, 7 Drawing Sheets



(56)

References Cited

U.S. PATENT DOCUMENTS

D318,093	S	*	7/1991	Ferguson	D23/209
D323,017	S	*	1/1992	Bernstein	D23/209
5,108,594	A		4/1992	Giovanetti et al.		
5,232,586	A		8/1993	Malone		
5,458,779	A		10/1995	Odegaard		
5,582,722	A		12/1996	Wachinski et al.		
5,779,886	A		7/1998	Couture		
5,951,876	A		9/1999	Snowball		
6,048,456	A	*	4/2000	Palmer	B01D 24/001 210/282
6,080,304	A		6/2000	Gomi		
6,276,302	B1		8/2001	Lee		
6,423,537	B1		7/2002	Soria et al.		
6,447,675	B1		9/2002	James		
D465,257	S		11/2002	Van Olst et al.		
6,517,724	B1		2/2003	Malone		
6,616,845	B2		9/2003	Shechter et al.		
6,685,826	B1		2/2004	James		
6,709,574	B2		3/2004	James		
6,726,838	B2		4/2004	Shechter et al.		
7,431,848	B2		10/2008	James		
D611,120	S		3/2010	Brockdorff		
D611,568	S		3/2010	Westrum		
D612,007	S		3/2010	Brockdorff		
D618,760	S		6/2010	Flournoy et al.		
D619,201	S		7/2010	Westrum		
D645,116	S		9/2011	McKean et al.		
D645,159	S		9/2011	Loken		
D645,161	S		9/2011	Loken		
D648,821	S		11/2011	McKean et al.		
D661,778	S		6/2012	Dempster et al.		
8,241,717	B1		8/2012	Anderson		
D696,744	S		12/2013	Barrett		
D697,168	S		1/2014	Rusten et al.		
D700,014	S	*	2/2014	Zeanah	D7/510
D716,414	S		10/2014	Glen		
D718,412	S		11/2014	Flournoy et al.		
D747,785	S		1/2016	Ruprecht		
9,249,036	B2	*	2/2016	Williams	C02F 3/348
D750,737	S		3/2016	Ashley		
D758,529	S	*	6/2016	Boudreau	D23/209
D762,279	S		7/2016	Flournoy et al.		
D785,132	S		4/2017	Jackson et al.		
D939,044	S	*	12/2021	Liqin	D23/209
D946,697	S	*	3/2022	Deng	D23/207
D946,702	S	*	3/2022	McCullough	D23/209
D946,703	S	*	3/2022	McCullough	D23/209
D947,317	S	*	3/2022	Shao	D23/209
D947,318	S	*	3/2022	Du	D23/209
D948,659	S	*	4/2022	McCullough	D23/209
D948,661	S	*	4/2022	Zou	D23/209
D952,793	S	*	5/2022	Du	D23/209
2002/0158001	A1		10/2002	Northcut et al.		
2004/0144728	A1		7/2004	Moller et al.		
2004/0149233	A1		8/2004	Cummins		
2005/0029204	A1		2/2005	Schwartzkopf		
2005/0035042	A1		2/2005	Rowe et al.		
2006/0151366	A1		7/2006	Hoang		
2007/0048174	A1		3/2007	James		
2008/0017561	A1		1/2008	Shaw et al.		
2009/0071909	A1		3/2009	Newcombe et al.		
2009/0178980	A1		7/2009	Newcombe		
2013/0118992	A1		5/2013	Henig		
2018/0362361	A1	*	12/2018	Archer	C02F 1/003
2021/0039962	A1	*	2/2021	Heitele	C02F 5/14

FOREIGN PATENT DOCUMENTS

DE	2310652	A1	10/1973
DE	19819676	A1	11/1999
EM	006471132-0001		5/2019
EP	0484896	A1	5/1992
FR	2026341		9/1970
FR	2500320	A1	8/1982

FR	2612419	A1	9/1988
GB	1275116		5/1972
GB	1429183	A	3/1976
GB	1498360		1/1978
GB	2093728	A	9/1982
GB	2101901	A	1/1983
GB	2318526	A	4/1998
GB	2422793	A	8/2006
GB	2550495	A	11/2017
GB	2540847	B	12/2017
GB	2552439	A	1/2018
GB	2552762	A	2/2018
JP	2002143840	A	5/2002
JP	2002316148	A	10/2002
WO	02/096806	A2	12/2002
WO	2006/082447	A2	8/2006
WO	2006082447	A3	8/2006
WO	2015115740	A1	8/2015
WO	2016185159	A1	11/2016
WO	2017198679	A2	11/2017
WO	2019/096826	A1	5/2019

OTHER PUBLICATIONS

“Translation of First Office Action”, CN Application No. 201780043182.2, dated Nov. 11, 2020, 4 pp.

Examination report under sections 12 & 13 of the Patents Act, 1970 and the Patents Rules, 2003, Indian Patent Application No. 201717044841, dated May 19, 2020, 6 pp.

Decision of Rejection and English language translation, Chinese Application No. 201680037110.2, dated Jun. 28, 2019, 9 pp.

First Office Action and English language translation, Chinese Application No. 201680037110.2, dated Sep. 30, 2018, 18 pp.

International Search Report and Written Opinion of the International Searching Authority, International Application No. PCT/EP2017/061766, dated Nov. 21, 2017, 22 pp.

International Search Report and Written Opinion of the International Searching Authority, International Application No. PCT/EP2018/081193, dated Jan. 4, 2019, 11 pp.

International Search Report and Written Opinion of the International Searching Authority, International Application No. PCT/GB2016/000101, dated Sep. 19, 2016, 17 pp.

Invitation to Pay Additional Fees and, Where Applicable, Protest Fee, International Application No. PCT/GB2018/050578, dated Jun. 8, 2018, 10 pp.

McQuarrie et al., “Moving Bed Biofilm Reactor Technology: Process Applications, Design, and Performance”, Water Environment Research, vol. 83, No. 6, Jun. 2011, pp. 560-575.

Patents Act 1977: Combined Search and Examination Report under Sections 17 and 18(3), UKIPO Application No. GB1608550.8, dated Nov. 16, 2016, 8 pp.

Patents Act 1977: Combined Search and Examination Report under Sections 17 and 18(3), UKIPO Application No. GB1718281.7, dated Dec. 1, 2017, 5 pp.

Patents Act 1977: Combined Search and Examination Report under Sections 17 and 18(3), UKIPO Application No. GB1718291.6, dated Nov. 16, 2017, 5 pp.

Patents Act 1977: Combined Search and Examination Report under Sections 17 and 18(3), UKIPO Application No. GB1718912.7, dated Apr. 30, 2019, 8 pp.

Patents Act 1977: Combined Search and Examination Report under Sections 17 and 18(3), UKIPO Application No. GB1803646.7, dated Jul. 30, 2018, 6 pp.

Patents Act 1977: Combined Search and Examination Report under Sections 17 and 18(3), UKIPO Application No. GB1817447.4, dated Nov. 23, 2018, 8 pp.

Patents Act 1977: Examination Report under Section 18(3), UKIPO Application No. GB1718291.6, dated Jul. 20, 2018, 3 pp.

Patents Act 1977: Search Report under Section 17(5), UKIPO Application No. GB1707874.2, dated Sep. 15, 2017, 4 pp.

Rasmussen, “The Kaldnes Moving Bed™ biofilm process—an innovative solution to biological waste water treatment”, yakutec.com; http://www.yakutec.com/documentos/LM-02_the_kaldnes_moving_bed.pdf; accessed Nov. 15, 2016, 9 pp.

(56)

References Cited

OTHER PUBLICATIONS

Second Office Action and English language translation, CN Application No. 201680037110.2, dated Mar. 20, 2019, 15 pp.
Examination report No. 1 for standard patent application, IP Australia Application No. 2016263651, dated Nov. 6, 2019, 2 pp.
Patents Act 1977: Examination Report under Section 18(3), UKIPO Application No. GB1817447.4, dated Sep. 11, 2019, 3 pp.
Patents Act 1977: Intention to Grant under Section 18(4), UKIPO Application No. GB1817447.4, dated Nov. 14, 2019, 2 pp.
Patents Act 1977: Examination Report under Section 18(3), UKIPO Application No. GB1817447.4, dated Nov. 4, 2019, 3 pp.
Communication pursuant to Article 94(3) EPC, EP Application No. 17723128.9, dated Apr. 23, 2020, 5 pp.
“Communication Pursuant to Article 94(3) EPC”, EP Application No. 16725881.3, dated Jul. 24, 2020, 4 pp.
“Notice of Review and English language translation”, CN Application No. 201680037110.2, dated May 6, 2021, 36 pp.
“Notice prior to receipt of patent application number with English language translation”, IL Application No. 255620, Feb. 24, 2021, 8 pp.
“Notification of Second Opinion and English language translation”, CN Application No. 201780043182 2, dated Jul. 1, 2021, 44 pp.
“Search and Examination Reports”, UAE Application No. P6001461/2017, dated Feb. 16, 2021, 14 pp.
“Search Report and Opinion”, BR Application No. BR112018073656-2, dated May 31, 2021, 4 pp.

* cited by examiner

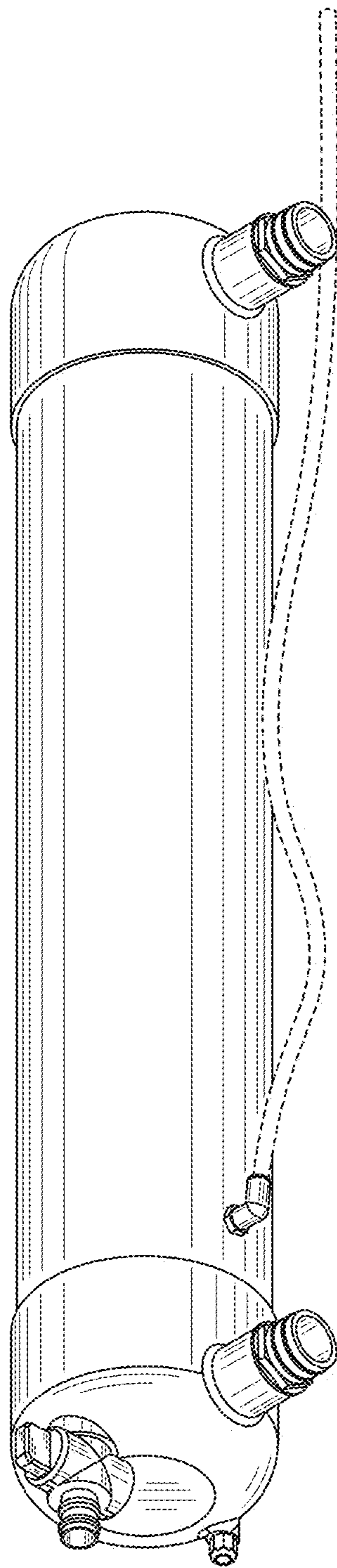


FIG. 1

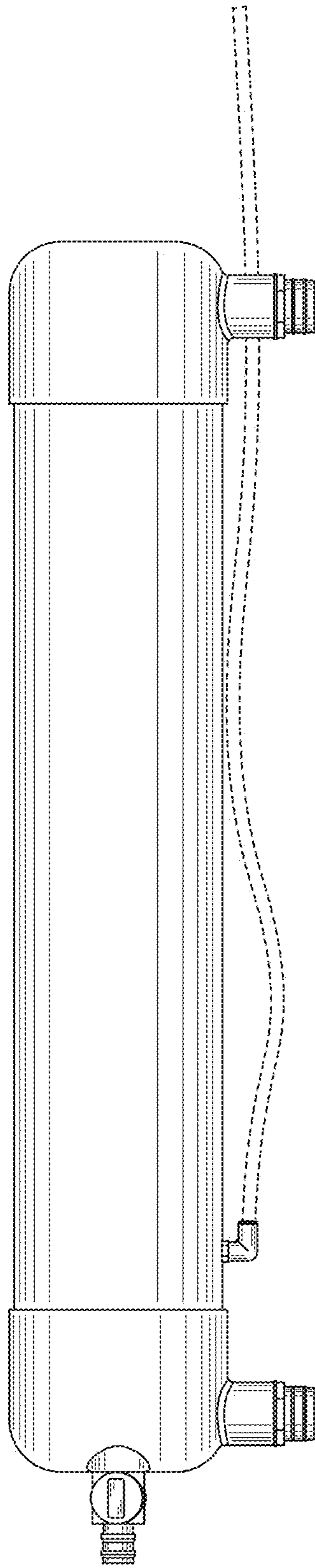


FIG. 2

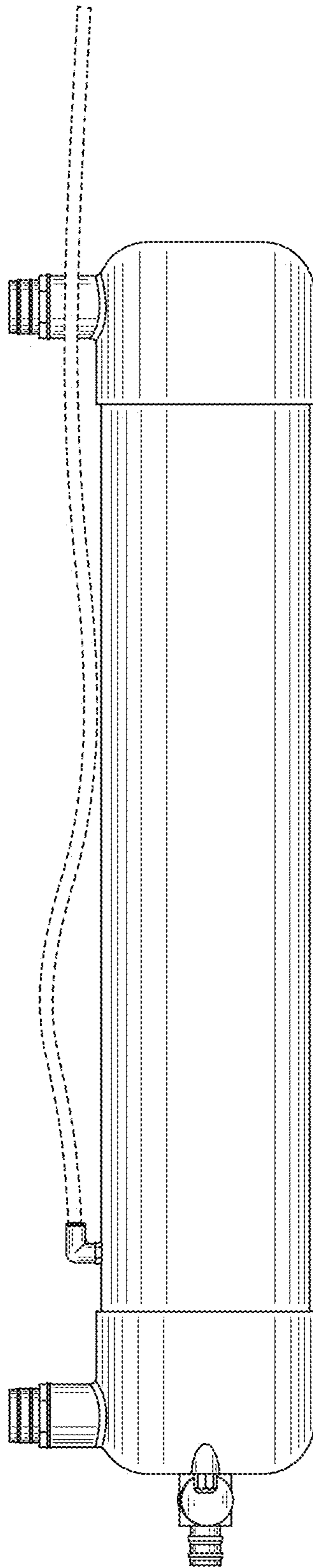


FIG. 3

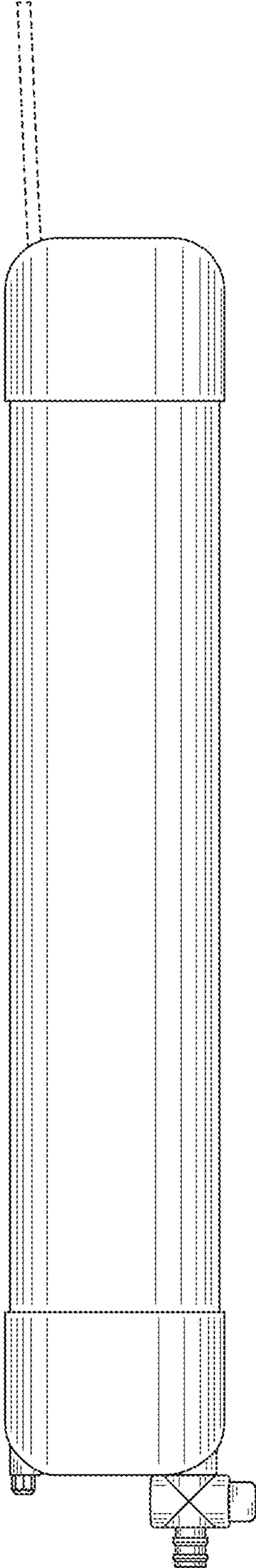


FIG. 4

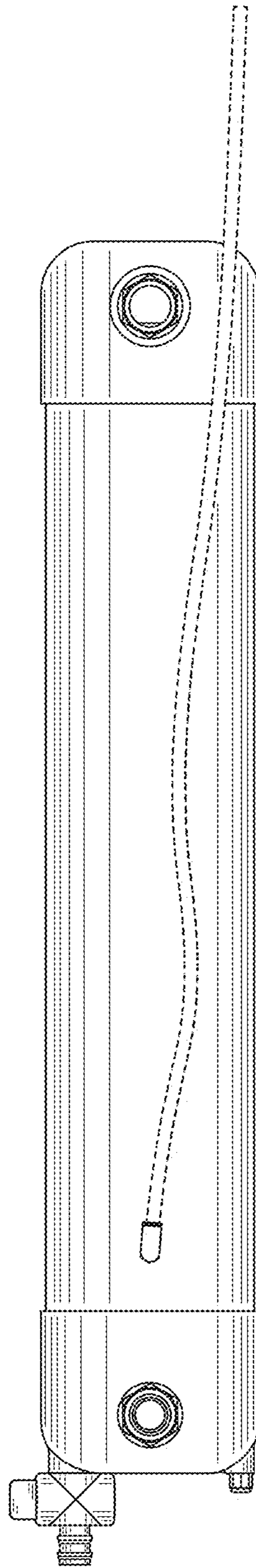


FIG. 5

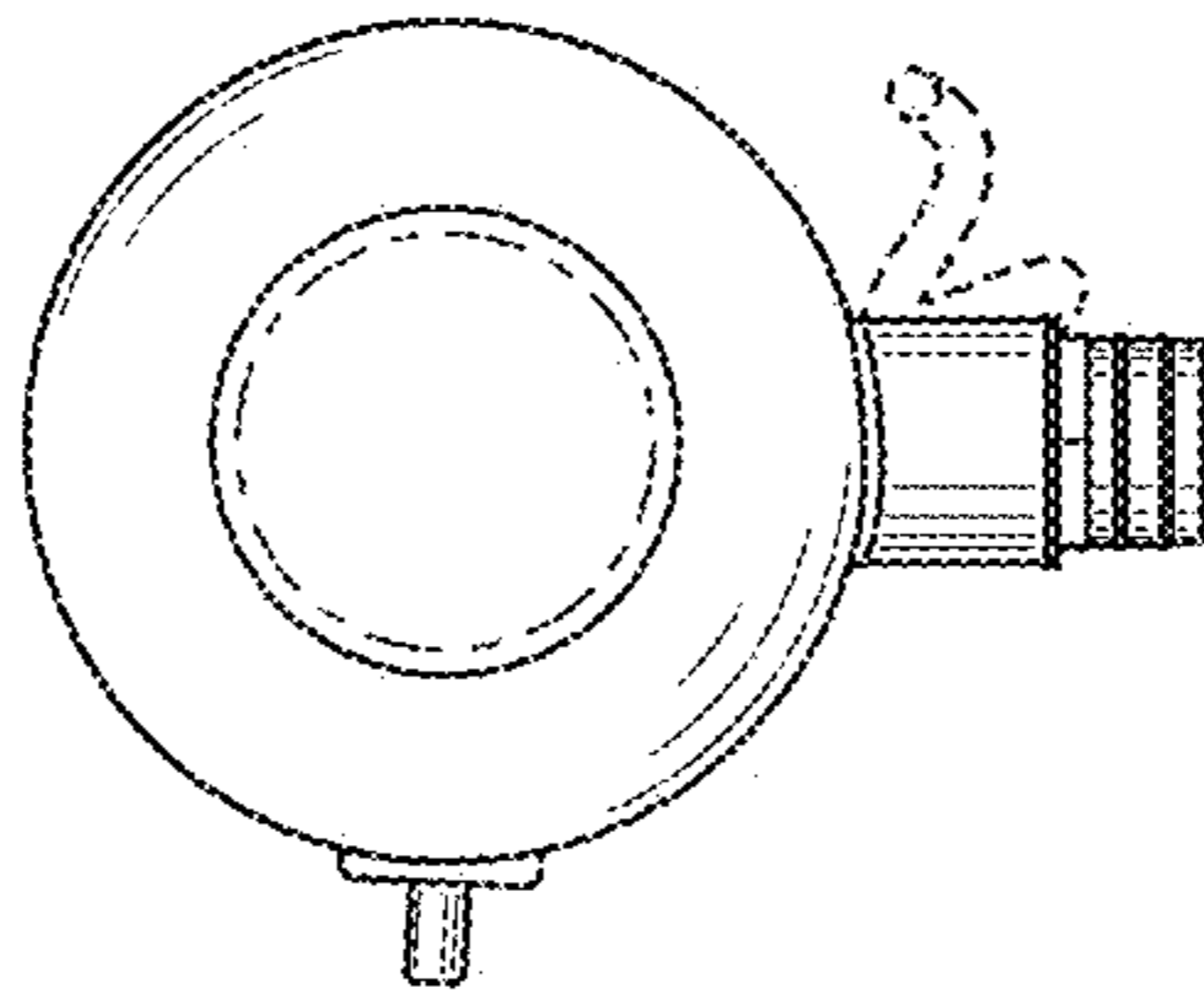


FIG. 6

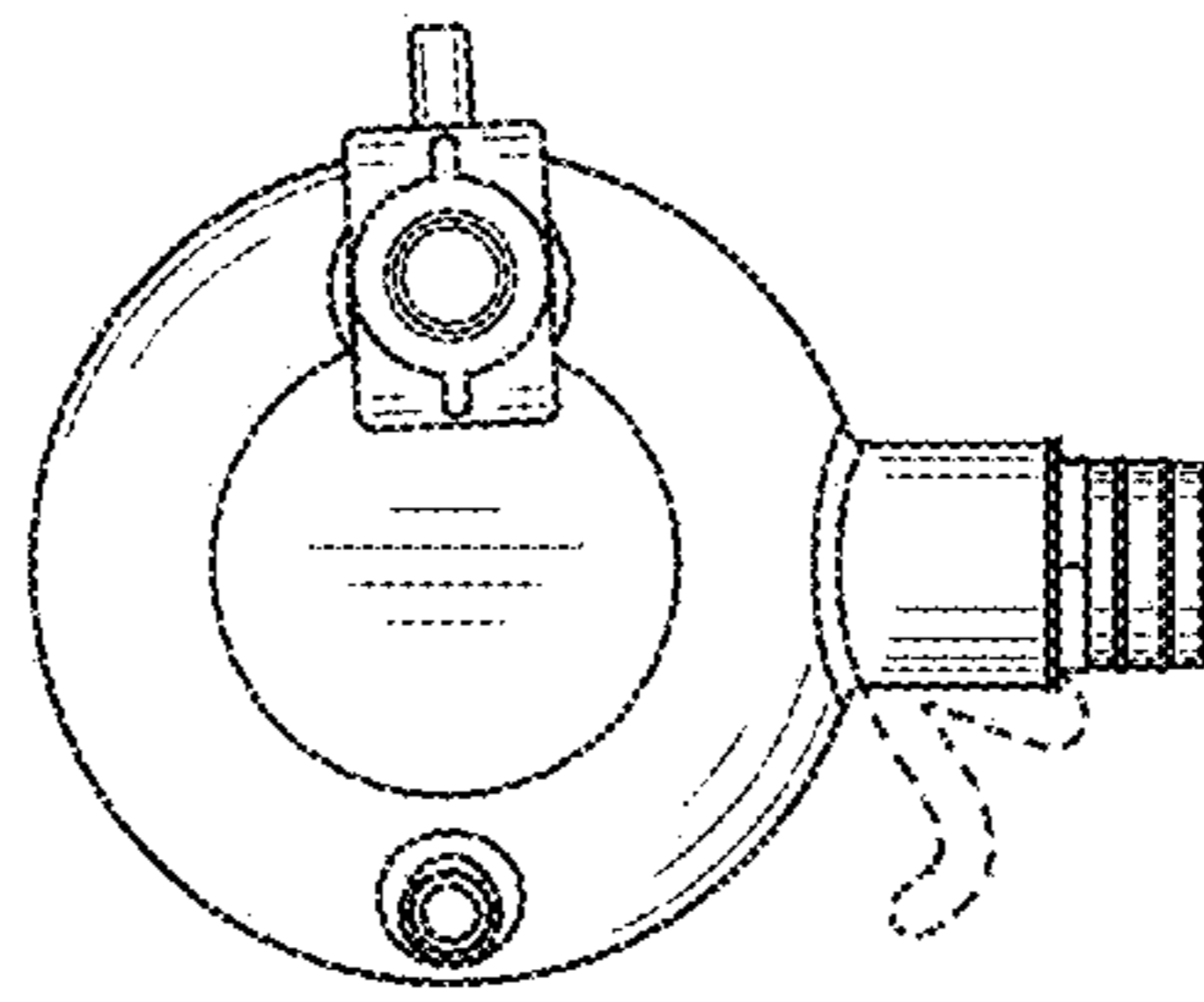


FIG. 7