



US00D968556S

(12) **United States Design Patent** (10) **Patent No.:** **US D968,556 S**  
**Kaye et al.** (45) **Date of Patent:** **\*\* Nov. 1, 2022**

(54) **TOILET RIM BLOCKS**  
(71) Applicant: **Henkel AG & Co. KGaA**, Duesseldorf (DE)  
(72) Inventors: **Glenn William Kaye**, Norwalk, CT (US); **John Kevin Clay**, Milford, CT (US)  
(73) Assignee: **Henkel AG & Co. KGaA**, Duesseldorf (DE)

(\*\*) Term: **15 Years**

(21) Appl. No.: **29/652,766**

(22) Filed: **Nov. 18, 2020**

(51) **LOC (13) Cl.** ..... **23-01**

(52) **U.S. Cl.**  
USPC ..... **D23/208**

(58) **Field of Classification Search**  
USPC ..... D23/200, 202, 207, 208, 209, 210  
CPC ..... E03D 9/02; E03D 9/03; E03D 9/032  
See application file for complete search history.

(56) **References Cited**

**U.S. PATENT DOCUMENTS**

4,777,670	A *	10/1988	Klinkhammer	.....	B01F 21/22	4/231
D307,624	S *	5/1990	Wefler	.....	D23/208	
D308,409	S *	6/1990	Hoyt	.....	D23/208	
D355,474	S *	2/1995	Kearnes	.....	D23/208	
D387,848	S *	12/1997	Thompson	.....	D23/208	
6,311,340	B1 *	11/2001	Thompson	.....	E03D 9/032	4/231
D481,440	S *	10/2003	Bernarducci	.....	D23/208	
D500,548	S *	1/2005	Conway	.....	D23/208	
D536,059	S *	1/2007	King	.....	D23/208	
D590,912	S *	4/2009	Woolman	.....	D23/208	
D750,199	S *	2/2016	Gerhards	.....	D23/208	
D752,198	S *	3/2016	Zach	.....	D23/208	
D765,817	S *	9/2016	Gerhards	.....	D23/208	

D788,259	S *	5/2017	Gerhards	.....	D23/208	
D795,386	S *	8/2017	Warden	.....	D23/208	
D818,082	S *	5/2018	Bruining	.....	D23/208	
D899,562	S	10/2020	Timmann et al.			
2002/0083514	A1 *	7/2002	Lhoste	.....	E03D 9/032	4/231
2004/0221378	A1 *	11/2004	Conway	.....	E03D 9/032	4/231
2005/0273918	A1 *	12/2005	Bernarducci	.....	E03D 9/032	4/231

(Continued)

**OTHER PUBLICATIONS**

Big D 675 Toilet Bowl Rim Hanger, Nov. 21, 2012, Amazon, site visited Jun. 13, 2022: <https://www.amazon.com/dp/B00AANJQUC/> (Year: 2012).\*

(Continued)

*Primary Examiner* — Jack Reickel  
*Assistant Examiner* — Bobby W Jones, II  
(74) *Attorney, Agent, or Firm* — Bojuan Deng

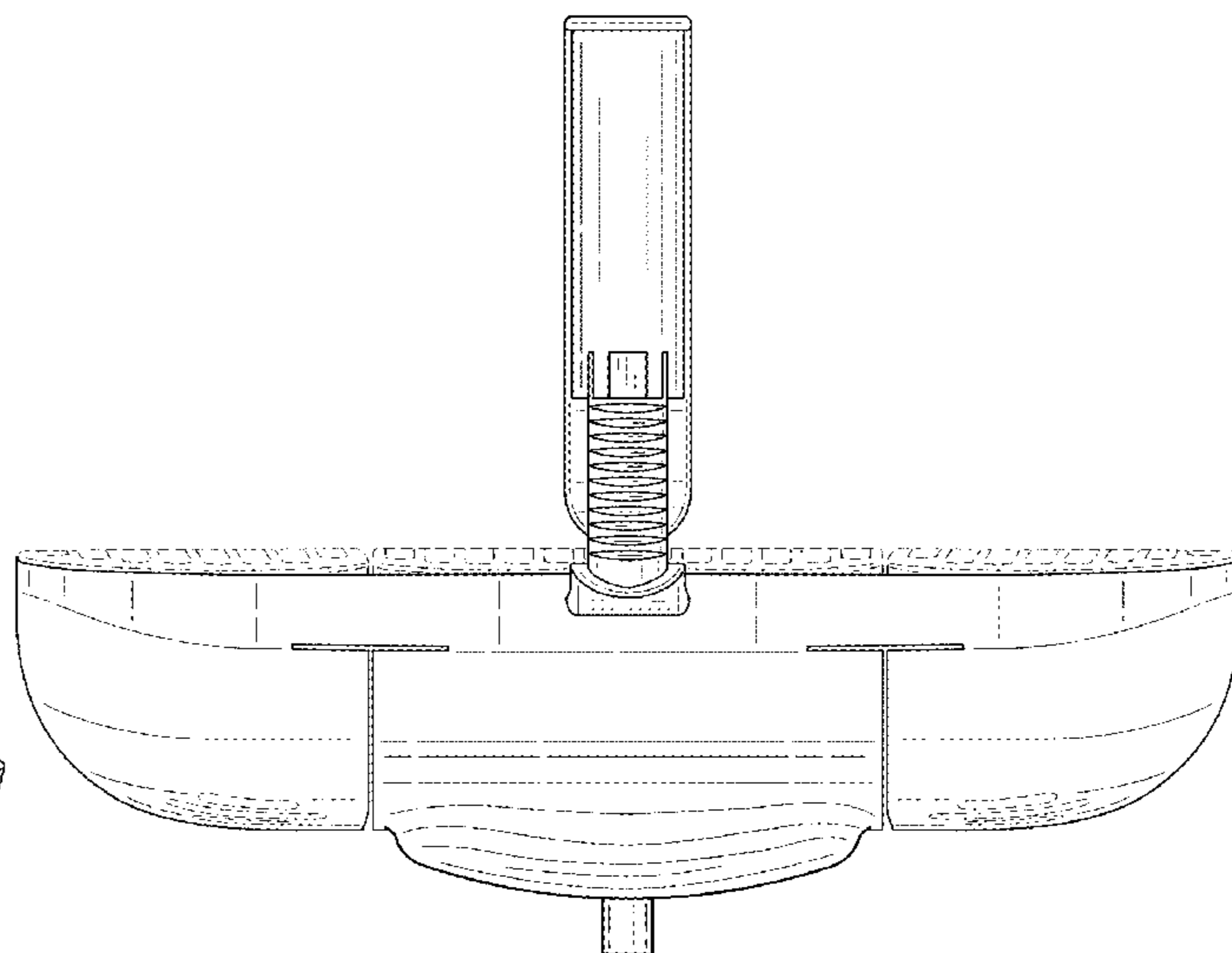
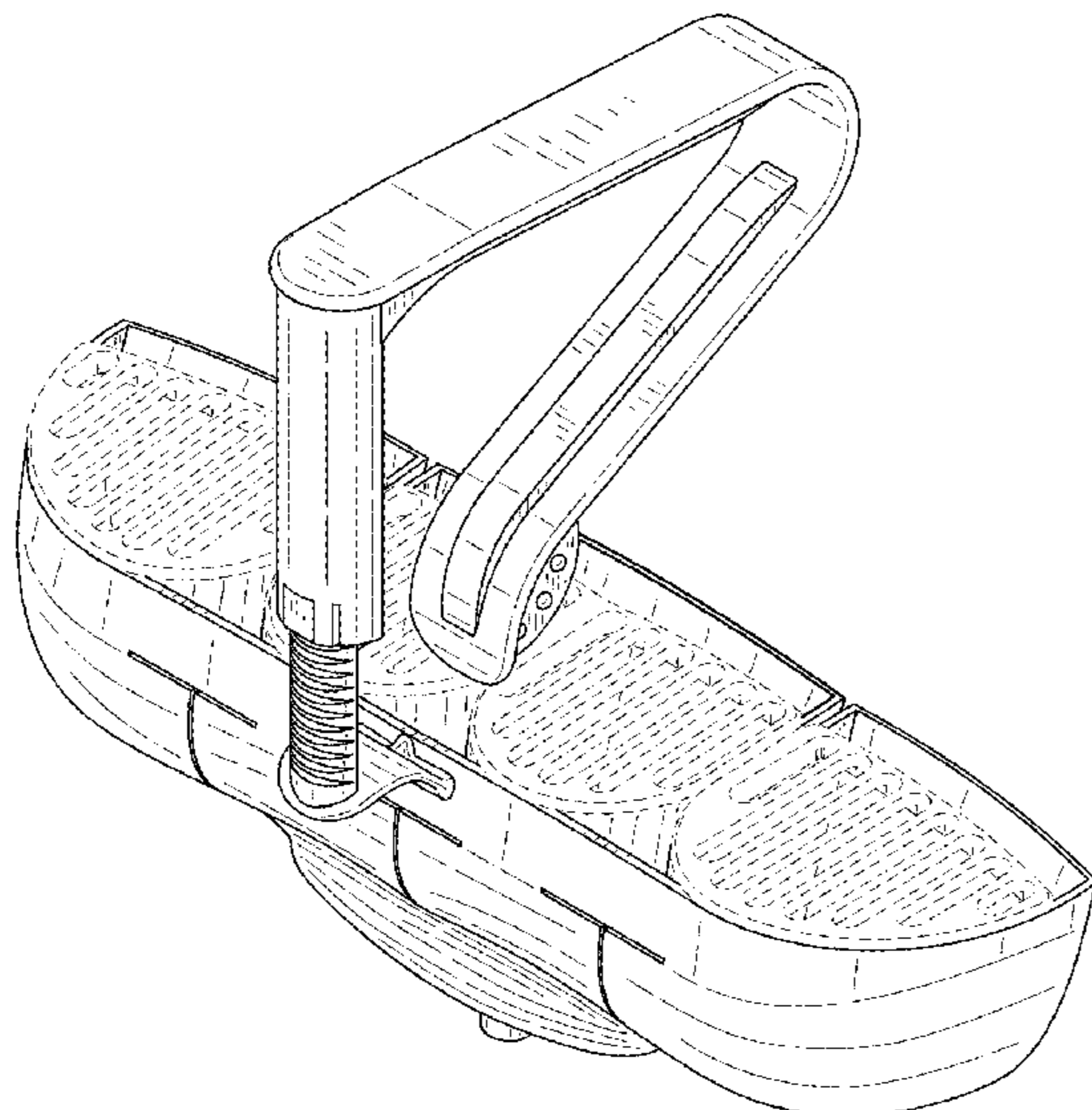
(57) **CLAIM**

The ornamental design for toilet rim blocks, as shown and described.

**DESCRIPTION**

FIG. 1 is a top perspective view of toilet rim blocks embodying the new design;  
FIG. 2 is a bottom perspective view thereof;  
FIG. 3 is a front view thereof;  
FIG. 4 is a back view thereof;  
FIG. 5 is a right-side view thereof;  
FIG. 6 is a left-side view thereof;  
FIG. 7 is a top view thereof; and,  
FIG. 8 is a bottom view thereof.  
The broken lines shown in the drawings depict portions of the toilet rim blocks that form no part of the claimed design.

**1 Claim, 8 Drawing Sheets**



(56)

**References Cited**

U.S. PATENT DOCUMENTS

2011/0138526 A1\* 6/2011 Hsu ..... E03D 9/03  
4/223  
2013/0112830 A1\* 5/2013 Knorr ..... E03D 9/032  
248/304  
2016/0032576 A1\* 2/2016 Leffler ..... E03D 9/032  
4/231  
2019/0032318 A1\* 1/2019 Carver ..... E03D 9/032  
2020/0173157 A1\* 6/2020 Carver ..... C11D 17/041

OTHER PUBLICATIONS

Soft Scrub 4-in-1 Rim Hanger, Jan. 26, 2018, Amazon, site visited  
Jun. 13, 2022: <https://www.amazon.com/dp/B079J94S36/> (Year:  
2018).\*

\* cited by examiner

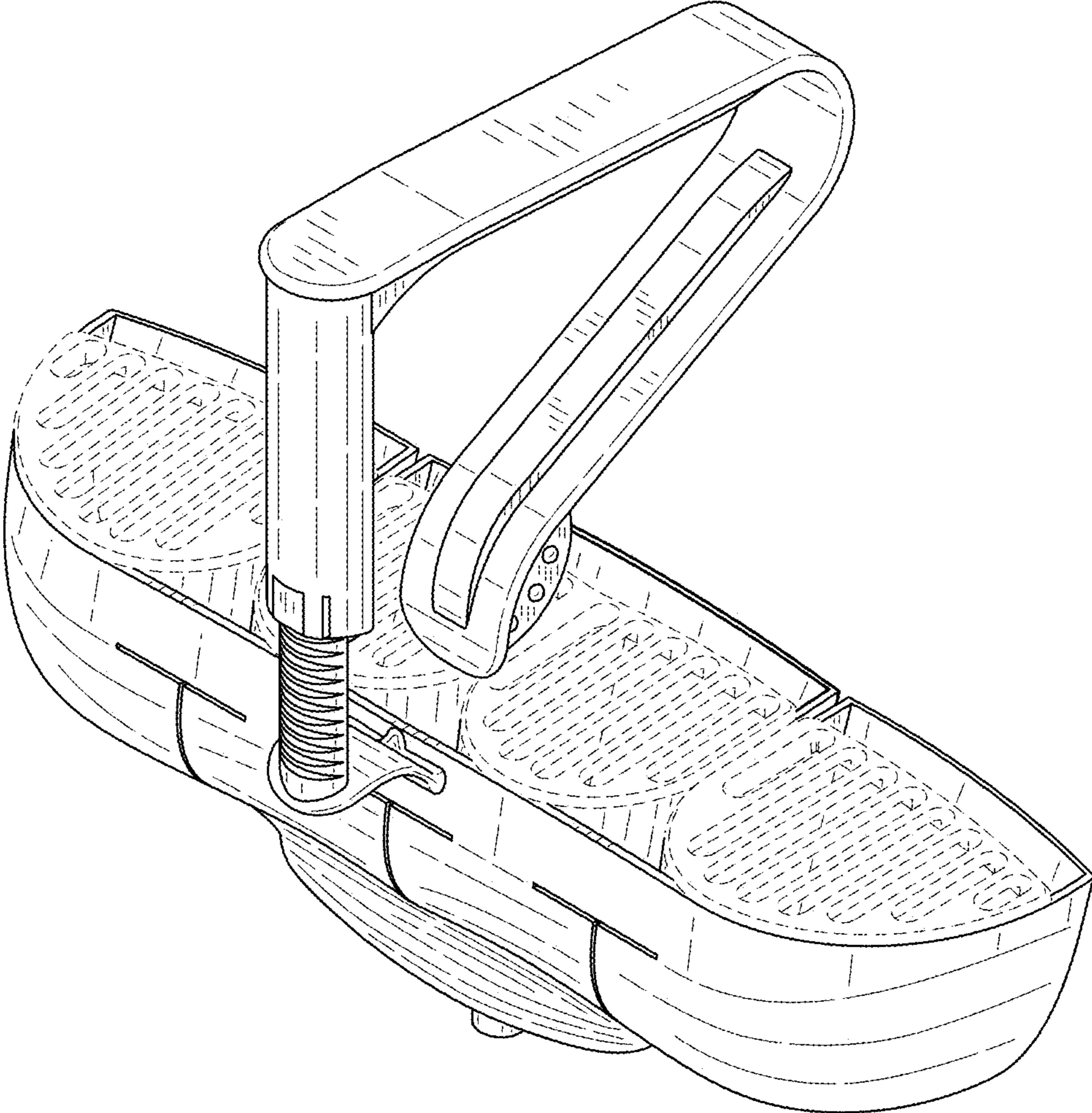


FIG.1

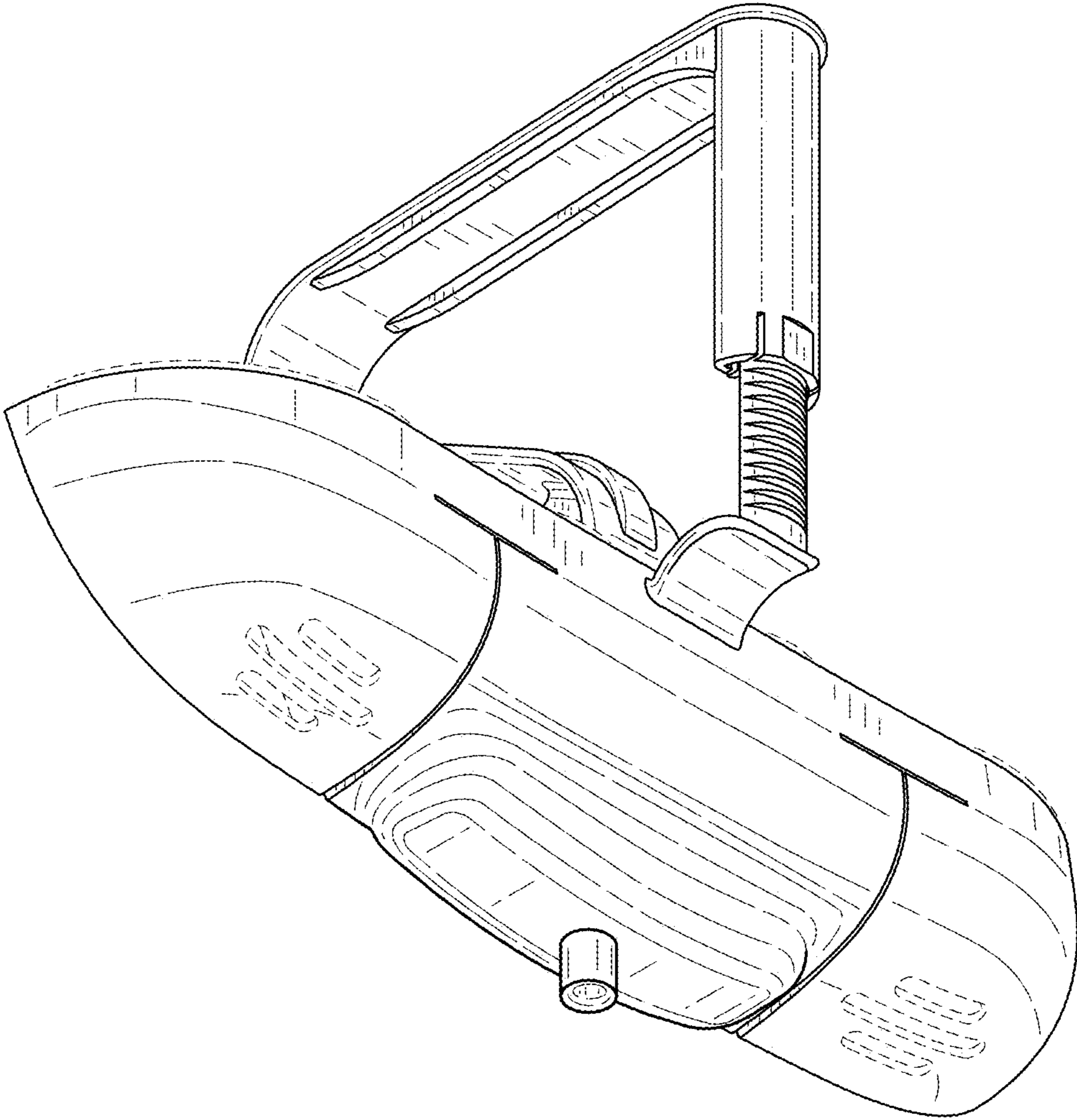


FIG.2

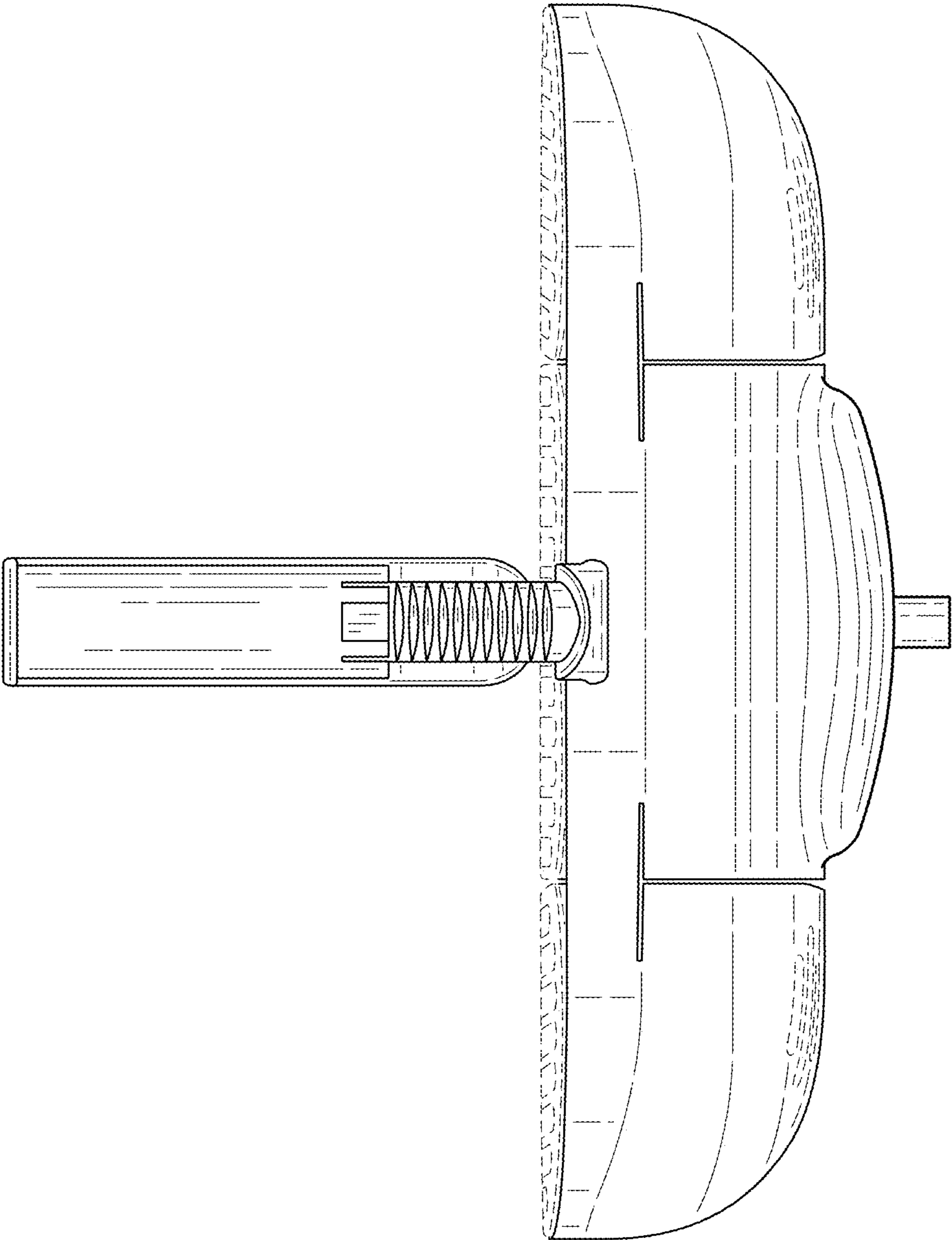


FIG. 3

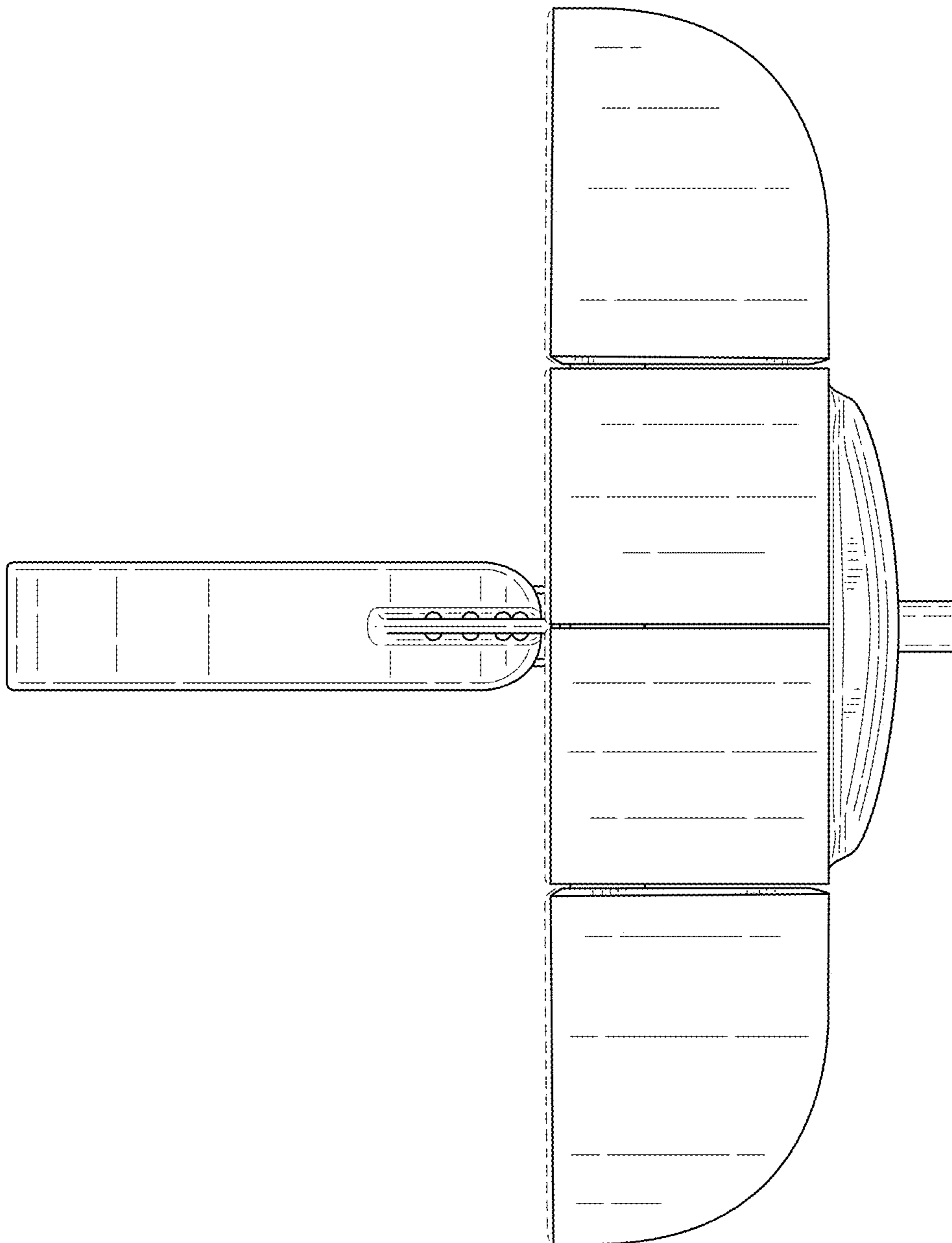


FIG. 4

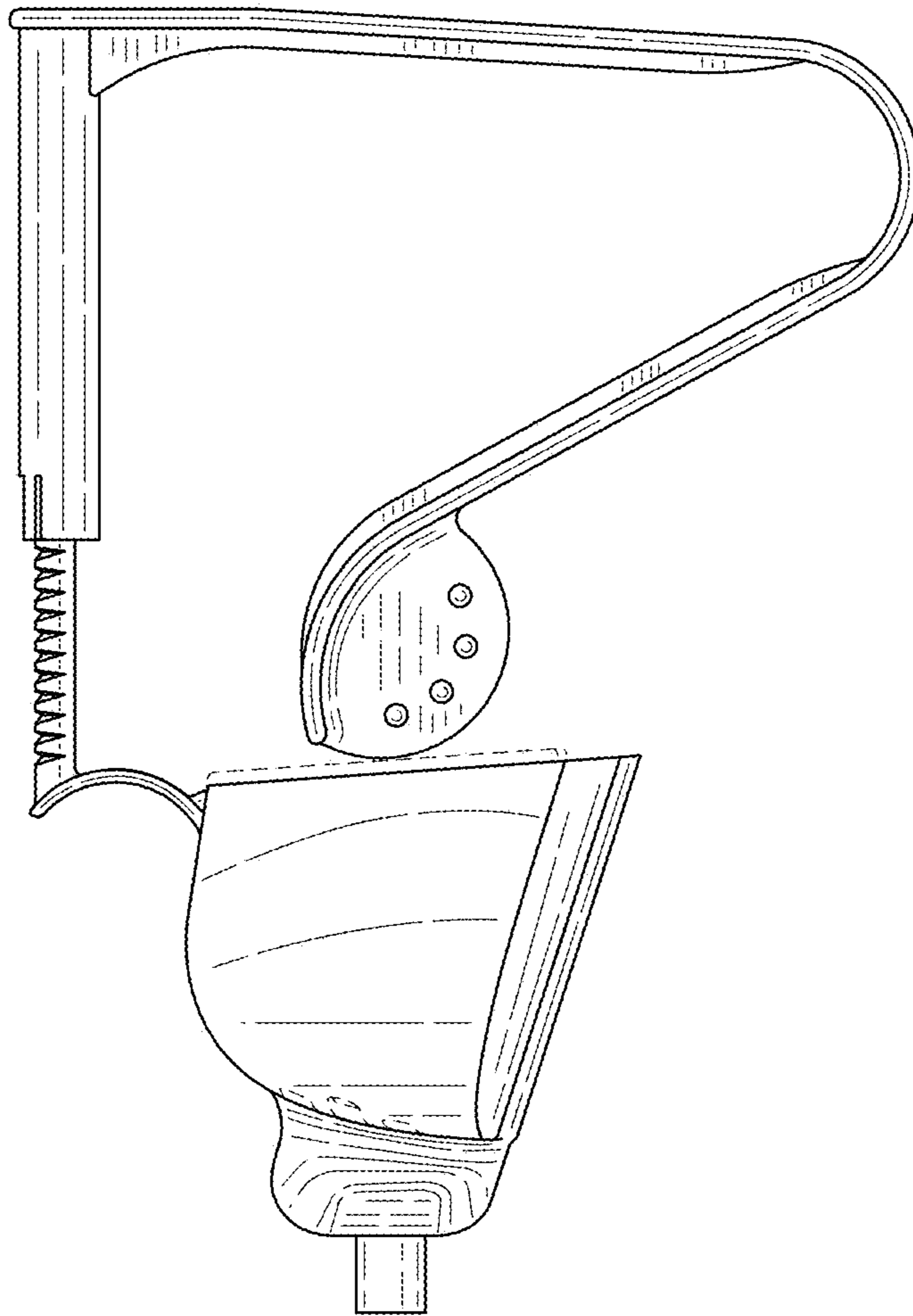


FIG. 5

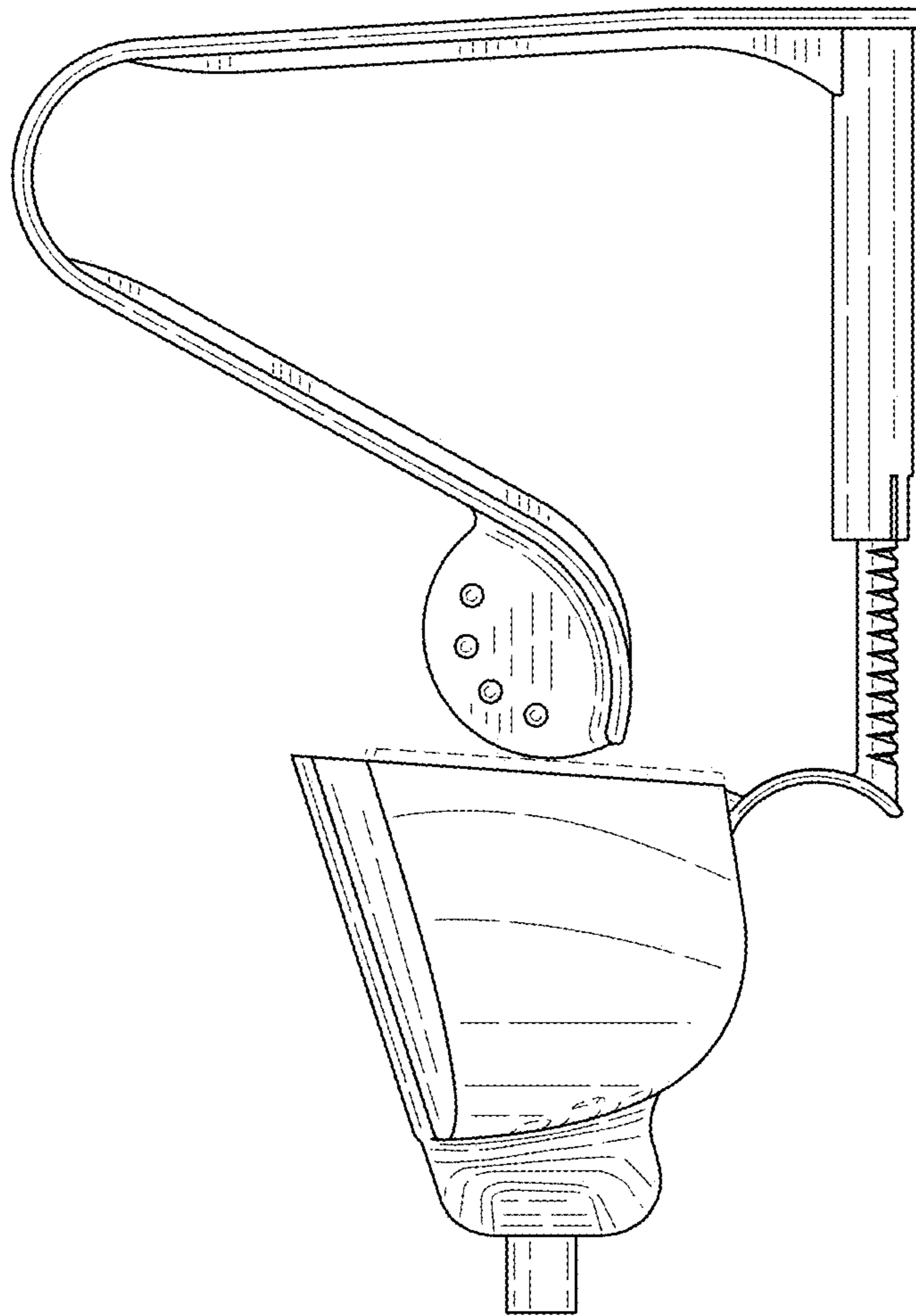


FIG. 6



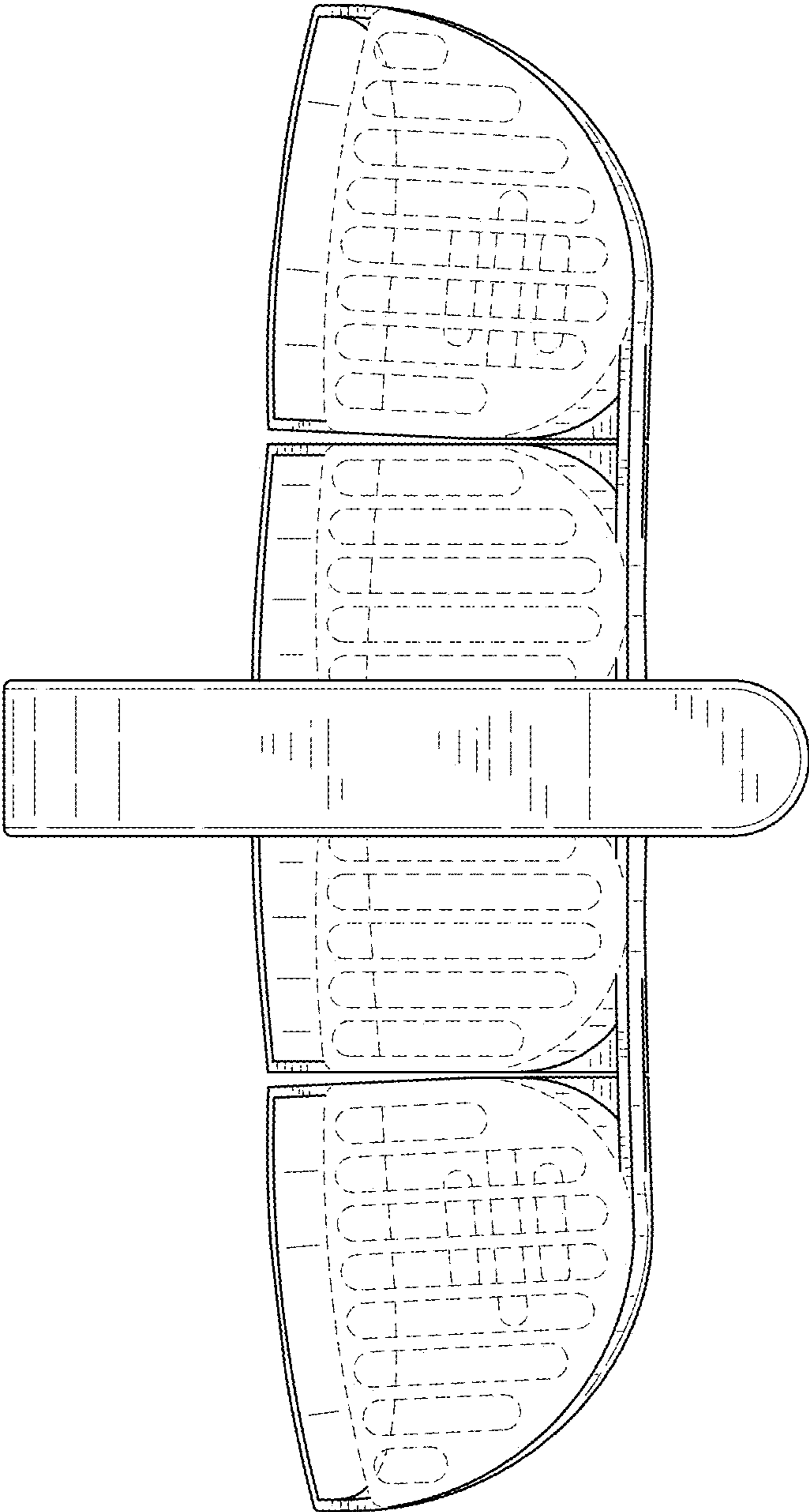


FIG. 7

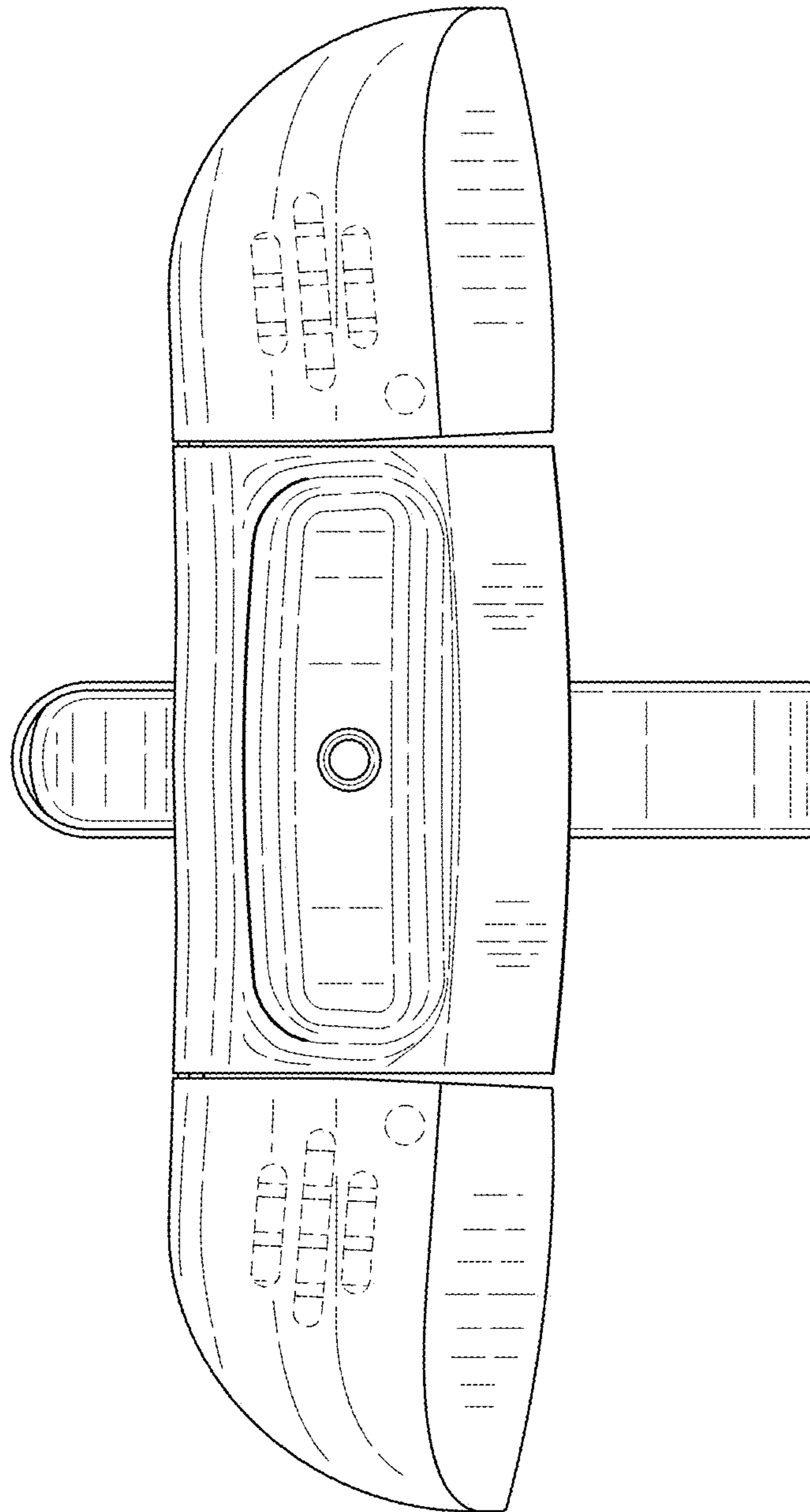


FIG. 8