



US00D968554S

(12) **United States Design Patent**
Liu

(10) **Patent No.:** **US D968,554 S**

(45) **Date of Patent:** **** Nov. 1, 2022**

(54) **SOLAR FOUNTAIN**

(71) Applicant: **Shenzhen Haisi Tuopu E-business Co., Ltd**, Shenzhen (CN)

(72) Inventor: **Yao Liu**, Hunan Province (CN)

(**) Term: **15 Years**

(21) Appl. No.: **29/780,180**

(22) Filed: **Apr. 22, 2021**

(51) **LOC (13) Cl.** **23-01**

(52) **U.S. Cl.**
USPC **D23/201**

(58) **Field of Classification Search**
USPC D23/200, 201, 213, 214, 215, 238;
D13/102, 118, 184, 199
CPC B05B 1/044; B05B 17/08; B05B 17/085;
F21S 9/037; F21W 2121/02; F21W
2131/109; F21W 2131/401
See application file for complete search history.

(56) **References Cited**

U.S. PATENT DOCUMENTS

3,838,816	A *	10/1974	Huff	B05B 17/08 239/18
D475,116	S *	5/2003	Chan	D23/201
D610,741	S *	2/2010	Trimi	D26/120
D631,128	S *	1/2011	Laporta	D23/201
D877,855	S *	3/2020	Wei	D23/201
D899,558	S *	10/2020	Wei	D23/201
D939,042	S *	12/2021	Guan	D23/201
D944,916	S *	3/2022	Chen	D23/201
D946,695	S *	3/2022	Yan	D23/201
D947,315	S *	3/2022	Wu	D23/201
2004/0020999	A1 *	2/2004	Beidokhti	B05B 17/08 239/17
2008/0191053	A1 *	8/2008	Liao	B05B 17/08 239/17
2020/0156087	A1 *	5/2020	Dane	B05B 1/10
2020/0254466	A1 *	8/2020	Dane	B05B 1/28

2021/0102543	A1 *	4/2021	Reeves-Jackson	...	F04D 13/024
2021/0225213	A1 *	7/2021	Muck	F21V 23/06
2022/0008950	A1 *	1/2022	Chen	F21S 9/037

OTHER PUBLICATIONS

Aisitn 5.5W LED Solar Fountain, May 6, 2021, Amazon, site visited Jul. 22, 2022: <https://www.amazon.co.uk/dp/B08S2WZJ2M/> (Year: 2021).*

Aisitn 3.5W Solar Bird Bath Fountain, Mar. 9, 2020, Amazon, site visited Jul. 22, 2022: <https://www.amazon.com/dp/B083BVKVML/> (Year: 2020).*

Fankutoys Solar Fountain, Dec. 21, 2020, Amazon, site visited Jul. 22, 2022: <https://www.amazon.com/dp/B08R3FW3Z5/> (Year: 2020).*

* cited by examiner

Primary Examiner — Jack Reickel

Assistant Examiner — Bobby W Jones, II

(57) **CLAIM**

The ornamental design for a solar fountain, as shown and described.

DESCRIPTION

FIG. 1 is a front and top perspective view of a solar fountain, showing my new design;

FIG. 2 is a rear and bottom perspective view thereof;

FIG. 3 is a front elevation view thereof;

FIG. 4 is a rear elevation view thereof;

FIG. 5 is a left side elevation view thereof

FIG. 6 is a right side elevation view thereof;

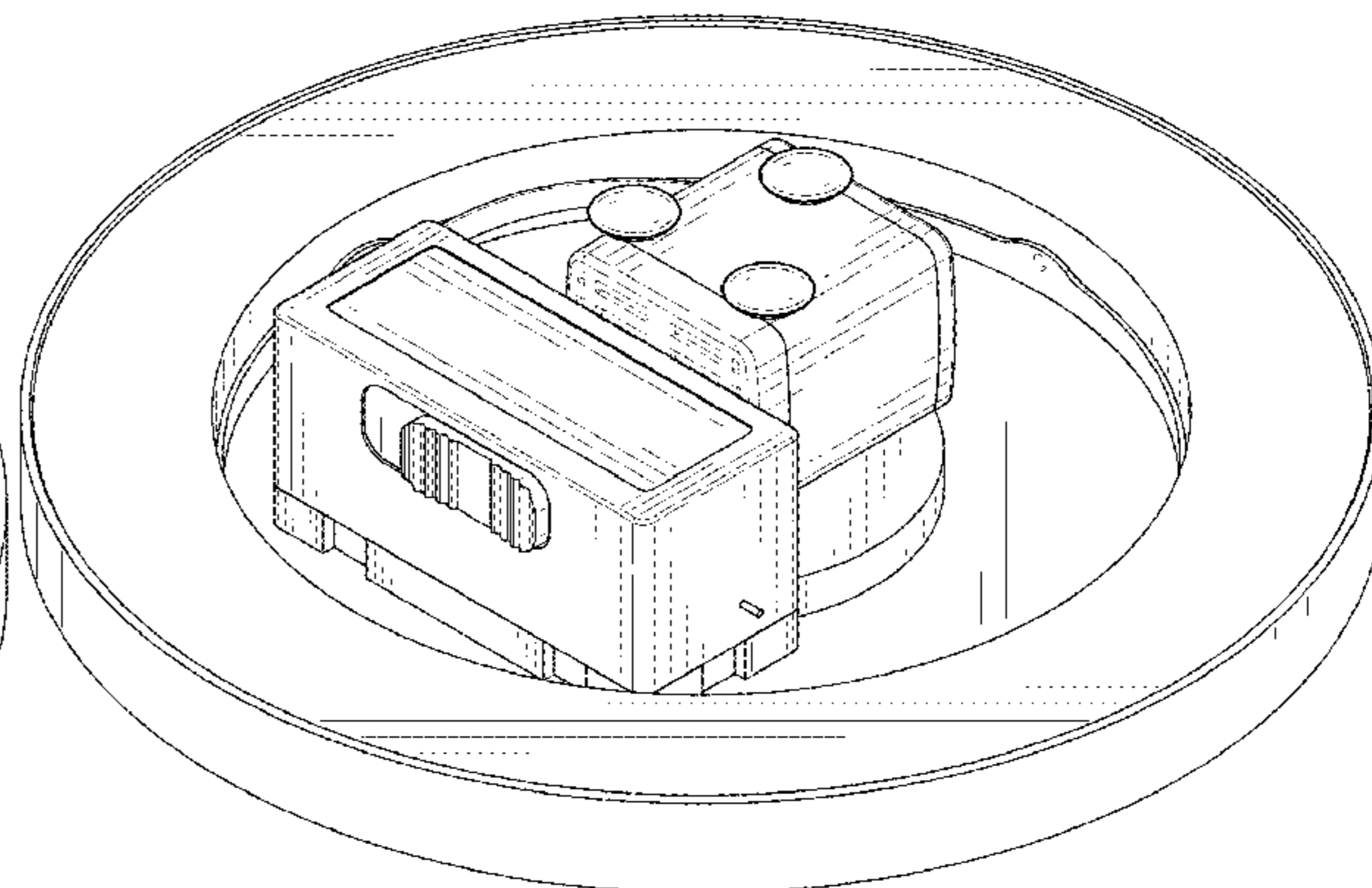
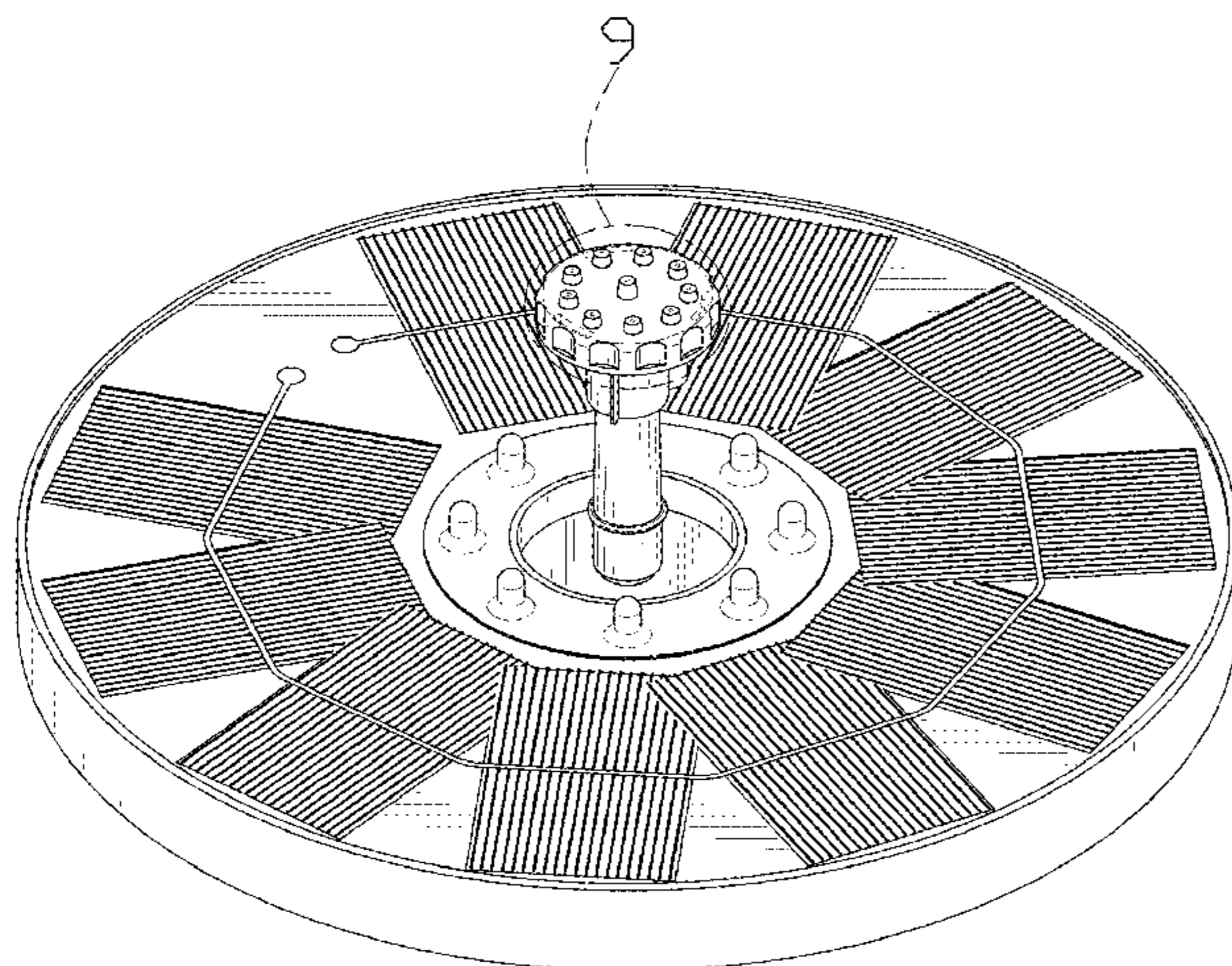
FIG. 7 is a top plan view thereof;

FIG. 8 is a bottom plan view thereof; and,

FIG. 9 is an enlarged view of a portion indicated with numeric 9 in FIG. 1.

The dash dot dash lines in FIGS. 1 and 9 are for the purpose of depicting the cut line of the enlarged view and form no part of the claim. The broken lines in the figures illustrate portions of the article that form no part of the claimed design.

1 Claim, 9 Drawing Sheets



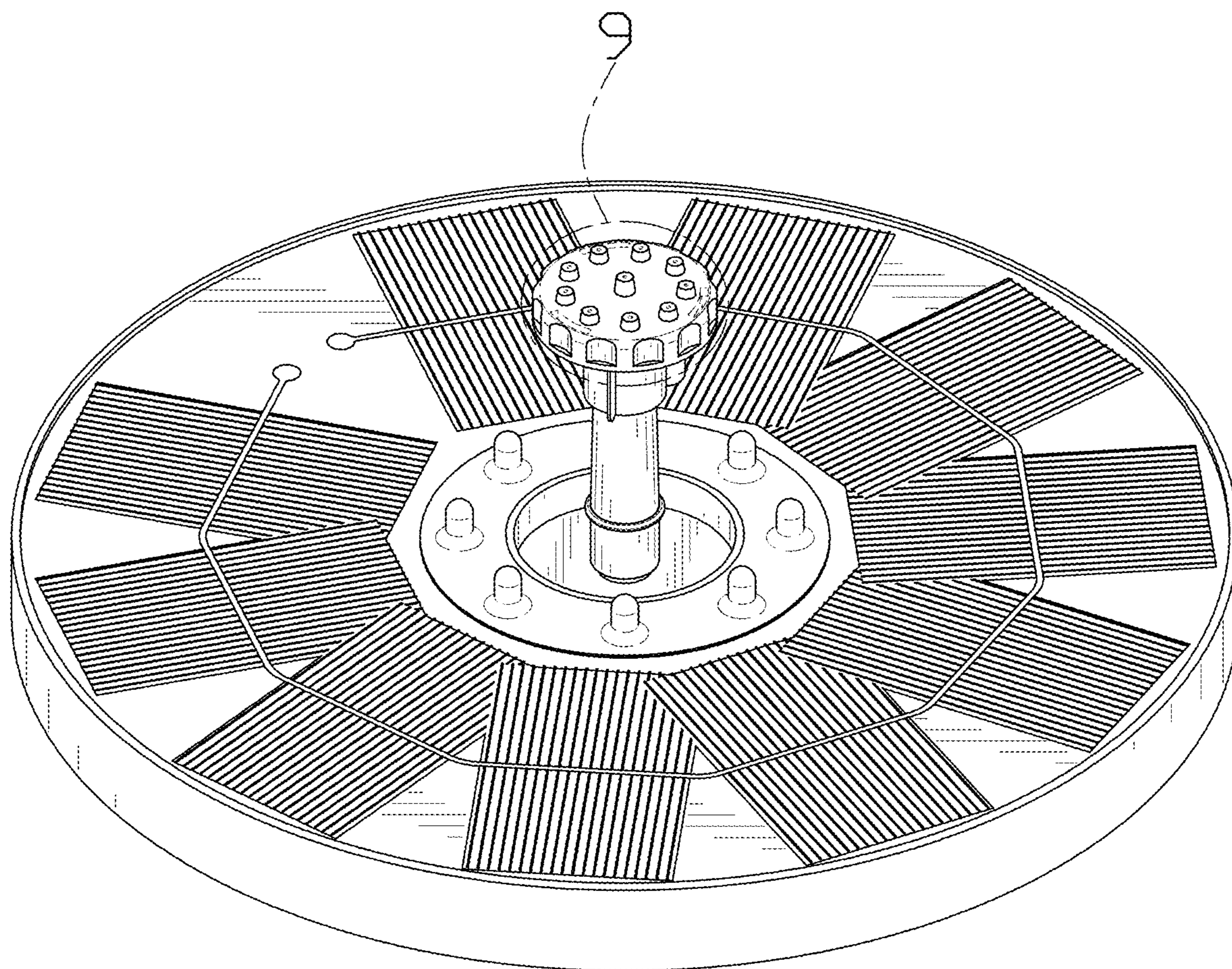


FIG. 1

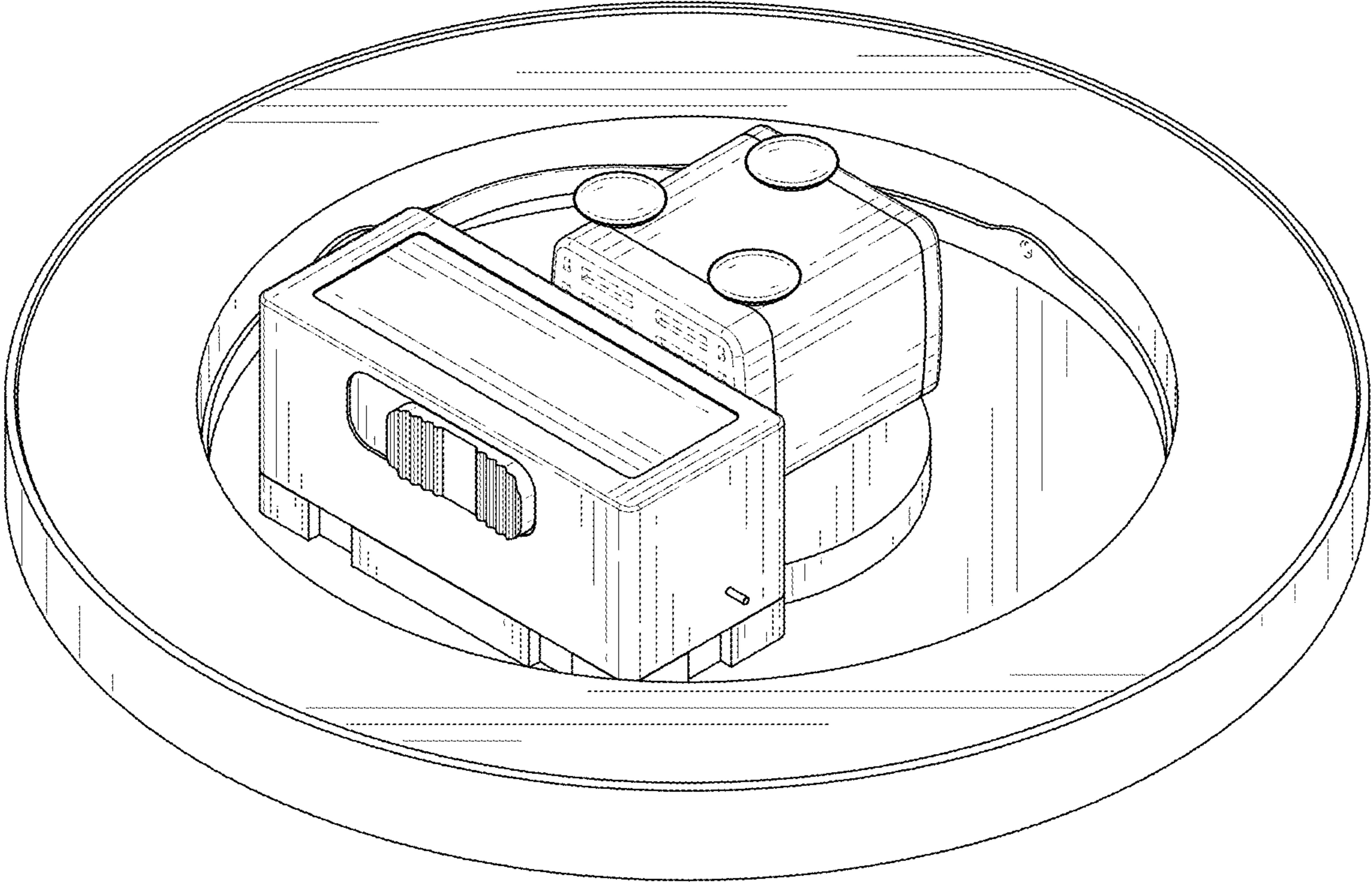


FIG. 2

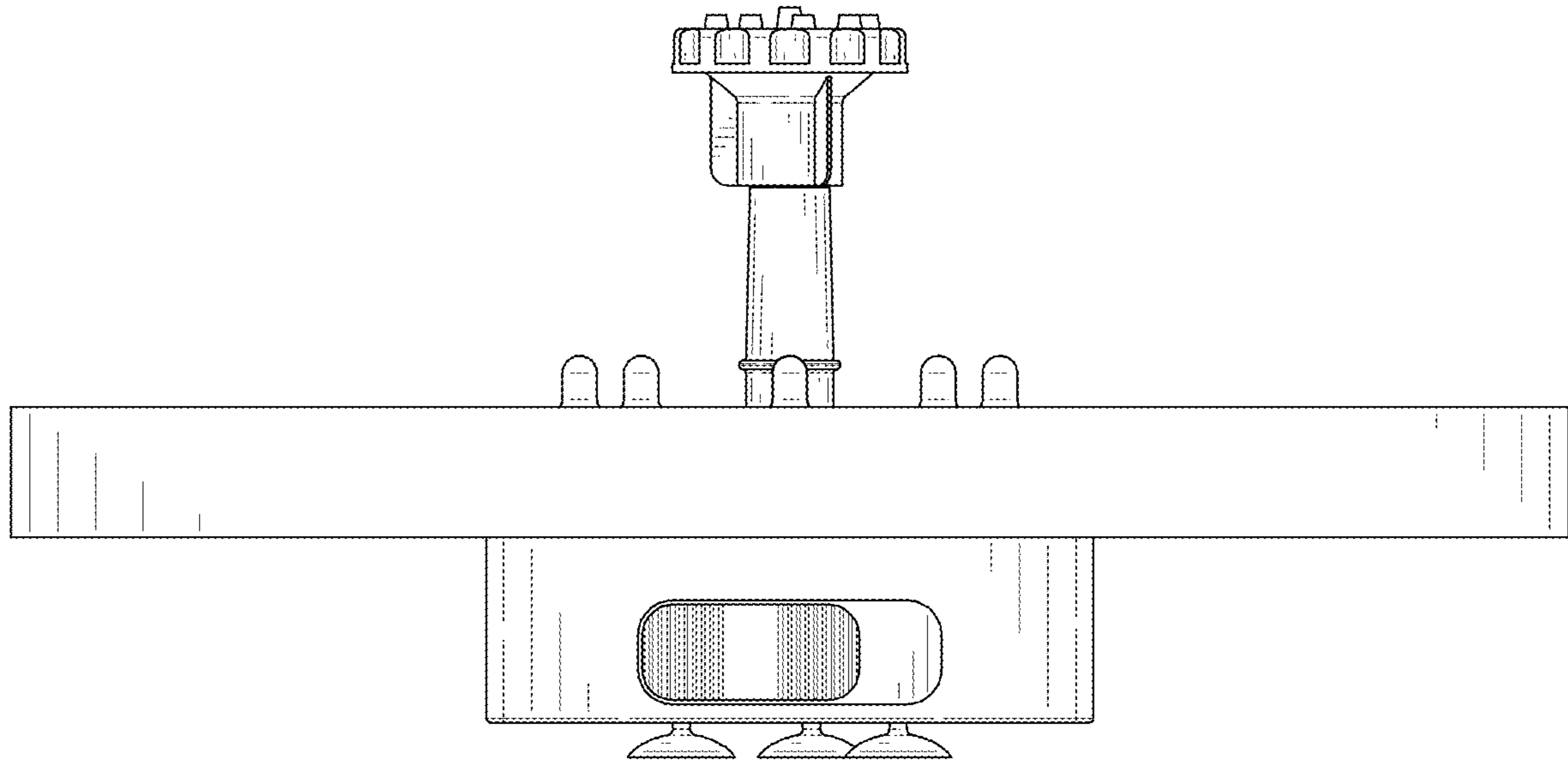


FIG. 3

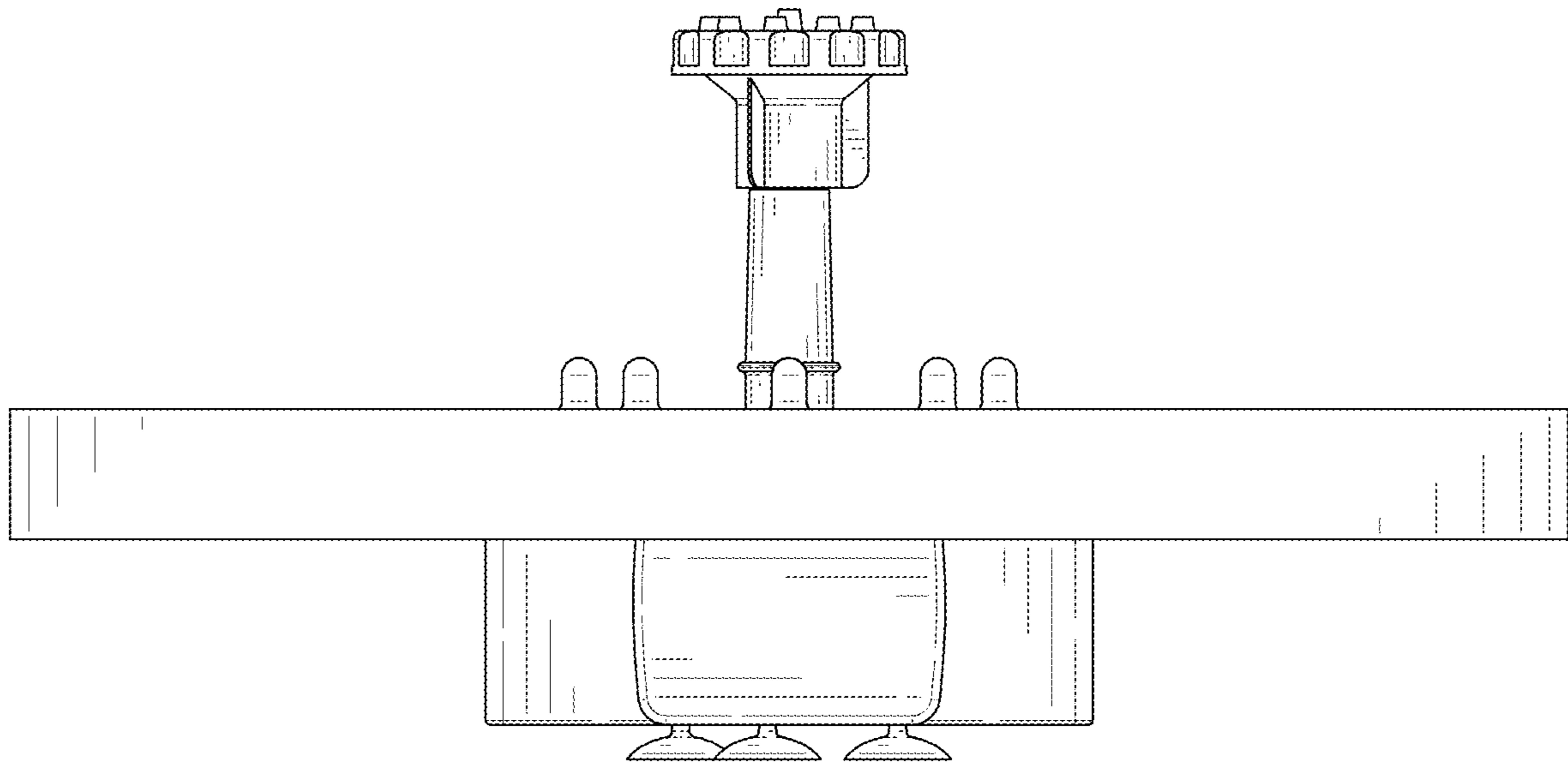


FIG. 4

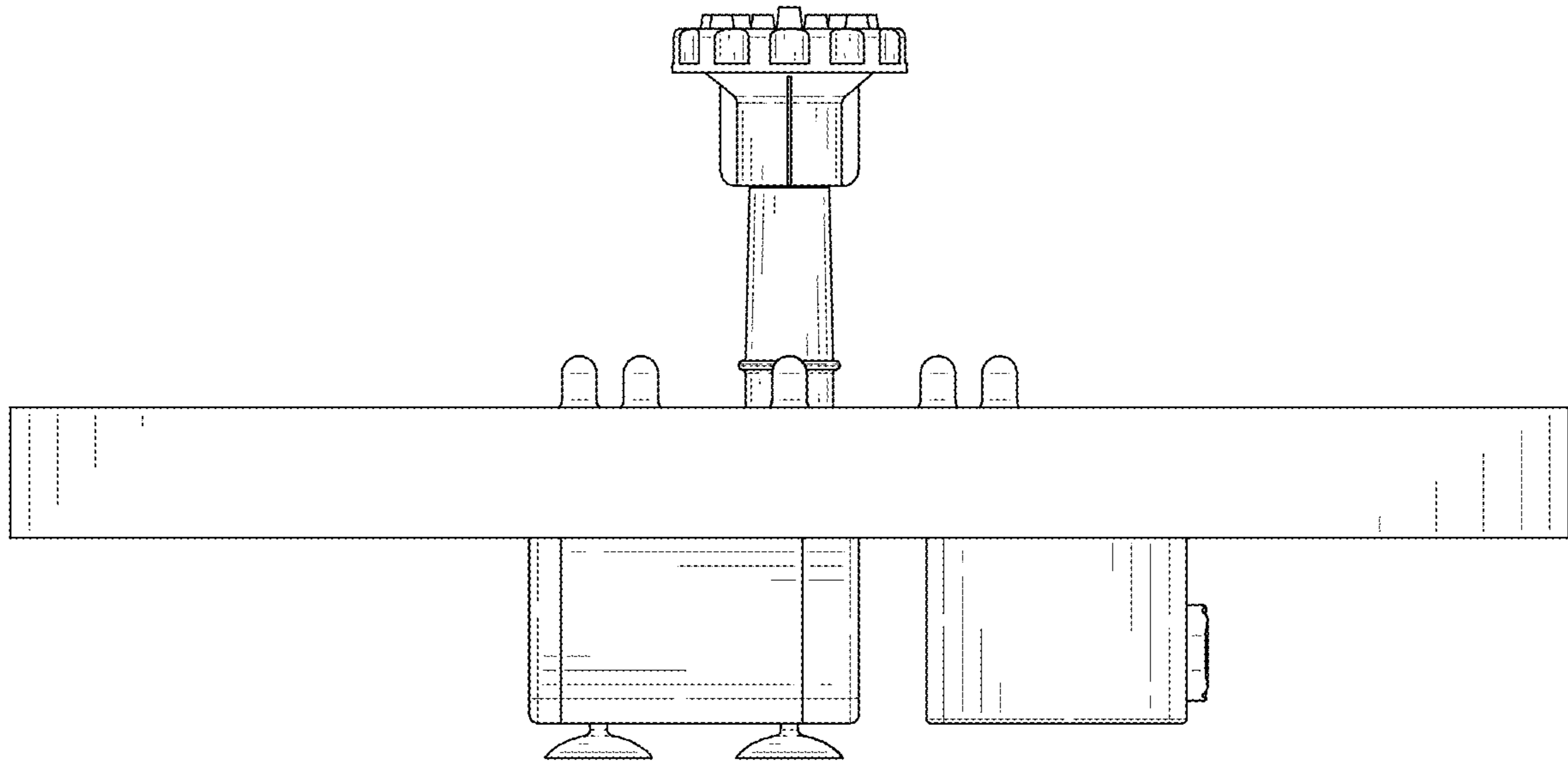


FIG. 5

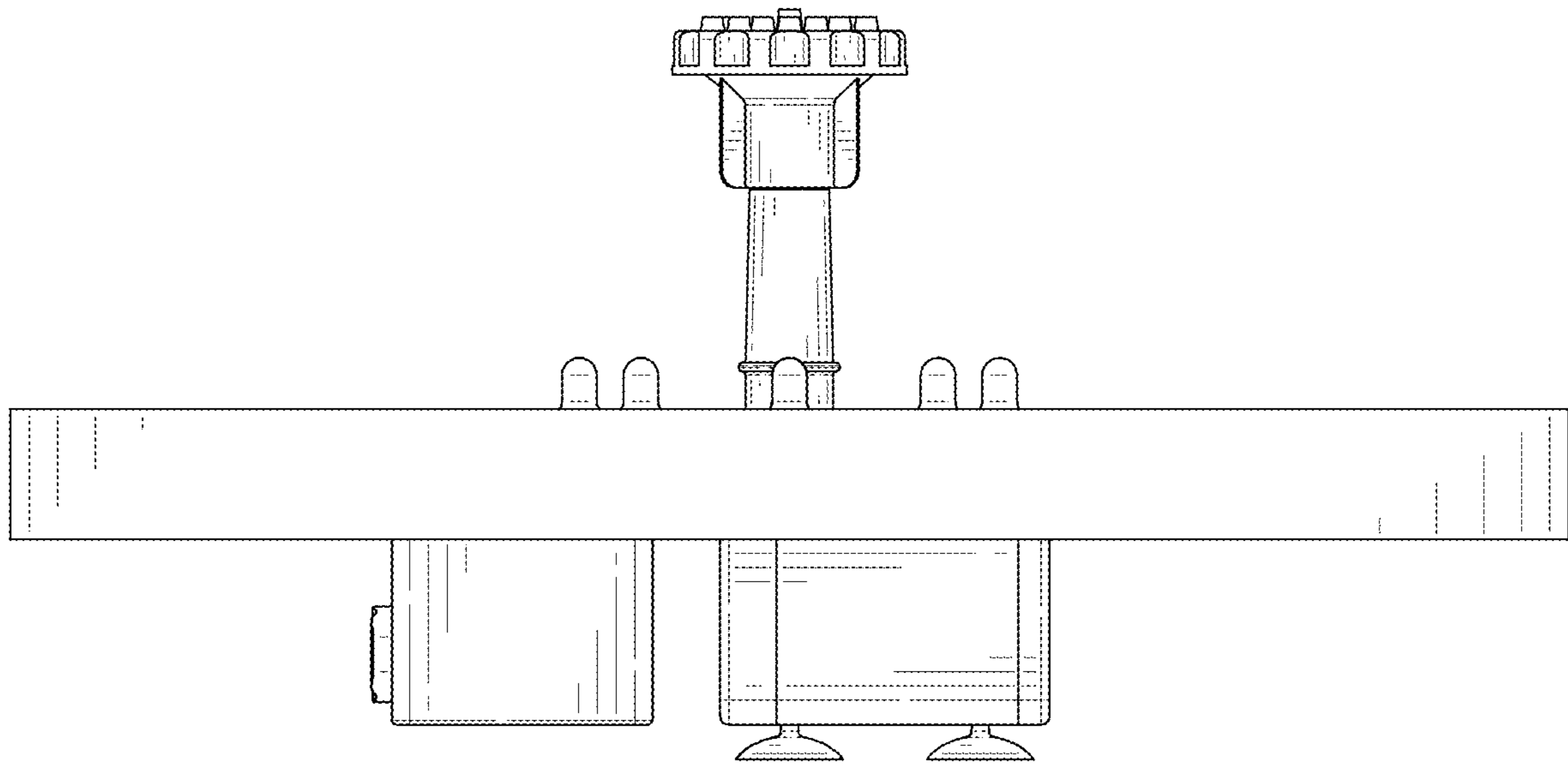


FIG. 6

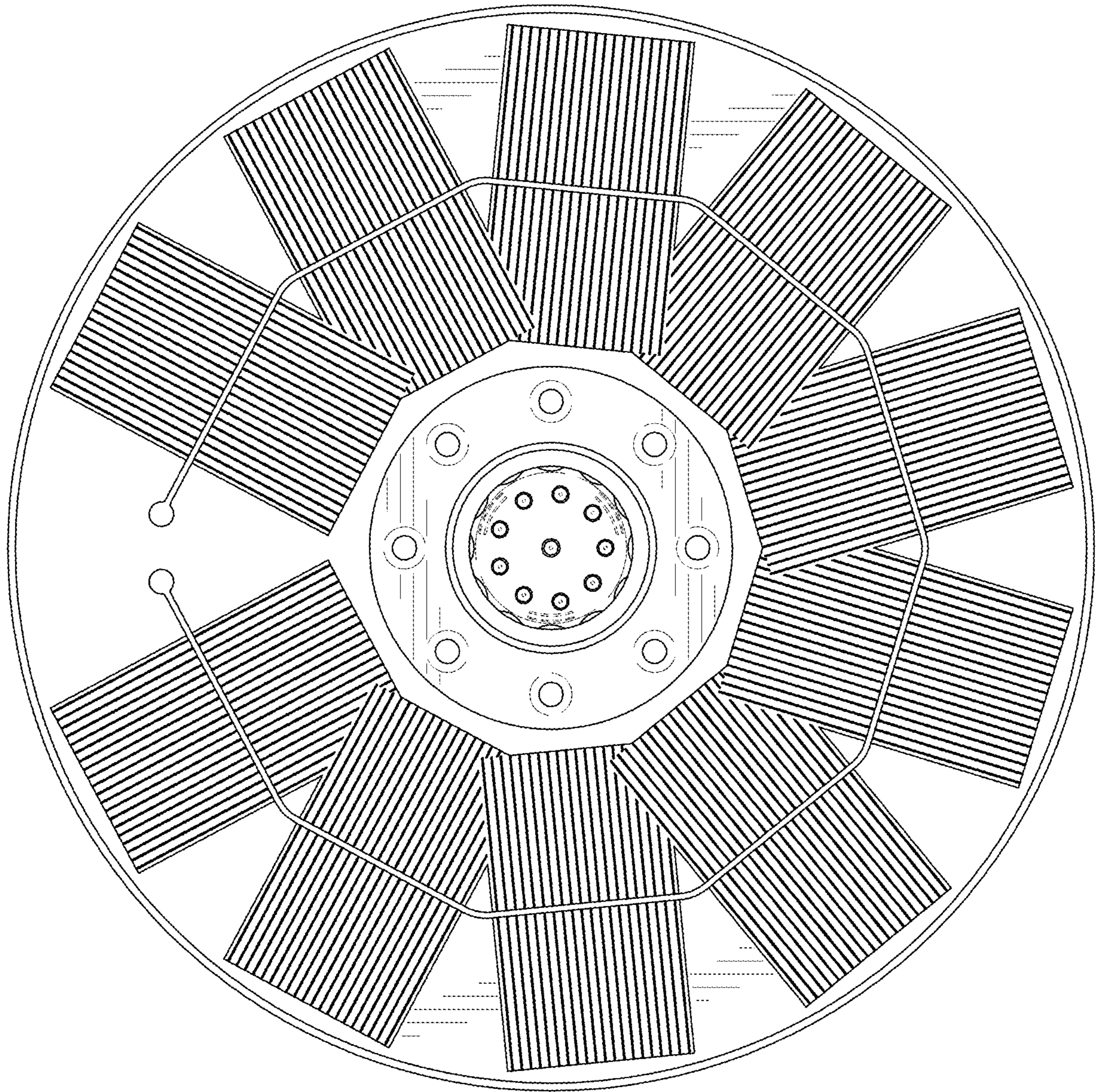


FIG. 7

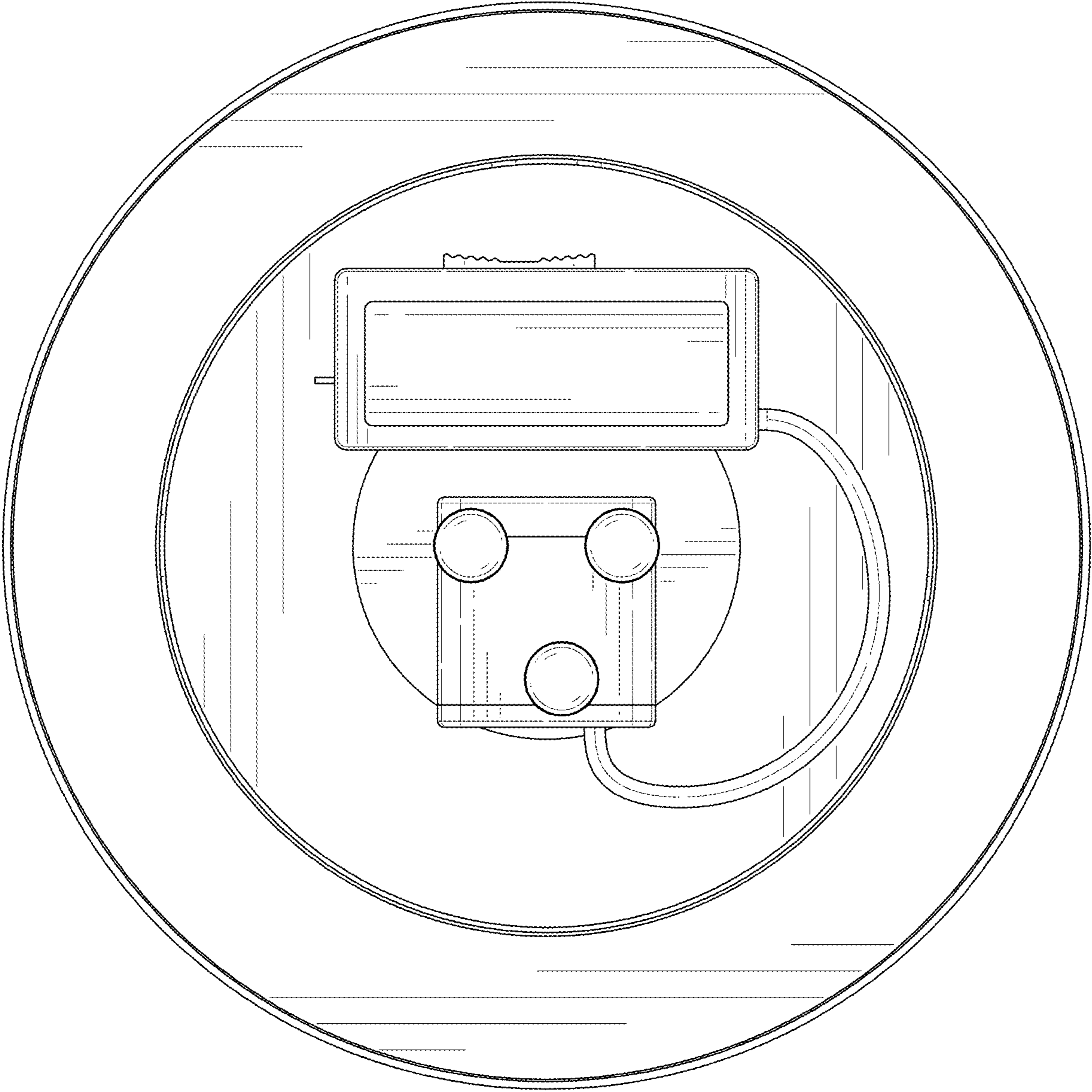


FIG. 8

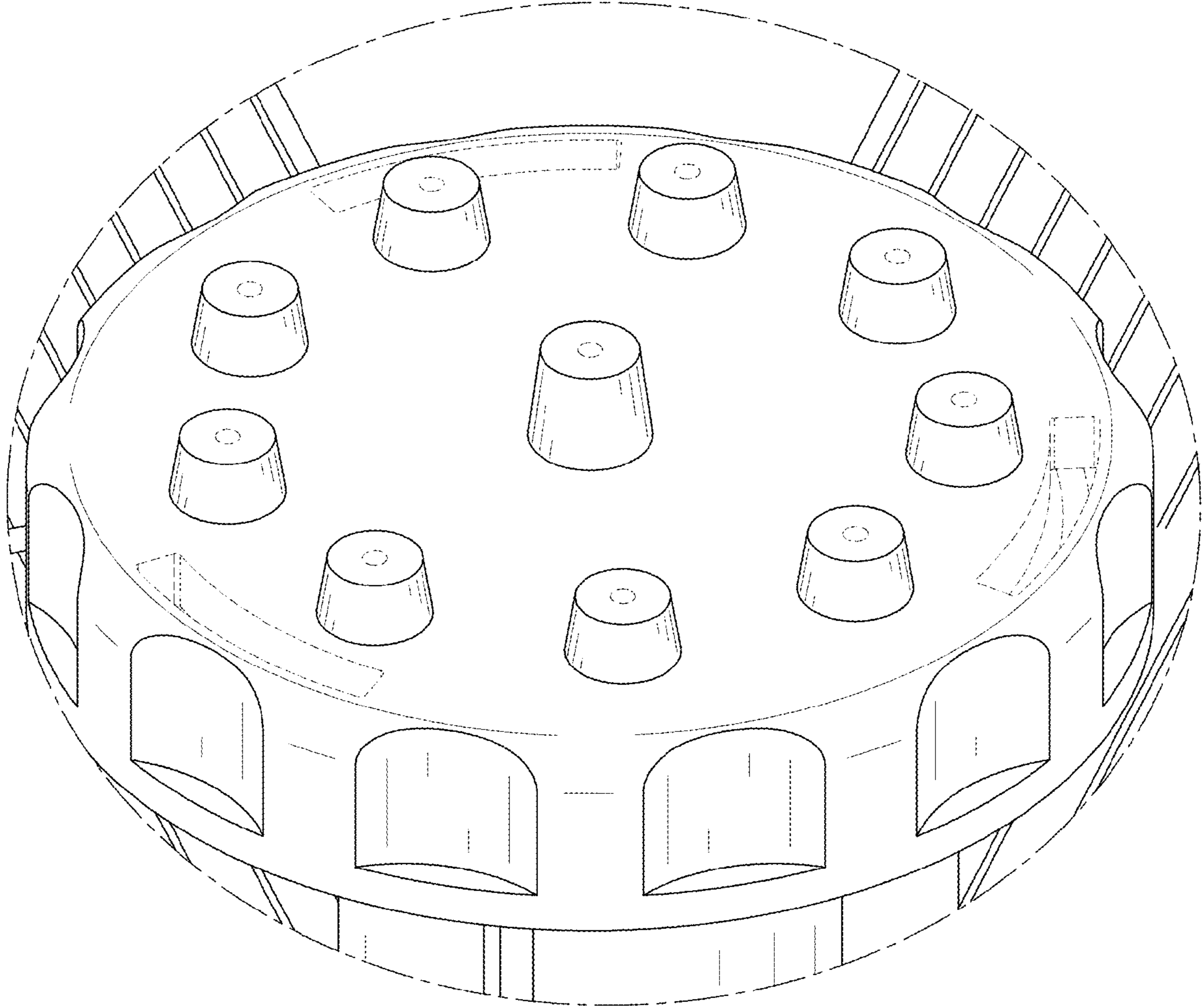


FIG. 9