



US00D968552S

(12) **United States Design Patent**
Chen

(10) **Patent No.:** **US D968,552 S**

(45) **Date of Patent:** **** Nov. 1, 2022**

(54) **MAGAZINE LOADER**

(71) Applicant: **Sheng Chen**, Ningbo (CN)

(72) Inventor: **Sheng Chen**, Ningbo (CN)

(**) Term: **15 Years**

(21) Appl. No.: **29/843,325**

(22) Filed: **Jun. 20, 2022**

(51) **LOC (13) Cl.** **22-01**

(52) **U.S. Cl.**
USPC **D22/108**

(58) **Field of Classification Search**
USPC D22/108
CPC F41A 9/83; F41A 9/82; F41A 9/66
See application file for complete search history.

(56) **References Cited**

U.S. PATENT DOCUMENTS

| | | | | | | |
|--------------|----|---|---------|---------|-------|-----------|
| D824,477 | S | * | 7/2018 | Hefer | | D22/108 |
| D836,178 | S | * | 12/2018 | Hefer | | D22/108 |
| D839,985 | S | * | 2/2019 | Sealing | | D22/108 |
| D846,056 | S | * | 4/2019 | Hefer | | D22/108 |
| D851,722 | S | * | 6/2019 | Hefer | | D22/108 |
| D872,217 | S | * | 1/2020 | Tai | | D22/108 |
| D900,270 | S | * | 10/2020 | Hefer | | F41A 9/83 |
| | | | | | | D22/108 |
| D919,035 | S | * | 5/2021 | Chen | | D22/108 |
| D921,150 | S | * | 6/2021 | Chen | | D22/108 |
| 11,060,810 | B2 | * | 7/2021 | Chen | | F41A 9/83 |
| D926,915 | S | * | 8/2021 | Zheng | | D22/108 |
| D931,403 | S | | 9/2021 | Deng | | |
| D932,583 | S | * | 10/2021 | Tang | | D22/108 |
| D938,541 | S | * | 12/2021 | Xia | | D22/108 |
| 11,204,213 | B1 | * | 12/2021 | Chen | | F41A 9/83 |
| D946,688 | S | * | 3/2022 | Chen | | D22/108 |
| 2008/0184608 | A1 | * | 8/2008 | Tal | | F41A 9/83 |

42/87

| | | | | | | |
|--------------|----|---|---------|-----------|-------|------------|
| 2012/0152221 | A1 | * | 6/2012 | Meggs | | F41A 9/83 |
| | | | | | | 206/204 |
| 2018/0058785 | A1 | * | 3/2018 | Hefer | | F41A 9/83 |
| 2021/0381785 | A1 | * | 12/2021 | Underwood | | F41A 35/06 |

OTHER PUBLICATIONS

“Ludex Universal Magazine Speed Loader for 9mm,10mm.40.357.380 1911 Single and Double-Stack and .45 Single Stack Magazine” [online]. Ludex. [Product first available on Jan. 24, 2022]. Retrieved from the Internet: <<https://www.amazon.com/dp/B09R21PGLS/>>.*

“Butler Creek ASAP Universal Single Stack Magazine Loader 9mm—.45 ACP BCA1XSML,BLACK” [online]. Butler Creek. [Product first available on Jul. 13, 2017]. Retrieved from the Internet: <<https://www.amazon.com/dp/B073X7X9YL/>>.*

“Springfield Armory XD(M) 9mm & .40 S&W Mag Loader XDM3510ML” [online]. Springfield Armory. [Product first available on Oct. 11, 2016]. Retrieved from the Internet: <<https://www.amazon.com/dp/B01MDK51PY/>>.*

* cited by examiner

Primary Examiner — Mojtaba Tehrani

(57) **CLAIM**

The ornamental design for a magazine loader, as shown and described.

DESCRIPTION

FIG. 1 is a perspective view of a magazine loader showing my new design;

FIG. 2 is another perspective view thereof;

FIG. 3 is another perspective view thereof;

FIG. 4 is a front elevational view thereof;

FIG. 5 is a rear elevational view thereof;

FIG. 6 is a left side elevational view thereof;

FIG. 7 is a right side elevational view thereof;

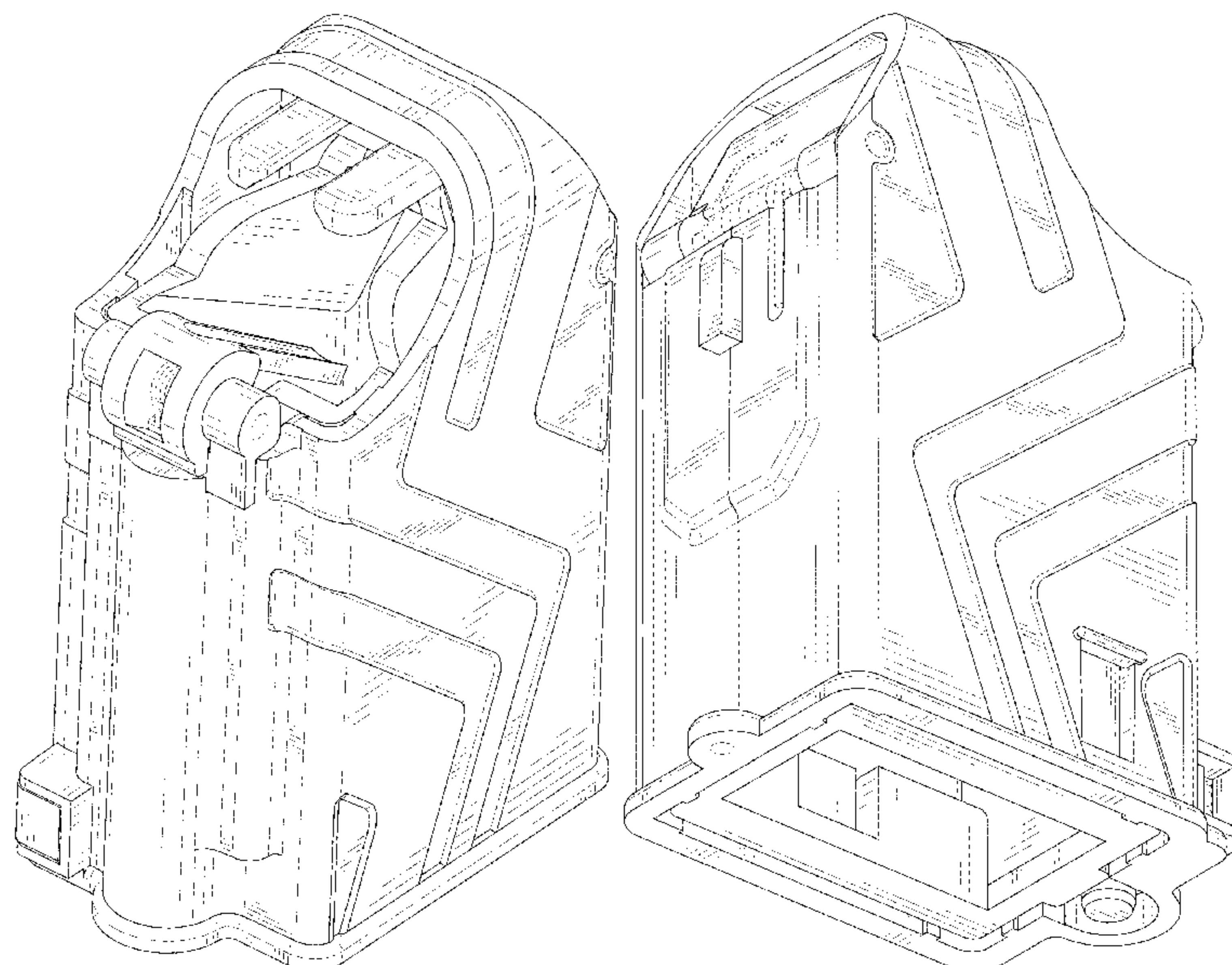
FIG. 8 is a top plan view thereof;

FIG. 9 is a bottom plan view thereof; and,

FIG. 10 is a perspective view of the magazine loader where the magazine loader is in a configuration of use.

The broken lines in the drawings depict portions of the magazine loader that form no part of the claimed design.

1 Claim, 10 Drawing Sheets



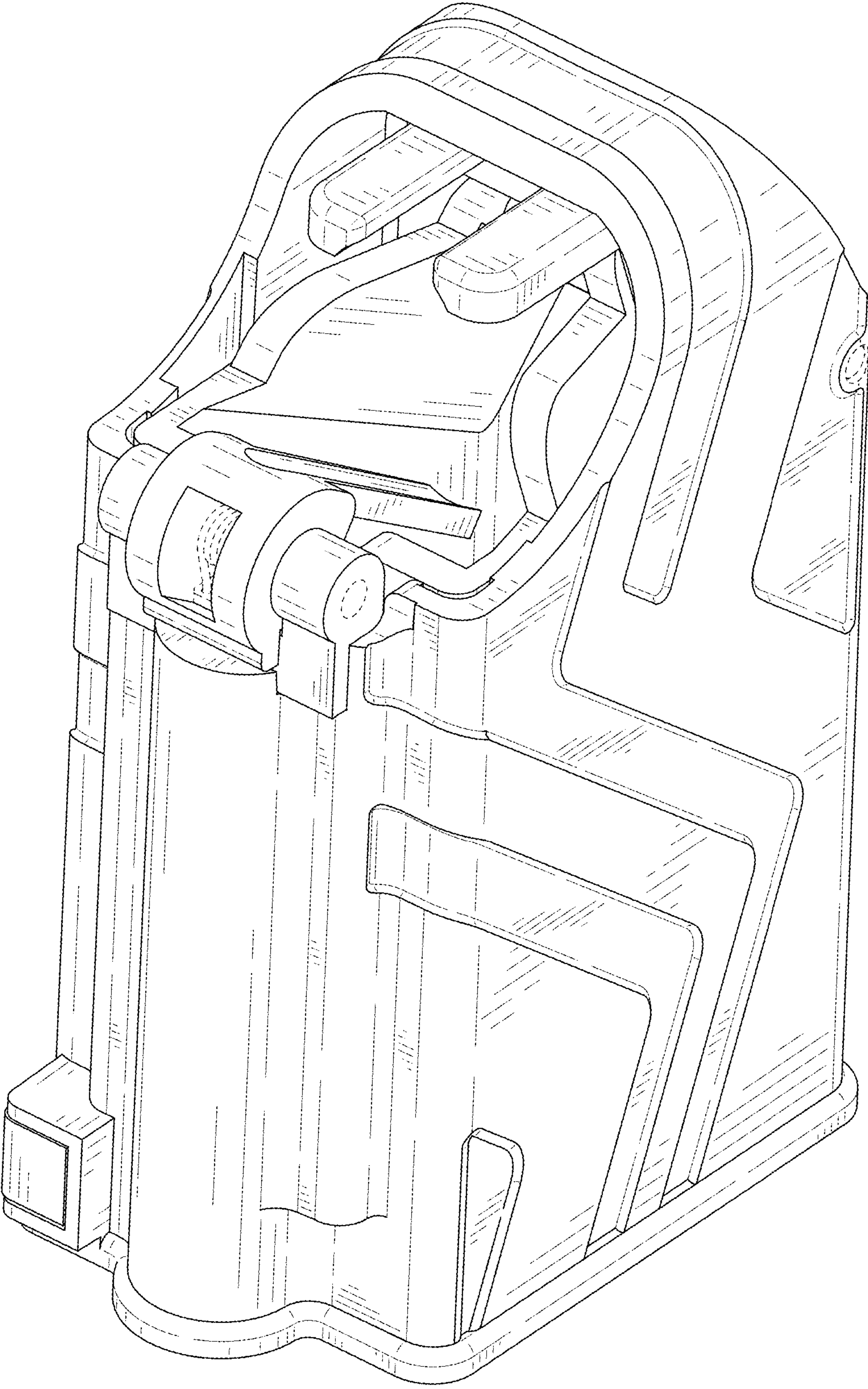


FIG. 1

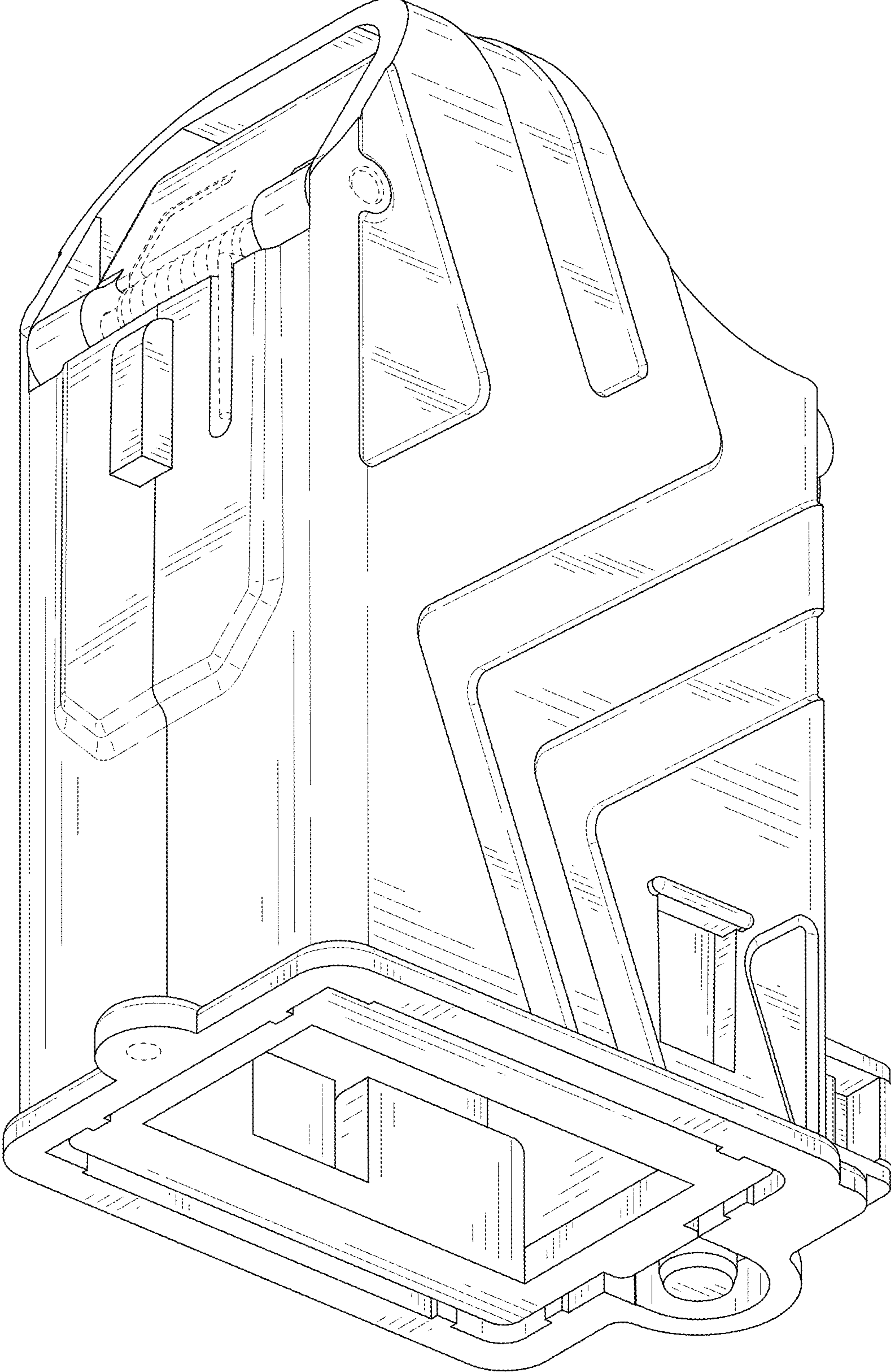


FIG. 2

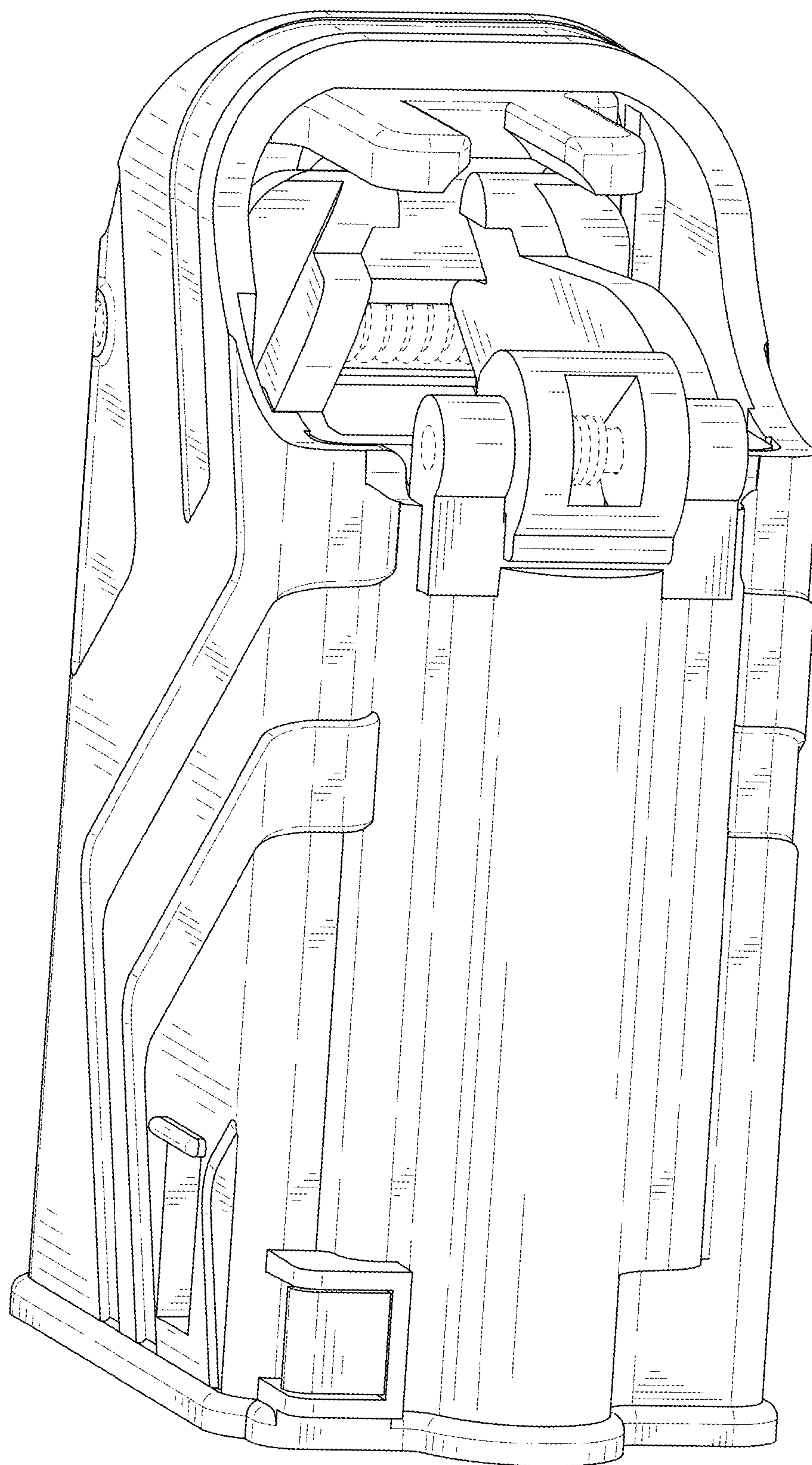


FIG. 3

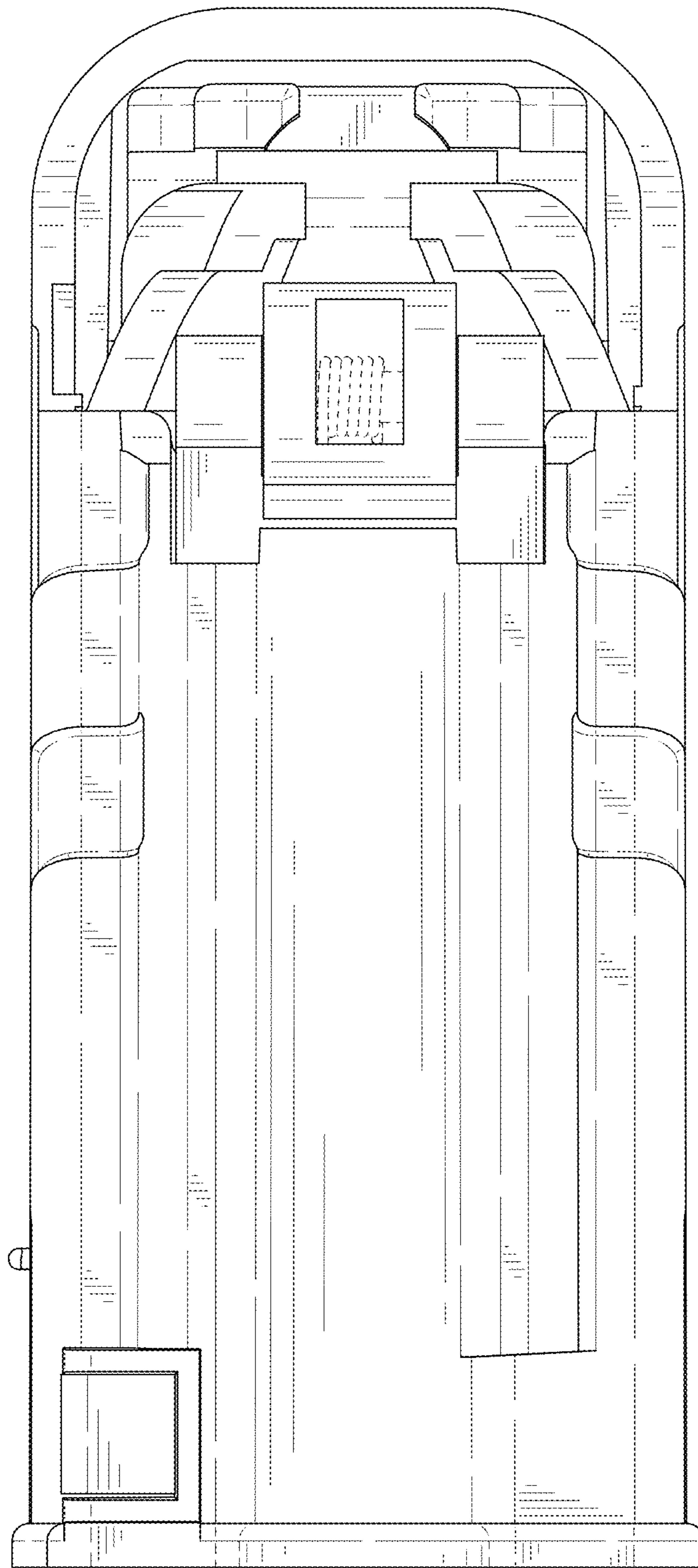


FIG. 4

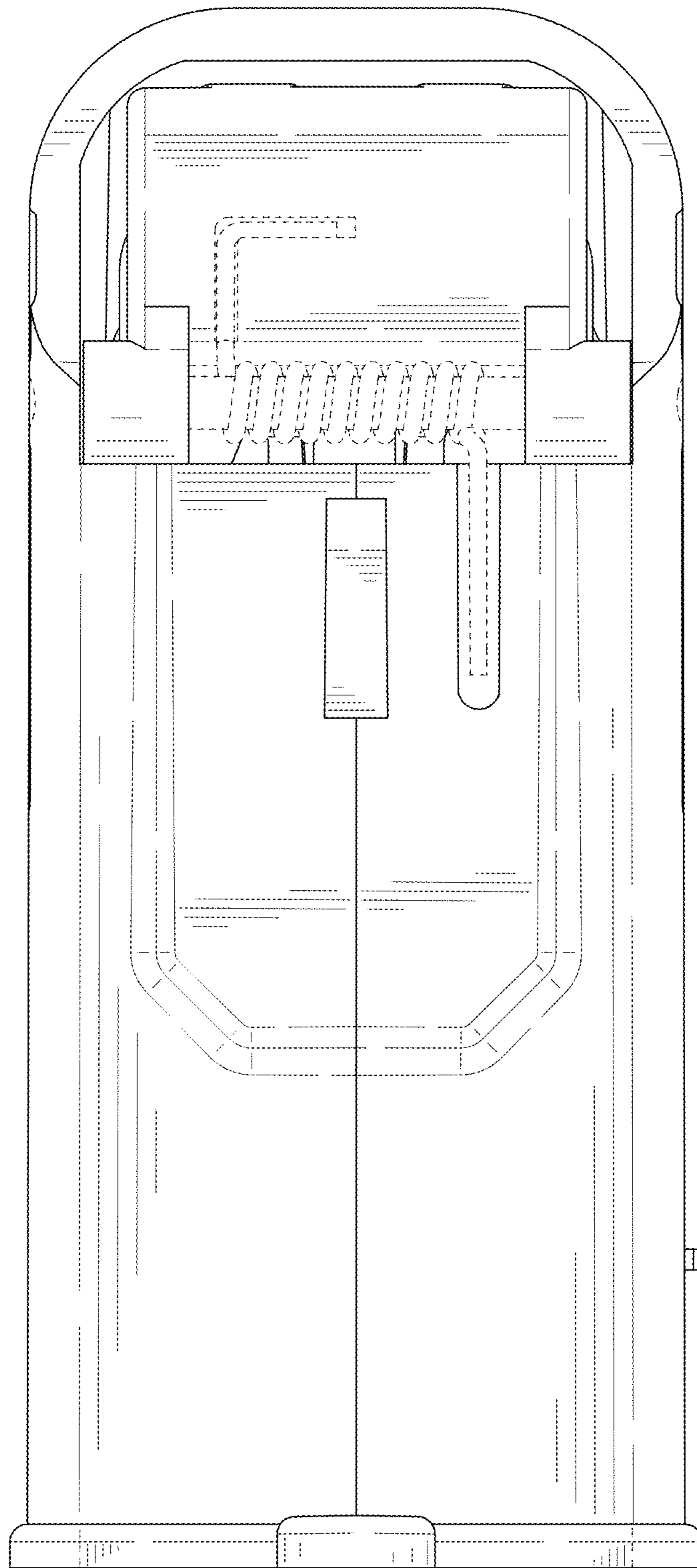


FIG. 5

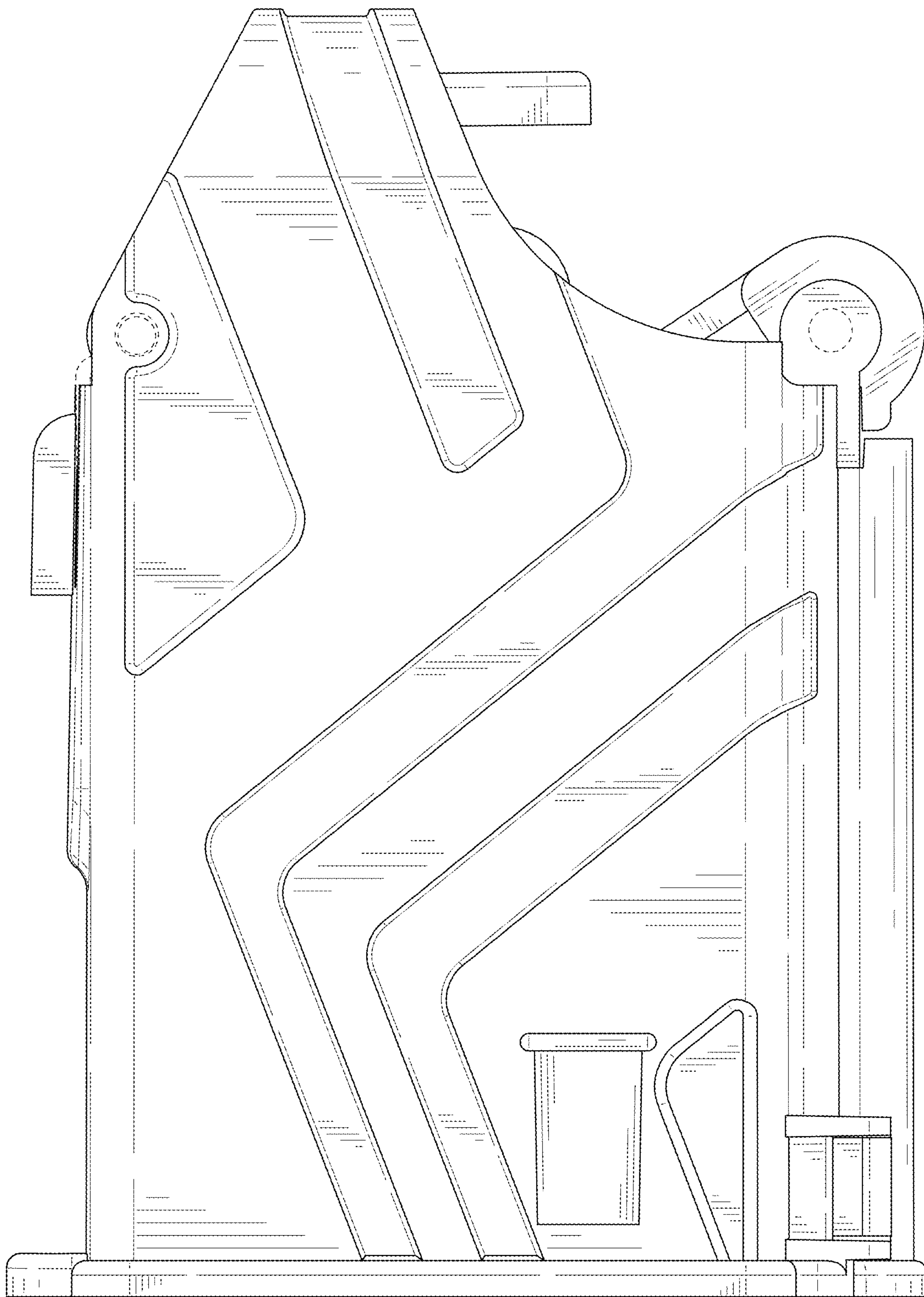


FIG. 6

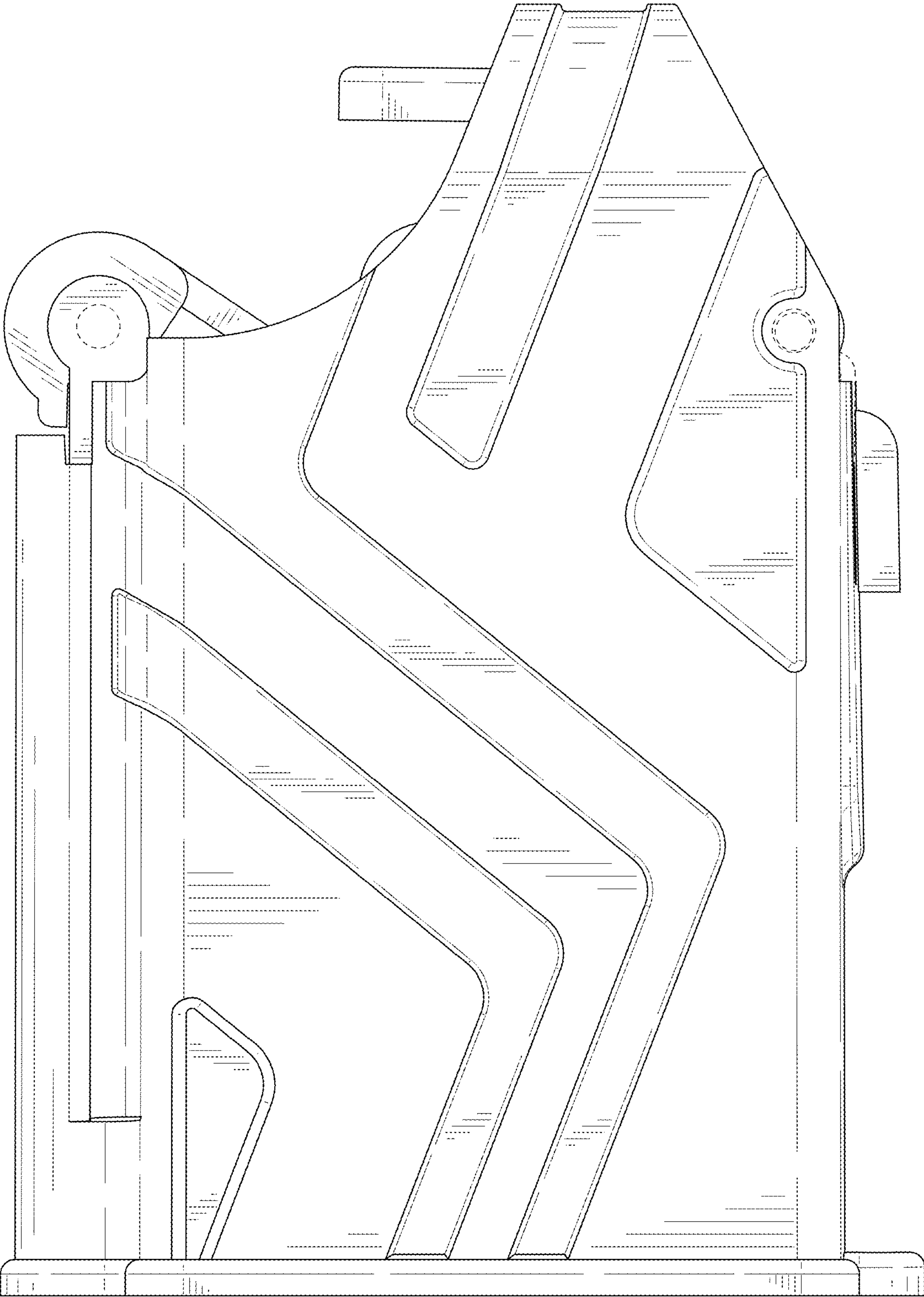


FIG. 7

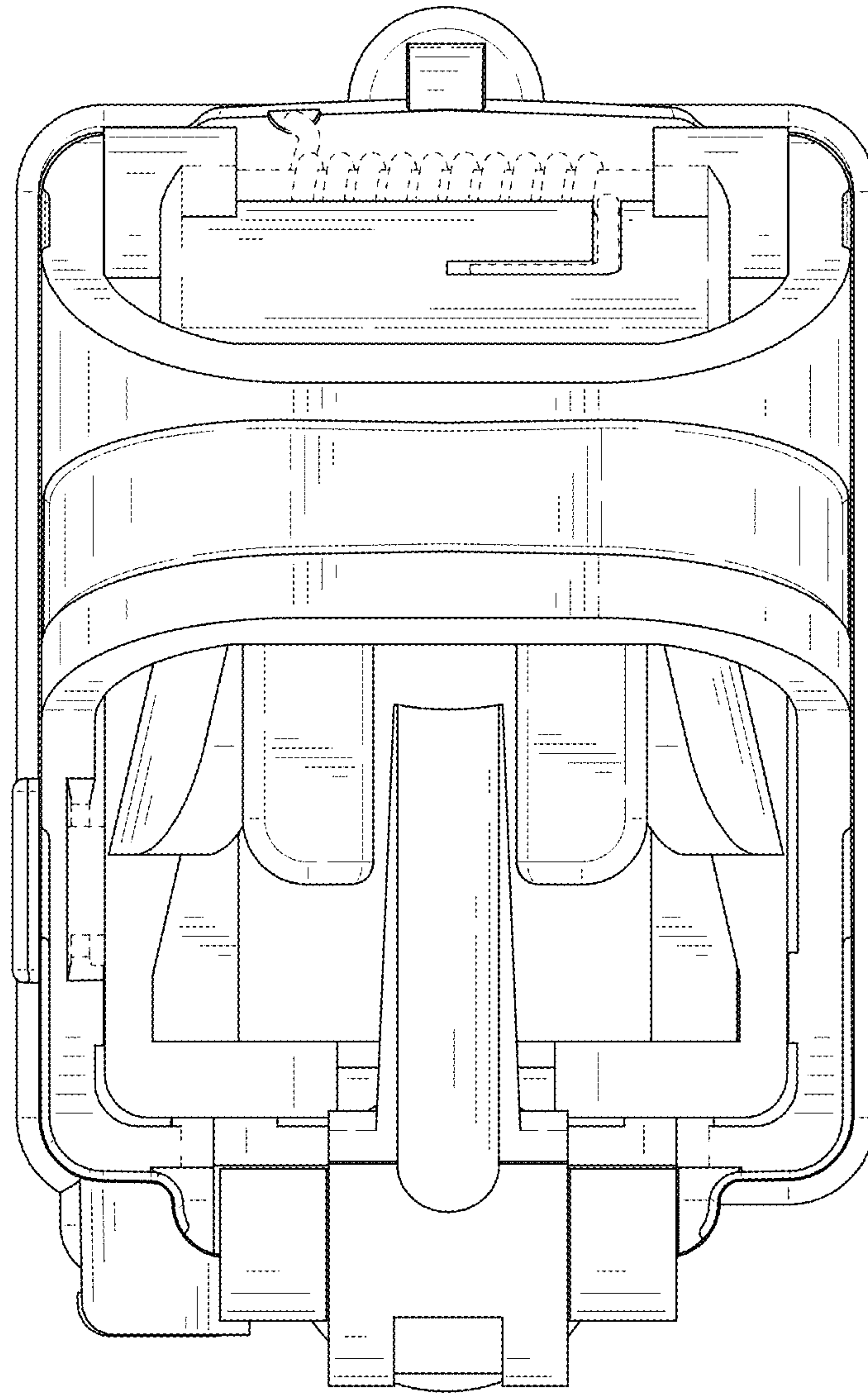


FIG. 8

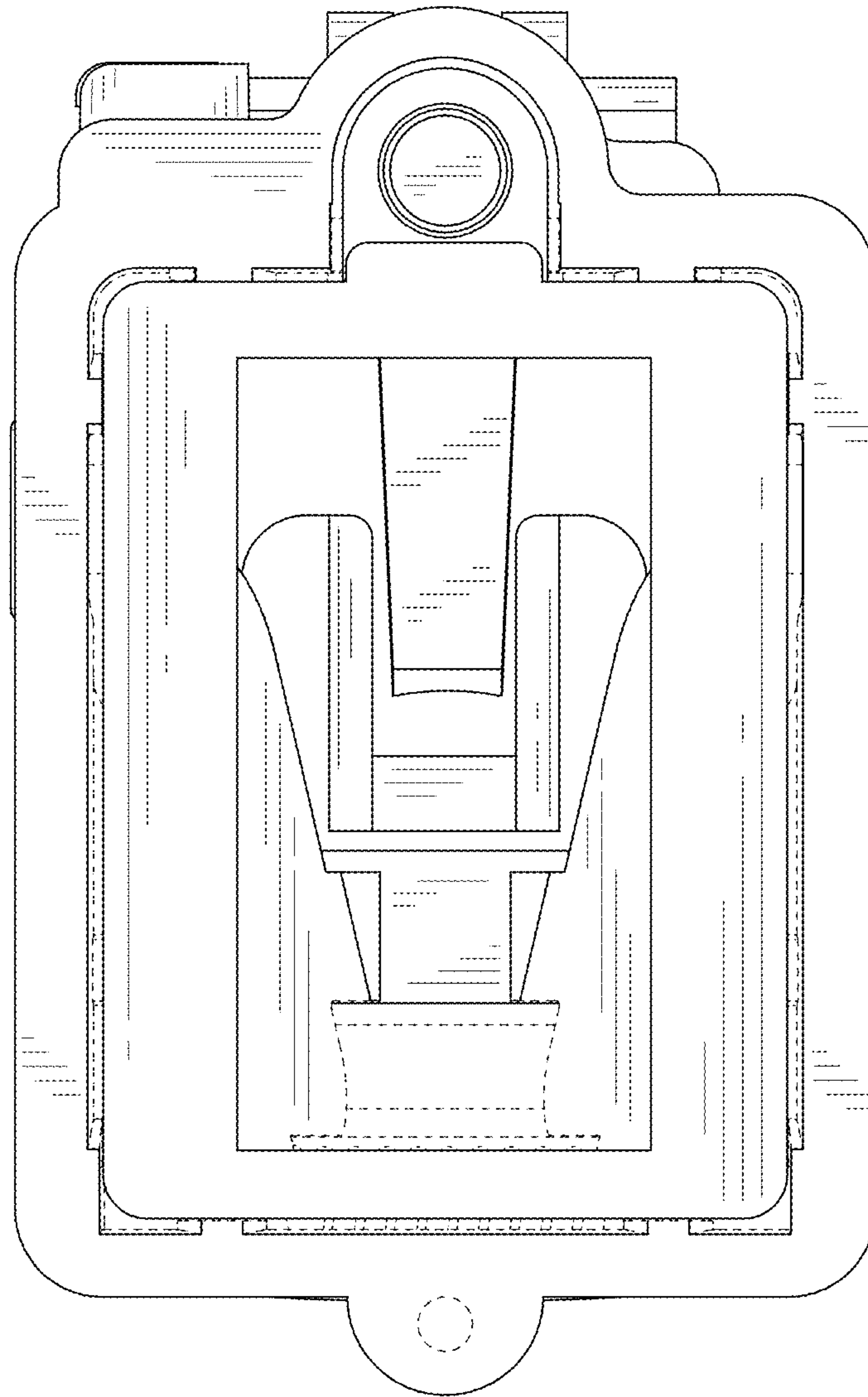


FIG. 9

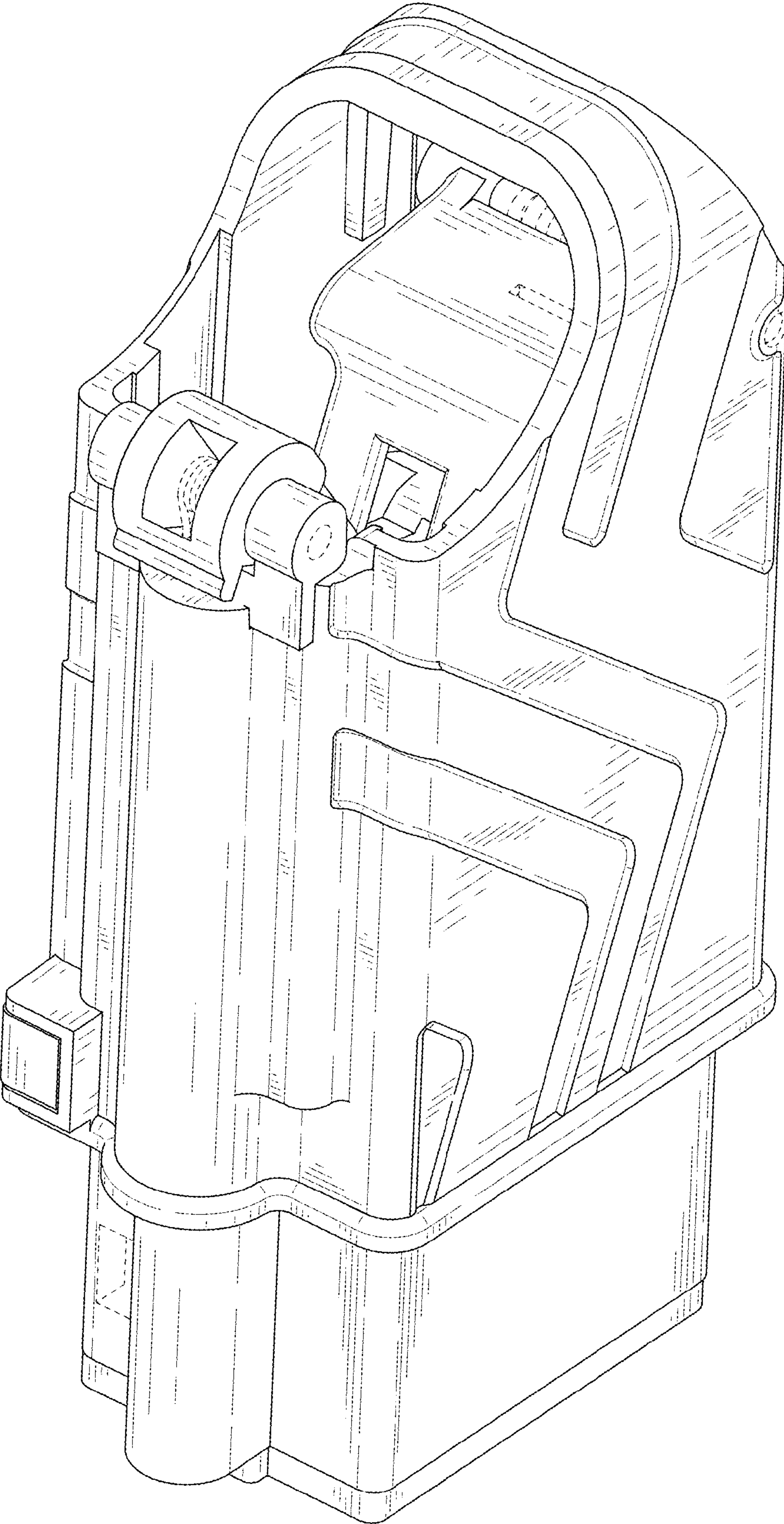


FIG. 10