



US00D968545S

(12) **United States Design Patent**
Nalla

(10) **Patent No.:** **US D968,545 S**

(45) **Date of Patent:** **** Nov. 1, 2022**

(54) **GOLF BALL MARKER**

(71) Applicant: **Anand Nalla**, Irvine, CA (US)

(72) Inventor: **Anand Nalla**, Irvine, CA (US)

(**) Term: **15 Years**

(21) Appl. No.: **29/801,445**

(22) Filed: **Jul. 28, 2021**

(51) **LOC (13) Cl.** **21-02**

(52) **U.S. Cl.**
USPC **D21/794**

(58) **Field of Classification Search**
USPC D21/789, 793, 794
CPC A63B 57/00; A63B 57/353; A63B 57/207;
A63B 57/30; A63B 57/35; A63B 57/50
See application file for complete search history.

(56) **References Cited**

U.S. PATENT DOCUMENTS

2,471,764	A	5/1949	Miller et al.	
D233,897	S *	12/1974	Rowland	D21/793
D276,356	S *	11/1984	Fortenberry	
4,858,925	A *	8/1989	DeStefano, Jr.	A63B 57/353 473/285
4,957,293	A *	9/1990	Byrd	A63B 53/14 473/285
D319,278	S *	8/1991	Tosti	D21/756
D319,862	S *	9/1991	Lahger	D21/794
D350,178	S *	8/1994	Kristovich	D21/794
6,422,955	B1	7/2002	Lopez	
D472,290	S *	3/2003	Kristoffersen	D21/794
D583,893	S *	12/2008	Ruff	D21/794
D588,226	S *	3/2009	Brown	D21/794
D627,021	S *	11/2010	Savarese	D21/753
D630,284	S *	1/2011	Desrosiers	D21/794

D819,143	S	5/2018	Lyon	
D903,772	S	12/2020	Porter	
D929,522	S *	8/2021	Bone	D21/759
2011/0009214	A1	1/2011	Steinberg	
2016/0023069	A1	1/2016	Haugen	

OTHER PUBLICATIONS

Golf ball marker stem google search; google.com; Jun. 27, 2022.*
Golfball marker google search; google.com; Jun. 27, 2022.*
Monogram Personalized Golf Club Markers; <https://www.personalizationmall.com/Personalized-Golf-Club-Markers-i11334-item?productid=1287&sdest=fprodcats&sdestid=251>; Jun. 27, 2022.*

* cited by examiner

Primary Examiner — Mitchell I. Siegel
(74) *Attorney, Agent, or Firm* — The Roy Gross Law Firm, LLC; Roy Gross

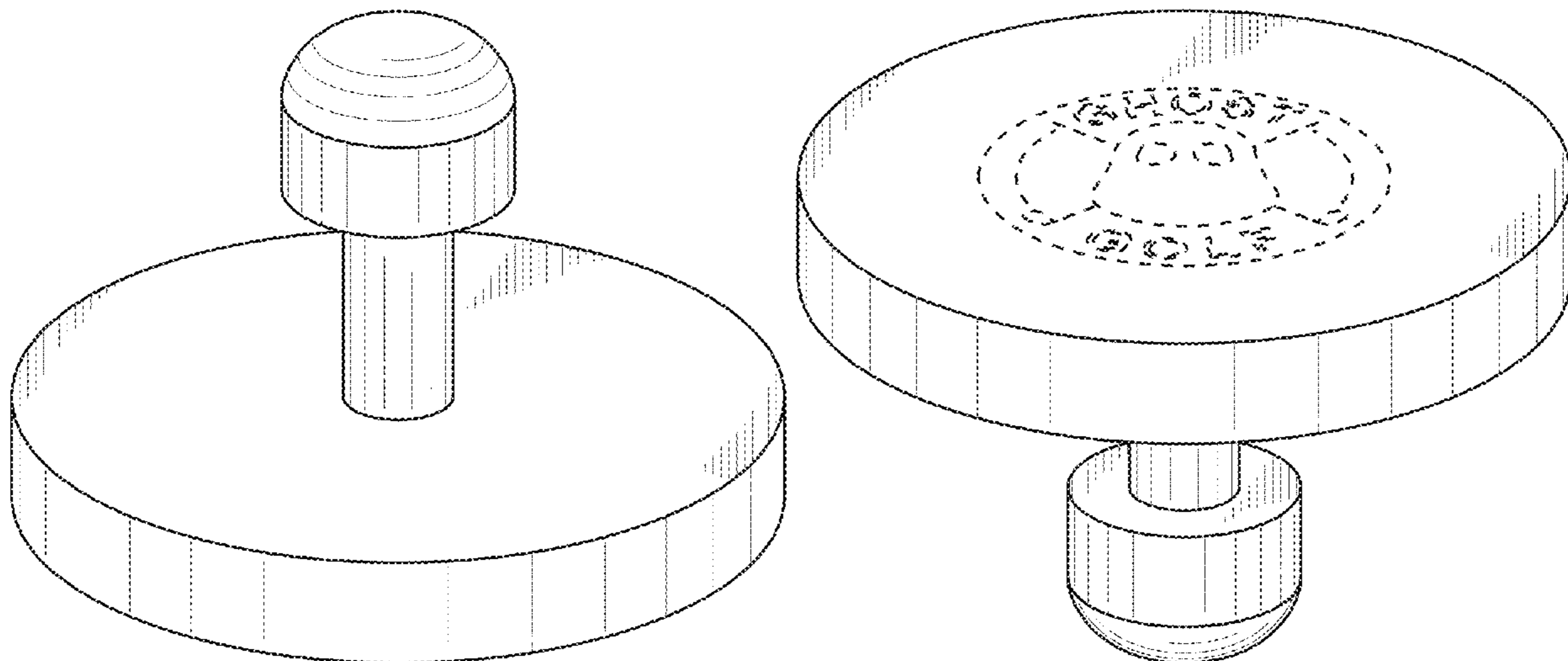
(57) **CLAIM**

The ornamental design for golf ball marker, as shown and described.

DESCRIPTION

FIG. 1 is a bottom perspective view of a golf ball marker in accordance with the new design;
FIG. 2 is a top perspective view thereof;
FIG. 3 is a front view thereof;
FIG. 4 is a rear view thereof;
FIG. 5 is a top view thereof; and,
FIG. 6 is a bottom view thereof.
The broken lines shown in FIGS. 1-6 are directed to environment and are for illustrative purposes only; the broken lines form no part of the claimed design.

1 Claim, 3 Drawing Sheets



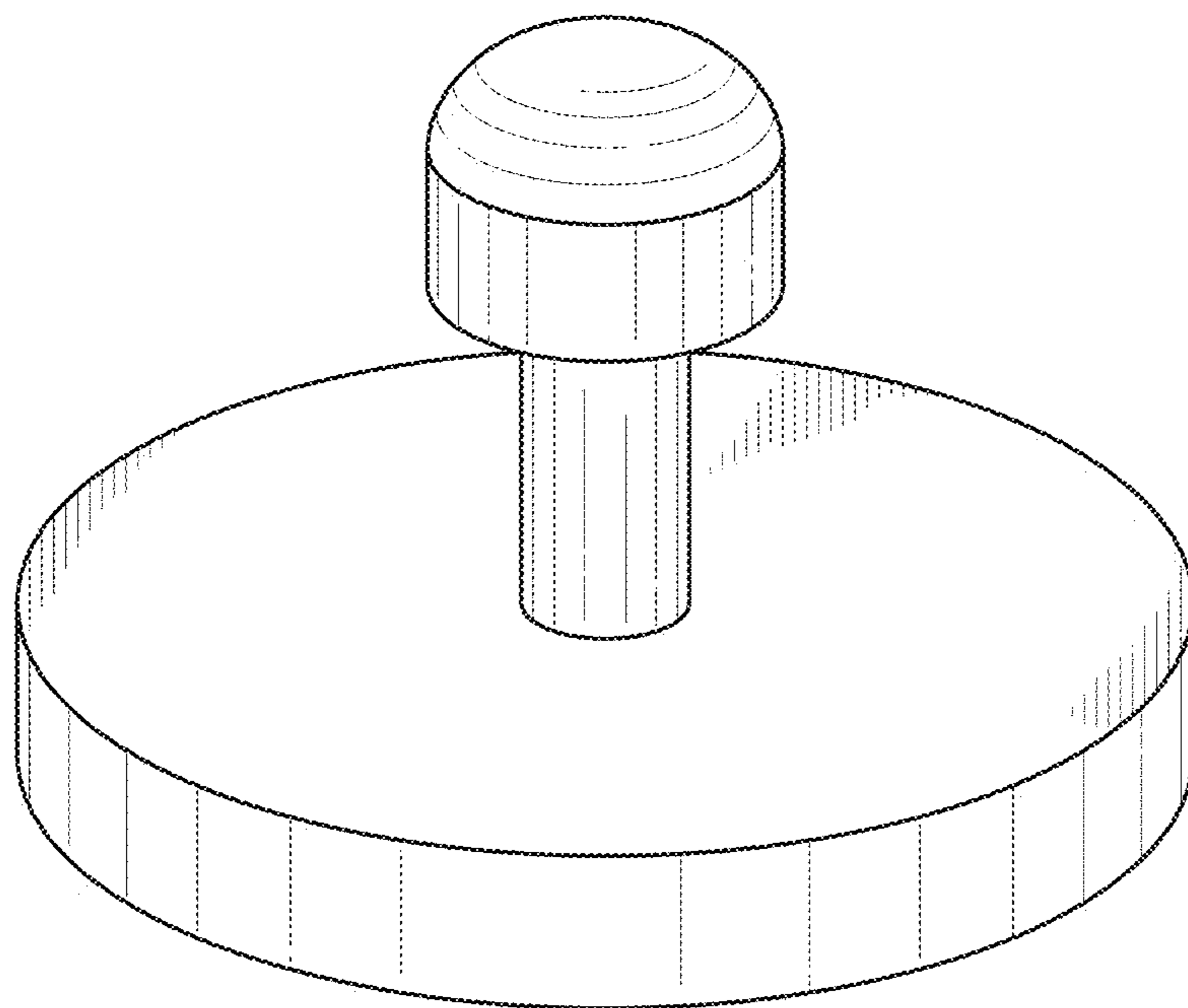


FIG. 1

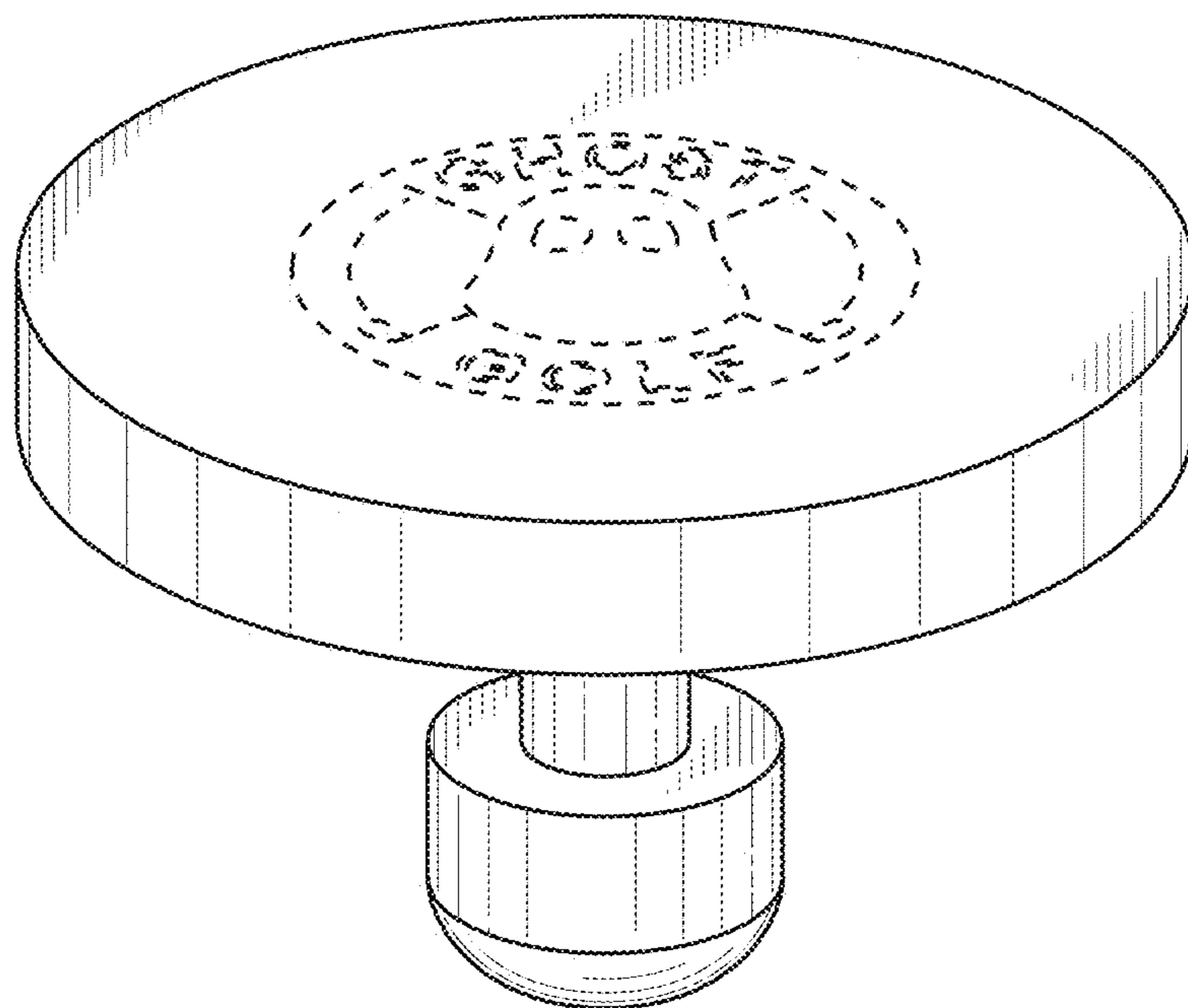


FIG. 2

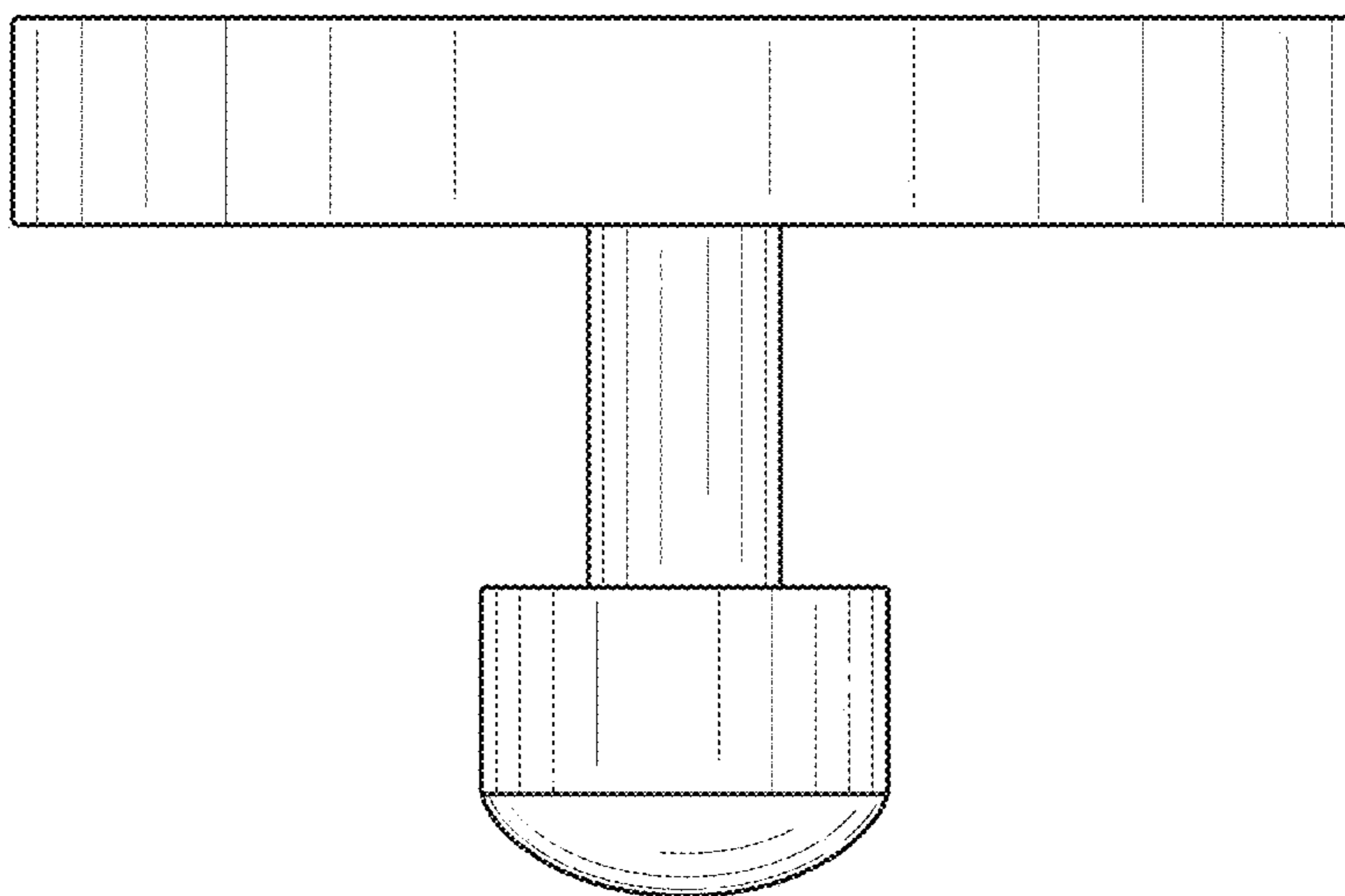


FIG. 3

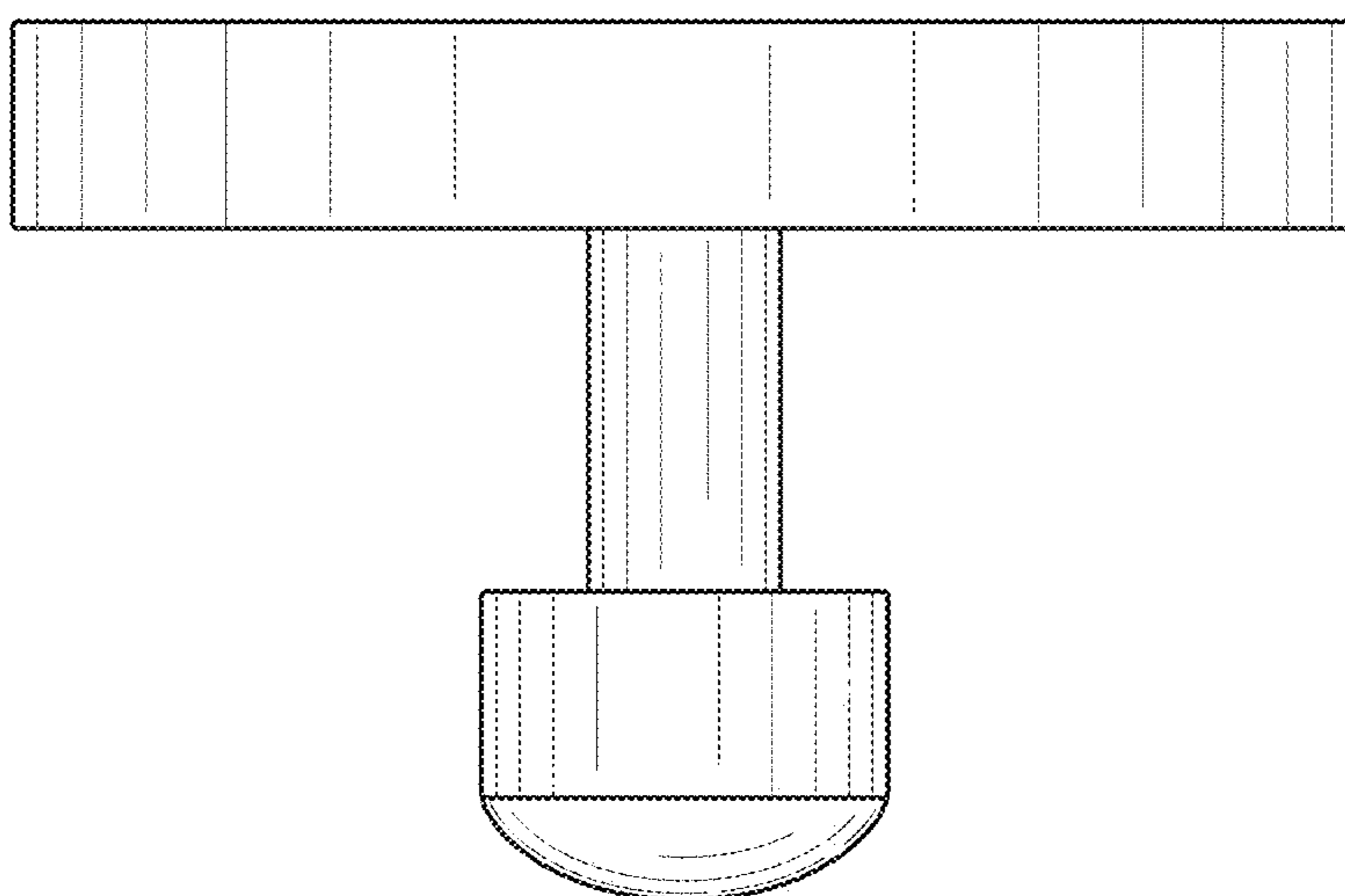


FIG. 4

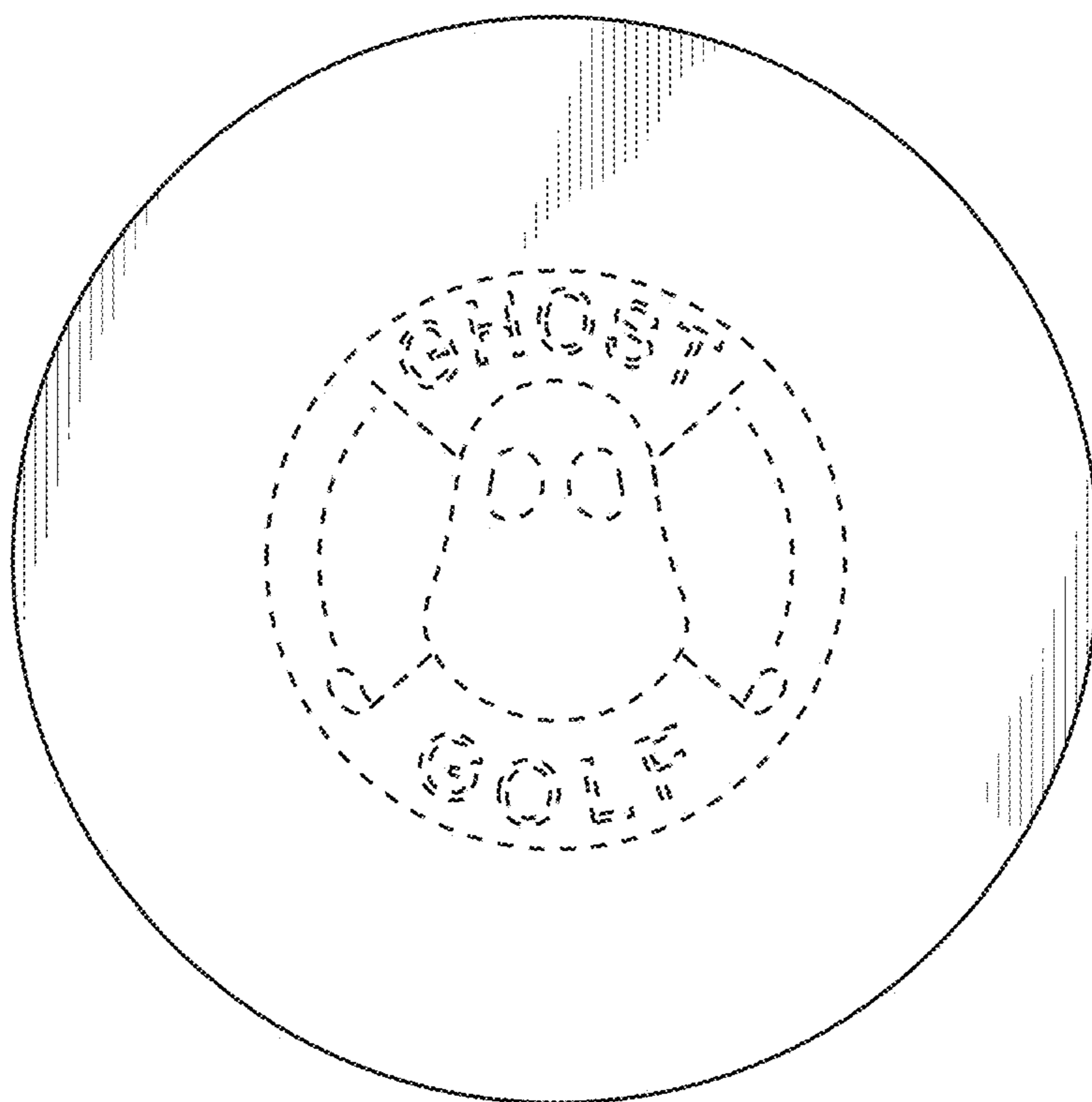


FIG. 5

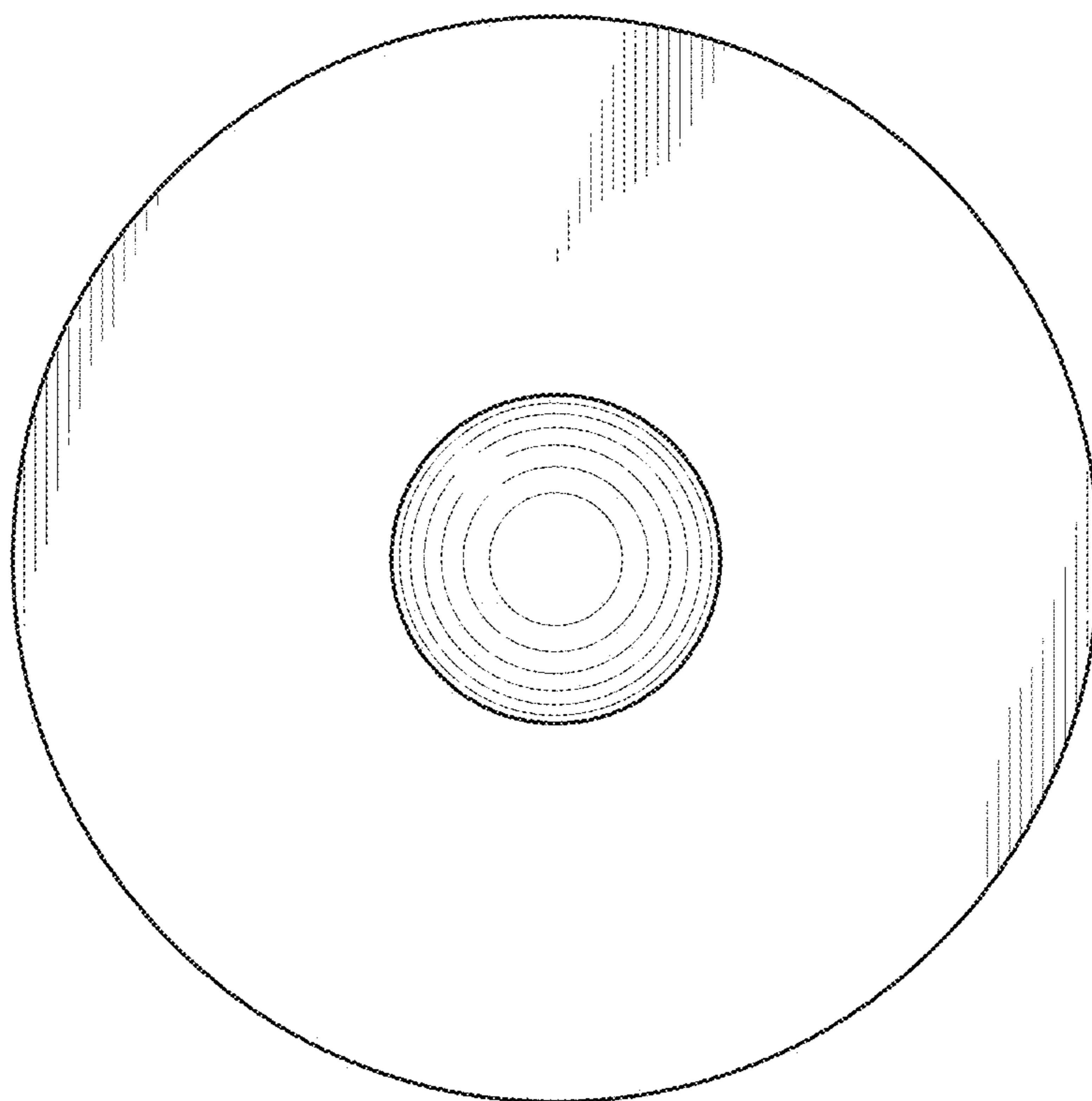


FIG. 6