



US00D968544S

(12) **United States Design Patent** (10) **Patent No.:** **US D968,544 S**
Parsons et al. (45) **Date of Patent:** **** Nov. 1, 2022**

(54) **GOLF CLUB HEAD**

OTHER PUBLICATIONS

(71) Applicant: **PARSONS XTREME GOLF, LLC**,
Scottsdale, AZ (US)

Pxg driver google search; google search; Aug. 9, 2022.*

(Continued)

(72) Inventors: **Robert R. Parsons**, Scottsdale, AZ
(US); **Bradley D. Schweigert**, Cave
Creek, AZ (US); **Michael R. Nicolette**,
Scottsdale, AZ (US)

Primary Examiner — Mitchell I. Siegel

(57) **CLAIM**

The ornamental design for a golf club head, as shown and
described.

(73) Assignee: **PARSONS XTREME GOLF, LLC**,
Scottsdale, AZ (US)

DESCRIPTION

(**) Term: **15 Years**

FIG. 1 is a top perspective view of a golf club head
according to a first embodiment;

(21) Appl. No.: **29/782,455**

FIG. 2 is a bottom perspective view of the golf club head of
FIG. 1;

(22) Filed: **May 6, 2021**

FIG. 3 is a front elevational view of the golf club head of
FIG. 1;

Related U.S. Application Data

(60) Division of application No. 29/703,103, filed on Aug.
23, 2019, now Pat. No. Des. 921,787, which is a
continuation-in-part of application No. 29/683,497,
filed on Mar. 13, 2019, now abandoned.

FIG. 4 is a rear elevational view of the golf club head of FIG.
1;

(51) **LOC (13) Cl.** **21-02**

FIG. 5 is a top view of the golf club head of FIG. 1;

(52) **U.S. Cl.**

USPC **D21/759**

FIG. 6 is a bottom view of the golf club head of FIG. 1;

(58) **Field of Classification Search**

USPC D21/733, 752, 759

CPC A63B 53/00; A63B 53/04; A63B 53/0466;

A63B 2053/002; A63B 2053/0445; A63B

(Continued)

FIG. 7 is a left side view of the golf club head of FIG. 1;

FIG. 8 is a right side view of the golf club head of FIG. 1;

FIG. 9 is a top perspective view of a golf club head
according to a second embodiment;

FIG. 10 is a bottom perspective view of the golf club head
of FIG. 9;

FIG. 11 is a front elevational view of the golf club head of
FIG. 9;

FIG. 12 is a rear elevational view of the golf club head of
FIG. 9;

FIG. 13 is a top view of the golf club head of FIG. 9;

FIG. 14 is a bottom view of the golf club head of FIG. 9;

FIG. 15 is a left side view of the golf club head of FIG. 9;
and,
FIG. 16 is a right side view of the golf club head of FIG. 9.
The broken lines shown on the drawings form no part of the
claimed design.

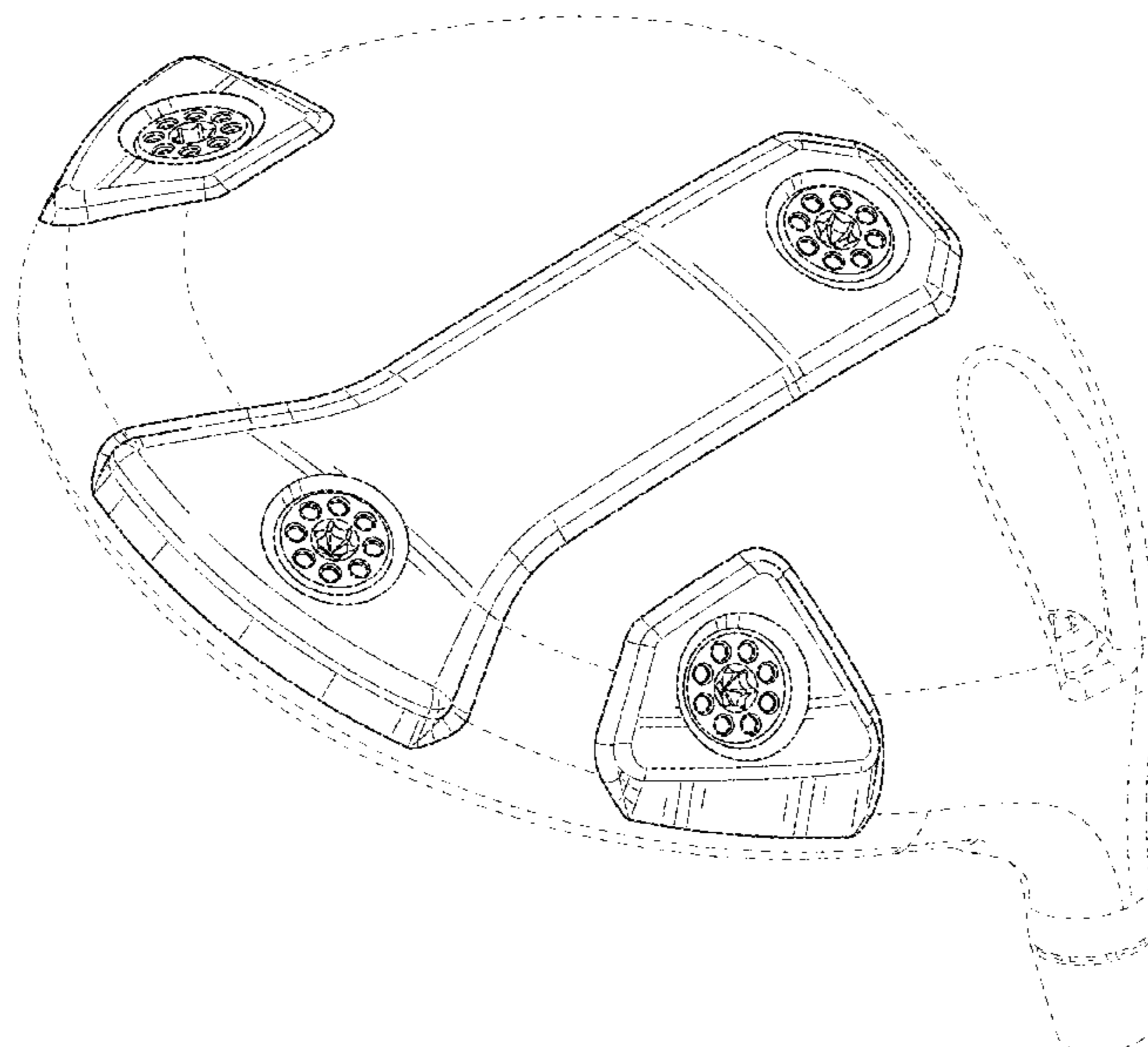
(56) **References Cited**

U.S. PATENT DOCUMENTS

1,133,129 A 3/1915 Govan
1,269,745 A 6/1918 Robertson
1,306,029 A 6/1919 Robertson

(Continued)

1 Claim, 14 Drawing Sheets



(58) **Field of Classification Search**
 CPC . 2053/0433; A63B 60/00; A63B 60/46; A63B
 2053/0491; A63B 2053/0437
 See application file for complete search history.

(56) **References Cited**

U.S. PATENT DOCUMENTS

D55,867 S 7/1920 Matters
 1,509,429 A * 9/1924 Hillerich A63B 53/0466
 473/342
 1,534,600 A * 4/1925 Mattern A63B 53/08
 473/337
 1,538,312 A * 5/1925 Beat A63B 53/04
 473/337
 1,543,691 A * 6/1925 Beat A63B 53/0466
 473/342
 1,774,590 A * 9/1930 Buhrke A63B 53/04
 473/328
 D94,549 S * 2/1935 Jansky D21/752
 D94,550 S * 2/1935 Jansky D21/752
 D138,437 S * 8/1944 Link D21/752
 D138,438 S * 8/1944 Link D21/752
 D138,439 S * 8/1944 Link D21/752
 D138,441 S * 8/1944 Link D21/752
 D138,442 S * 8/1944 Link D21/752
 D164,469 S 9/1951 Behrendt
 3,020,048 A 2/1962 Carroll
 D203,936 S 3/1966 Long
 D215,101 S 9/1969 Sabat
 3,556,553 A 1/1971 Kolbe
 3,652,094 A 3/1972 Glover
 D229,431 S * 11/1973 Baker D21/752
 D234,609 S * 3/1975 Raymont D21/752
 D234,610 S * 3/1975 Raymont D21/752
 D234,963 S 4/1975 Hirata
 D239,550 S 4/1976 Timbrook
 D240,054 S 5/1976 Meissler
 D240,748 S 7/1976 Bock et al.
 D241,956 S * 10/1976 Timbrook D21/752
 4,085,934 A 4/1978 Churchward
 D253,778 S * 12/1979 Madison D21/752
 D261,167 S 10/1981 Swanson
 4,332,388 A 6/1982 Crow
 D285,954 S * 9/1986 Hasegawa D21/752
 D294,617 S 3/1988 Perkins
 4,754,977 A 7/1988 Sahm
 4,824,116 A 4/1989 Nagamoto et al.
 D307,783 S 5/1990 Inuma
 D310,254 S * 8/1990 Take D21/752
 4,988,104 A 1/1991 Shiotani et al.
 D326,885 S 6/1992 Paul
 5,158,296 A 10/1992 Lee
 5,176,384 A 1/1993 Sata et al.
 5,213,328 A 5/1993 Long et al.
 5,213,329 A 5/1993 Okumoto et al.
 D336,672 S 6/1993 Gorman
 D336,935 S 6/1993 York et al.
 D338,935 S 8/1993 Antonious
 D344,561 S 2/1994 Gorman
 D351,883 S * 10/1994 Solheim D21/752
 D353,862 S 12/1994 Saito
 D357,520 S 4/1995 Helmstetter et al.
 5,419,560 A 5/1995 Bamber
 5,425,535 A 6/1995 Gee
 D361,358 S 8/1995 Simmons
 5,447,311 A 9/1995 Viollaz et al.
 5,451,056 A 9/1995 Manning
 D362,884 S 10/1995 Blough et al.
 D362,885 S 10/1995 Blough et al.
 D362,887 S 10/1995 Blough et al.
 5,518,243 A * 5/1996 Redman A63B 60/00
 473/334
 D370,514 S 6/1996 Blough et al.
 D371,816 S 7/1996 Yoshioka
 5,540,437 A 7/1996 Bamber
 D378,111 S * 2/1997 Parente D21/752

5,637,045 A 6/1997 Igarashi
 D384,120 S * 9/1997 De La Cruz D21/752
 5,669,830 A 9/1997 Bamber
 D389,541 S 1/1998 Huan-Chiang
 D395,476 S 6/1998 Pond et al.
 5,766,091 A 6/1998 Humphrey et al.
 5,766,092 A 6/1998 Mimeur et al.
 5,788,584 A * 8/1998 Parente A63B 60/00
 473/290
 D399,277 S 10/1998 Ezaki
 5,827,132 A 10/1998 Bamber
 D400,625 S 11/1998 Kubica et al.
 D400,627 S 11/1998 Kubica et al.
 D405,489 S 2/1999 Kubica et al.
 D405,492 S 2/1999 Kubica et al.
 D408,485 S 4/1999 Takahashi et al.
 5,899,821 A 5/1999 Hsu et al.
 5,935,016 A 8/1999 Antonious
 D414,535 S 9/1999 Mertens
 D421,080 S 2/2000 Chen
 D426,276 S 6/2000 Besnard et al.
 6,077,171 A 6/2000 Yoneyama
 D442,659 S 5/2001 Kubica et al.
 D443,008 S 5/2001 Kubica et al.
 D444,830 S 7/2001 Kubica et al.
 D445,862 S 7/2001 Ford
 6,290,609 B1 9/2001 Takeda
 D448,824 S 10/2001 Koizumi et al.
 D449,866 S 10/2001 Miller
 D457,211 S 5/2002 Bakke
 D469,833 S 2/2003 Roberts et al.
 D473,604 S 4/2003 Antonious
 D473,605 S 4/2003 Petersen et al.
 D475,107 S 5/2003 Madore
 D476,048 S 6/2003 Cleveland et al.
 D478,140 S 8/2003 Burrows
 D478,949 S 8/2003 DeLaCruz
 D481,087 S 10/2003 Antonious
 6,638,182 B2 10/2003 Kosmatka
 6,695,714 B1 2/2004 Bliss et al.
 6,702,693 B2 3/2004 Bamber
 6,773,360 B2 8/2004 Willett et al.
 6,780,123 B2 8/2004 Hasebe
 D497,963 S 11/2004 Toulon et al.
 6,811,496 B2 11/2004 Wahl et al.
 D499,779 S 12/2004 Mahaffey et al.
 D502,520 S * 3/2005 Dogan D21/759
 D502,975 S 3/2005 Schweigert et al.
 D503,204 S 3/2005 Nicolette et al.
 D507,320 S 7/2005 Roberts et al.
 D508,545 S 8/2005 Roberts et al.
 D508,969 S 8/2005 Hasebe
 6,923,733 B2 8/2005 Chen
 6,939,247 B1 9/2005 Schweigert et al.
 D513,051 S 12/2005 Barez et al.
 D514,179 S 1/2006 Chen et al.
 D514,183 S 1/2006 Schweigert et al.
 D514,185 S 1/2006 Barez et al.
 D515,642 S 2/2006 Antonious
 D516,650 S 3/2006 Wolfe et al.
 D518,863 S 4/2006 Motoyoshi et al.
 D520,585 S 5/2006 Hasebe
 D520,586 S 5/2006 Bingman
 D522,077 S 5/2006 Schweigert et al.
 D522,601 S 6/2006 Schweigert et al.
 D523,104 S 6/2006 Hasebe
 D523,498 S 6/2006 Chen et al.
 D523,501 S 6/2006 Nicolette et al.
 D523,917 S 6/2006 Wolfe et al.
 D524,889 S 7/2006 Yu et al.
 D526,372 S 8/2006 Kohno
 D526,694 S 8/2006 Schweigert et al.
 7,121,956 B2 10/2006 Lo
 7,128,663 B2 10/2006 Bamber
 D534,595 S 1/2007 Hasebe
 D534,599 S 1/2007 Barez et al.
 7,156,751 B2 1/2007 Wahl et al.
 7,166,040 B2 1/2007 Hoffman et al.
 D536,401 S * 2/2007 Kawami D21/759

(56)

References Cited

U.S. PATENT DOCUMENTS

| | | | | | |
|--------------|---------|----------------------|----------------|---------|--------------------------------------|
| D536,402 S | 2/2007 | Kawami | D618,746 S | 6/2010 | Jertson et al. |
| D536,403 S | 2/2007 | Kawami | D618,747 S | 6/2010 | Schweigert et al. |
| D537,495 S | 2/2007 | Schweigert et al. | D618,753 S | 6/2010 | Jertson et al. |
| 7,182,698 B2 | 2/2007 | Tseng | D618,754 S | 6/2010 | Schweigert et al. |
| D538,363 S | 3/2007 | Schweigert et al. | 7,744,484 B1 | 6/2010 | Chao |
| D538,371 S * | 3/2007 | Kawami D21/759 | D621,893 S | 8/2010 | Nicolette et al. |
| 7,186,190 B1 | 3/2007 | Beach et al. | 7,798,203 B2 | 9/2010 | Schweigert et al. |
| 7,207,900 B2 | 4/2007 | Nicolette et al. | 7,798,917 B2 | 9/2010 | Nguyen et al. |
| D543,601 S | 5/2007 | Kawami | 7,815,521 B2 | 10/2010 | Ban et al. |
| 7,223,180 B2 | 5/2007 | Willett et al. | 7,846,040 B2 | 12/2010 | Ban |
| D552,198 S | 10/2007 | Schweiger et al. | 7,846,041 B2 | 12/2010 | Beach et al. |
| D555,219 S | 11/2007 | Lin | D633,967 S | 3/2011 | Carlyle et al. |
| D556,288 S | 11/2007 | Robinson et al. | D635,626 S | 4/2011 | Nicolette |
| D557,363 S | 12/2007 | Jertson et al. | 7,927,229 B2 | 4/2011 | Jertson et al. |
| D558,287 S | 12/2007 | Jertson et al. | D638,893 S | 5/2011 | Schweigert et al. |
| 7,303,486 B2 | 12/2007 | Imamoto | D638,896 S | 5/2011 | Schweigert et al. |
| D559,932 S | 1/2008 | Belmont | 7,938,738 B2 | 5/2011 | Roach |
| D561,284 S | 2/2008 | Nagai et al. | 7,963,861 B2 | 6/2011 | Beach et al. |
| D562,421 S | 2/2008 | Jertson et al. | D643,490 S | 8/2011 | Wada et al. |
| D563,498 S | 3/2008 | Jertson et al. | 8,012,038 B1 | 9/2011 | Beach et al. |
| D564,054 S | 3/2008 | Jertson et al. | D647,585 S | 10/2011 | Jertson et al. |
| D564,055 S | 3/2008 | Jertson et al. | 8,062,150 B2 | 11/2011 | Gilbert et al. |
| 7,338,388 B2 | 3/2008 | Schweigert et al. | 8,088,025 B2 | 1/2012 | Wahl et al. |
| 7,347,794 B2 | 3/2008 | Schweigert | 8,092,319 B1 | 1/2012 | Cackett et al. |
| D567,317 S | 4/2008 | Jertson et al. | 8,105,180 B1 | 1/2012 | Cackett et al. |
| 7,351,164 B2 | 4/2008 | Schweigert et al. | D658,248 S | 4/2012 | Nunez et al. |
| D569,933 S | 5/2008 | Jertson et al. | D661,751 S | 6/2012 | Nicolette et al. |
| D569,934 S | 5/2008 | Jertson et al. | D661,756 S | 6/2012 | Nicolette et al. |
| D569,935 S | 5/2008 | Schweigert et al. | 8,221,262 B1 | 7/2012 | Cackett et al. |
| D569,936 S | 5/2008 | Schweigert et al. | 8,246,467 B2 | 8/2012 | Huang et al. |
| D569,942 S | 5/2008 | Jertson et al. | 8,257,196 B1 * | 9/2012 | Abbott A63B 53/0466 473/335 |
| D570,937 S | 6/2008 | Schweigert et al. | 8,257,197 B2 | 9/2012 | Schweigert |
| D570,938 S | 6/2008 | Jertson et al. | 8,262,506 B2 * | 9/2012 | Watson A63B 60/00 473/334 |
| 7,396,299 B2 | 7/2008 | Nicolette et al. | 8,328,662 B2 | 12/2012 | Nakamura et al. |
| 7,407,447 B2 | 8/2008 | Beach et al. | D673,630 S | 1/2013 | Schweigert |
| 7,410,425 B2 | 8/2008 | Willett et al. | D673,632 S | 1/2013 | Schweigert et al. |
| 7,410,426 B2 | 8/2008 | Willett et al. | 8,371,957 B2 | 2/2013 | Schweigert et al. |
| 7,419,441 B2 | 9/2008 | Hoffman et al. | 8,376,878 B2 | 2/2013 | Bennett et al. |
| D579,507 S | 10/2008 | Llewellyn et al. | D680,179 S | 4/2013 | Solheim et al. |
| 7,448,963 B2 | 11/2008 | Beach et al. | D681,142 S | 4/2013 | Fossum et al. |
| 7,448,964 B2 | 11/2008 | Schweigert et al. | 8,414,422 B2 | 4/2013 | Peralta et al. |
| D584,370 S | 1/2009 | Cleveland et al. | 8,485,919 B2 * | 7/2013 | Rice A63B 53/0466 473/334 |
| D584,782 S * | 1/2009 | Barez D21/759 | 8,506,420 B2 | 8/2013 | Hocknell et al. |
| D584,783 S * | 1/2009 | Barez D21/759 | D689,156 S | 9/2013 | Stokke et al. |
| D584,784 S * | 1/2009 | Barez D21/759 | D691,230 S | 10/2013 | Chen et al. |
| 7,530,904 B2 | 5/2009 | Beach et al. | 8,545,343 B2 | 10/2013 | Boyd et al. |
| D594,518 S | 6/2009 | Schweigert | 8,562,457 B2 | 10/2013 | Beach et al. |
| D594,520 S | 6/2009 | Schweigert et al. | 8,574,094 B2 | 11/2013 | Nicolette et al. |
| D594,521 S | 6/2009 | Jertson et al. | 8,608,587 B2 | 12/2013 | Henrikson et al. |
| D594,919 S | 6/2009 | Schweigert et al. | 8,628,431 B2 | 1/2014 | Schweigert et al. |
| 7,540,811 B2 | 6/2009 | Beach et al. | 8,657,700 B2 | 2/2014 | Nicolette et al. |
| D597,620 S | 8/2009 | Taylor et al. | 8,663,026 B2 | 3/2014 | Blowers et al. |
| 7,568,985 B2 | 8/2009 | Beach et al. | 8,690,710 B2 | 4/2014 | Nicolette et al. |
| 7,578,753 B2 | 8/2009 | Beach et al. | D707,316 S | 6/2014 | Aguayo et al. |
| D600,297 S | 9/2009 | Jertson et al. | D707,317 S | 6/2014 | Aguayo et al. |
| 7,584,531 B2 | 9/2009 | Schweigert et al. | 8,753,230 B2 | 6/2014 | Stokke et al. |
| 7,588,502 B2 | 9/2009 | Nishino | 8,777,778 B2 | 7/2014 | Solheim et al. |
| 7,591,738 B2 | 9/2009 | Beach et al. | 8,784,232 B2 | 7/2014 | Jertson et al. |
| D603,472 S | 11/2009 | Schweigert et al. | 8,790,196 B2 | 7/2014 | Solheim et al. |
| D604,783 S | 11/2009 | Nicolette et al. | 8,808,108 B2 | 8/2014 | Schweigert |
| 7,611,424 B2 | 11/2009 | Nagai et al. | D712,989 S | 9/2014 | Gillig |
| 7,621,823 B2 | 11/2009 | Beach et al. | 8,826,512 B2 | 9/2014 | Schweigert |
| D605,715 S | 12/2009 | Barez et al. | 8,827,832 B2 | 9/2014 | Breier et al. |
| D606,605 S | 12/2009 | Wada et al. | 8,827,833 B2 | 9/2014 | Amano et al. |
| D607,070 S | 12/2009 | Wada et al. | 8,845,455 B2 | 9/2014 | Ban et al. |
| D607,071 S | 12/2009 | Wada et al. | D714,894 S * | 10/2014 | Tang D21/759 |
| 7,632,194 B2 | 12/2009 | Beach et al. | D716,387 S | 10/2014 | Aguayo et al. |
| 7,658,686 B2 | 2/2010 | Soracco | D716,388 S | 10/2014 | Aguayo et al. |
| D612,438 S | 3/2010 | Carlyle et al. | 8,858,362 B1 * | 10/2014 | Leposky A63B 60/02 473/334 |
| D612,439 S | 3/2010 | Carlyle et al. | D721,544 S | 1/2015 | Hollander |
| 7,713,142 B2 | 5/2010 | Hoffman et al. | D722,352 S | 2/2015 | Nicolette et al. |
| 7,717,804 B2 | 5/2010 | Beach et al. | D723,120 S | 2/2015 | Nicolette |
| 7,717,805 B2 | 5/2010 | Beach et al. | 8,961,336 B1 | 2/2015 | Parsons et al. |
| D617,406 S | 6/2010 | Carlyle et al. | D724,164 S * | 3/2015 | Schweigert D21/752 |
| D618,293 S | 6/2010 | Foster et al. | | | |

(56)

References Cited

U.S. PATENT DOCUMENTS

| | | | | | | | | |
|-----------------|---------|------------------|-------|-----------------------|-------------------|---------|-------------------|-----------------------------|
| 8,979,671 B1 * | 3/2015 | DeMille | | A63B 53/06 473/334 | 2005/0009632 A1 | 1/2005 | Schweigert et al. | |
| D726,265 S | 4/2015 | Nicolette | | | 2005/0014573 A1 | 1/2005 | Lee | |
| D729,892 S * | 5/2015 | Nicolette | | D21/752 | 2005/0119066 A1 | 6/2005 | Stites et al. | |
| D733,234 S * | 6/2015 | Nicolette | | D21/752 | 2005/0239569 A1 | 10/2005 | Best et al. | |
| 9,199,140 B1 * | 12/2015 | Schweigert | | A63B 60/02 | 2005/0277485 A1 | 12/2005 | Hou et al. | |
| 9,199,143 B1 | 12/2015 | Parsons et al. | | | 2006/0105856 A1 | 5/2006 | Lo | |
| D746,927 S * | 1/2016 | Parsons | | D21/752 | 2006/0111200 A1 | 5/2006 | Poynor | |
| D748,214 S | 1/2016 | Nicolette et al. | | | 2007/0032308 A1 | 2/2007 | Fagot et al. | |
| D748,749 S | 2/2016 | Nicolette et al. | | | 2007/0225084 A1 | 9/2007 | Schweigert et al. | |
| D753,251 S * | 4/2016 | Schweigert | | D21/759 | 2007/0293344 A1 | 12/2007 | Davis | |
| D755,319 S * | 5/2016 | Nicolette | | D21/759 | 2008/0004133 A1 | 1/2008 | Schweigert | |
| D756,471 S | 5/2016 | Nicolette et al. | | | 2008/0058113 A1 | 3/2008 | Nicolette et al. | |
| 9,352,197 B2 * | 5/2016 | Parsons | | A63B 53/0466 | 2008/0188322 A1 | 8/2008 | Anderson et al. | |
| D759,178 S * | 6/2016 | Nicolette | | D21/759 | 2008/0300065 A1 | 12/2008 | Schweigert | |
| D760,334 S * | 6/2016 | Schweigert | | D21/752 | 2009/0029790 A1 | 1/2009 | Nicolette et al. | |
| 9,399,158 B2 * | 7/2016 | Parsons | | A63B 53/0466 | 2009/0029795 A1 | 1/2009 | Schweigert et al. | |
| 9,421,437 B2 | 8/2016 | Parsons et al. | | | 2010/0130306 A1 | 5/2010 | Schweigert | |
| 9,427,634 B2 | 8/2016 | Parsons et al. | | | 2010/0144461 A1 | 6/2010 | Ban | |
| D765,808 S * | 9/2016 | Cardani | | D21/759 | 2010/0178999 A1 | 7/2010 | Nicolette et al. | |
| D766,391 S * | 9/2016 | Cardani | | D21/759 | 2011/0111883 A1 | 5/2011 | Cackett | |
| D767,696 S * | 9/2016 | Parsons | | D21/752 | 2011/0143858 A1 * | 6/2011 | Peralta | A63B 60/02 473/335 |
| D776,216 S * | 1/2017 | Schweigert | | D21/752 | 2011/0165963 A1 | 7/2011 | Cackett et al. | |
| D777,858 S * | 1/2017 | Schweigert | | D21/752 | 2011/0269567 A1 | 11/2011 | Ban et al. | |
| 9,555,295 B2 * | 1/2017 | Schweigert | | A63B 60/02 | 2011/0294596 A1 | 12/2011 | Ban | |
| 9,630,070 B2 * | 4/2017 | Parsons | | A63B 53/0466 | 2012/0202615 A1 * | 8/2012 | Beach | A63B 53/02 473/338 |
| D791,257 S * | 7/2017 | Oldknow | | D21/759 | 2013/0137532 A1 | 5/2013 | Deshmukh et al. | |
| D802,069 S * | 11/2017 | Parsons | | D21/752 | 2013/0225319 A1 | 8/2013 | Kato | |
| D802,070 S * | 11/2017 | Parsons | | D21/752 | 2013/0281226 A1 | 10/2013 | Ban | |
| D807,976 S * | 1/2018 | Parsons | | D21/752 | 2013/0288823 A1 | 10/2013 | Hebreo | |
| D821,514 S * | 6/2018 | Sillies | | D21/759 | 2013/0303303 A1 | 11/2013 | Ban | |
| D827,067 S | 8/2018 | Becktor et al. | | | 2013/0303304 A1 | 11/2013 | Sato | |
| D827,745 S * | 9/2018 | Schweigert | | D21/752 | 2013/0310192 A1 | 11/2013 | Wahl et al. | |
| D839,372 S * | 1/2019 | Schweigert | | D21/752 | 2014/0080621 A1 | 3/2014 | Nicolette et al. | |
| D850,551 S * | 6/2019 | Parsons | | D21/759 | 2014/0128175 A1 | 5/2014 | Jertson et al. | |
| D852,303 S * | 6/2019 | Parsons | | D21/752 | 2014/0274441 A1 | 9/2014 | Greer | |
| D852,304 S * | 6/2019 | Parsons | | D21/752 | 2014/0274451 A1 | 9/2014 | Knight et al. | |
| D852,305 S * | 6/2019 | Parsons | | D21/752 | 2015/0231454 A1 | 8/2015 | Parsons et al. | |
| D865,886 S * | 11/2019 | Parsons | | D21/752 | 2015/0231806 A1 | 8/2015 | Parsons et al. | |
| D897,462 S * | 9/2020 | Parsons | | D21/752 | 2019/0314690 A1 * | 10/2019 | Schweigert | A63B 60/006 |
| D897,463 S * | 9/2020 | Parsons | | D21/752 | 2020/0215397 A1 * | 7/2020 | Parsons | A63B 60/02 |
| D921,787 S * | 6/2021 | Parsons | | D21/752 | 2020/0230471 A1 * | 7/2020 | Parsons | A63B 53/04 |
| D923,732 S * | 6/2021 | Parsons | | D21/752 | | | | |
| D926,901 S * | 8/2021 | Parsons | | D21/752 | | | | |
| D930,773 S * | 9/2021 | Parsons | | D21/752 | | | | |
| D930,774 S * | 9/2021 | Nicolette | | D21/752 | | | | |
| D930,775 S * | 9/2021 | Nicolette | | D21/752 | | | | |
| D933,148 S * | 10/2021 | Nicolette | | D21/752 | | | | |
| D933,150 S * | 10/2021 | Kroloff | | D21/752 | | | | |
| D938,535 S * | 12/2021 | Parsons | | D21/752 | | | | |
| D940,801 S * | 1/2022 | Parsons | | D21/752 | | | | |
| D940,802 S * | 1/2022 | Parsons | | D21/752 | | | | |
| D941,412 S * | 1/2022 | Parsons | | D21/752 | | | | |
| D941,946 S * | 1/2022 | Parsons | | D21/752 | | | | |
| D952,084 S * | 5/2022 | Parsons | | D21/752 | | | | |
| D952,085 S * | 5/2022 | Parsons | | D21/752 | | | | |
| D952,086 S * | 5/2022 | Parsons | | D21/752 | | | | |
| D954,877 S * | 6/2022 | Parsons | | D21/752 | | | | |
| D954,878 S * | 6/2022 | Parsons | | D21/752 | | | | |
| 2002/0107087 A1 | 8/2002 | Fagot | | | | | | |
| 2003/0139226 A1 | 7/2003 | Cheng et al. | | | | | | |
| 2003/0176231 A1 | 9/2003 | Hasebe | | | | | | |
| 2004/0204263 A1 | 10/2004 | Fagot et al. | | | | | | |

OTHER PUBLICATIONS

pxg.com; Aug. 9, 2022.*
 Kozuchowski, Zak, "Callaway Mack Daddy 2 PM Grind Wedges" (<http://www.golfwrx.com/276203/callaway-mack-daddy-2-pm-grind-wedges/>), www.golfwrx.com, GolfWRX Holdings, LLC, published Jan. 21, 2015.
 PCT/US15/42484: International Search Report and Written Opinion dated Oct. 19, 2015 (12 Pages).
 PCT/US2015/016666: International Search Report and Written Opinion dated May 14, 2015 (8 Pages).
 PCT/US2015/042282: International Search Report and Written Opinion dated Oct. 13, 2015 (12 Pages).
 U.S. Appl. No. 29/512,313, Nicolette, "Golf Club Head," filed Dec. 18, 2018.
 Wall, Jonathan, "Details: Phil's Prototype Mack Daddy PM-Grind Wedge," (<http://www.pgatour.com/equipmentreport/2015/01/21/callaway-wedge.html>), www.pgatour.com, PGA Tour, Inc., published Jan. 21, 2015.

* cited by examiner

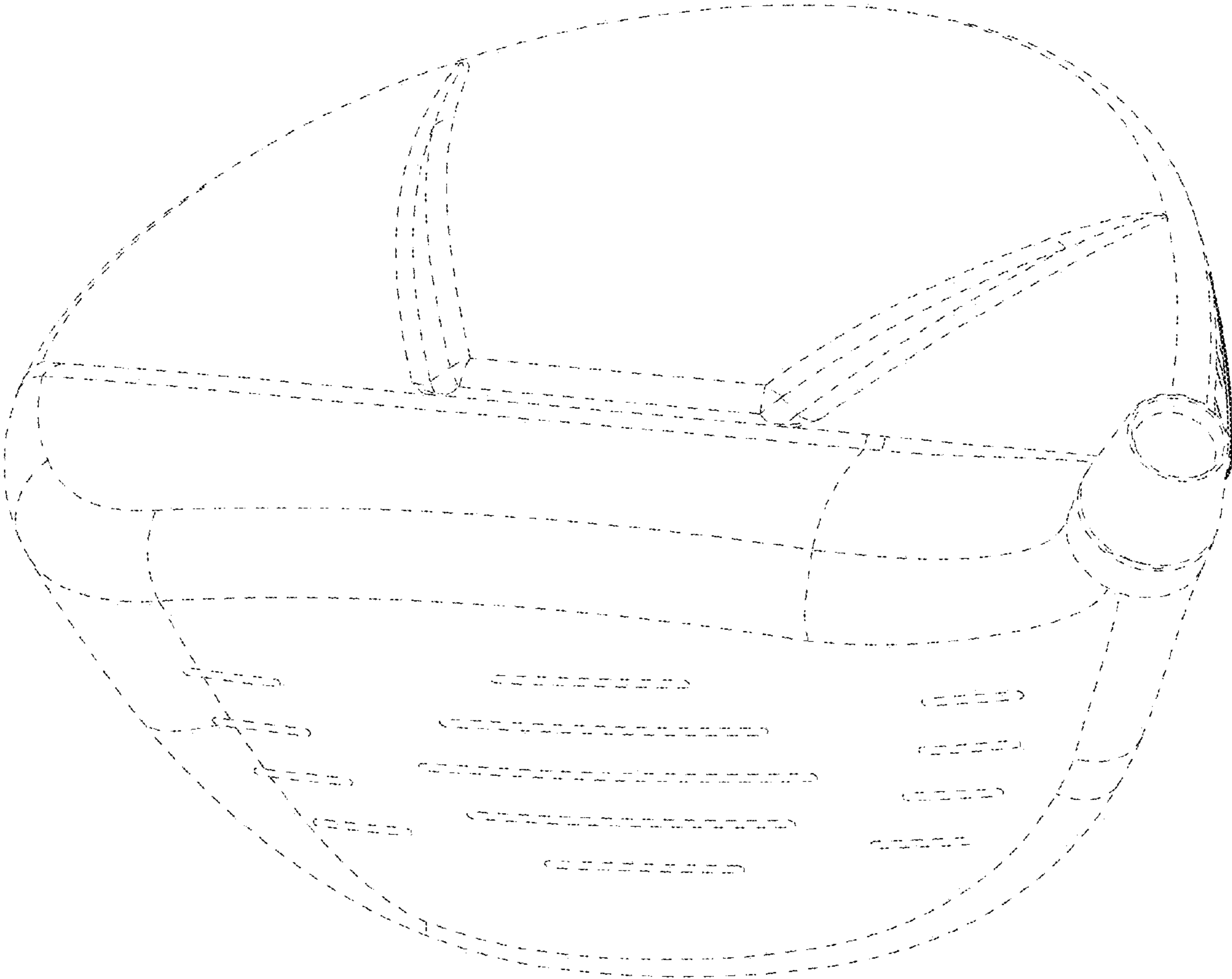


FIG. 1

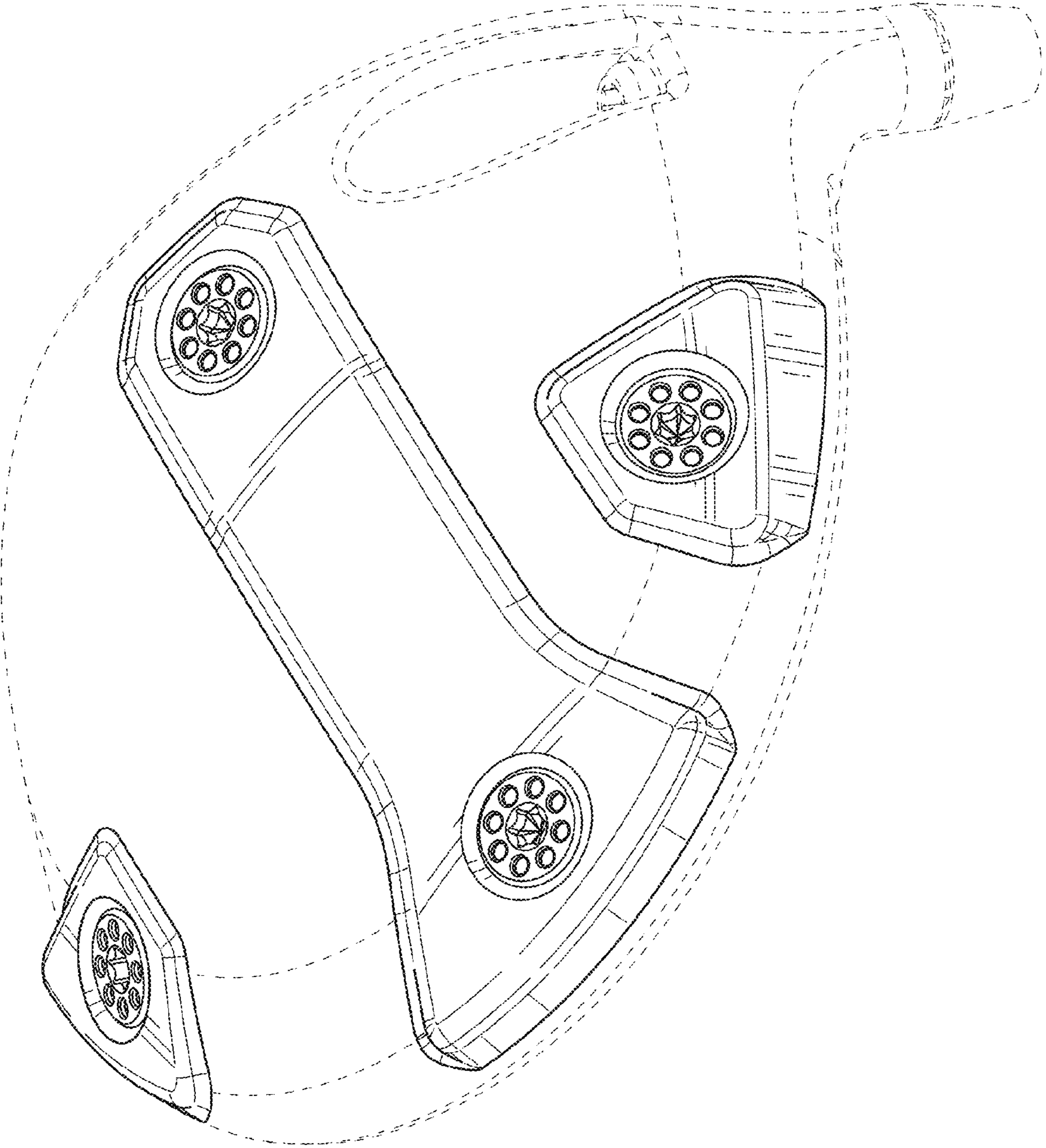


FIG. 2

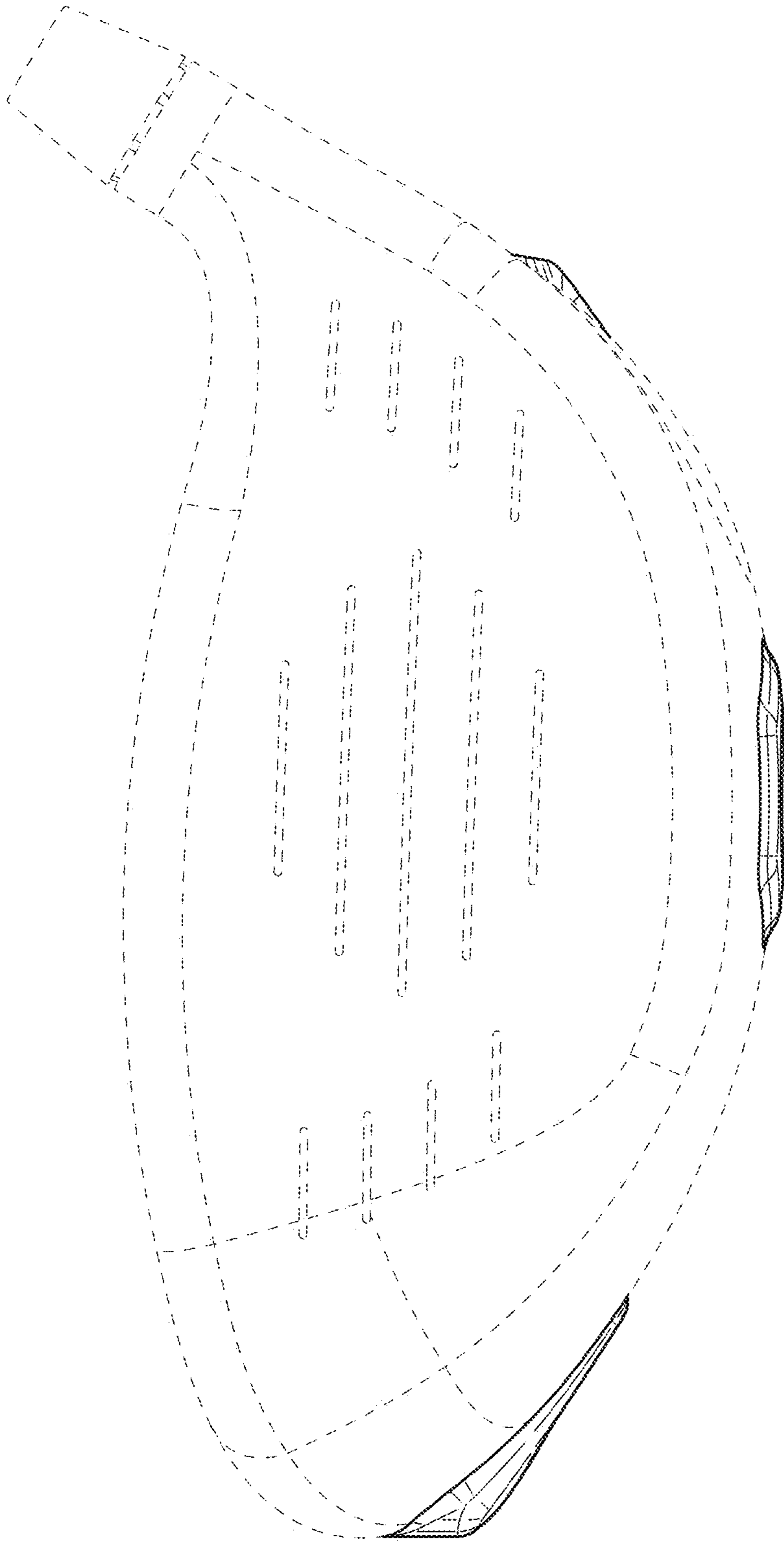


FIG. 3

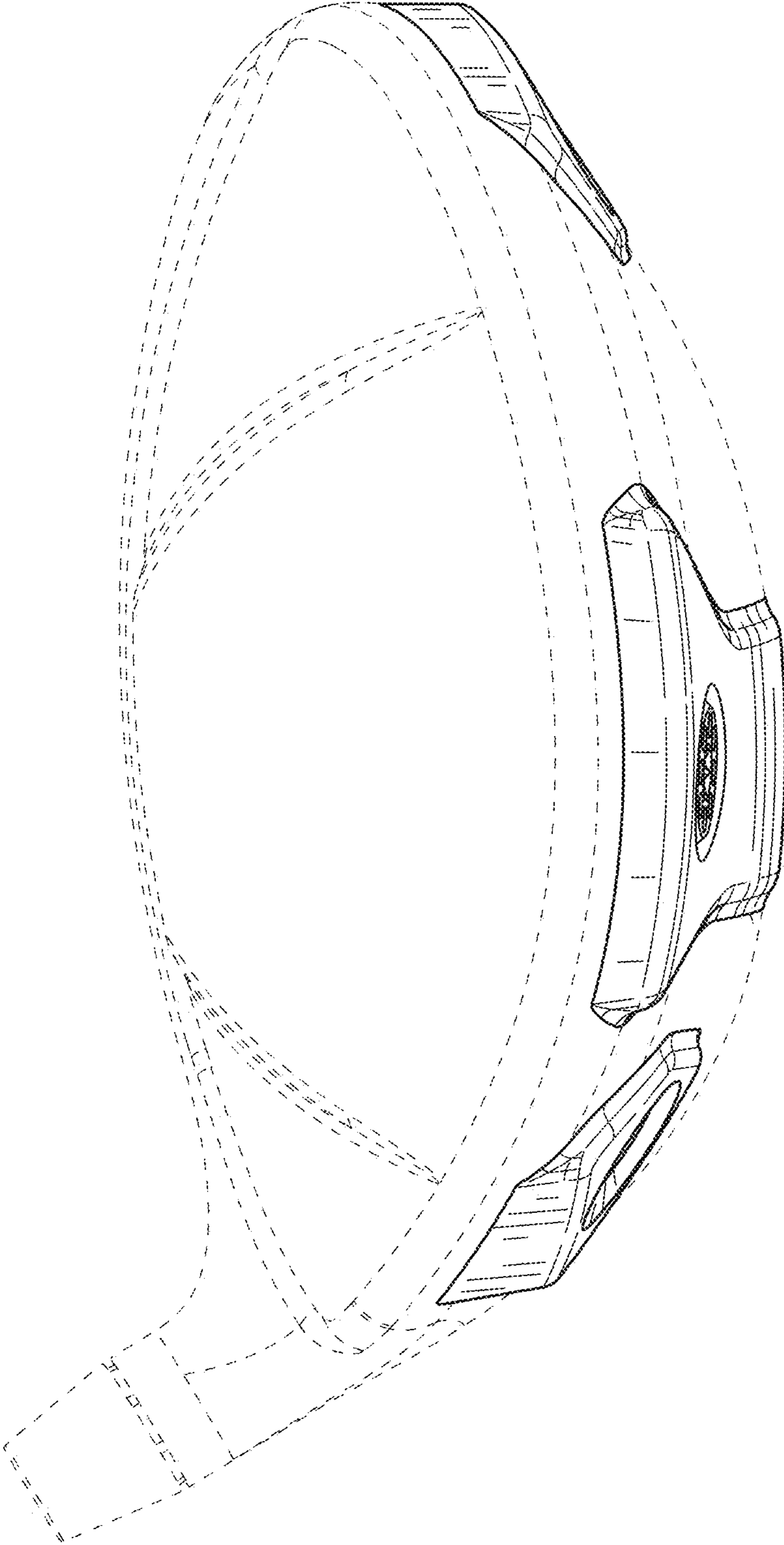


FIG. 4

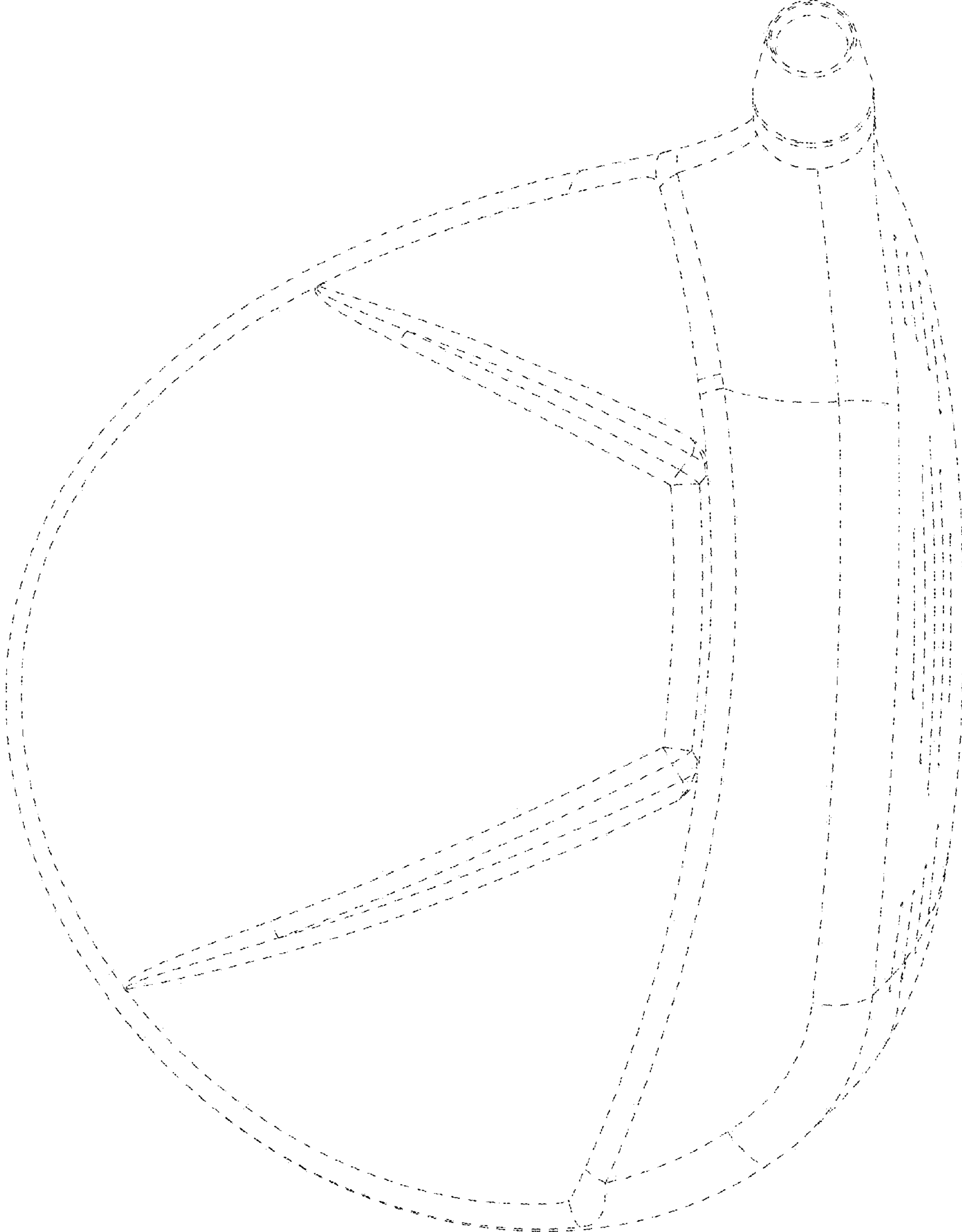


FIG. 5

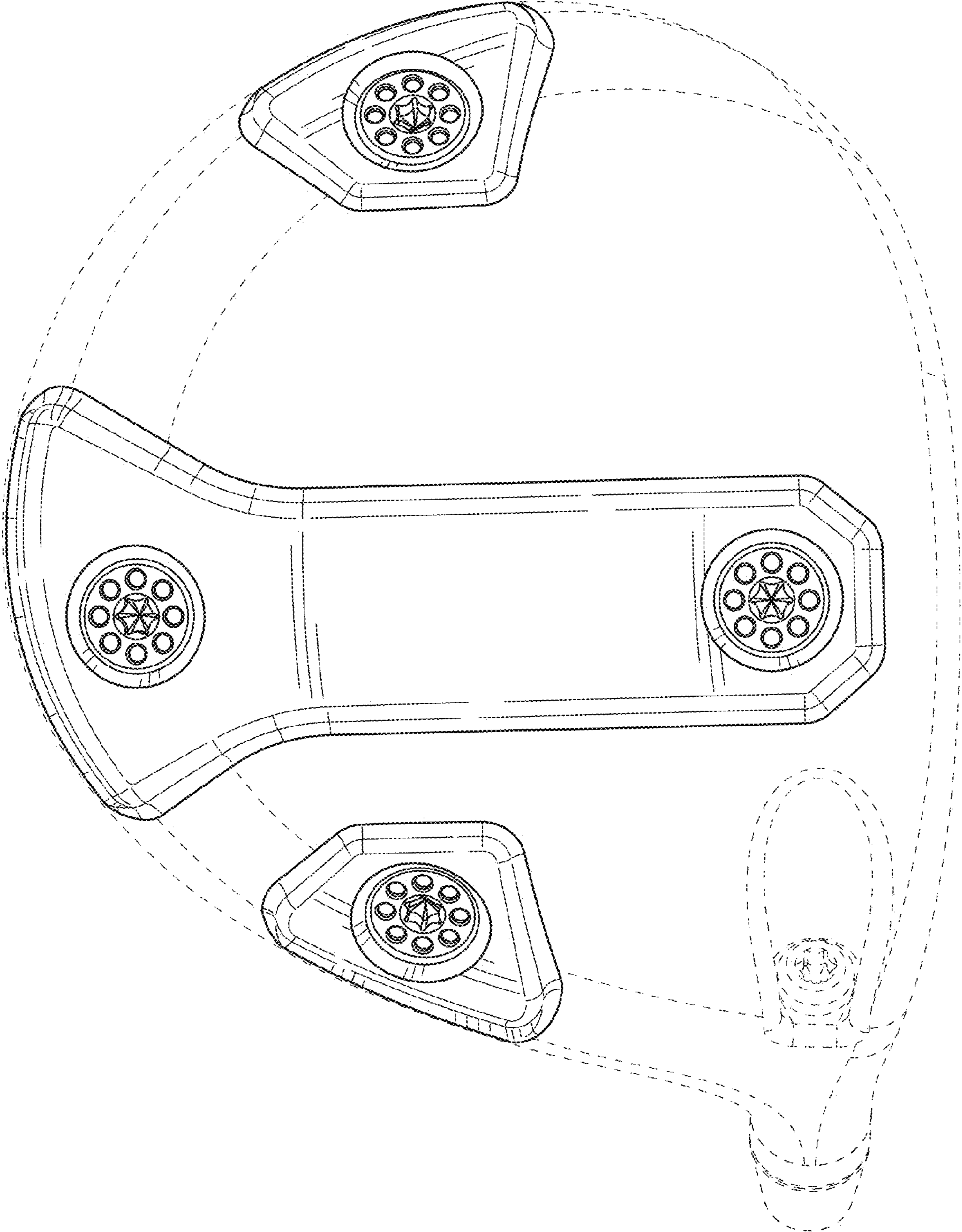


FIG. 6

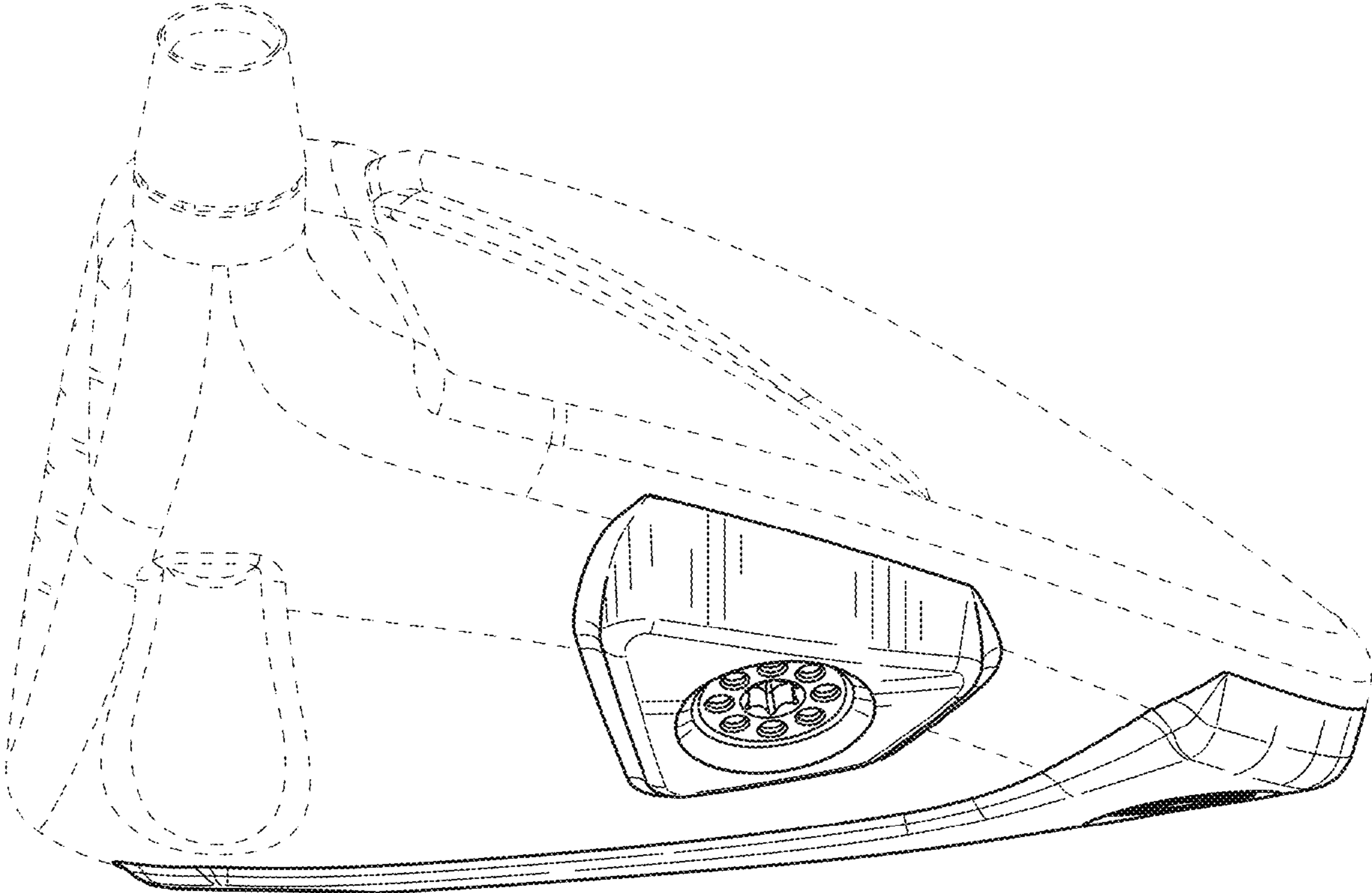


FIG. 7

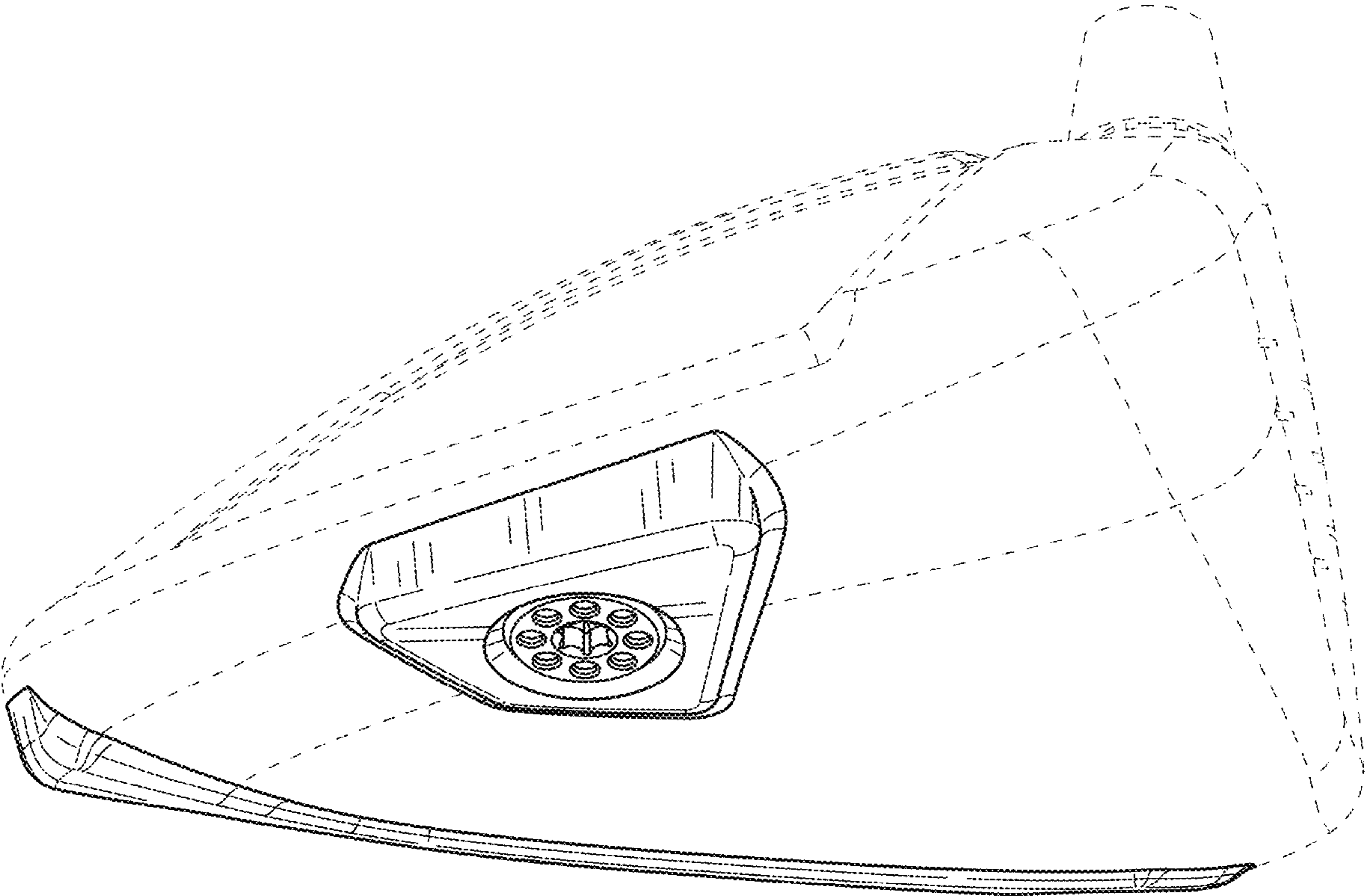


FIG. 8

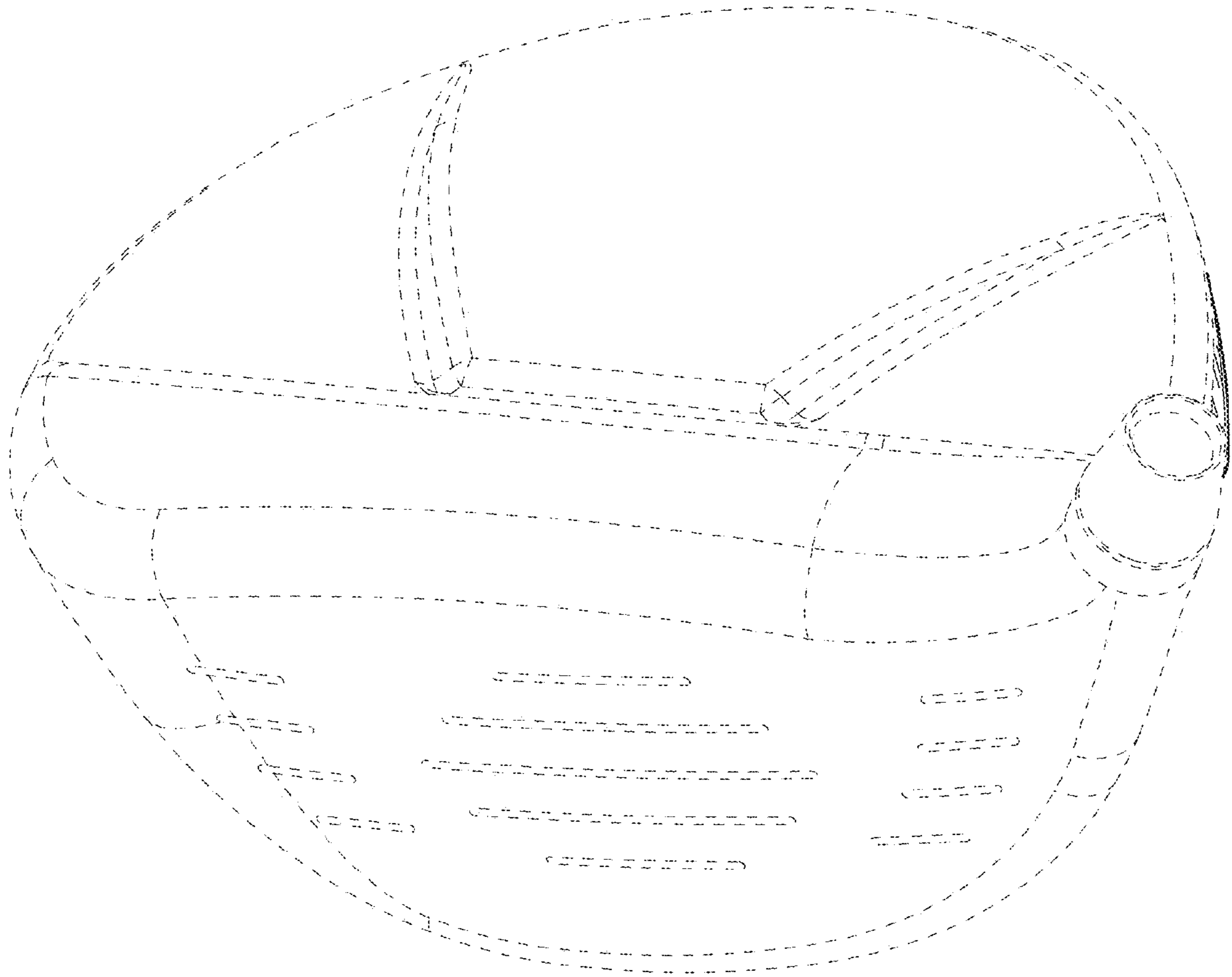


FIG. 9

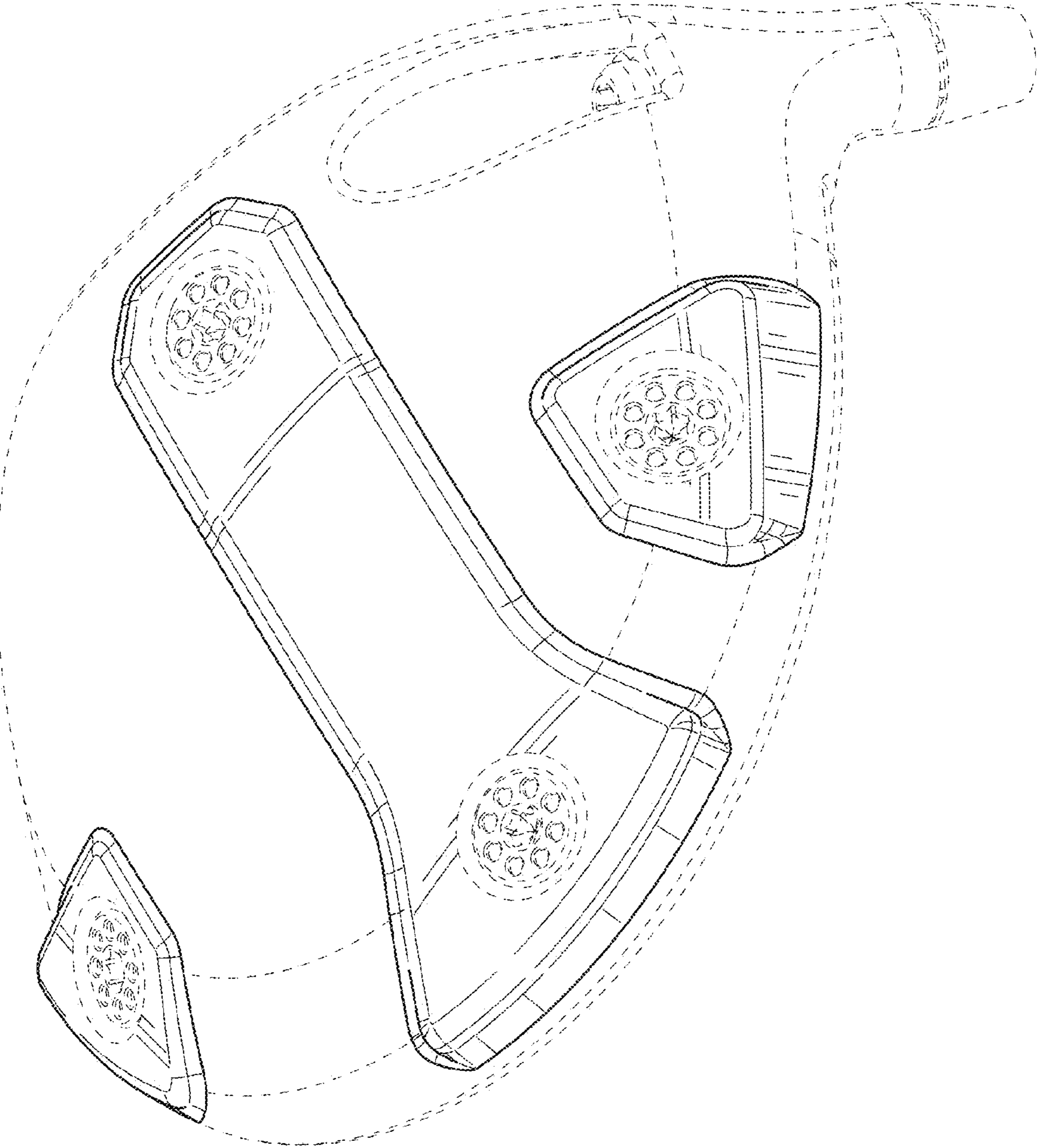


FIG. 10

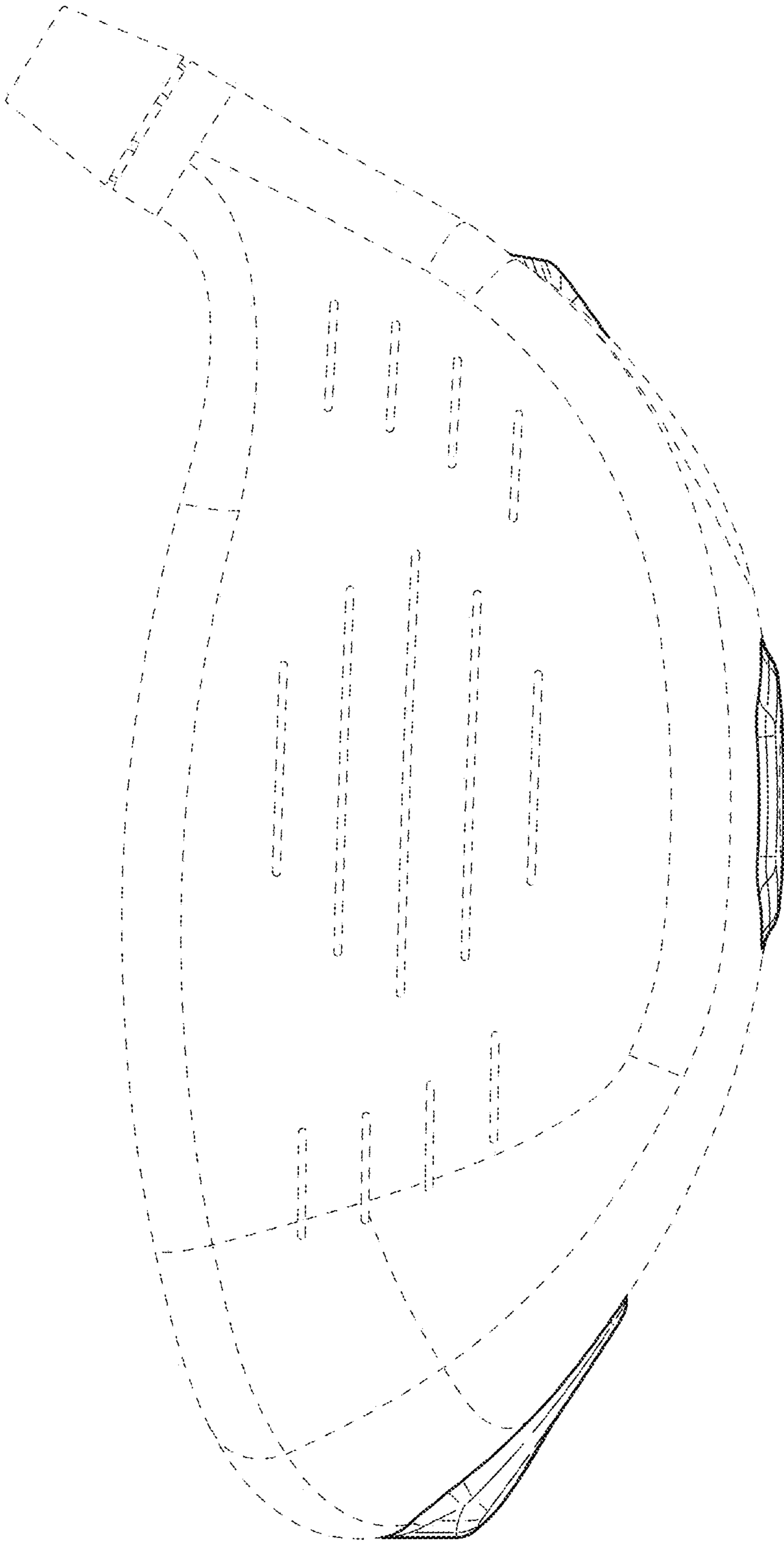


FIG. 11

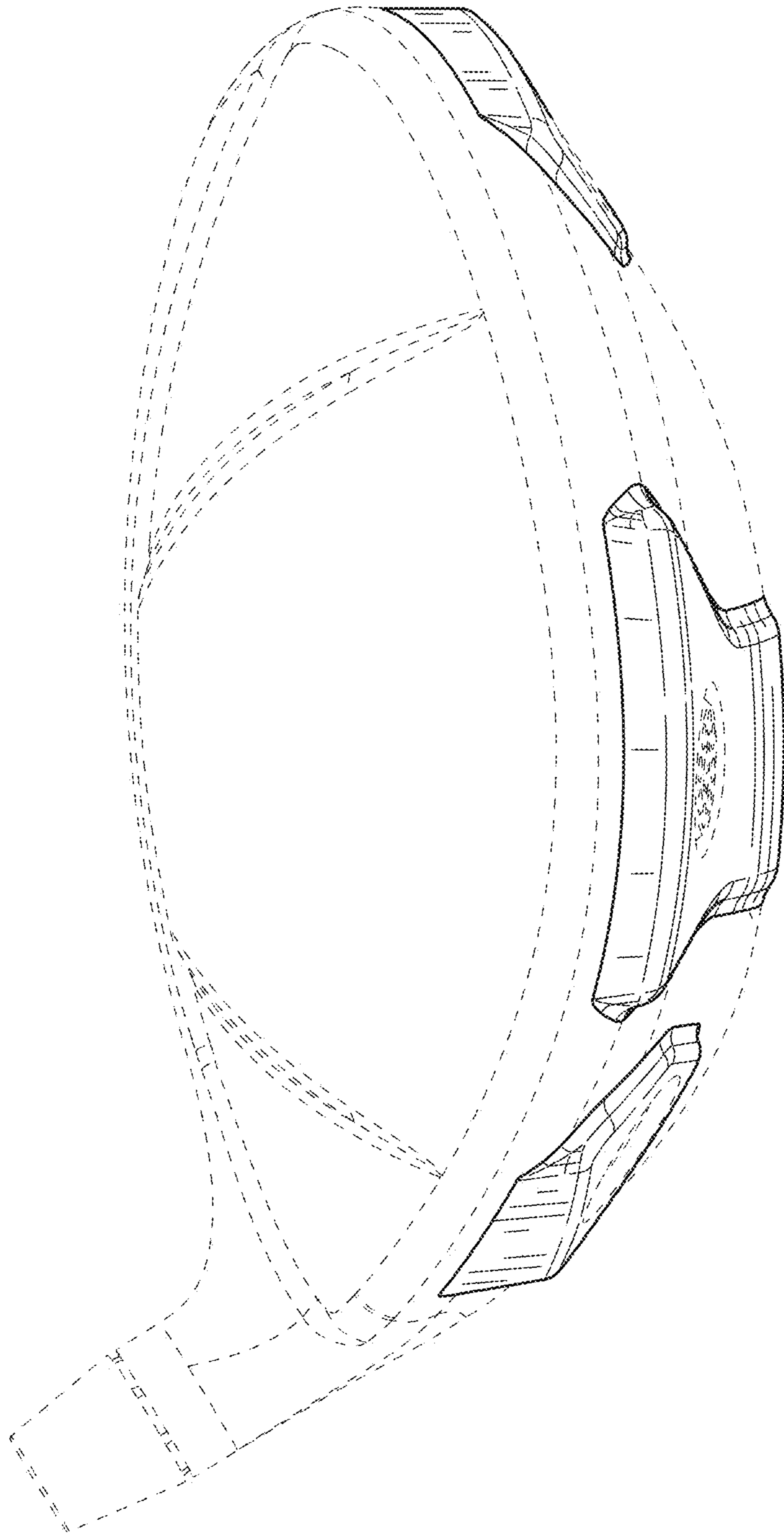


FIG. 12

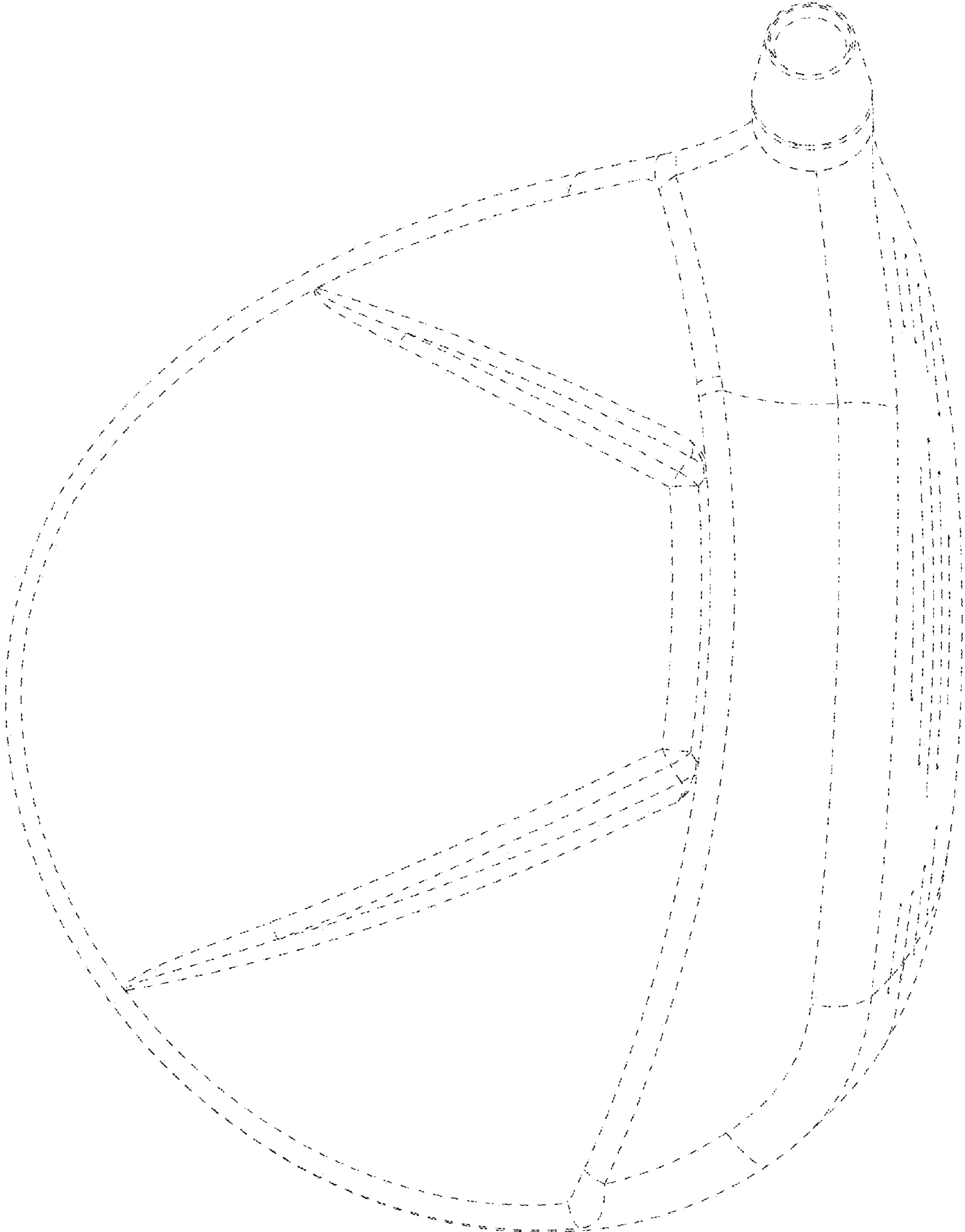


FIG. 13

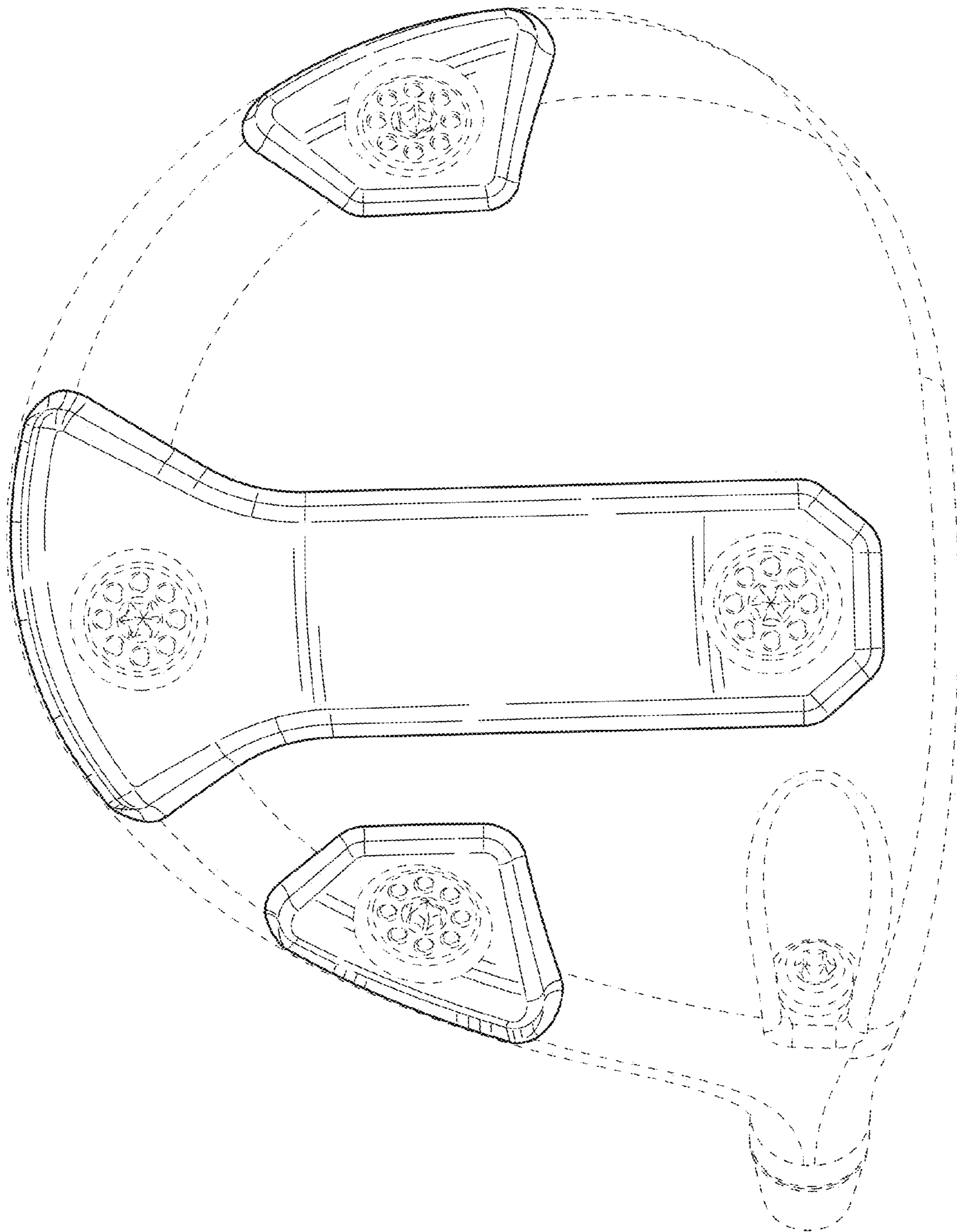


FIG. 14

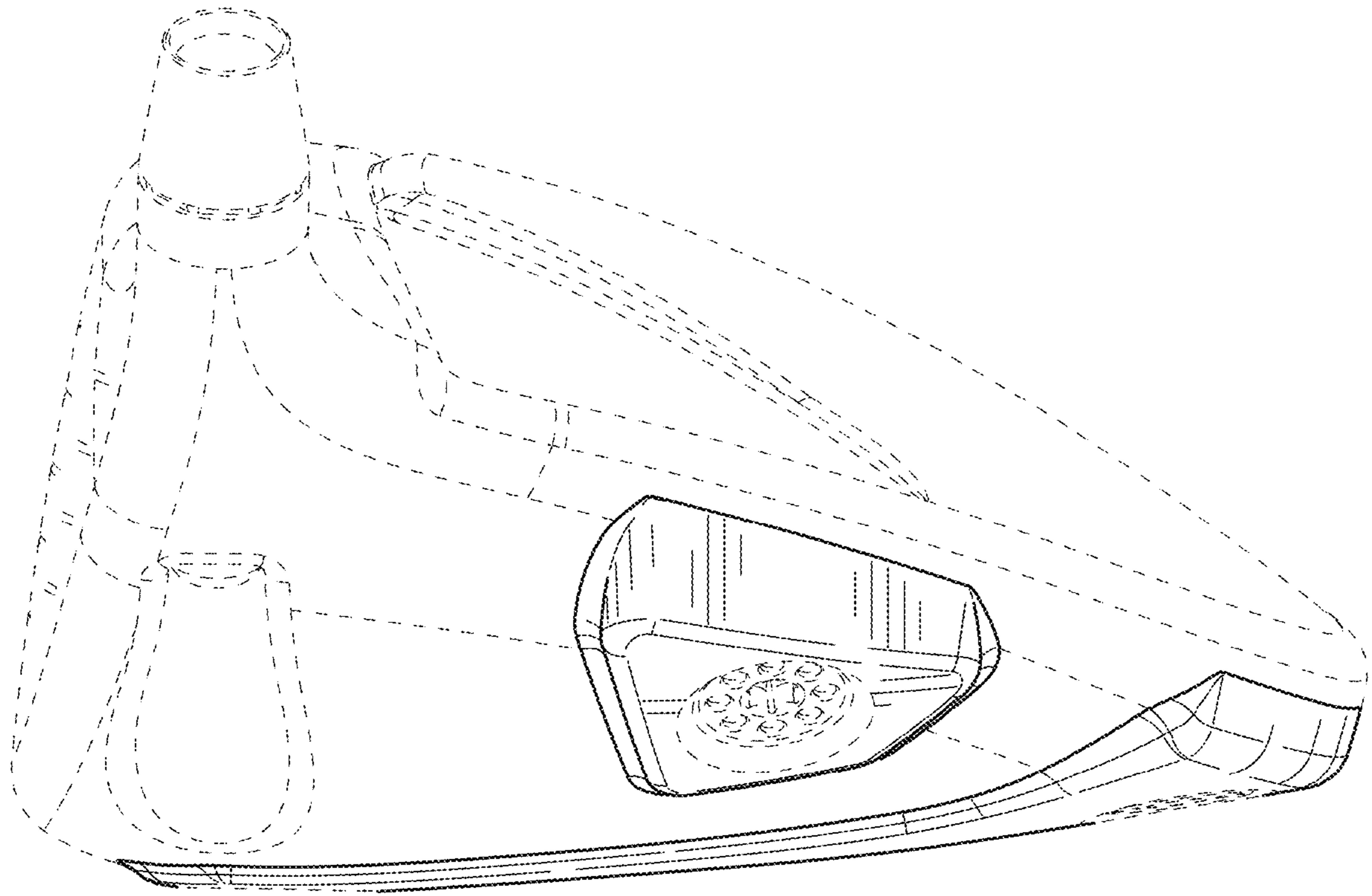


FIG. 15

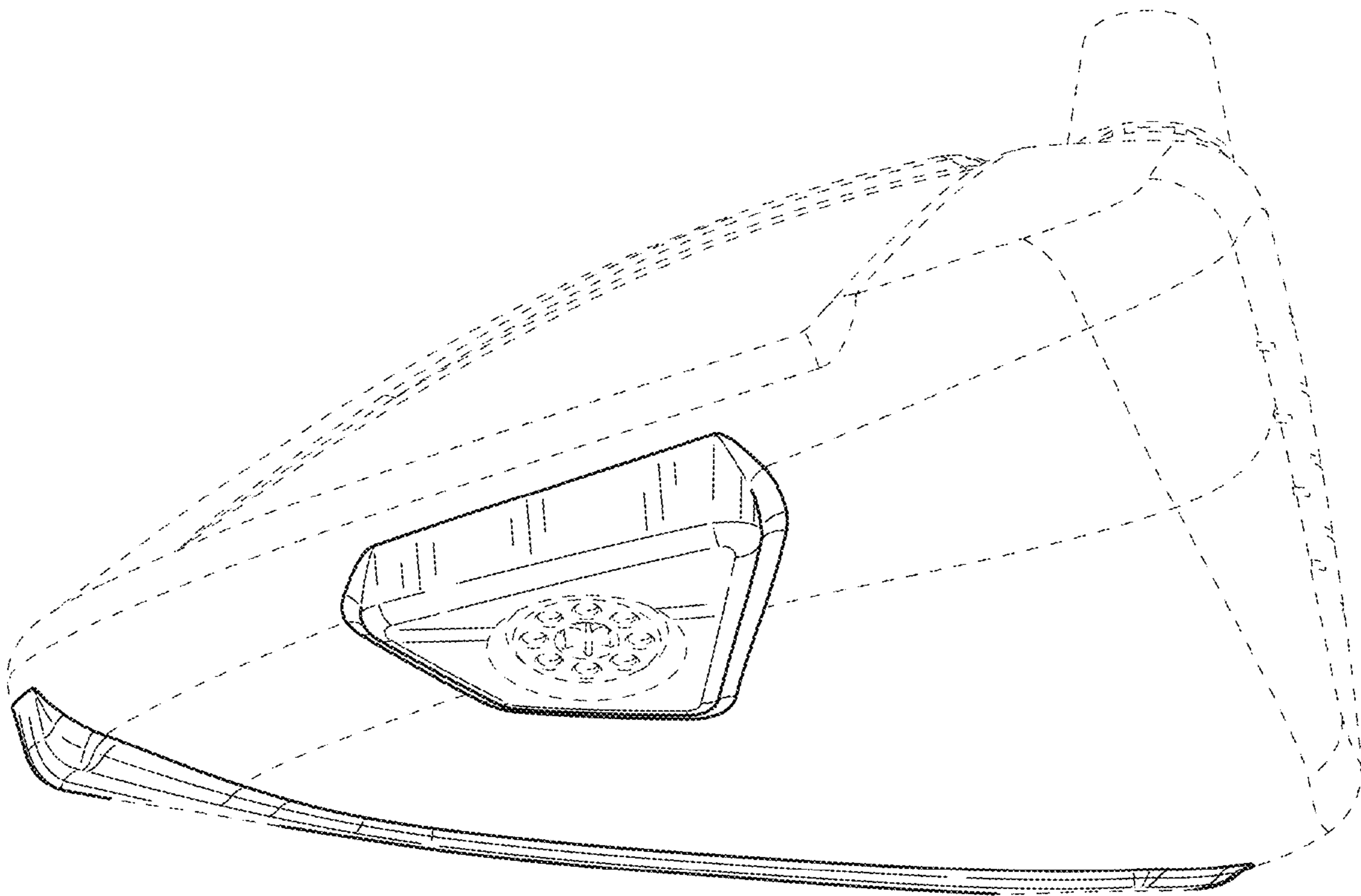


FIG. 16