



US00D968541S

(12) **United States Design Patent** (10) **Patent No.:** **US D968,541 S**  
**Vu** (45) **Date of Patent:** **\*\* Nov. 1, 2022**

(54) **GOLF CLUB HEAD**  
(71) Applicant: **Callaway Golf Company**, Carlsbad, CA (US)  
(72) Inventor: **Thomas Vu**, San Marcos, CA (US)  
(\*\*) Term: **15 Years**  
(21) Appl. No.: **29/767,878**  
(22) Filed: **Jan. 26, 2021**  
(51) **LOC (13) Cl.** ..... **21-02**  
(52) **U.S. Cl.**  
USPC ..... **D21/759**  
(58) **Field of Classification Search**  
USPC ..... D21/759, 752  
CPC ..... A63B 53/00; A63B 53/04; A63B 53/0466;  
A63B 2053/0445; A63B 2053/0433;  
A63B 2053/0491; A63B 2053/0437;  
A63B 60/00; A63B 60/46  
See application file for complete search history.

D837,316 S \* 1/2019 Harbert ..... D21/752  
D861,813 S \* 10/2019 Asatsuma ..... D21/759  
D875,863 S \* 2/2020 Foster ..... D21/759  
D909,519 S \* 2/2021 Tsuchihashi ..... D21/759  
D909,520 S \* 2/2021 Tsuchihashi ..... D21/759  
D909,521 S \* 2/2021 Tsuchihashi ..... D21/759  
D912,748 S \* 3/2021 Foster ..... D21/759  
D912,749 S \* 3/2021 Foster ..... D21/759  
D921,793 S \* 6/2021 Tsuchihashi ..... D21/759  
D921,795 S \* 6/2021 Tsuchihashi ..... D21/759  
D940,801 S \* 1/2022 Parsons ..... D21/752  
2018/0185719 A1\* 7/2018 Johnson ..... A63B 53/06  
2018/0345099 A1\* 12/2018 Harbert ..... A63B 53/04

**OTHER PUBLICATIONS**

Callaway woods google search; google.com; Aug. 30, 2022.\*  
Callaway fairway woods; callaway.com; Aug. 30, 2022.\*  
Callaway Epic MAX star driver; callaway.com; Aug. 30, 2022.\*  
Callaway drivers; callaway.com; Aug. 30, 2022.\*

\* cited by examiner

*Primary Examiner* — Mitchell I. Siegel  
(74) *Attorney, Agent, or Firm* — Rebecca Hanovice;  
Michael A. Catania; Sonia Lari

(56) **References Cited**  
U.S. PATENT DOCUMENTS

D344,561 S \* 2/1994 Gorman ..... D21/752  
D354,324 S \* 1/1995 Stites, III ..... D21/752  
D644,283 S \* 8/2011 Sargent ..... D21/733  
D647,989 S \* 11/2011 Nunez ..... D21/752  
D681,757 S \* 5/2013 Foster ..... D21/752  
D684,230 S \* 6/2013 Roberts ..... D21/752  
D686,291 S \* 7/2013 Foster ..... D21/759  
D719,624 S \* 12/2014 Asatsuma ..... D21/759  
D719,625 S \* 12/2014 Asatsuma ..... D21/759  
D719,626 S \* 12/2014 Asatsuma ..... D21/759  
D720,025 S \* 12/2014 Nicolette ..... D21/759  
D720,418 S \* 12/2014 Chen ..... D21/759  
D757,195 S \* 5/2016 Takagi ..... D21/759  
D791,255 S \* 7/2017 Jertson ..... D21/752  
D791,258 S \* 7/2017 Tang ..... D21/759  
D794,733 S \* 8/2017 Millemann ..... D21/752  
D801,462 S \* 10/2017 Wang ..... D21/752

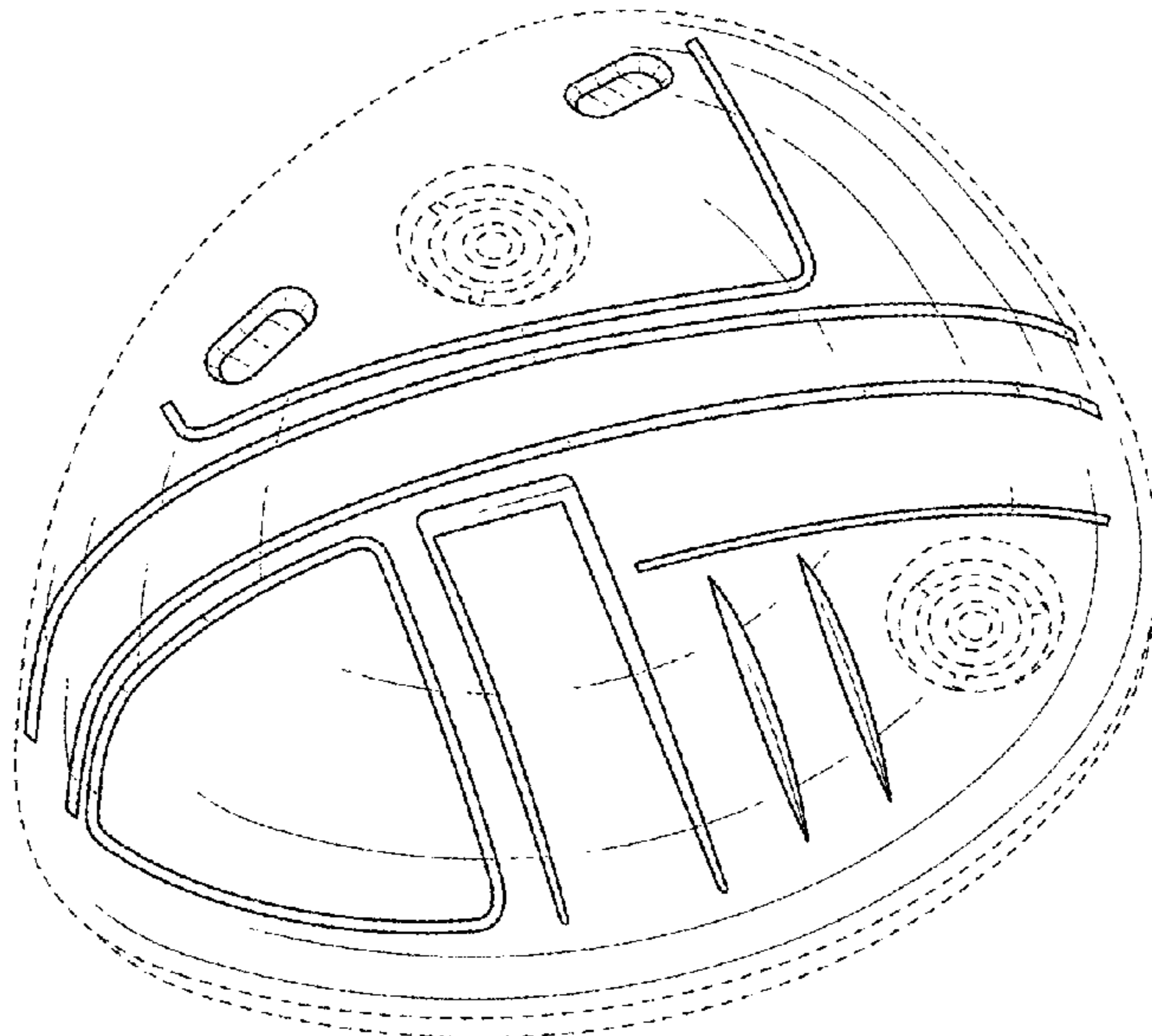
(57) **CLAIM**

The ornamental design for a golf club head, as shown and described.

**DESCRIPTION**

FIG. 1 is a bottom perspective view of the golf club head claimed herein;  
FIG. 2 is a front elevational view thereof;  
FIG. 3 is a rear elevational view thereof;  
FIG. 4 is a left side elevational view thereof;  
FIG. 5 is a right side elevational view thereof;  
FIG. 6 is a top plan view thereof; and,  
FIG. 7 is a bottom plan view thereof.  
The broken lines shown form no part of the claimed design.

**1 Claim, 4 Drawing Sheets**



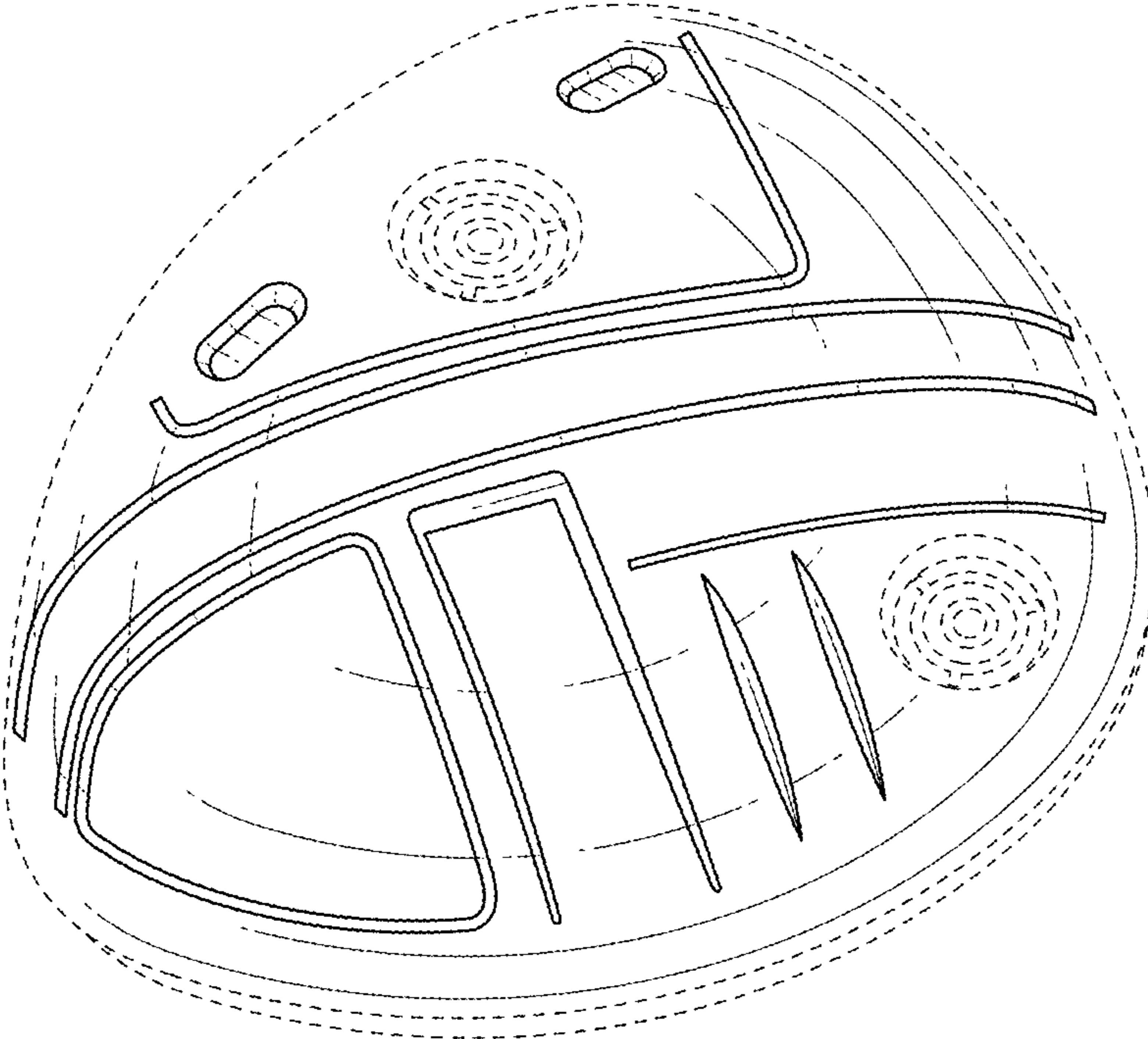


FIG. 1

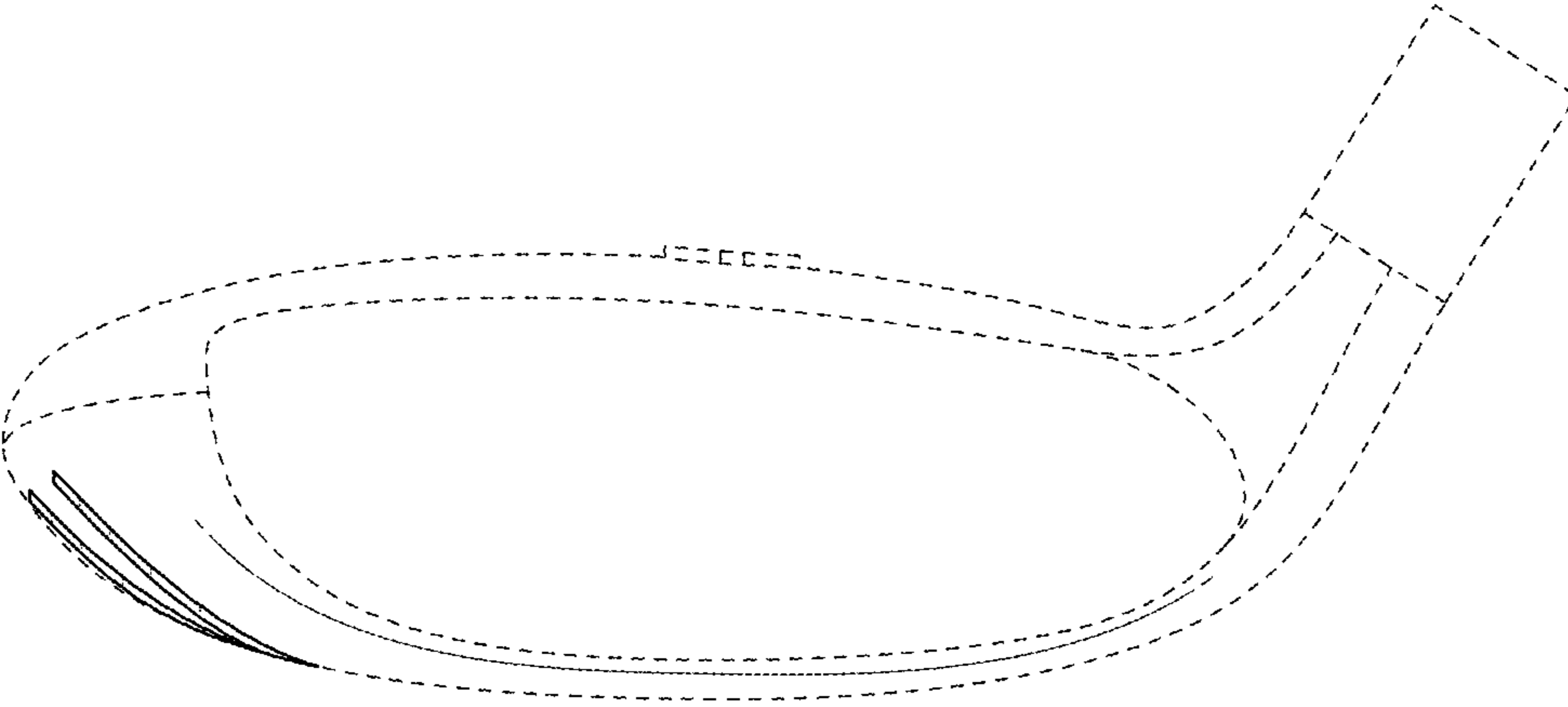


FIG. 2

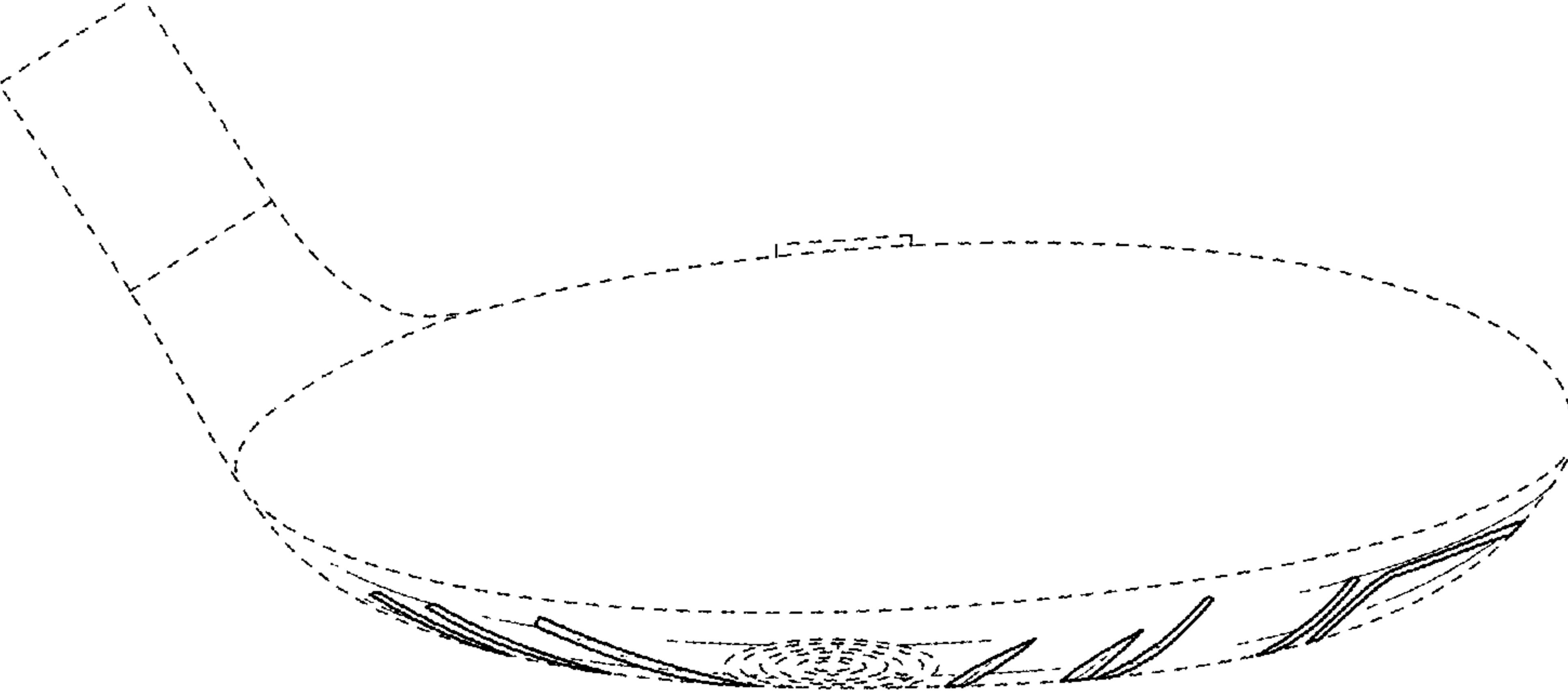


FIG. 3

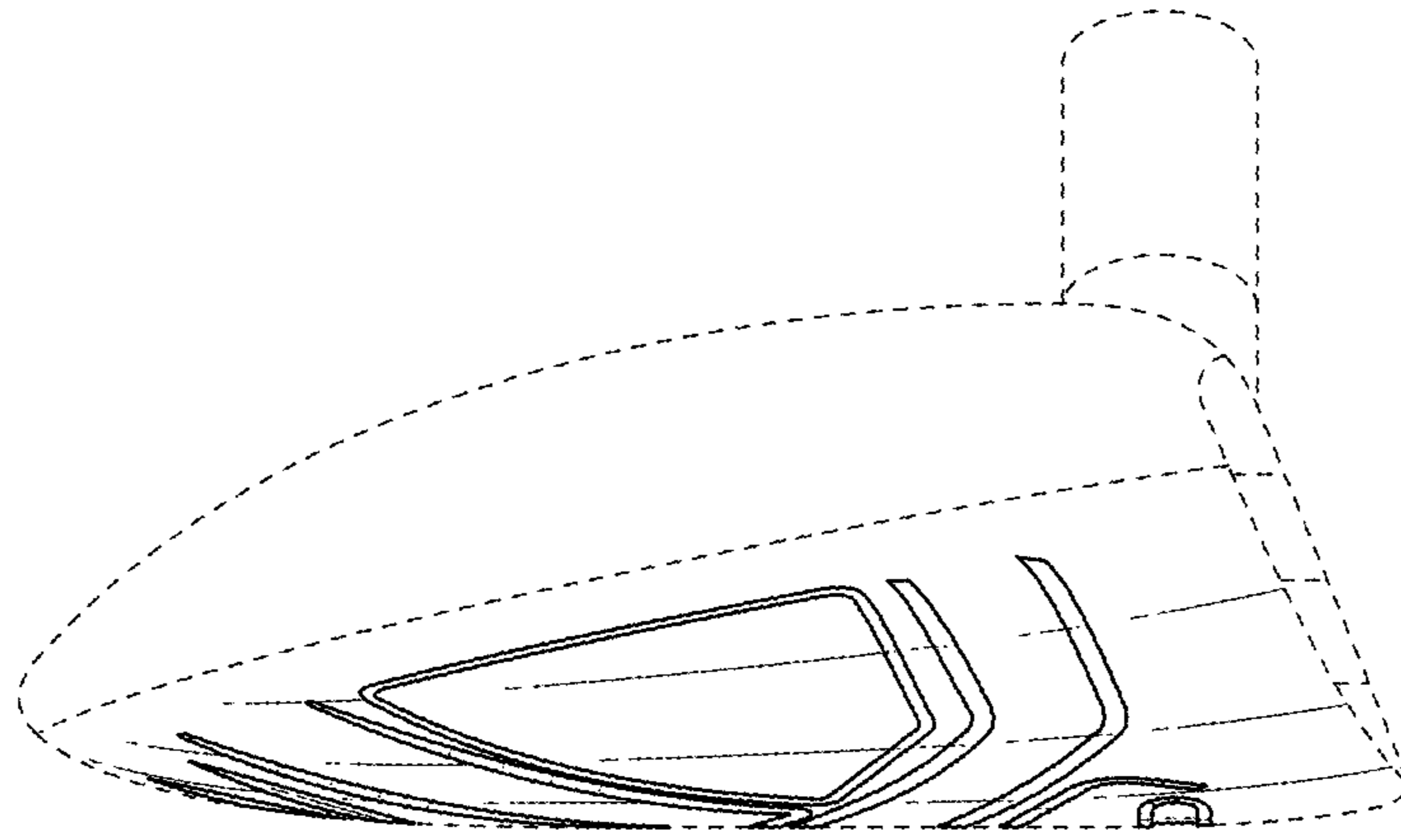


FIG. 4

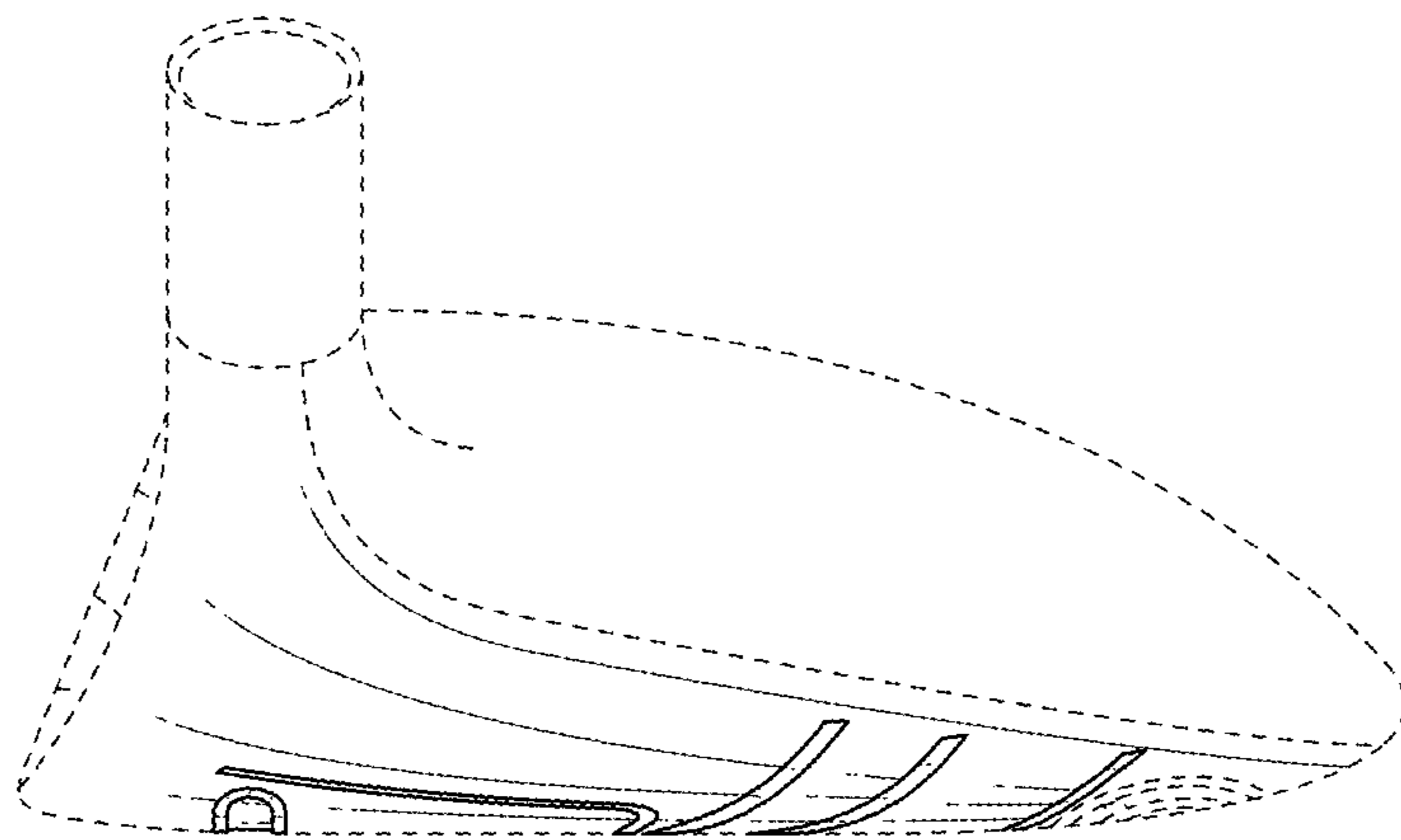


FIG. 5

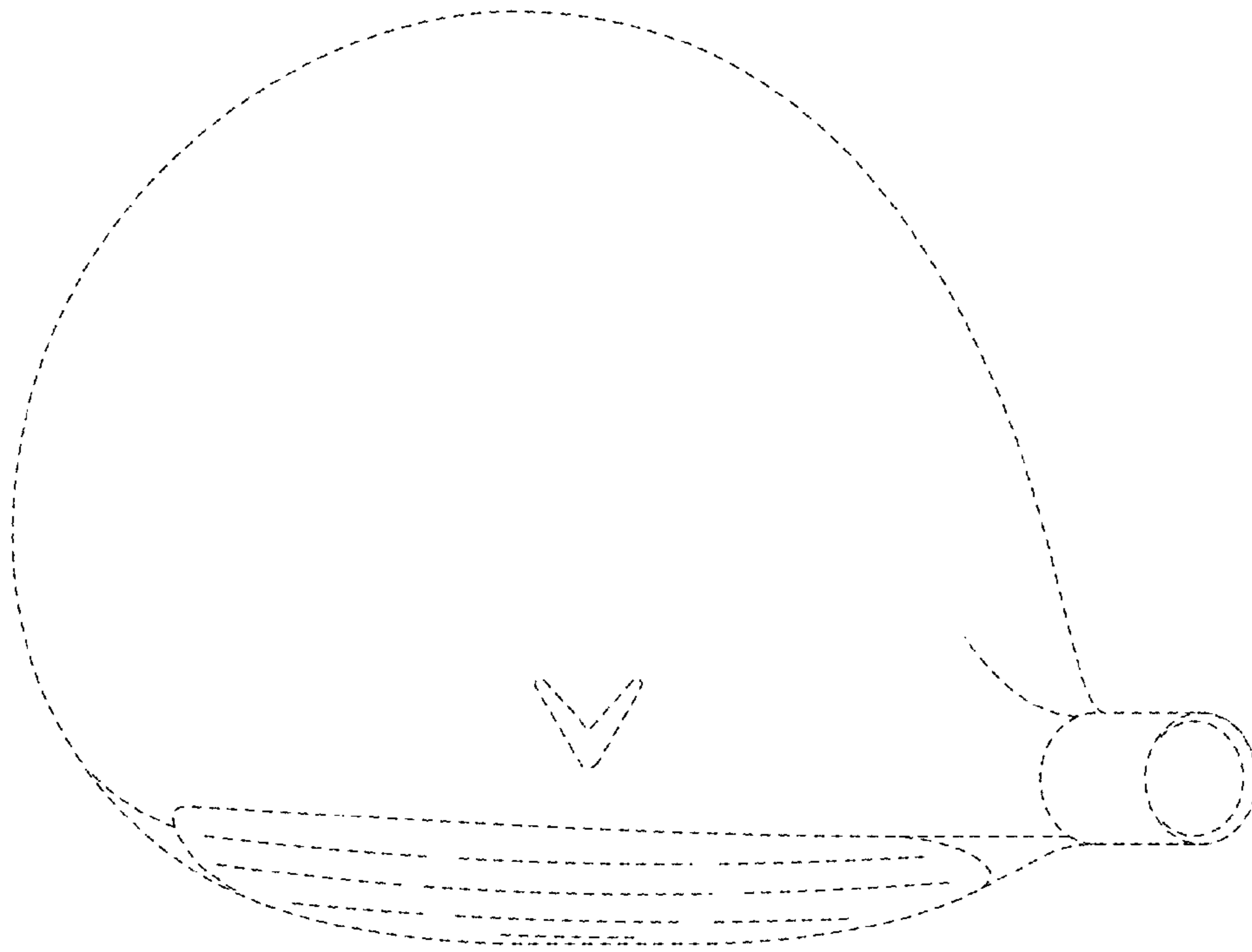


FIG. 6

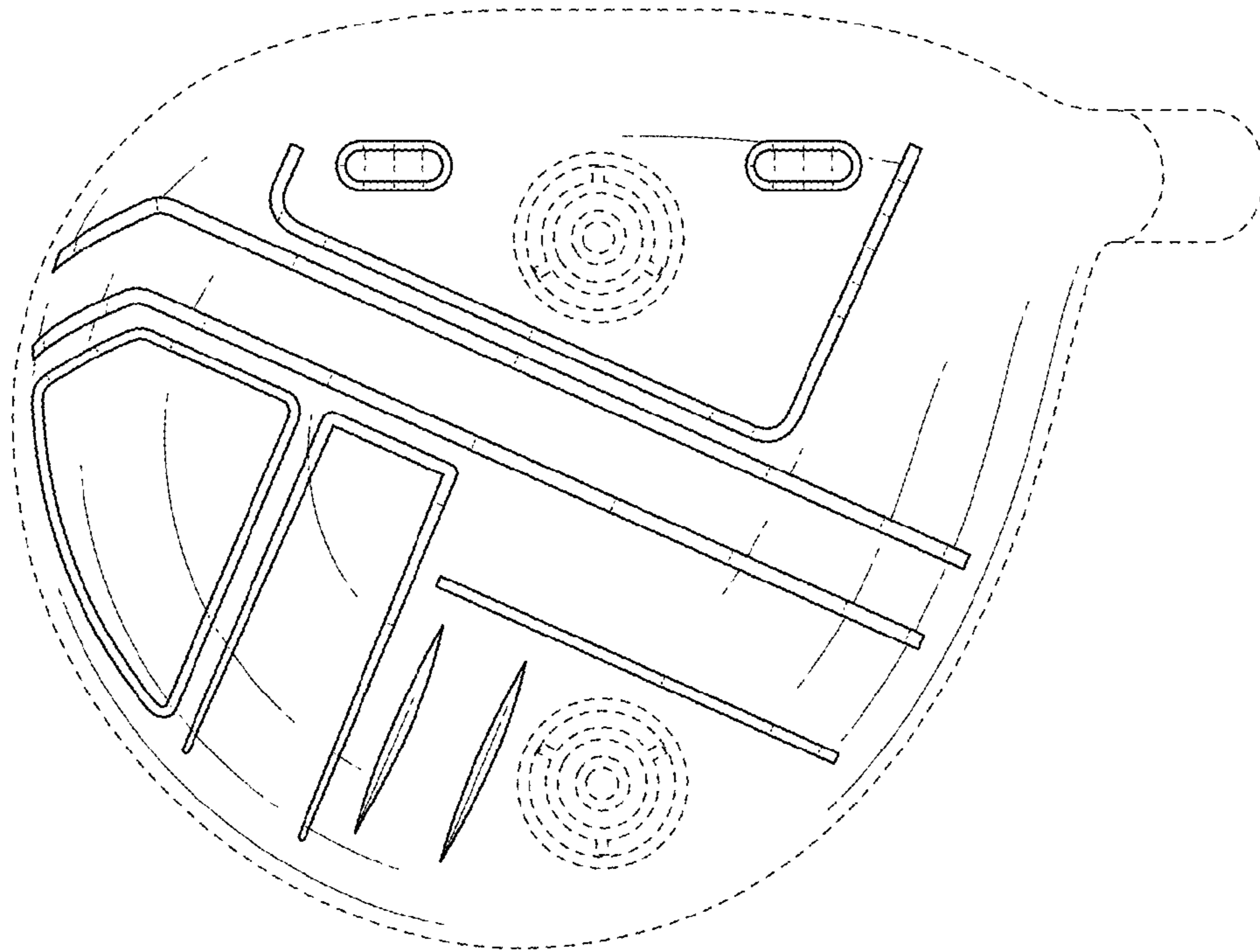


FIG. 7