



US00D968540S

(12) **United States Design Patent** (10) **Patent No.:** **US D968,540 S**
Foster (45) **Date of Patent:** **** Nov. 1, 2022**

(54) **GOLF CLUB HEAD**
(71) Applicant: **Callaway Golf Company**, Carlsbad, CA (US)
(72) Inventor: **Philip G. Foster**, San Marcos, CA (US)
(**) Term: **15 Years**
(21) Appl. No.: **29/767,284**
(22) Filed: **Jan. 21, 2021**
(51) **LOC (13) Cl.** **21-02**
(52) **U.S. Cl.**
USPC **D21/759**
(58) **Field of Classification Search**
USPC D21/759, 752
CPC A63B 53/00; A63B 53/04; A63B 53/0466;
A63B 2053/0445; A63B 2053/0433;
A63B 2053/0491; A63B 2053/0437;
A63B 60/00; A63B 60/46
See application file for complete search history.

D837,316 S * 1/2019 Harbert D21/752
D861,813 S * 10/2019 Asatsuma D21/759
D875,863 S * 2/2020 Foster D21/759
D909,519 S * 2/2021 Tsuchihashi D21/759
D909,520 S * 2/2021 Tsuchihashi D21/759
D909,521 S * 2/2021 Tsuchihashi D21/759
D912,748 S * 3/2021 Foster D21/759
D912,749 S * 3/2021 Foster D21/759
D921,793 S * 6/2021 Tsuchihashi D21/759
D921,795 S * 6/2021 Tsuchihashi D21/759
D940,801 S * 1/2022 Parsons D21/752
2018/0185719 A1* 7/2018 Johnson A63B 53/06
2018/0345099 A1* 12/2018 Harbert A63B 53/04

OTHER PUBLICATIONS

Callaway woods google search; google.com; Aug. 30, 2022.*
Callaway fairway woods; callaway.com; Aug. 30, 2022.*
Callaway Epic MAX star driver; callaway.com; Aug. 30, 2022.*
Callaway drivers; callaway.com; Aug. 30, 2022.*

* cited by examiner

Primary Examiner — Mitchell I. Siegel
(74) *Attorney, Agent, or Firm* — Rebecca Hanovice;
Michael A. Catania; Sonia Lari

(56) **References Cited**

U.S. PATENT DOCUMENTS

D344,561 S * 2/1994 Gorman D21/752
D354,324 S * 1/1995 Stites, III D21/752
D644,283 S * 8/2011 Sargent D21/733
D647,989 S * 11/2011 Nunez D21/752
D681,757 S * 5/2013 Foster D21/752
D684,230 S * 6/2013 Roberts D21/752
D686,291 S * 7/2013 Foster D21/759
D719,624 S * 12/2014 Asatsuma D21/759
D719,625 S * 12/2014 Asatsuma D21/759
D719,626 S * 12/2014 Asatsuma D21/759
D720,025 S * 12/2014 Nicolette D21/759
D720,418 S * 12/2014 Chen D21/759
D757,195 S * 5/2016 Takagi D21/759
D791,255 S * 7/2017 Jertson D21/752
D791,258 S * 7/2017 Tang D21/759
D794,733 S * 8/2017 Millemann D21/752
D801,462 S * 10/2017 Wang D21/752

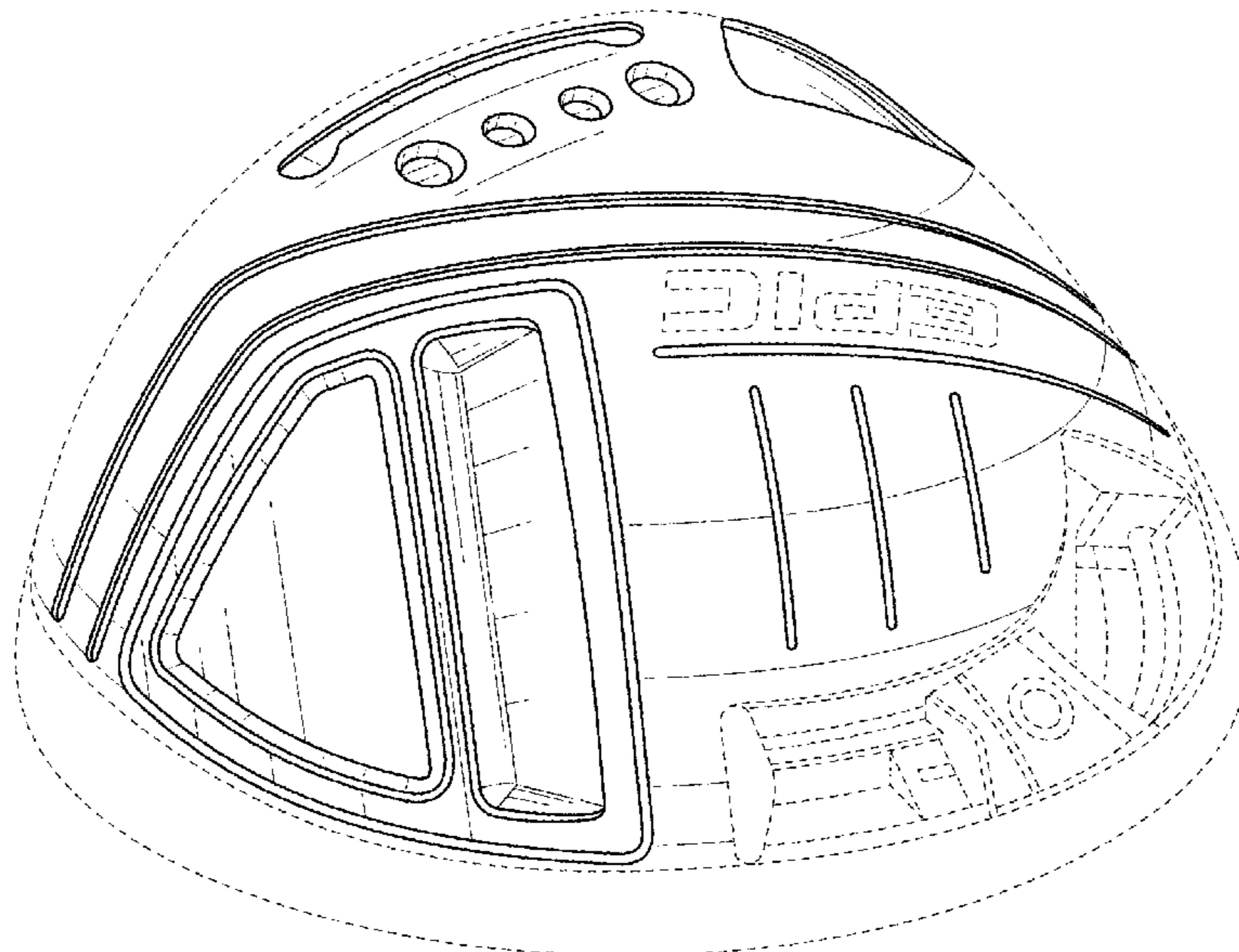
(57) **CLAIM**

The ornamental design for a golf club head, as shown and described.

DESCRIPTION

FIG. 1 is a bottom perspective view of the golf club head claimed herein;
FIG. 2 is a front elevational view thereof;
FIG. 3 is a rear elevational view thereof;
FIG. 4 is a left side elevational view thereof;
FIG. 5 is a right side elevational view thereof;
FIG. 6 is a top plan view thereof; and,
FIG. 7 is a bottom plan view thereof.
The broken lines shown form no part of the claimed design.

1 Claim, 5 Drawing Sheets



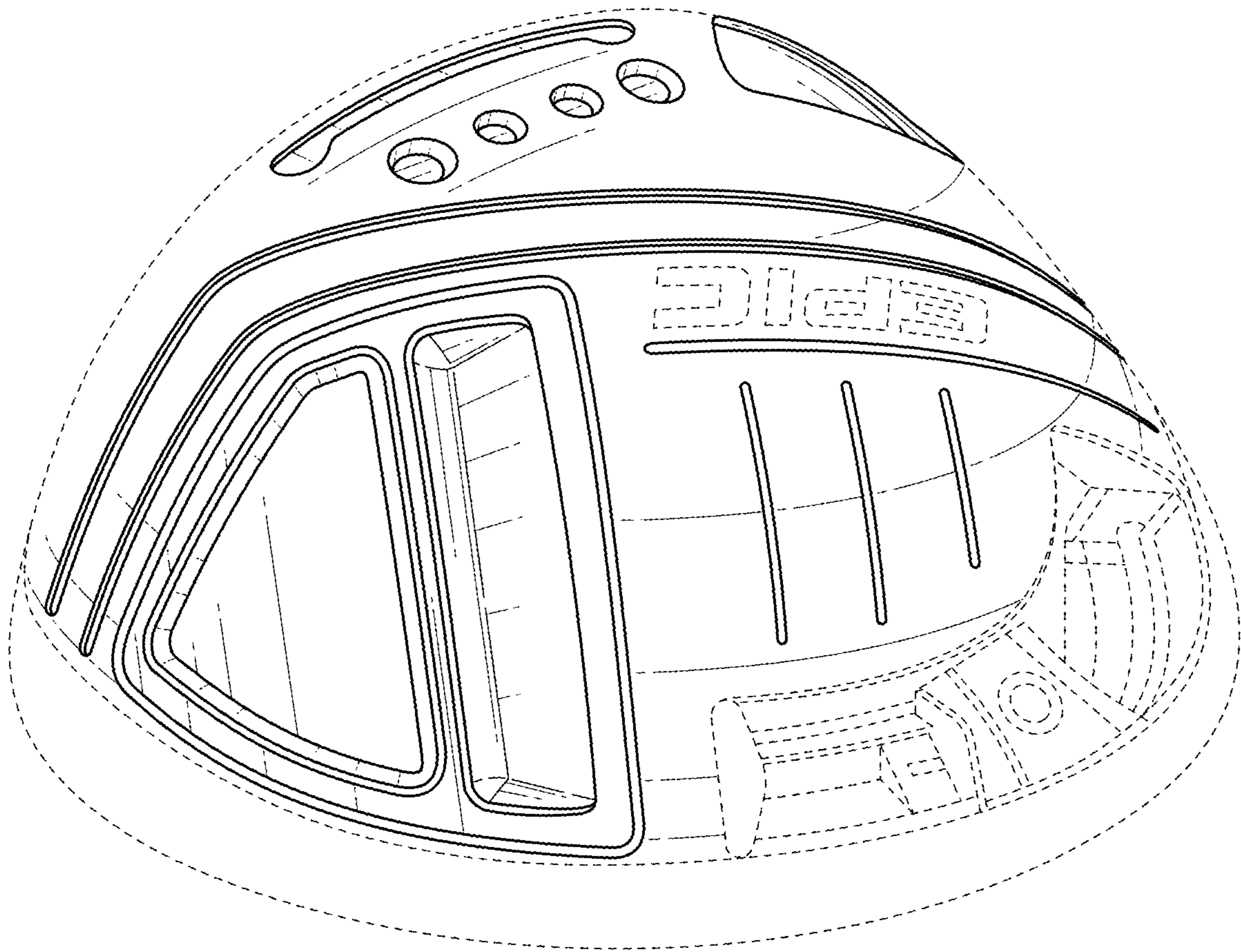


FIG. 1

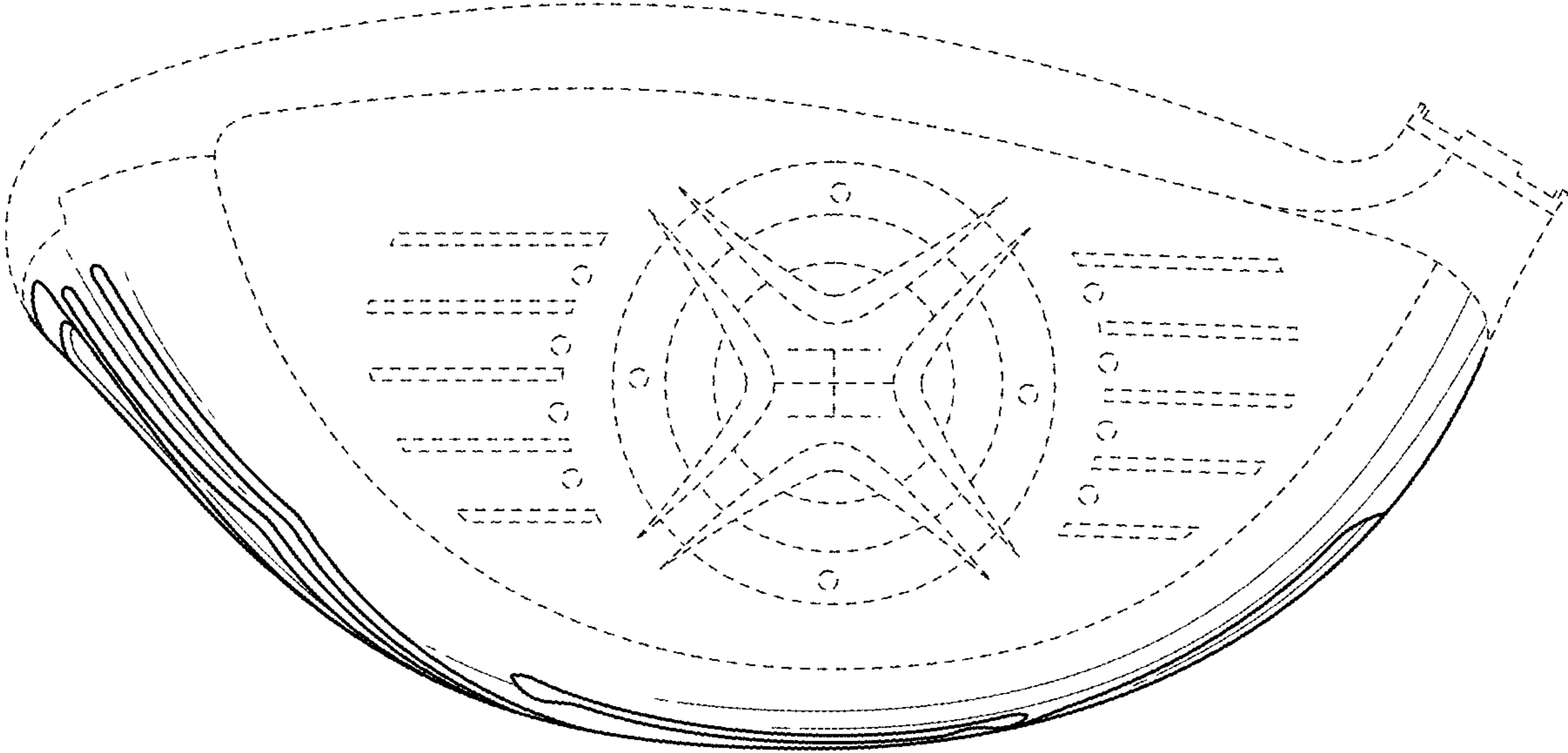


FIG. 2

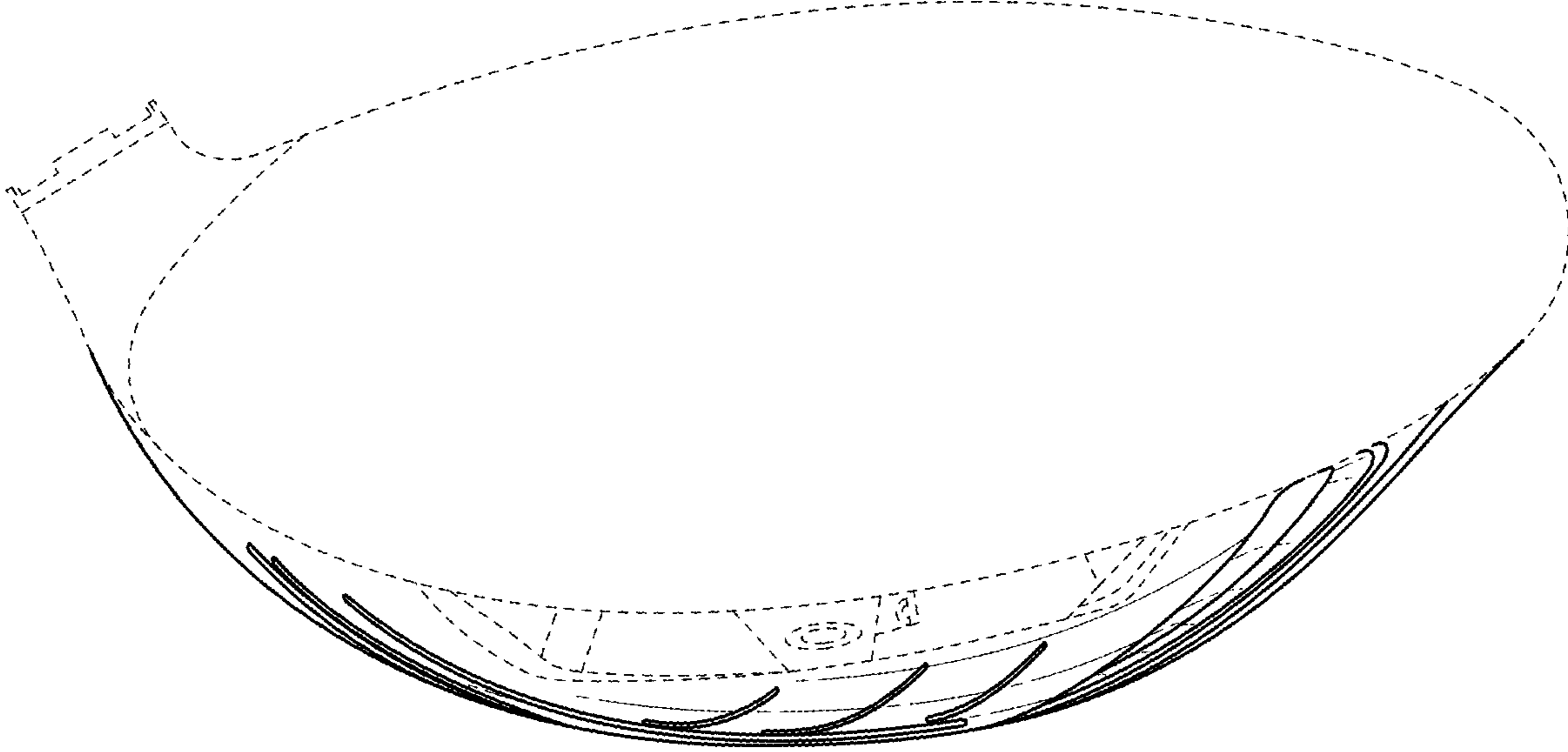


FIG. 3

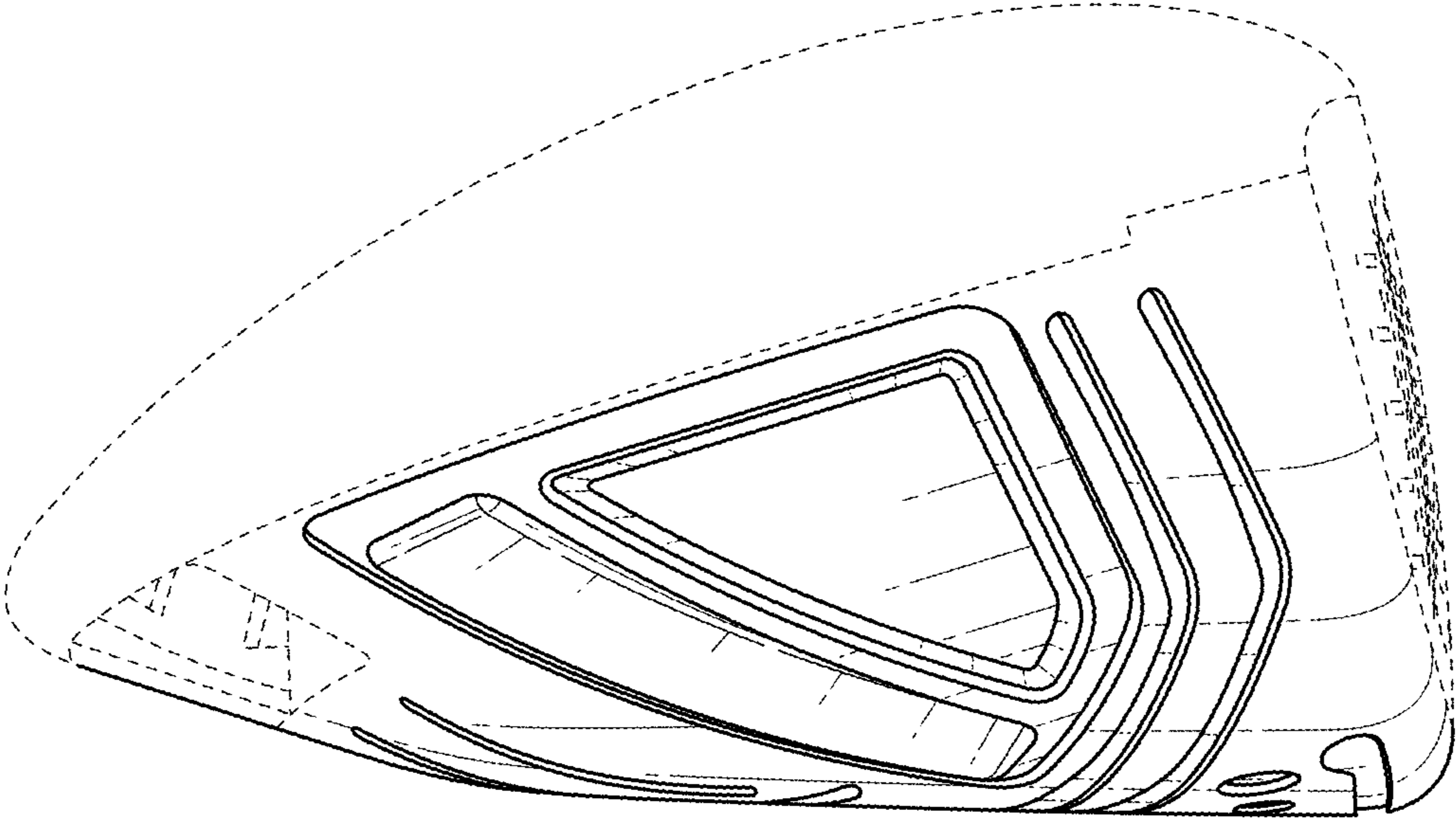


FIG. 4

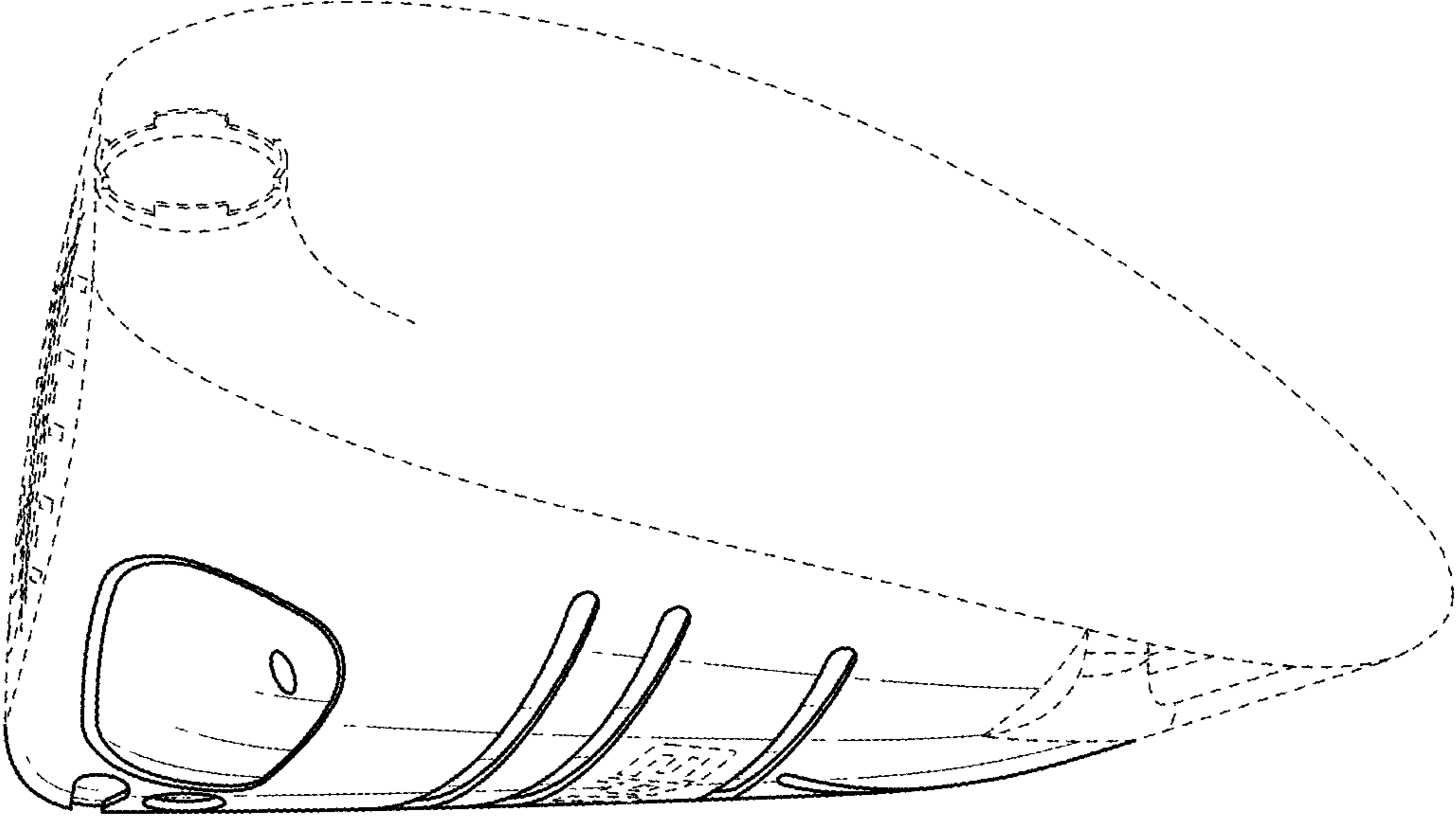


FIG. 5

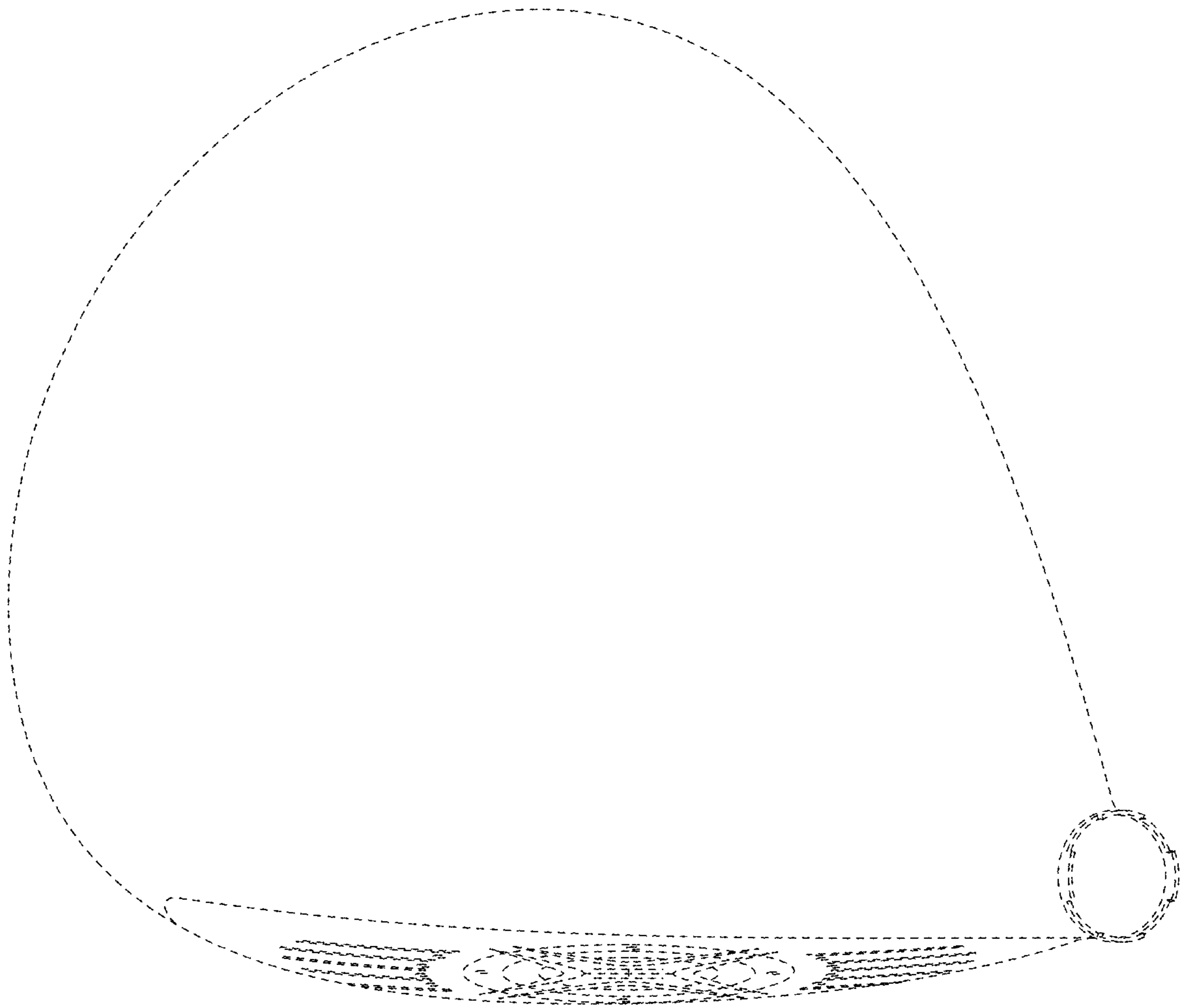


FIG. 6

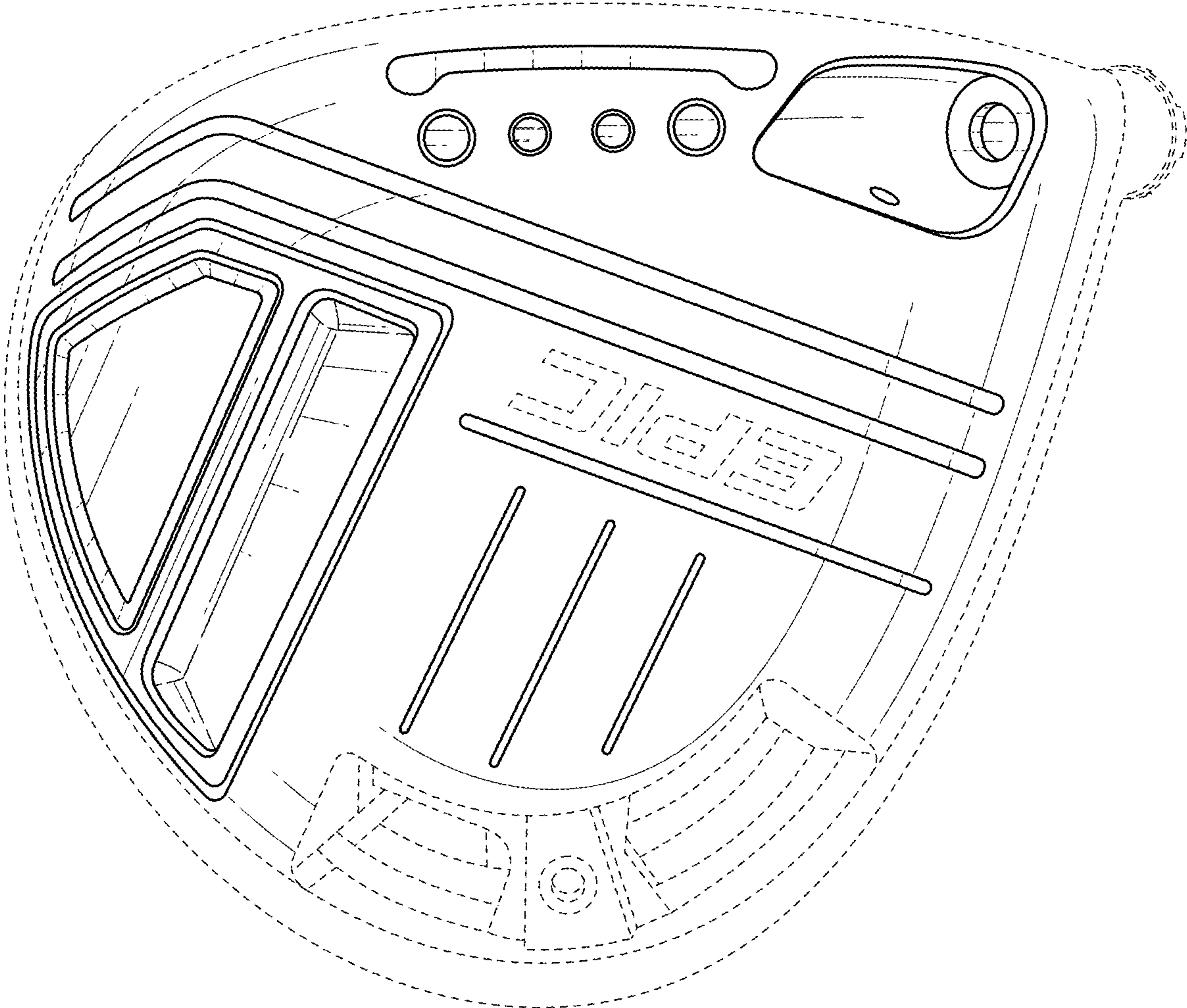


FIG. 7