



US00D968537S

(12) **United States Design Patent** (10) **Patent No.:** **US D968,537 S**  
**Wang** (45) **Date of Patent:** **\*\* Nov. 1, 2022**

(54) **SPORT BELT**

(71) Applicant: **Xingyu Wang**, Guangzhou (CN)

(72) Inventor: **Xingyu Wang**, Guangzhou (CN)

(\*\*) Term: **15 Years**

(21) Appl. No.: **29/787,364**

(22) Filed: **Jun. 6, 2021**

(51) **LOC (13) Cl.** ..... **21-02**

(52) **U.S. Cl.**  
USPC ..... **D21/683**

(58) **Field of Classification Search**  
USPC ..... D21/662, 694, 685, 683, 668, 686, 684;  
D29/100, 101.5; D24/190  
See application file for complete search history.

(56) **References Cited**

U.S. PATENT DOCUMENTS

4,905,678	A *	3/1990	Cumins	.....	A61F 5/0193
					602/19
5,259,397	A *	11/1993	McCabe	.....	A61F 5/30
					128/882
D405,884	S *	2/1999	Roper	.....	D24/190
6,540,703	B1 *	4/2003	Lerman	.....	A61F 5/0193
					602/5
D510,140	S *	9/2005	Brown	.....	D24/190
7,354,410	B2 *	4/2008	Perry	.....	A61H 9/0007
					128/DIG. 20
D608,006	S *	1/2010	Avitable	.....	D24/190
8,114,117	B2 *	2/2012	Avitable	.....	A61F 13/085
					606/201
D658,300	S *	4/2012	Rhijn	.....	D24/190
D769,614	S	10/2016	Nejjar		
D777,334	S *	1/2017	Souney	.....	D24/190
D789,683	S	6/2017	Bartlett et al.		
10,842,679	B2 *	11/2020	Clement	.....	A61F 13/041
2007/0129658	A1 *	6/2007	Hampson	.....	A61H 9/0078
					602/1

2007/0179416	A1 *	8/2007	O'Brien	.....	A61H 9/00
					601/149
2008/0249455	A1 *	10/2008	Brown	.....	A61F 13/08
					602/75
2016/0113801	A1 *	4/2016	Weissleder	.....	A61F 5/0104
					602/19

OTHER PUBLICATIONS

Love beauty store, announced Feb. 26, 2021 [online], [site visited Mar. 9, 2022]. Available on internet, URL:https://www.amazon.com/Lover-Beauty-Trainer-Trimmer-Slimmer-Workout/dp/B08XMPNW9D/ref (Year: 2021).\*  
Hoplynn store, announced May 25, 2020 [online], [site visited Mar. 9, 2022]. Available on internet, URL:https://www.amazon.com/HOPLYNN-Trimmer-Trainer-Slimming-Shapewear/dp/B089498SDS/ref (Year: 2020).\*

\* cited by examiner

*Primary Examiner* — Khawaja Anwar  
*Assistant Examiner* — Julice Seung Eun Oum  
(74) *Attorney, Agent, or Firm* — Jeenam Park

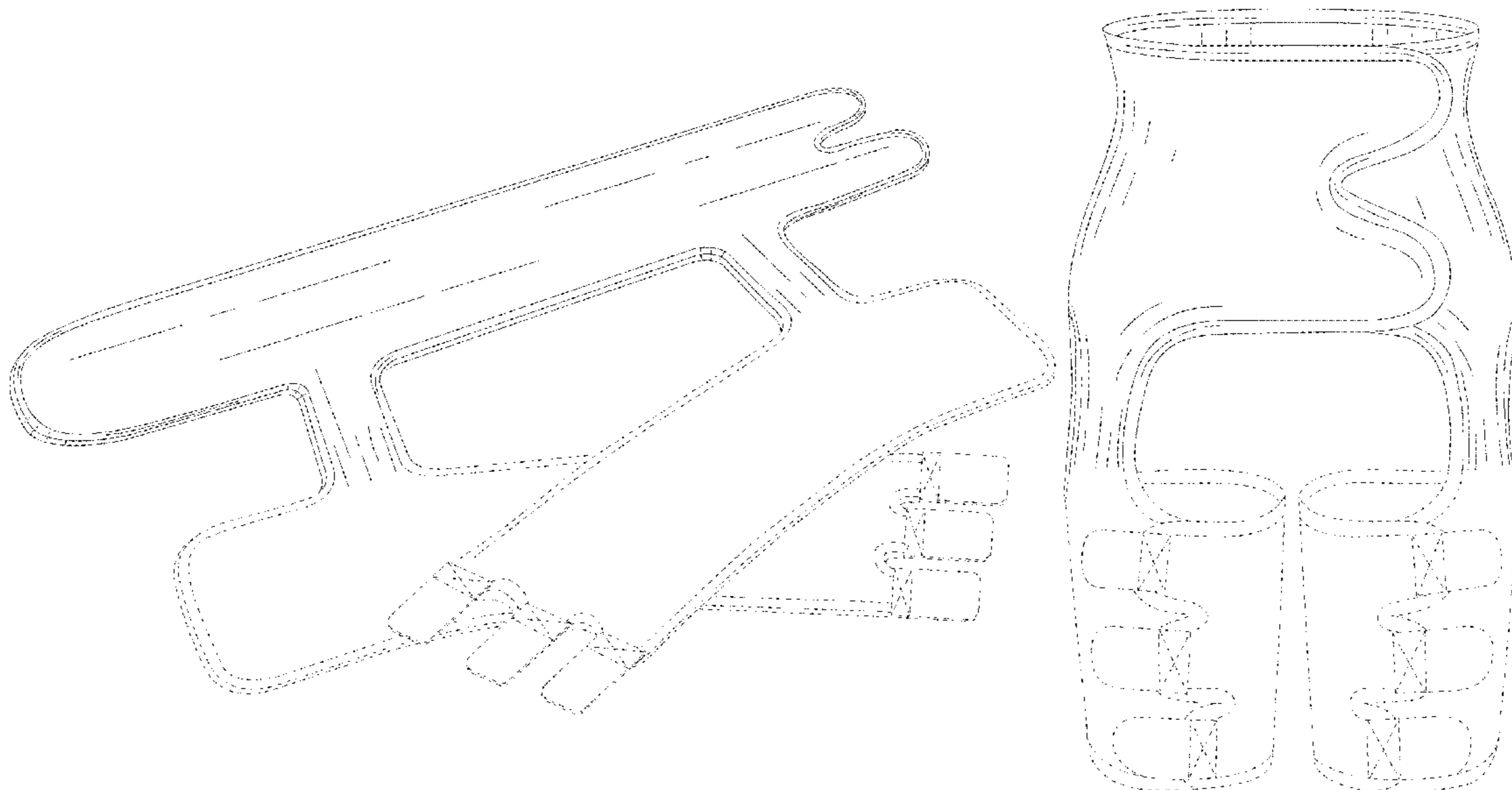
(57) **CLAIM**

The ornamental design for a sport belt, as shown and described.

**DESCRIPTION**

FIG. 1 is a perspective view of a sport belt showing my new design;  
FIG. 2 is a folded state view thereof;  
FIG. 3 is a use state view thereof;  
FIG. 4 is a front view thereof;  
FIG. 5 is a rear view thereof;  
FIG. 6 is a left side view thereof;  
FIG. 7 is a right side view thereof; and,  
FIG. 8 is a top plan view.  
The broken line showing of sport belt is for the purpose of illustrating environmental structure and forms no part of the claimed design.

**1 Claim, 8 Drawing Sheets**



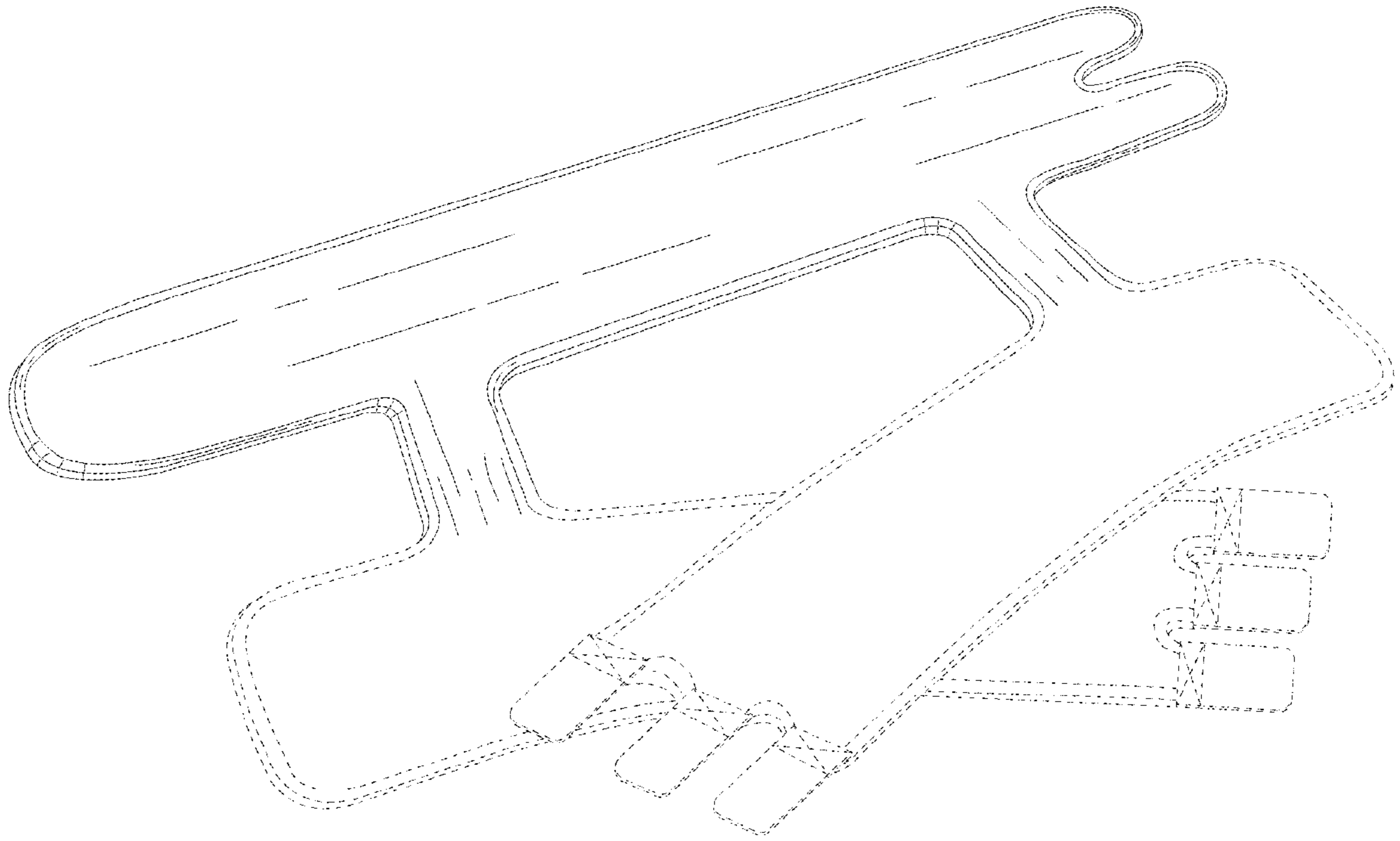


FIG.1

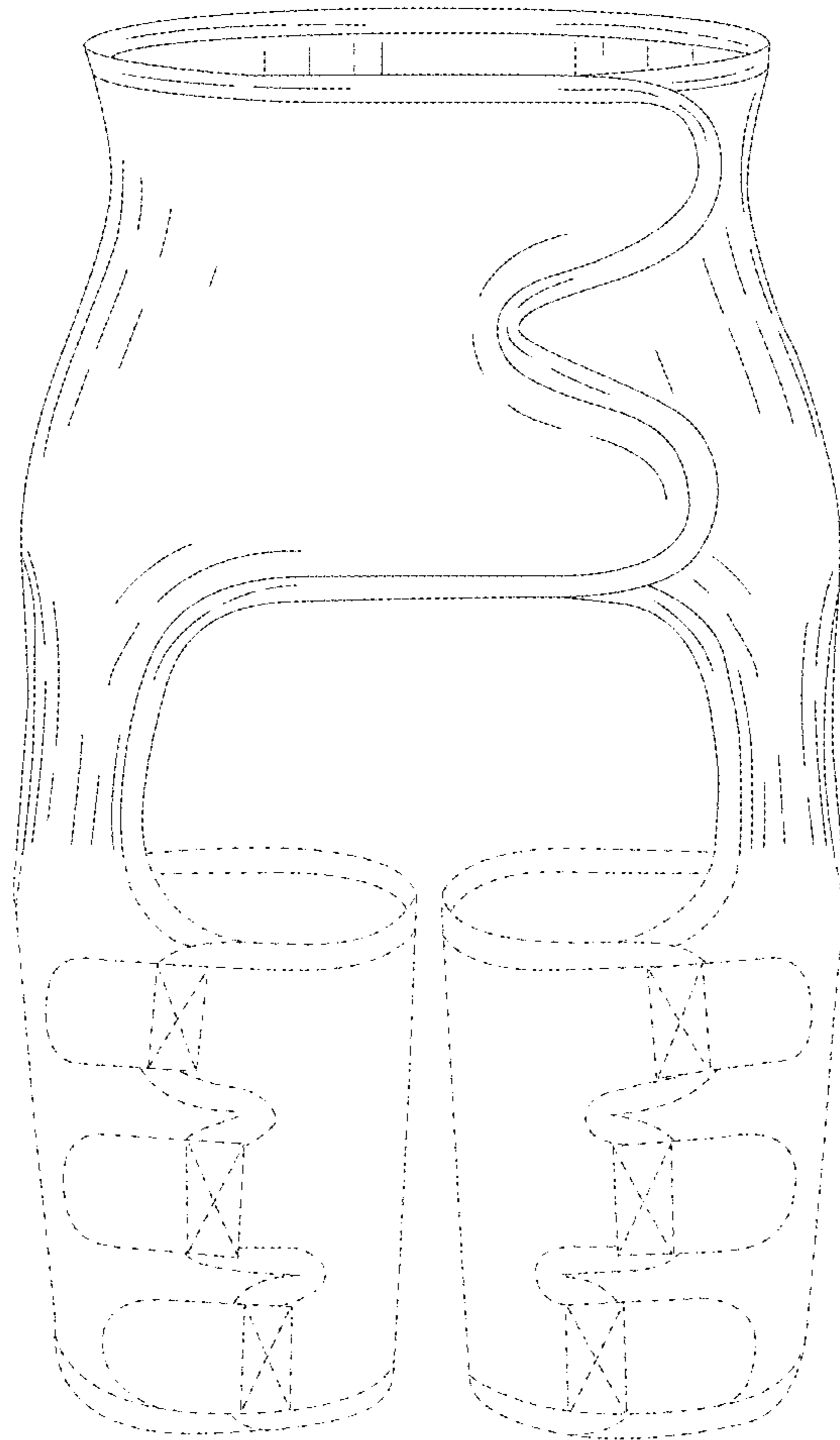


FIG.2

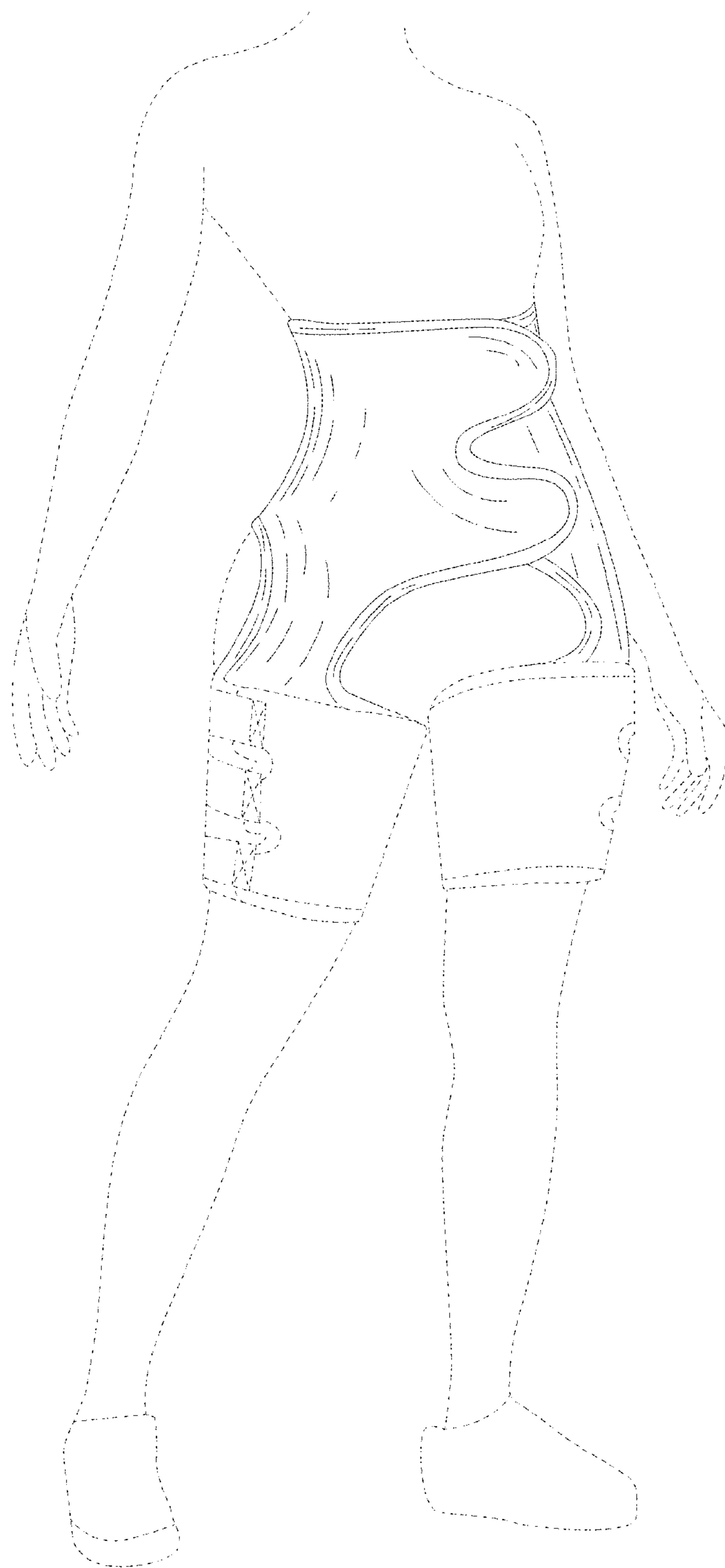


FIG.3

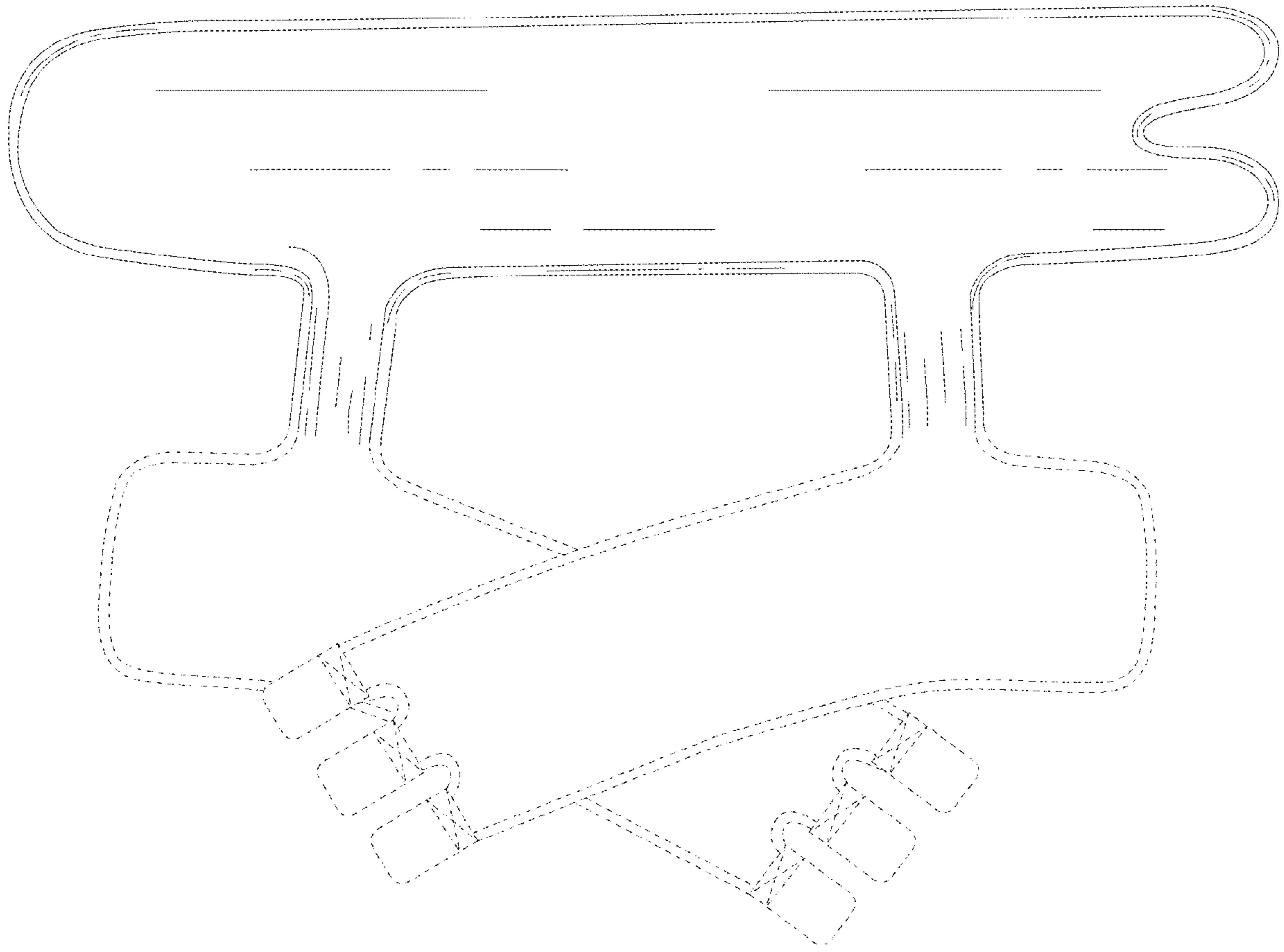


FIG.4

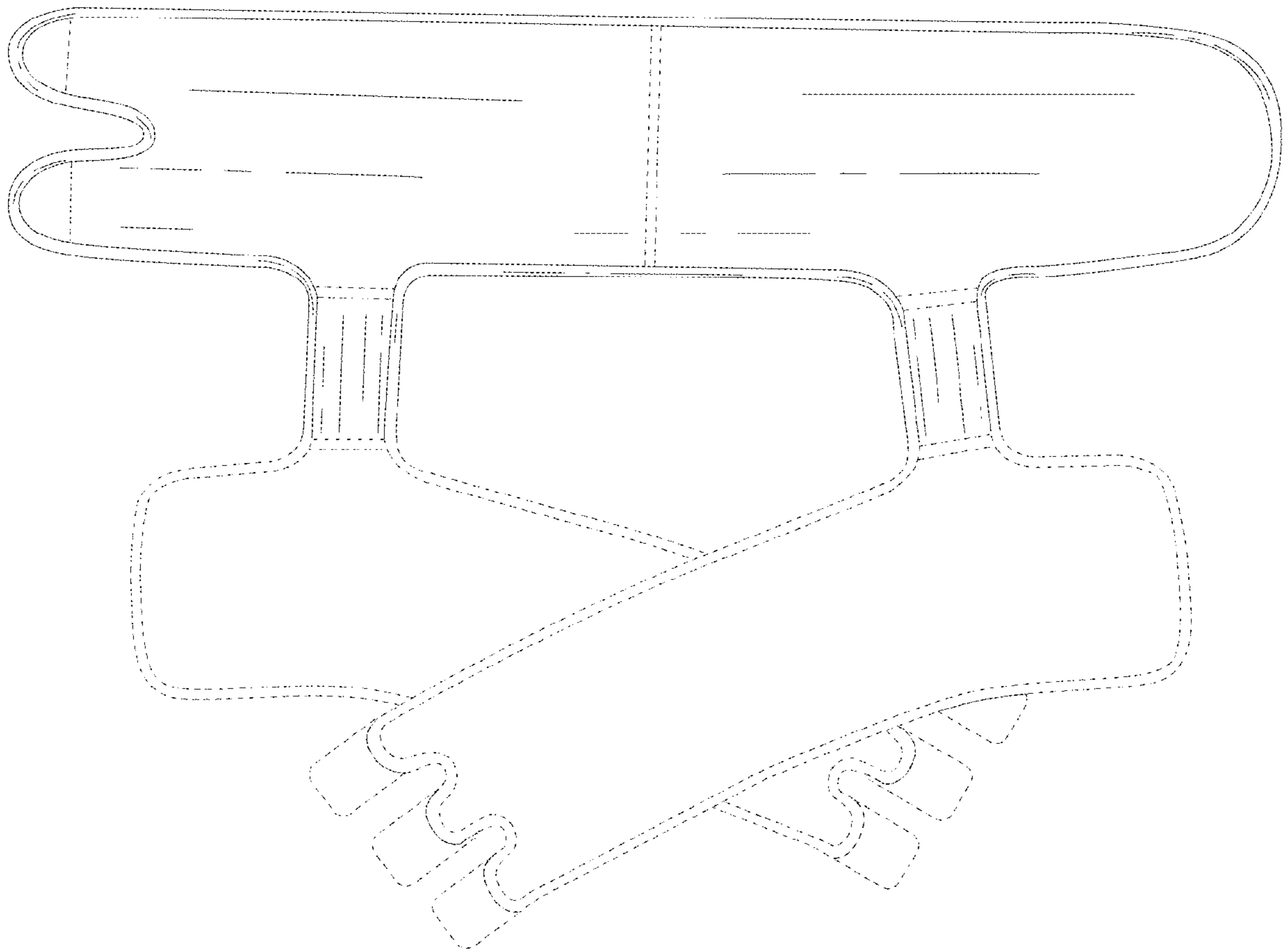


FIG.5



FIG.6



FIG.7



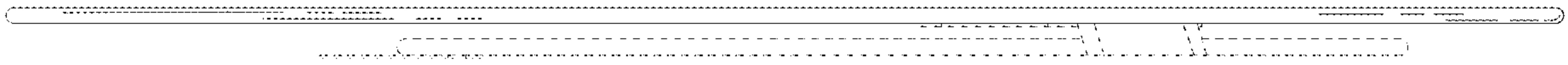


FIG.8