



US00D968535S

(12) **United States Design Patent** (10) **Patent No.:** **US D968,535 S**  
**Wang** (45) **Date of Patent:** **\*\* Nov. 1, 2022**

(54) **PULL UP BAR**

(71) Applicant: **Hongan Wang**, Ankang (CN)

(72) Inventor: **Hongan Wang**, Ankang (CN)

(\*\*) Term: **15 Years**

(21) Appl. No.: **29/839,715**

(22) Filed: **May 24, 2022**

(51) **LOC (13) Cl.** ..... **21-02**

(52) **U.S. Cl.**  
USPC ..... **D21/679**

(58) **Field of Classification Search**  
USPC ..... D21/679, 681, 686, 673, 677, 662, 665  
See application file for complete search history.

(56) **References Cited**

U.S. PATENT DOCUMENTS

D348,706 S	7/1994	Harrell	
D667,901 S	9/2012	Garcia Chavez	
D686,286 S *	7/2013	Orakwusi	D21/679
D725,722 S *	3/2015	Conaway	D21/679
D731,008 S *	6/2015	Orakwusi	D21/681
D748,212 S *	1/2016	Gangemi	D21/681
D854,635 S	7/2019	Dunahay	
D863,467 S	10/2019	Weng	
D868,910 S	12/2019	Huang	
D892,948 S	8/2020	Huang	
D898,134 S *	10/2020	Hitman	D21/679
D936,761 S *	11/2021	Jiang	D21/679
2005/0250619 A1 *	11/2005	Daikeler	A63B 1/00 482/40
2010/0044536 A1 *	2/2010	Huang	F16M 13/02 248/201
2020/0353302 A1 *	11/2020	Sommers	A63B 21/0604

OTHER PUBLICATIONS

Ceayun, announced 2020 [online], [site visited Aug. 30, 2022]. Available on internet, URL:https://www.amazon.com/dp/B09M2N5K67?pd\_rd\_i=B09M2N5K67&pf (Year: 2020).\*  
Armpow, announced 2021[online], [site visited Aug. 30, 2022]. Available on internet, URL:https://www.amazon.com/Armpow-Doorway-Multifunctional-Portable-Assemble/dp/B09MVKNS55/ref (Year: 2021).\*

\* cited by examiner

*Primary Examiner* — Khawaja Anwar  
*Assistant Examiner* — Julice Seung Eun Oum  
(74) *Attorney, Agent, or Firm* — Rमित Ranjit Kanakia

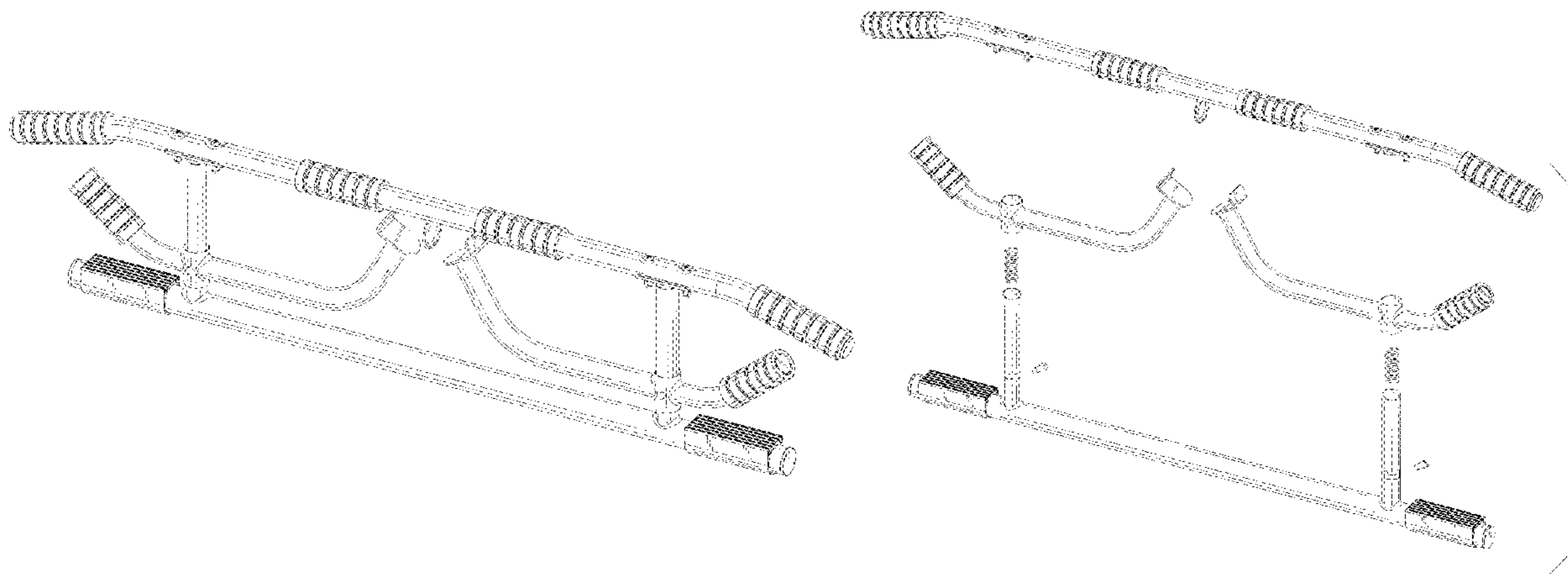
(57) **CLAIM**

The ornamental design for a pull up bar, as shown and described.

**DESCRIPTION**

FIG. 1 is a front perspective view of a pull up bar showing my new design;  
FIG. 2 is a front view thereof;  
FIG. 3 is a rear view thereof;  
FIG. 4 is a left side view thereof;  
FIG. 5 is a right side view thereof;  
FIG. 6 is a top view thereof;  
FIG. 7 is a bottom view thereof; and,  
FIG. 8 is a perspective view of a pull up bar showing in open position.  
Broken lines in the drawings depict portions of the pull up bar that form no part of the claimed design.

**1 Claim, 8 Drawing Sheets**



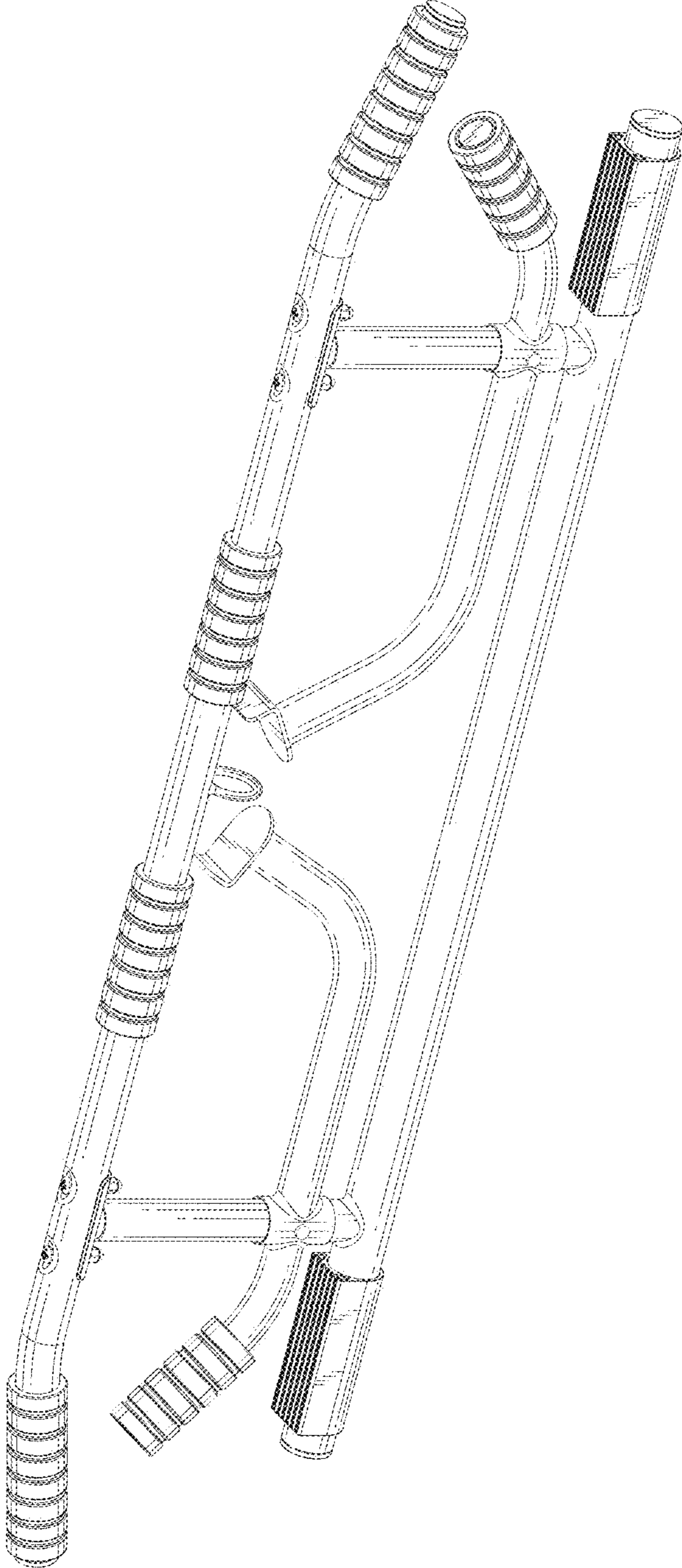


FIG.1

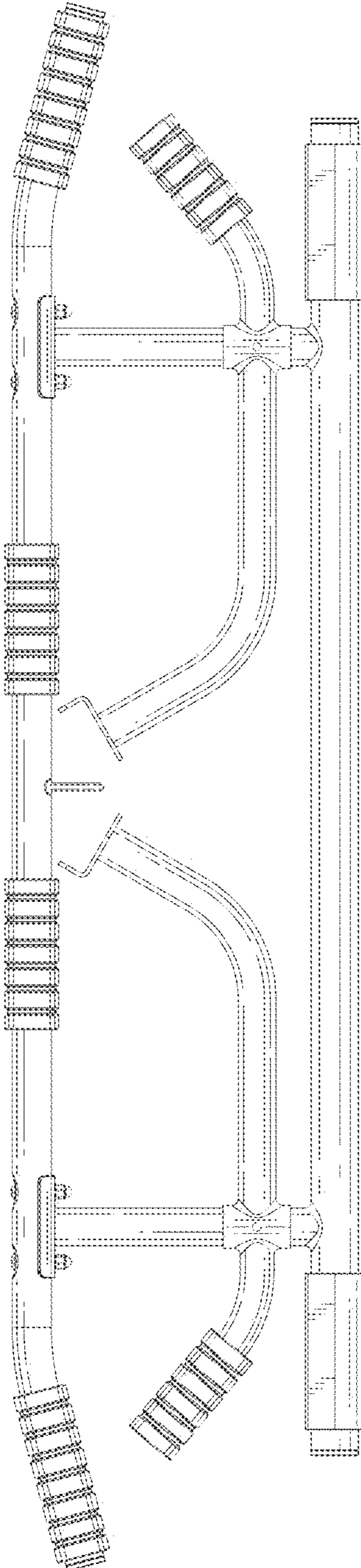


FIG.2

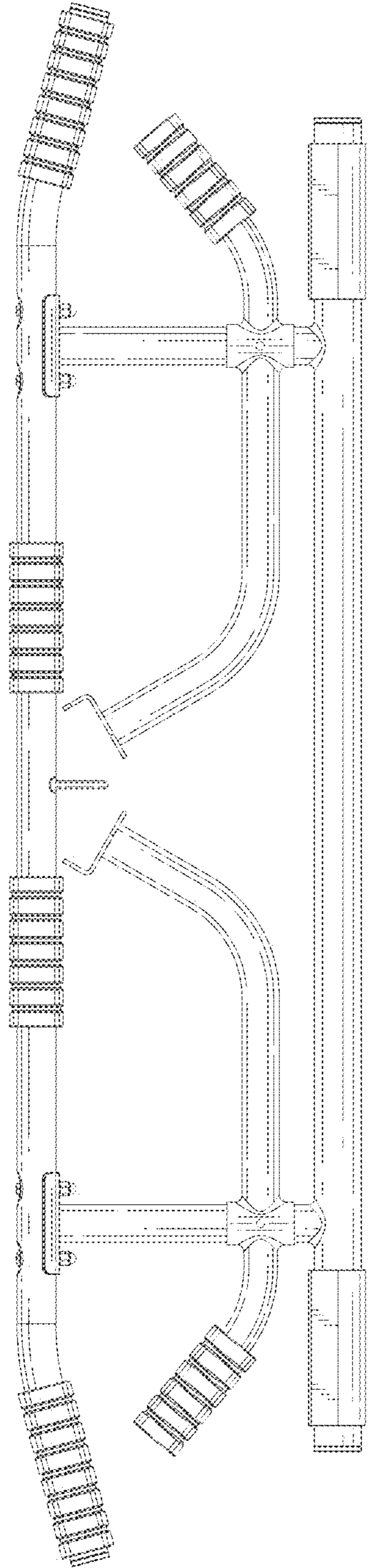
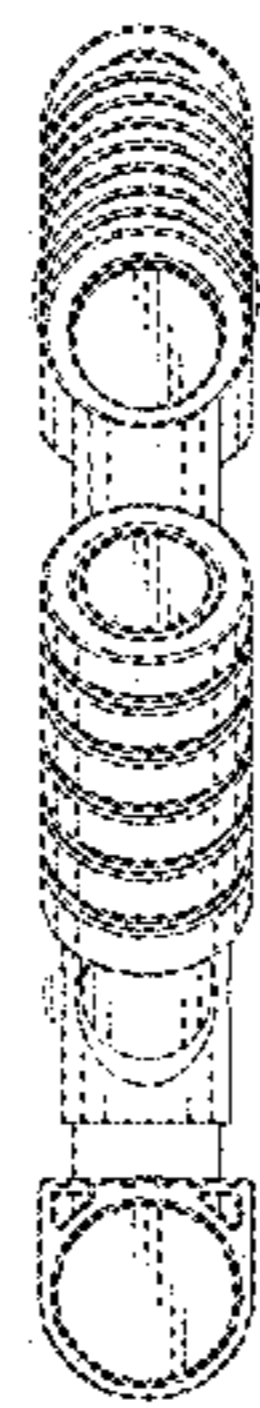


FIG.3



**FIG.4**



**FIG.5**

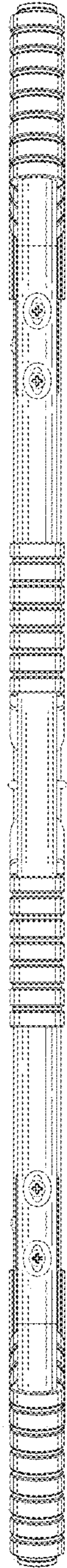


FIG. 6



FIG.7



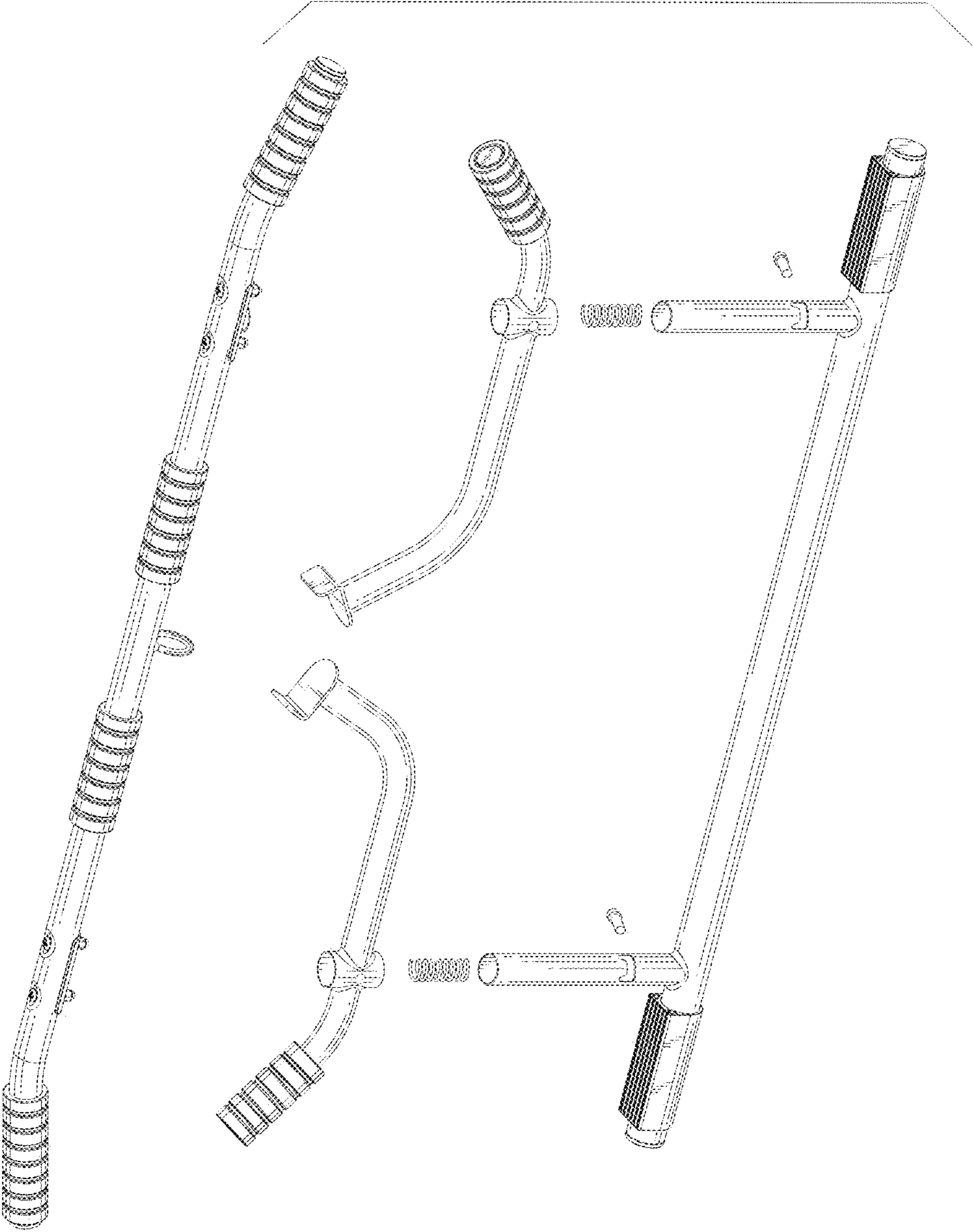


FIG.8